

SmartHSF™ Mobile Modem

**Host-Processed, V.90/K56flex™ Modem Device Set with
CX11250 Host Side Device, CX20463 SmartDAA™, and
Optional CX20437 Voice Codec for PCI Bus/Mini PCI-
Based Mobile Applications**

Data Sheet

Conexant Proprietary Information

Revision History

Revision	Date	Comments
B	7/28/2000	Revision B release.
A	4/19/2000	Initial release.

© 2000, Conexant Systems, Inc.
All Rights Reserved.

Information in this document is provided in connection with Conexant Systems, Inc. ("Conexant") products. These materials are provided by Conexant as a service to its customers and may be used for informational purposes only. Conexant assumes no responsibility for errors or omissions in these materials. Conexant may make changes to specifications and product descriptions at any time, without notice. Conexant makes no commitment to update the information and shall have no responsibility whatsoever for conflicts or incompatibilities arising from future changes to its specifications and product descriptions.

No license, express or implied, by estoppel or otherwise, to any intellectual property rights is granted by this document. Except as provided in Conexant's Terms and Conditions of Sale for such products, Conexant assumes no liability whatsoever.

THESE MATERIALS ARE PROVIDED "AS IS" WITHOUT WARRANTY OF ANY KIND, EITHER EXPRESS OR IMPLIED, RELATING TO SALE AND/OR USE OF CONEXANT PRODUCTS INCLUDING LIABILITY OR WARRANTIES RELATING TO FITNESS FOR A PARTICULAR PURPOSE, CONSEQUENTIAL OR INCIDENTAL DAMAGES, MERCHANTABILITY, OR INFRINGEMENT OF ANY PATENT, COPYRIGHT OR OTHER INTELLECTUAL PROPERTY RIGHT. CONEXANT FURTHER DOES NOT WARRANT THE ACCURACY OR COMPLETENESS OF THE INFORMATION, TEXT, GRAPHICS OR OTHER ITEMS CONTAINED WITHIN THESE MATERIALS. CONEXANT SHALL NOT BE LIABLE FOR ANY SPECIAL, INDIRECT, INCIDENTAL, OR CONSEQUENTIAL DAMAGES, INCLUDING WITHOUT LIMITATION, LOST REVENUES OR LOST PROFITS, WHICH MAY RESULT FROM THE USE OF THESE MATERIALS.

Conexant products are not intended for use in medical, lifesaving or life sustaining applications. Conexant customers using or selling Conexant products for use in such applications do so at their own risk and agree to fully indemnify Conexant for any damages resulting from such improper use or sale.

The following are trademarks of Conexant Systems, Inc.: Conexant™, the Conexant C symbol, "What's Next in Communications Technologies"™, K56flex™, SmartDAA™, and SmartHSF™. Product names or services listed in this publication are for identification purposes only, and may be trademarks of third parties. Third-party brands and names are the property of their respective owners.

For additional disclaimer information, please consult Conexant's Legal Information posted at www.conexant.com, which is incorporated by reference.

Reader Response: Conexant strives to produce quality documentation and welcomes your feedback. Please send comments and suggestions to tech.pubs@conexant.com. For technical questions, contact your local Conexant sales office or field applications engineer.

Contents

REVISION HISTORY	ii
1. INTRODUCTION.....	1-1
1.1 OVERVIEW	1-1
1.2 FEATURES	1-4
1.2.1 General Modem Features	1-4
1.2.2 PCI Bus Host Interface Features	1-5
1.2.3 SmartDAA Features	1-5
1.2.4 Applications.....	1-5
1.3 TECHNICAL OVERVIEW.....	1-5
1.3.1 General Description	1-5
1.3.2 Host Modem Software.....	1-5
1.3.3 Operating Modes.....	1-6
Data/Fax Modes.....	1-6
Synchronous Access Mode - Video Conferencing	1-6
TAM Mode.....	1-6
Voice/Speakerphone Mode (S Models).....	1-6
Personal Digital Cellular High Speed Mode (C Models).....	1-6
PDC Packet Mode (C Models)	1-7
PHS Mode (C Models)	1-7
cdmaOne Data Mode IS95A (C Models).....	1-7
cdmaOne Data Packet Mode IS95B (C Models).....	1-7
GSM Mode (C Models).....	1-7
1.3.4 Reference Design	1-7
1.4 HARDWARE DESCRIPTION	1-7
1.4.1 CX11250 Host Side Device.....	1-7
1.4.2 Digital Isolation Barrier.....	1-8
1.4.3 CX20463 SmartDAA Line Side Device	1-8
1.4.4 CX20437 Voice Codec (S Models)	1-8
2. TECHNICAL SPECIFICATIONS.....	2-1
2.1 ESTABLISHING DATA MODEM CONNECTIONS	2-1
Dialing	2-1
Modem Handshaking Protocol	2-1
Call Progress Tone Detection	2-1
Answer Tone Detection.....	2-1
Ring Detection.....	2-1
Billing Protection	2-1
Connection Speeds.....	2-1
Automode.....	2-1
2.2 DATA MODE	2-1
Speed Buffering (Normal Mode)	2-1
DTE-to-Modem Flow Control.....	2-1
Escape Sequence Detection.....	2-1
GSTN Cleardown (V.90/K56flex, V.34, V.32 bis, V.32).....	2-2
Fall Forward/Fallback (V.90/K56flex, V.34/V.32 bis/V.32)	2-2
Retrain.....	2-2
2.3 ERROR CORRECTION AND DATA COMPRESSION.....	2-2
V.42 Error Correction	2-2
MNP 2-4 Error Correction.....	2-2
V.42 bis Data Compression	2-2
MNP 5 Data Compression	2-2
2.4 FAX CLASS 1 OPERATION.....	2-2

2.5	VOICE/TAM MODE	2-2
2.5.1	Online Voice Command Mode	2-2
2.5.2	Voice Receive Mode	2-3
2.5.3	Voice Transmit Mode	2-3
2.5.4	Speakerphone Modes	2-3
2.6	FULL-DUPLEX SPEAKERPHONE (FDSP) MODE	2-3
2.7	CALLER ID	2-3
2.8	MULTIPLE COUNTRY SUPPORT (W MODELS)	2-3
2.8.1	OEM Programmable Parameters	2-3
2.8.2	Blacklist Parameters	2-4
2.9	DIAGNOSTICS	2-4
2.9.1	Commanded Tests	2-4
2.10	LOW POWER SLEEP MODE	2-4
3.	HARDWARE INTERFACE.....	3-1
3.1	CX11250 HSD HARDWARE PINS AND SIGNALS.....	3-1
3.1.1	HSD Signal Interfaces.....	3-1
	PCI Bus/Mini PCI Host Interface	3-1
	Power Detection and Switching	3-1
	Serial EEPROM Interface.....	3-1
	LSD Interface (Through DIB)	3-2
	VC Interface (S Models).....	3-2
	Telephone Handset Interface (S Models)	3-2
	Call Progress Speaker Interface	3-2
	PDC/PDC packet Interface	3-2
	PHS Interface.....	3-2
	CDMA Interface.....	3-3
	GSM Interface	3-3
3.1.2	HSD Interface Signals, Pin Assignments, and Signal Definitions	3-3
3.2	CX20463 SMARTDAA LSD HARDWARE PINS AND SIGNALS.....	3-16
3.2.1	LSD Signal Interfaces	3-16
	HSD Interface (Through DIB).....	3-16
	Telephone Line Interface	3-16
3.2.2	LSD Interface Signals, Pin Assignments, and Signal Definitions.....	3-16
3.3	CX20437 VC HARDWARE PINS AND SIGNALS (S MODELS)	3-21
3.3.1	VC Signal Interfaces	3-21
	Speakerphone Interface.....	3-21
	Telephone Handset/Headset Interface	3-21
	HSD Interface.....	3-21
3.3.2	VC Interface Signals, Pin Assignments, and Signal Definitions.....	3-21
3.4	ELECTRICAL ENVIRONMENTAL, AND TIMING SPECIFICATIONS	3-27
3.4.1	Operating Conditions, Absolute Maximum Ratings, and Power Requirements	3-27
	Caution: Handling CMOS Devices	3-27
3.4.2	SERIAL EEPROM INTERFACE TIMING	3-29
4.	HOST SOFTWARE INTERFACE	4-1
4.1	PCI CONFIGURATION REGISTERS	4-1
4.1.1	0x00 - Vendor ID Field	4-2
4.1.2	0x02 - Device ID Field.....	4-2
4.1.3	0x04 - Command Register	4-2
4.1.4	0x06 - Status Register.....	4-3
4.1.5	0x08 - Revision ID Field	4-3
4.1.6	0x09 - Class Code Field.....	4-3
4.1.7	0x0D - Latency Timer Register	4-3
4.1.8	0x0E - Header Type Field	4-3
4.1.9	0x28 - CIS Pointer Register	4-3
4.1.10	0x2C - Subsystem Vendor ID Register	4-3
4.1.11	0x2E- Subsystem ID Register	4-4
4.1.12	0x34 - Cap Ptr	4-4
4.1.13	0x3C - Interrupt Line Register	4-4

4.1.14	0x3D - Interrupt Pin Register.....	4-4
4.1.15	0x3E - Min Grant Register.....	4-4
4.1.16	0x3F - Max Latency Register.....	4-4
4.1.17	0x40 - Capability Identifier.....	4-4
4.1.18	0x41 - Next Item Pointer.....	4-4
4.1.19	0x42 - PMC - Power Management Capabilities.....	4-5
4.1.20	0x44 - PMCSR - Power Management Control/Status Register (Offset = 4).....	4-5
4.1.21	0x46 - PMCSR_BSE - PMCSR PCI to PCI Bridge Support Extensions.....	4-6
4.1.22	0x47 - Data.....	4-6
4.2	BASE ADDRESS REGISTER.....	4-6
4.3	SERIAL EEPROM INTERFACE.....	4-7
4.3.1	Supported EEPROM Sizes.....	4-7
4.3.2	Definitions.....	4-8
	Device ID Register.....	4-8
	Vendor ID Register.....	4-8
	Subsystem Vendor ID and Subsystem Device Register.....	4-8
	Min_Gnt Register.....	4-8
	Max_Lat Register.....	4-8
	PMC [8:6] and PME DRV Type.....	4-9
	Class Code Register (Class Code, Sub-class Code, Prog. I/F).....	4-9
	CardBus CIS Pointer (CardBus CIS pointer High, CardBus CIS pointer Low) (Not Used).....	4-9
	Data Scale PMCSR[14:13] (D0C, D1C, D2C, D3C, D0D, D1D, D2D, D3D).....	4-9
	Data Register (D3, D2, D1, D0 power consumed and D3, D2, D1, D0 power dissipated).....	4-9
	Load CISRAM Count (CIS_SIZE) (Not Used).....	4-9
5.	PACKAGE DIMENSIONS.....	5-1

Figures

Figure 1-2. SmartHSF Modem Major Interfaces.....	1-3
Figure 3-1. CX11250 HSD Hardware Interface Signals	3-4
Figure 3-2. CX11250 HSD 100-Pin TQFP Pin Signals.....	3-5
Figure 3-3. CX20463 LSD Hardware Interface Signals.....	3-17
Figure 3-4. CX20463 LSD 32-Pin TQFP Pin Signals	3-17
Figure 3-5. CX20437 VC Hardware Interface Signals	3-22
Figure 3-6. CX20437 VC 32-Pin TQFP Pin Signals	3-22
Figure 3-7. Waveforms - Serial EEPROM Interface	3-29
Figure 5-1. Package Dimensions - 100-Pin TQFP	5-1
Figure 5-2. Package Dimensions - 32-pin TQFP.....	5-2

Tables

Table 1-1. SmartHSF Modem Models and Functions.....	1-2
Table 3-1. CX11250 HSD 100-Pin TQFP Pin Signals	3-6
Table 3-2. CX11250 HSD Pin Signal Definitions	3-9
Table 3-3. Cell Phone/Telephone Line Interface Signals	3-15
Table 3-4. CX20463 LSD 32-Pin TQFP Pin Signals.....	3-18
Table 3-5. CX20463 LSD Pin Signal Definitions	3-19
Table 3-6. CX20463 LSD DC Electrical Characteristics.....	3-20
Table 3-7. CX20437 VC 32-Pin TQFP Pin Signals.....	3-23
Table 3-8. CX20437 VC Pin Signal Definitions	3-24
Table 3-9. CX20437 VC Digital Electrical Characteristics	3-26
Table 3-10. CX20437 VC Analog Electrical Characteristics	3-26
Table 3-11. Operating Conditions.....	3-27
Table 3-12. Absolute Maximum Ratings.....	3-27
Table 3-13. Current and Power Requirements.....	3-28
Table 3-14. Timing - Serial EEPROM Interface.....	3-29
Table 4-1. PCI Configuration Registers.....	4-1
Table 4-2. Command Register	4-2
Table 4-3. Status Register.....	4-3
Table 4-4. Power Management Capabilities (PMC) Register	4-5
Table 4-5. Power Management Control/Status Register (PMCSR).....	4-5
Table 4-6. HSD Address Map.....	4-6
Table 4-7. EEPROM Content for 256 Words by 16 Bits per Word	4-7
Table 4-8. EEPROM Content for 128 Words by 16 Bits per Word	4-7

1. INTRODUCTION

1.1 OVERVIEW

The Conexant™ SmartHSF Host-Processed (SoftK56™) V.90/K56flex™ Modem Device Family with SmartDAA technology supports analog data up to 56 kbps, analog fax to 14.4 kbps, telephone answering machine (TAM), and PCI Bus/Mini PCI host interface operation. In addition, the device set optionally supports cellular phone interface (PDC high speed/PDC packet data, PHS data, CDMA/CDMA Packet data, GSM data) or voice/speakerphone. These modem devices meet the size and power requirements of the mobile environment. Table 1-1 lists the available models.

The modem operates with PSTN telephone lines in the U.S./Japan/Canada and, optionally, worldwide. Optional cellular interface supports Japanese PDC (Personal Digital Cellular) and PHS (Personal Handyphone System) phones, GSM (Global System for Mobile Communications) phones, and cdmaOne (IS-95A/IS-95B) phones. Modem and cellular data protocol software is provided.

Conexant's SmartDAA technology (patent pending) eliminates the need for a costly line transformer, relays, and opto-isolators typically used in discrete DAA (Data Access Arrangement) implementations. The SmartDAA architecture also simplifies product implementation by eliminating the need for country-specific board configurations enabling worldwide homologation of a single modem board design.

The SmartDAA system-powered DAA operates reliably without drawing power from the line, unlike line-powered DAAs which operate poorly when line current is insufficient due to long lines or poor line conditions. Enhanced features, such as monitoring of local extension status without going off-hook, are also supported.

Incorporating Conexant's proprietary Digital Isolation Barrier (DIB) design (patent pending) and other innovative DAA features, such as Digital PBX line protection and reporting, the SmartDAA architecture simplifies application design, minimizes layout area, and reduces component cost.

For over a decade, Conexant has assisted customers with DAA technology and homologation. This expertise and system level approach has been leveraged in this product.

The SmartHSF device set, consisting of a CX11250 Host Side Device (HSD) in a 100-pin TQFP and a CX20463 SmartDAA Line Side Device (LSD) in a 32-pin TQFP, supports data/fax/TAM operation with host software-based digital signal processing and cell phone/DAA/telephone line interface functions.

The optional CX20437 Voice Codec (VC), in a 32-pin TQFP, supports voice/full-duplex speakerphone (FDSP) operation with interfaces to a microphone, speaker, and telephone handset/headset. Because some cellular interface signals and CX20437 VC interface signals share the same CX11250 HSD pins, speakerphone configuration does not support the cellular interface.

The major hardware signal interfaces are identified in Figure 1-1.

In V.90/K56flex data mode, the modem can receive data at speeds up to 56 kbps from a digitally connected V.90 or K56flex-compatible central site modem. In this mode, the modem can transmit data at speeds up to V.34 rates.

In V.34 data mode, the modem operates at line speeds up to 33.6 kbps. When applicable, error correction (V.42/MNP 2-4) and data compression (V.42 bis/MNP 5) maximize data transfer integrity and boost average data throughput. Non-error-correcting mode is also supported.

Fax Group 3 send and receive rates are supported up to 14.4 kbps with T.30 protocol.

V.80 synchronous access mode supports host-controlled communication protocols, e. g., H.324 video conferencing.

Audio recording and playback over the telephone line interface using A-Law, μ -Law, or linear coding at 8 kHz sample rate supports applications such as remote digital telephone answering machine (TAM).

This designer's guide describes the modem hardware capabilities and identifies the supporting commands. Commands and parameters are defined in the Commands Reference Manual (Doc. No. 100498, formerly identified as Doc. No. 1118).

SmartHSF Mobile Modem Data Sheet

Table 1-1. SmartHSF Modem Models and Functions

Model/Order/Part Numbers					Supported Hardware Functions (See Note 3)					
Marketing Name	Device Set Order No.	Host Side Device (HSD) [100-Pin TQFP] Part No.	Line Side Device (LSD) [32-Pin TQFP] Part No.	Voice Codec (VC) [32-Pin TQFP] Part No.	Host Bus	DAA Type	PDC HS/ PDC Packet, PHS, CDMA, GSM	V.90/K56flex Data, V.17 Fax, TAM	World-wide	Voice/ FDSP
SmartHSF/MC-PCI	DS56-L155-111	11250-11	20463-12	—	PCI	US/J/C	Y	Y	—	—
SmartHSF/MS-PCI	DS56-L155-121	11250-11	20463-12	20437-11	PCI	US/J/C	N	Y	—	Y
SmartHSF/MWC-PCI	DS56-L155-131	11250-11	20463-11	—	PCI	WW	Y	Y	Y	—
SmartHSF/MWS-PCI	DS56-L155-141	11250-11	20463-11	20437-11	PCI	WW	N	Y	Y	Y

NOTES:

1. Model options:

- C Cellular
- M Mobile
- S Voice/full-duplex speakerphone (FDSP)
- W Worldwide support including U.S./Japan/Canada
- PCI PCI Bus/Mini PCI interface

2. Supported functions (Y = Supported; – = Not supported):

- TAM Telephone answering machine (Voice playback and record through telephone line)
- FDSP Full-duplex speakerphone and voice playback and record through telephone line, handset, and mic/speaker
- PDC HS Personal Digital Cellular High Speed data
- PDC Packet Personal Digital Cellular Packet data
- PHS Personal Handyphone System
- CDMA Code Division Multiple Access
- GSM Global System for Mobile Communications data

3. Software configuration/functions determined by Device ID programmed into EEPROM (see Section 4.3).

4. For ordering purposes, the CX prefix may not be included in the part number for some devices. Also, the CX prefix may not appear in the part number as branded on some devices.

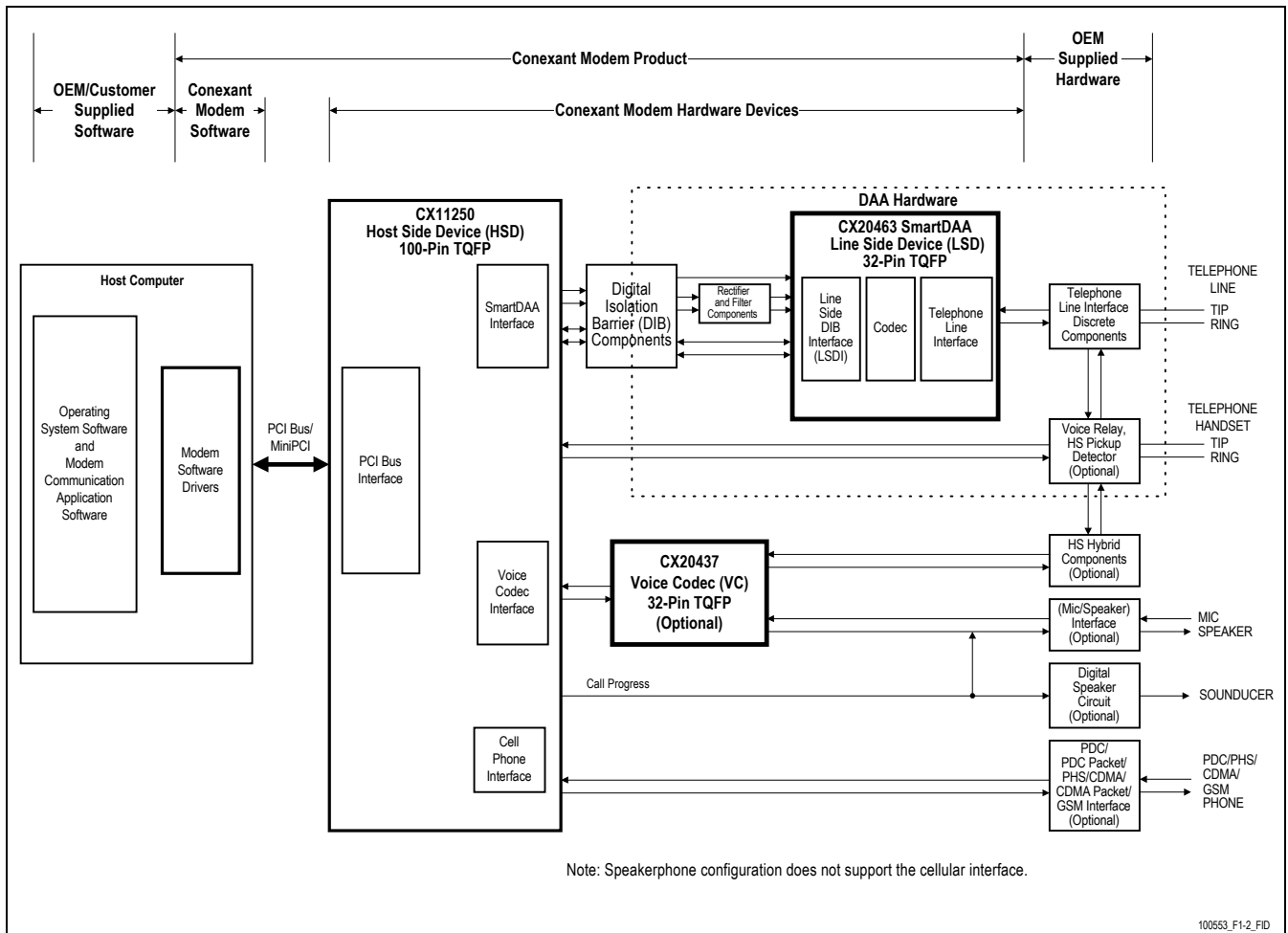


Figure 1-1. SmarHSF Modem Major Interfaces

1.2 FEATURES

1.2.1 General Modem Features

- V.90 data modem with receive rates up to 56k bps and send rates up to V.34 rates
 - ITU-T V.90, K56flex, V.34 (33.6 kbps), V.32 bis, V.32, V.22 bis, V.22, V.23, and V.21; Bell 212A and 103
 - V.42 LAPM and MNP 2-4 error correction
 - V.42 bis and MNP 5 data compression
 - V.250 and V.251 commands
- V.17 fax modem with send and receive rates up to 14.4 kbps
 - V.17, V.29, V.27 ter, and V.21 channel 2
 - EIA/TIA 578 Class 1 and T.31 Class 1.0 commands
- Telephony/TAM
 - V.253 commands
 - 8-bit μ -Law/A-Law coding (G.711)
 - 8-bit/16-bit linear coding
 - 8 kHz sample rate
 - Concurrent DTMF, ring, and Caller ID detection
- V.80 synchronous access mode supports host-controlled communication protocols with H.324 interface support
- V.8/V.8bis and V.251 commands
- Cellular data hardware interface and software support (C models)
 - Protocol stacks for PDC high speed data, PDC packet data, PHS data, CDMA IS-95A/IS-95B data, and GSM data
 - API for customer-provided cellular data protocol stack
- Full-duplex Speakerphone (FDSP) Mode (S models)
 - Microphone and speaker interface
 - Telephone handset/headset interface
- Data/Fax/Voice call discrimination
- Host software/MMX-based digital signal processing
- Single configuration profile stored in host
- Operates in U.S./Japan/Canada
- Worldwide operation including U.S./Japan/Canada (W models)
 - Complies to TBR21 and other country requirements
 - Caller ID detection
- System compatibility
 - Windows 95/98, Windows NT 4.0, Windows 2000, and Windows Millennium (Windows Me) operating systems
 - Microsoft/Intel PC 99 Windows Hardware Designer's Guide-compliant
 - Advanced Configuration and Power Interface (ACPI)
 - Unimodem/V compliant
 - Pentium 166 MHz MMX-compatible PC or greater
 - 16 Mbyte RAM or more
- Thin packages support low profile designs
 - CX11250 HSD: 100-pin TQFP (1.2 mm max. height)
 - CX20463 LSD: 32-pin TQFP (1.6 mm max. height)
 - CX20437 VC: 32-pin TQFP (1.6 mm max. height)
- +3.3V operation with +5V tolerant digital inputs

1.2.2 PCI Bus Host Interface Features

- 32-bit PCI Bus host interface
 - Meets PCI Local Bus Specification Rev. 2.2
 - PCI Bus Mastering interface
 - 33 MHz PCI clock support
- Supports Power Management
 - Meets PCI Bus Power Management Spec. Rev. 1.1
 - ACPI Power Management Registers
 - APM support
 - PME# support
 - Vaux/Vpci power switching support (-PCI model option)
 - VauxDET support

1.2.3 SmartDAA Features

- Digital PBX line protection
- System side powered DAA operates under poor line current supply conditions
- Wake-on-ring
- Ring detection
- Line polarity reversal detection
- Line current loss detection
- Caller ID (CID) detect
- Pulse dialing
- Line-in-use detection – detects even while on-hook
- Remote hang-up detect – for efficient call termination
- Extension pickup detect
- Call waiting detection
- Meets worldwide DC VI Masks requirements (W models)

1.2.4 Applications

- Laptop, notebook, and handheld computers
- PCI Bus/Mini PCI embedded system boards
- PCI Bus/Mini PCI plug-in cards

1.3 TECHNICAL OVERVIEW

1.3.1 General Description

Modem operation, including dialing, call progress, telephone line interface, telephone handset interface, PDC High Speed/GSM interface, voice/speakerphone interface, and host interface functions are supported and controlled through the V.250, V.251, and V.253-compatible command set.

The modem hardware connects to the host processor via a PCI/Mini PCI bus interface. The OEM adds a crystal circuit, EEPROM, DIB and LSD power rectifier and filter components, telephone line interface, optional telephone handset interface, optional PDC high speed/GSM interface, optional voice/speakerphone interface, and other supporting discrete components as required by the modem model and the application to complete the system.

1.3.2 Host Modem Software

The host modem software performs the following tasks:

1. General modem control, which includes command sets, fax Class 1, TAM, voice/speakerphone, error correction, data compression, GSM protocol stacks, PDC high speed data protocol stacks and phone drivers, and operating system interface functions.
2. Modem data pump signal processing, which includes data and facsimile modulation and demodulation, as well as voice sample formatting, is performed by the host processor using Conexant SoftK56 technology.
3. SmartDAA control, which includes HSD SmartDAA Interface control, LSD configuration and control, telephone line interface parameter control, and telephone line impedance control.

Configurations of the modem software are provided to support modem models listed in Table 1-1.

1.3.3 Operating Modes

Data/Fax Modes

In V.90/K56flex data modem mode, the modem can receive data from a digital source using a V.90- or K56flex-compatible central site modem at line speeds up to 56 kbps. Asymmetrical data transmission supports sending data at line speeds up to V.34 rates. This mode can fallback to full-duplex V.34 mode, and to lower rates, as dictated by line conditions.

In V.34 data modem mode, the modem can operate in 2-wire, full-duplex, asynchronous modes at line rates up to 33.6 kbps. Data modem modes perform complete handshake and data rate negotiations. Using V.34 modulation to optimize modem configuration for line conditions, the modem can connect at the highest data rate that the channel can support from 33600 bps down to 2400 bps with automatic fallback. Automode operation in V.34 is provided in accordance with PN3320 and in V.32 bis in accordance with PN2330. All tone and pattern detection functions required by the applicable ITU or Bell standard are supported.

In V.32 bis data modem mode, the modem can operate at line speeds up to 14.4 kbps.

In fax modem mode, the modem can operate in 2-wire, half-duplex, synchronous modes and can support Group 3 facsimile send and receive speeds of 14400, 12000, 9600, 7200, 4800, and 2400 bps. Fax data transmission and reception performed by the modem are controlled and monitored through the EIA/TIA-578 Class 1 or T.31 Class 1.0 command interface. Full HDLC formatting, zero insertion/deletion, and CRC generation/checking are provided.

Synchronous Access Mode - Video Conferencing

V.80 Synchronous Access Mode (SAM) between the modem and the host/DTE is provided for host-controlled communication protocols, e.g., H.324 video conferencing applications.

Voice-call-first (VCF) before switching to a videophone call is also supported.

TAM Mode

TAM Mode features include 8-bit μ -Law, A-Law, and linear coding at 8 kHz sample rate. Full-duplex voice supports concurrent voice receive and transmit. Tone detection/generation, call discrimination, and concurrent DTMF detection are also supported. This mode supports applications such as digital TAM, voice annotation, and recording from and playback to the telephone line. ADPCM (4-bit IMA) coding is also supported to meet Microsoft WHQL logo requirements.

TAM Mode is supported by three submodes:

1. Online Voice Command Mode supports connection to the telephone line or, for S models, a microphone/speaker/handset/headset.
2. Voice Receive Mode supports recording voice or audio data input from the telephone line or, for S models, a microphone/handset/headset.
3. Voice Transmit Mode supports playback of voice or audio data to the telephone line or, for S models, a speaker/handset/headset.

Voice/Speakerphone Mode (S Models)

The S models include additional telephone handset, external microphone, and external speaker interfaces which support voice and full-duplex speakerphone (FDSP) operation.

Hands-free full-duplex telephone operation is supported in Speakerphone Mode under host control. Speakerphone Mode features an advanced proprietary speakerphone algorithm which supports full-duplex voice conversation with acoustic, line, and handset echo cancellation. Parameters are constantly adjusted to maintain stability with automatic fallback from full-duplex to pseudo-duplex operation. The speakerphone algorithm allows position independent placement of microphone and speaker. The host can separately control volume, muting, and AGC in microphone and speaker channels.

NOTE: Because some cellular interface signals and CX20437 VC interface signals share the same CX11250 HSD pins, speakerphone configuration does not support the cellular interface.

Personal Digital Cellular High Speed Mode (C Models)

Personal Digital Cellular (PDC) High Speed Mode, implemented in host software, includes V.42 bis data compression and ARQ framing. A pass-through mode is also available to allow phone book data to be transferred to and from the PC at speeds up to 9600 bps (e.g., for editing on the PC). PDC High Speed Mode is enabled by the +WS46=20 and +CPDCM=2 AT commands and disabled by the +WS46=1 AT command.

PDC Packet Mode (C Models)

PDC Packet Mode, implemented in host software as an optional mode of PDC, enables packet-based data communications at 28.8 kbps. PDC Packet Data Mode is enabled by the +WS46=20 and +CPDCM=3 AT commands and disabled by the +WS46=1 AT command.

PHS Mode (C Models)

PHS Data Mode is implemented in host software and supports a data rate of 32 kbps. PHS uses the PIAFS protocol stack. PHS Data Mode is enabled by the +WS46=26 AT command and disabled by the +WS46=1 AT command.

cdmaOne Data Mode IS95A (C Models)

cdmaOne Data Mode is implemented in host software and supports data rates of 9.6 kbps and 14.4 kbps. cdmaOne Data Mode is enabled by the +WS46=13 AT command and disabled by the +WS46=1 AT command.

cdmaOne Data Packet Mode IS95B (C Models)

cdmaOne Data Packet Mode is implemented in host software and supports a data rate of 64 kbps. cdmaOne Data Packet Mode is enabled by the +WS46=13 AT command and disabled by the +WS46=1 AT command.

GSM Mode (C Models)

GSM Mode, implemented in host software, supports data and fax transfer. The supported features include:

- Data modem
 - V.21, V.23, V.22, V.22 bis, V.32
 - ISDN interoperability: 300 bps to 9600 bps
- Transparent asynchronous mode up to 9600 bps
- Non-transparent mode (RLP) up to 9600 bps
- Fax modem send and receive rate up to 9600 bps
- AT GSM commands (ETSI 07.07)
- GSM direct connect
- Driver interface for OEM-provided phone driver
- Built-in parallel host (16550A UART) interface

GSM mode is enabled by the +WS46=12 AT command and disabled by the +WS46=1 AT command.

1.3.4 Reference Design

A Mini PCI Type IIIB data/fax/TAM reference design board is available to minimize application design time and costs.

The board is pretested to pass FCC Part 15, Part 68, and CTR 21 for immediate manufacturing.

A design package for the board is available in electronic form. The design package includes schematics, bill of materials (BOM), vendor parts list (VPL), board layout files in Gerber format, and complete documentation.

The design can also be used for the basis of a custom design by the OEM to accelerate design completion for rapid market entry.

1.4 HARDWARE DESCRIPTION

SmartDAA™ technology (patent pending) eliminates the need for a costly analog transformer, relays, and opto-isolators that are typically used in discrete DAA implementations. The programmable SmartDAA architecture simplifies product implementation in worldwide markets by eliminating the need for country-specific components.

1.4.1 CX11250 Host Side Device

The CX11250 Host Side Device (HSD), packaged in a 100-pin TQFP, includes a PCI/Mini PCI Interface and a SmartDAA Interface.

The PCI/Mini PCI interface connects directly to an embedded or external PCI/Mini PCI interface eliminating the need for additional external logic components.

The SmartDAA Interface communicates with, and supplies power and clock to, the LSD through the DIB.

1.4.2 Digital Isolation Barrier

The OEM-supplied Digital Isolation Barrier (DIB) electrically DC isolates the HSD from the LSD and telephone line. The HSD is connected to a fixed digital ground and operates with standard CMOS logic levels. The LSD is connected to a floating ground and can tolerate high voltage input (compatible with telephone line and typical surge requirements).

The DIB transformer couples power and clock from the HSD to the LSD. (See Mobile Product Updates for qualified transformers.)

The DIB data channel supports bidirectional half-duplex serial transfer of data, control, and status information between the HSD and the LSD.

1.4.3 CX20463 SmartDAA Line Side Device

The CX20463 SmartDAA Line Side Device (LSD) includes a Line Side DIB Interface (LSDI), a coder/decoder (codec), and a Telephone Line Interface (TLI).

The LSDI communicates with, and receives power and clock from, the SmartDAA interface in the HSD through the DIB.

LSD power is received from the HSD PWRCLKP and PWRCLKN pins via the DIB through a half-wave rectifying diode and capacitive power filter circuit connected to the DIB transformer secondary winding. The CLK input is also coupled from the transformer secondary winding through a capacitor and a resistor in series.

Information is transferred between the LSD and the HSD through the DIB_P and DIB_N pins. These pins connect to the HSD DIB_DATAP and DIB_DATAN pins, respectively, through the DIB.

The TLI integrates DAA and direct telephone line interface functions and connects directly to the line TIP and RING pins, as well as to external line protection components.

Direct LSD connection to TIP and RING allows real-time measurement of telephone line parameters, such as the telephone central office (CO) battery voltage, individual telephone line (copper wire) resistance, and allows dynamic regulation of the off-hook TIP and RING voltage and total current drawn from the central office (CO). This allows the modem to maintain compliance with U.S. and worldwide regulations and to actively control the DAA power dissipation.

1.4.4 CX20437 Voice Codec (S Models)

The optional CX20437 Voice Codec (VC), packaged in a 32-pin TQFP, supports voice/full-duplex speakerphone (FDSP) operation with interfaces to a microphone and speaker and to a telephone handset/headset.

2. TECHNICAL SPECIFICATIONS

2.1 ESTABLISHING DATA MODEM CONNECTIONS

Dialing

DTMF Dialing. DTMF dialing using DTMF tone pairs is supported in accordance with ITU-T Q.23. The transmit tone level complies with Bell Publication 47001.

Pulse Dialing. Pulse dialing is supported in accordance with EIA/TIA-496-A.

Blind Dialing. The modem can blind dial in the absence of a dial tone if enabled by the X0, X1, or X3 command.

Modem Handshaking Protocol

If a tone is not detected within the time specified in the S7 register after the last digit is dialed, the modem aborts the call attempt.

Call Progress Tone Detection

Ringback, equipment busy, and progress tones can be detected in accordance with the applicable standard represented by the country profile currently in affect.

Answer Tone Detection

Answer tone can be detected over the frequency range of 2100 ± 40 Hz in ITU-T modes and 2225 ± 40 Hz in Bell modes.

Ring Detection

A ring signal can be detected from a TTL-compatible square wave input (frequency is country-dependent).

Billing Protection

When the modem goes off-hook to answer an incoming call, both transmission and reception of data are prevented for a period of time determined by country requirement to allow transmission of the billing signal.

Connection Speeds

Data modem line speed can be selected using the +MS command in accordance with V.25 ter. The +MS command selects modulation, enables/disables automode, and selects transmit and receive minimum and maximum line speeds.

Automode

Automode detection can be enabled by the +MS command to allow the modem to connect to a remote modem in accordance with V.25 ter.

2.2 DATA MODE

Data mode exists when a telephone line connection has been established between modems and all handshaking has been completed.

Speed Buffering (Normal Mode)

Speed buffering allows a DTE to send data to, and receive data from, a modem at a speed different than the line speed. The modem supports speed buffering at all line speeds.

DTE-to-Modem Flow Control

If the modem-to-line speed is less than the DTE-to-modem speed, the modem supports XOFF/XON or RTS/CTS flow control with the DTE to ensure data integrity.

Escape Sequence Detection

The “+++” escape sequence can be used to return control to the command mode from the data mode. Escape sequence detection is disabled by an S2 Register value greater than 127.

GSTN Cleardown (V.90/K56flex, V.34, V.32 bis, V.32)

Upon receiving GSTN Cleardown from the remote modem in a non-error correcting mode, the modem cleanly terminates the call.

Fall Forward/Fallback (V.90/K56flex, V.34/V.32 bis/V.32)

During initial handshake, the modem will fallback to the optimal line connection within K56flex/V.34/V.32 bis/V.32 mode depending upon signal quality if automode is enabled by the +MS command.

When connected in V.90/K56flex/V.34/V.32 bis/V.32 mode, the modem will fall forward or fallback to the optimal line speed within the current modulation depending upon signal quality if fall forward/fallback is enabled by the %E1 command.

Retrain

The modem may lose synchronization with the received line signal under poor line conditions. If this occurs, retraining may be initiated to attempt recovery depending on the type of connection.

The modem initiates a retrain if line quality becomes unacceptable if enabled by the %E command. The modem continues to retrain until an acceptable connection is achieved, or until 30 seconds elapse resulting in line disconnect.

2.3 ERROR CORRECTION AND DATA COMPRESSION

V.42 Error Correction

V.42 supports two methods of error correction: LAPM and, as a fallback, MNP 4. The modem provides a detection and negotiation technique for determining and establishing the best method of error correction between two modems.

MNP 2-4 Error Correction

MNP 2-4 is a data link protocol that uses error correction algorithms to ensure data integrity. Supporting stream mode, the modem sends data frames in varying lengths depending on the amount of time between characters coming from the DTE.

V.42 bis Data Compression

V.42 bis data compression mode operates when a LAPM or MNP connection is established.

The V.42 bis data compression employs a “string learning” algorithm in which a string of characters from the DTE is encoded as a fixed length codeword. Two dictionaries, dynamically updated during normal operation, are used to store the strings.

MNP 5 Data Compression

MNP 5 data compression mode operates during an MNP connection.

In MNP 5, the modem increases its throughput by compressing data into tokens before transmitting it to the remote modem, and by decompressing encoded received data before sending it to the DTE.

2.4 FAX CLASS 1 OPERATION

Facsimile functions operate in response to Fax Class 1 commands when +FCLASS=1 or +FCLASS=1.0.

In the fax mode, the on-line behavior of the modem is different from the data (non-fax) mode. After dialing, modem operation is controlled by fax commands. Some AT commands are still valid but may operate differently than in data modem mode.

Calling tone is generated in accordance with T.30.

2.5 VOICE/TAM MODE

Voice and audio functions are supported by the Voice Mode. Voice Mode includes three submodes: Online Voice Command Mode, Voice Receive Mode, and Voice Transmit Mode.

2.5.1 Online Voice Command Mode

This mode results from the connection to the telephone line or a voice/audio I/O device (e.g., microphone or speaker) through the use of the +FCLASS=8 and +VLS commands. After mode entry, AT commands can be entered without aborting the connection.

2.5.2 Voice Receive Mode

This mode is entered when the +VRX command is active in order to record voice or audio data input, typically from a microphone or the telephone line.

Received analog voice samples are converted to digital form and compressed for reading by the host. AT commands control the codec sample rate.

Received analog mono audio samples are converted to digital form and formatted into 8-bit μ -Law, A Law, linear, or 4-bit IMA ADPCM format for reading by the host. AT commands control the bit length and sampling rate. Concurrent DTMF/tone detection is available.

2.5.3 Voice Transmit Mode

This mode is entered when the +VTX command is active in order to playback voice or audio data, typically to a speaker or to the telephone line. Concurrent DTMF/tone detection is available. Digitized audio data is converted to analog form.

2.5.4 Speakerphone Modes

Speakerphone modes are selected in voice mode with the following commands:

Speakerphone ON/OFF (+VSP). This command turns the Speakerphone function ON (+VSP = 1) or OFF (+VSP = 0).

Microphone Gain (+VGM=<gain>). This command sets the microphone gain of the Speakerphone function.

Speaker Gain (+VGS=<gain>). This command sets the speaker gain of the Speakerphone function.

2.6 FULL-DUPLEX SPEAKERPHONE (FDSP) MODE

The modem operates in FDSP mode when +FCLASS=8 and +VSP=1 (see 2.5.4).

In FDSP Mode, speech from a microphone or handset is converted to digital form, shaped, and output to the telephone line through the line interface circuit. Speech received from the telephone line is shaped, converted to analog form, and output to the speaker or handset. Shaping includes both acoustic and line echo cancellation.

2.7 CALLER ID

Caller ID can be enabled/disabled using the +VCID command. When enabled, caller ID information (date, time, caller code, and name) can be passed to the DTE in formatted or unformatted form. Inquiry support allows the current caller ID mode and mode capabilities of the modem to be retrieved from the modem. The retrieval of the Caller ID via an explicit AT query at a later time is essential for implementing a compliant "Instantly available PC" concept.

2.8 MULTIPLE COUNTRY SUPPORT (W MODELS)

W models support modem operation in various countries. The country choice is made via the AT+GCI command or country select applet from within those installed in Windows registry. The following capabilities are provided in addition to the data modem functions previously described. Country dependent parameters are included in the .INF file for customization by the OEM Programmable Parameters

2.8.1 OEM Programmable Parameters

The following parameters are programmable:

- Dial tone detection levels and frequency ranges
- DTMF dialing transmit output level, DTMF signal duration, and DTMF interdigit interval parameters
- Pulse dialing parameters such as make/break times, set/clear times, and dial codes
- Ring detection frequency range
- Blind dialing disable/enable
- The maximum, minimum, and default carrier transmit level values
- Calling tone, generated in accordance with V.25, may also be disabled
- Call progress frequency and tone cadence for busy, ringback, congested, dial tone 1, and dial tone 2
- Answer tone detection period
- On-hook/off-hook, make/break, and set/clear relay control parameters

2.8.2 Blacklist Parameters

The modem can operate in accordance with requirements of individual countries to prevent misuse of the network by limiting repeated calls to the same number when previous call attempts have failed. Call failure can be detected for reasons such as no dial tone, number busy, no answer, no ringback detected, voice (rather than modem) detected, and key abort (dial attempt aborted by user). Actions resulting from such failures can include specification of minimum inter-call delay, extended delay between calls, and maximum numbers of retries before the number is permanently forbidden ("blacklisted"). Up to 20 such numbers may be tabulated. The blacklist parameters are programmable. The current blacklisted and delayed numbers can be queried via AT*B and AT*D commands, respectively.

2.9 DIAGNOSTICS

2.9.1 Commanded Tests

Diagnostics are performed in response to the &T1 command per V.54.

Analog Loopback (&T1 Command). Data from the local DTE is sent to the modem, which loops the data back to the local DTE.

Last Call Status Report (#UD). This command reports the status of the last call.

2.10 LOW POWER SLEEP MODE

When not connected in data, fax, or speakerphone mode, the HSD is placed in a low power state, i.e., Idle Mode.

3. HARDWARE INTERFACE

3.1 CX11250 HSD HARDWARE PINS AND SIGNALS

3.1.1 HSD Signal Interfaces

PCI Bus/Mini PCI Host Interface

The Host Side Device conforms to the PCI Local Bus Specification Version 2.2 and Mini PCI Specification Draft 1.0. It is a memory slave and a bus master for PC host memory accesses (burst transactions). Configuration is by PCI configuration protocol.

The PCI Bus/Mini PCI interface signals are:

- Address and data
 - 32 bidirectional Address/Data (AD[31-0]); bidirectional
 - 4 Bus Command and Byte Enable (CBE [3:0]); bidirectional
 - Bidirectional Parity (PAR); bidirectional
- Interface control
 - Cycle Frame (FRAME#); bidirectional
 - Initiator Ready (IRDY#); bidirectional
 - Target Ready (TRDY#); bidirectional
 - Stop (STOP#); bidirectional
 - Initialization Device Select (IDSEL); input
 - Device Select (DEVSEL#); bidirectional
- Arbitration
 - Request (REQ#); output
 - Grant (GRANT#); input
- Error reporting
 - Parity Error (PERR#); bidirectional
 - System Error (SERR#); bidirectional
- Interrupt
 - Interrupt A (INTA#); output
- System
 - Clock (PCICLK); input
 - Reset (PCIRST#); input
 - Clock Running (CLKRUN#); input
 - Power Management Event (PME#), output

Power Detection and Switching

- Vaux Enable (VauxEN#); output
- Vpci Enable (VpciEN#); output
- Vpci Detect (VpciDET); input
- Vaux Detect (VauxDET); input

Serial EEPROM Interface

A serial EEPROM is required to store the Device ID, Vendor ID, Subsystem ID, Subsystem Vendor ID, and Power Management parameters for the PCI Configuration Space Header.

The EEPROM must be 2048 (128 x 16) bits or larger and be rated at 1MHz (SROMCLK is 537.6 kHz). For example, the following EEPROMs or equivalent may be used: Microchip 93LC66B (256 x 16), 93LC56B (128 x 16), Atmel AT93C66 (256 x 16), AT93C56 (128 x 16). The EEPROM is programmable by the PC via the modem.

The EEPROM interface signals are:

- Serial Data Input (SROMIN); input
- Serial Data Output (SROMOUT); output
- Clock (SROMCLK); output
- Chip Select (SROMCS); output

LSD Interface (Through DIB)

The DIB interface signals are:

- Clock and Power Positive (PWRCLKP); output
- Clock and Power Negative (PWRCLKN); output
- Data Positive (DIB_DATAP); input/output
- Data Negative (DIB_DATAN); input/output

VC Interface (S Models)

The VC interface signals are:

- Modem Sleep (IASLEEP); output
- Master Clock (M_CLK); output
- Voice Serial Clock (V_SCLK); input
- Voice Serial Control (V_CTRL); output
- Voice Serial Frame Sync (V_STROBE); input
- Voice Serial Transmit Data (V_TXSIN); output
- Voice Serial Receive Data (V_RXOUT); input

Telephone Handset Interface (S Models)

The telephone handset interface signals are:

- Voice Relay Control (VOICE#); output
- Handset Pickup Detect (H_PICKUP); input

Call Progress Speaker Interface

The call progress speaker interface signal is:

- Digital speaker output (DSPKOUT); output

DSPKOUT is a square wave output in Data/Fax mode used for call progress or carrier monitoring. This output can be optionally connected to a low-cost on-board speaker, e.g., a sounducer, or to an analog speaker circuit.

PDC/PDC packet Interface

Nine lines, defined by the installed cell phone driver software, are available to support the PDC/PDC packet cellular phone interface:

- Panel 1
- Panel 2
- ADP
- CELL_RXD
- CELL_TXD
- TCH_CLK
- TCH_TX
- TCH_RX
- TCH_FRAME

PHS Interface

Eleven lines, defined by the installed cell phone driver software, are available to support the PHS cellular phone interface.

- ASLP
- PSLP
- DFCK
- Ready
- DSDT
- USDT
- BITC
- UDT
- DDT
- UFCK

CDMA Interface

Twelve lines, defined by the installed cell phone driver software, are available to support the CDMA cellular phone interface:

- Panel 1
- Panel 2
- CB
- CF
- CJ
- CC
- CE
- CD
- Control RXD
- Control TXD
- BB (USART IN)
- BA (USART OUT)

GSM Interface

Five lines, defined by the installed cell phone driver software, are available to support the GSM phone interface:

- DA(IN)
- RX-A
- TX-A
- TX-A
- RX2-B USART
- TX2-B USART

3.1.2 HSD Interface Signals, Pin Assignments, and Signal Definitions

The CX11250 HSD 100-pin TQFP hardware interface signals are shown by major interface in Figure 3-1, are shown by pin number in Figure 3-2, and are listed by pin number in Table 3-1.

The CX11250 HSD hardware interface signals are defined in Table 3-2.

Cell phone/telephone line interface signal assignments are listed in Table 3-3.

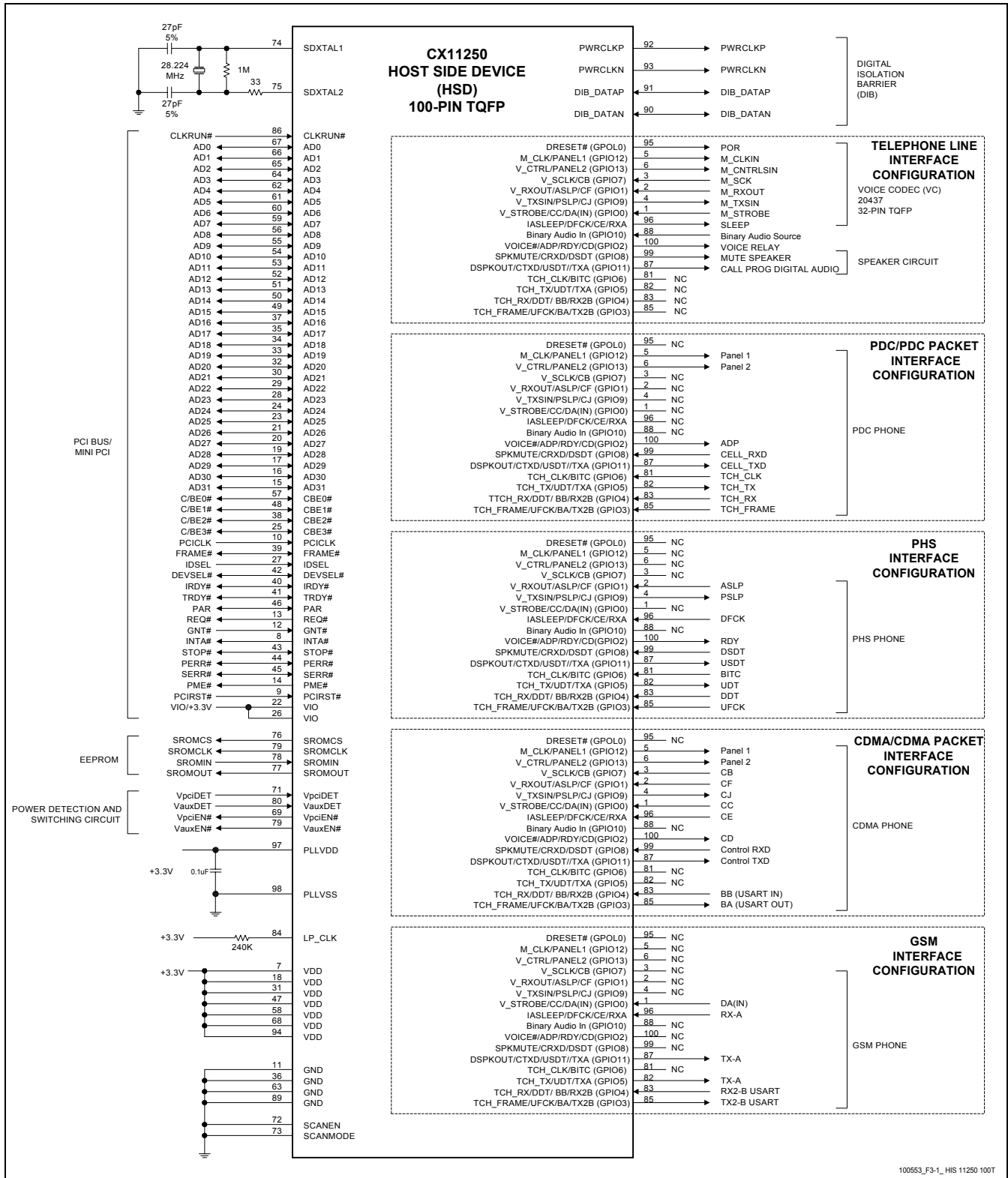
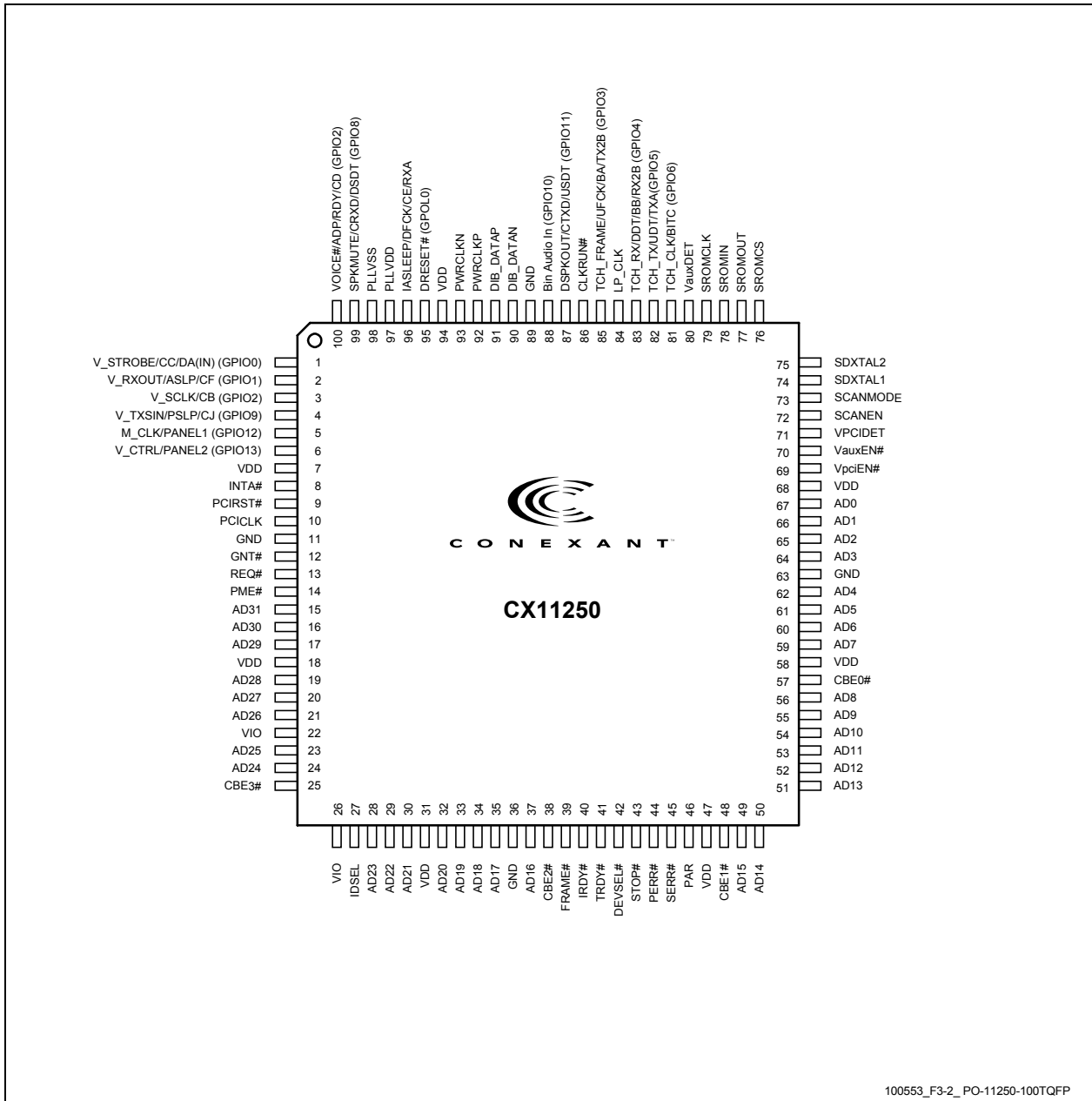


Figure 3-1. CX11250 HSD Hardware Interface Signals

100553_F3-1_HIS 11250 100T



100553_F3-2_PO-11250-100TQFP

Figure 3-2. CX11250 HSD 100-Pin TQFP Pin Signals

SmartHSF Mobile Modem Data Sheet

Table 3-1. CX11250 HSD 100-Pin TQFP Pin Signals

Pin	Signal Label	I/O Type	Interface	Pin	Signal Label	I/O Type	Interface
1	V_STROBE/ CC/ DA(IN) (GPIO0)	Itpd	Telephone Line: VC M_STROBE CDMA Phone: CC GSM Phone: DA(IN)	51	AD13	I/Opts	PCI Bus: AD13
2	V_RXOUT/ ASLP/ CF (GPIO1)	ltk	Telephone Line: VC M_RXOUT PHS Phone: ASLP CDMA Phone: CF	52	AD12	I/Opts	PCI Bus: AD12
3	V_SCLK/ CB (GPIO2)	Itpd	Telephone Line: VC M_SCK CDMA Phone: CB	53	AD11	I/Opts	PCI Bus: AD11
4	V_TXSIN/ PSLP/ CJ (GPIO9)	Ot2	Telephone Line: VC M_TXSIN PHS Phone: PSLP CDMA Phone: CJ	54	AD10	I/Opts	PCI Bus: AD10
5	M_CLK/ PANEL1 (GPIO12)	Ot2	VC Telephone Line: VC M_CLKIN PDC Phone: Panel 1 CDMA Phone: Panel 1	55	AD9	I/Opts	PCI Bus: AD9
6	V_CTRL/ PANEL2 (GPIO13)	Ot2	Telephone Line: VC M_CNTRLSIN PDC Phone: Panel 2 CDMA Phone: Panel 2	56	AD8	I/Opts	PCI Bus: AD8
7	VDD	PWR	+3.3V	57	CBE0#	I/Opts	PCI Bus: CBE0#
8	INTA#	Opod	PCI Bus: INTA#	58	VDD	PWR	+3.3V
9	PCIRST#	lp	PCI Bus: PCIRST#	59	AD7	I/Opts	PCI Bus: AD7
10	PCICLK	lp	PCI Bus: PCICLK	60	AD6	I/Opts	PCI Bus: AD6
11	GND	GND	GND	61	AD5	I/Opts	PCI Bus: AD5
12	GNT#	lpts	PCI Bus: GNT#	62	AD4	I/Opts	PCI Bus: AD4
13	REQ#	Opts	PCI Bus: REQ#	63	GND	GND	GND
14	PME#	Opod	PCI Bus: PME#	64	AD3	I/Opts	PCI Bus: AD3
15	AD31	I/Opts	PCI Bus: AD31	65	AD2	I/Opts	PCI Bus: AD2
16	AD30	I/Opts	PCI Bus: AD30	66	AD1	I/Opts	PCI Bus: AD1
17	AD29	I/Opts	PCI Bus: AD29	67	AD0	I/Opts	PCI Bus: AD0
18	VDD	PWR	+3.3V	68	VDD	PWR	+3.3V
19	AD28	I/Opts	PCI Bus: AD28	69	VpciEN#	Ot2	Pwr Detection/Switching Ckt
20	AD27	I/Opts	PCI Bus: AD27	70	VauxEN#	Ot2	Pwr Detection/Switching Ckt
21	AD26	I/Opts	PCI Bus: AD26	71	VpciDET	Itpd	Pwr Detection/Switching Ckt
22	VIO	PWR	PCI Bus: VIO or +3.3V	72	SCANEN	Itpd	GND
23	AD25	I/Opts	PCI Bus: AD25	73	SCANMODE	Itpd	GND
24	AD24	I/Opts	PCI Bus: AD24	74	SDXTAL1	lx	Crystal or Clock Circuit
25	CBE3#	I/Opts	PCI Bus: CBE3#	75	SDXTAL2	Ox	Crystal or NC (if SDXTAL1 connected to Clock Circuit)
26	VIO	PWR	PCI Bus: VIO or +3.3V	76	SROMCS	Ot2	SROM: Chip Select (CS)
27	IDSEL	lp	PCI Bus: IDSEL	77	SROMOUT	Ot2	SROM: Data In (DI)
28	AD23	I/Opts	PCI Bus: AD23	78	SROMIN	Itpu	SROM: Data Out (DO)
29	AD22	I/Opts	PCI Bus: AD22	79	SROMCLK	Ot2	SROM: Clock (SK)
30	AD21	I/Opts	PCI Bus: AD21	80	VauxDET	Itpd	Pwr Detection/Switching Ckt
31	VDD	PWR	+3.3V	81	TCH_CLK/ BITC (GPIO6)	Itpu/Ot12	PDC Phone: TCH_CLK PHS Phone: BITC
32	AD20	I/Opts	PCI Bus: AD20	82	TCH_TX/ UDT/ TXA (GPIO5)	Itpu/Ot12	PDC Phone: TCH_TX K PHS Phone: UDT GSM Phone: TXA
33	AD19	I/Opts	PCI Bus: AD19	83	TCH_RX/ DDT/ BB/ RX2B (GPIO4)	Itpu/Ot12	PDC Phone: TCH_RX PHS Phone: DDT CDMA Phone: BB_RXD GSM Phone: RX2-B
34	AD18	I/Opts	PCI Bus: AD18	84	LP_CLK	RC	+3.3V through 240 KΩ

SmartHSF Mobile Modem Data Sheet

Table 3-1. CX11250 HSD 100-Pin TQFP Pin Signals (Continued)

Pin	Signal Label	I/O Type	Interface	Pin	Signal Label	I/O Type	Interface
35	AD17	I/Opts	PCI Bus: AD17	85	TCH_FRAME/ UFCK/ BA/ TX2B (GPIO3)	ltpu/Ot12	PDC Phone: TCH_FRAME PHS Phone: UFCK CDMA Phone: BA_TXD GSM Phone: TX2-B
36	GND	GND	GND	86	CLKRUN#	I/Opod	PCI Bus: CLKRUN#
37	AD16	I/Opts	PCI Bus: AD16	87	DSPKOUT/ CTXD/ USDT/ TXA (GPIO11)	Ot12	Telephone Line: Spkr circuit PDC Phone: CELL_TXD PHS Phone: USDT CDMA Phone: Control TXD GSM: TX-A
38	CBE2#	I/Opts	PCI Bus: CBE2#	88	Bin Audio In (GPIO10)	ltpu	Line Interface: Binary Audio Source
39	FRAME#	I/Opsts	PCI Bus: FRAME#	89	GND	GND	GND
40	IRDY#	I/Opsts	PCI Bus: IRDY#	90	DIB_DATAN	Idd/Odd	DIB: Data Negative Channel
41	TRDY#	I/Opsts	PCI Bus: TRDY#	91	DIB_DATAP	Idd/Odd	DIB: Data Positive Channel
42	DEVSEL#	I/Opsts	PCI Bus: DEVSEL#	92	PWRCLKP	Odpc	DIB: Transformer primary winding non-dotted terminal
43	STOP#	I/Opsts	PCI Bus: STOP#	93	PWRCLKN	Odpc	DIB: Transformer primary winding dotted terminal
44	PERR#	I/Opsts	PCI Bus: PERR#	94	VDD	PWR	+3.3V
45	SERR#	I/Opod	PCI Bus: SERR#	95	DRESET# (GPOLO)	Ot2	VC: POR
46	PAR	I/Opts	PCI Bus: PAR	96	IASLEEP/ DFCK/ CE/ RXA	Ot2	Telephone Line: VC SLEEP PHS Phone: DFCK CDMA Phone: CE GSM Phone: RX-A
47	VDD	PWR	+3.3V	97	PLLVD	PWR	+3.3V and to GND through 0.1 μ F
48	CBE1#	I/Opts	PCI Bus: CBE1#	98	PLLVS	GND	GND
49	AD15	I/Opts	PCI Bus: AD15	99	SPKMUTE/ CRXD/ DSDT (GPIO8)	lt/Ot12	Telephone Line: Spkr Circuit (Out); Vaux Mode Power Select (In) PDC Phone: CELL_RXD PHS Phone: DSDT CDMA Phone: Control RXD
50	AD14	I/Opts	PCI Bus: AD14	100	VOICE#ADP/ RDY/CD (GPIO2)	Ot12	Telephone Line: Voice Relay Control PDC Phone: ADP PHS Phone: RDY CDMA Phone: CD

NOTES:

1. I/O Types

I/Opod	Digital input/output, PCI, open drain (PCI type = o/d)
I/Opsts	Digital input/output, PCI, sustained three-state (PCI type = s/t/s)
I/Opts	Digital input/output, PCI, three-state (PCI type = t/s)
Idd	input, DIB, data channel
Ip	Digital input, PCI, totem pole (PCI type = in)
Ipts	Digital input, PCI, (PCI type = t/s)
It	Digital input, TTL-compatible
Itk	Digital input, TTL-compatible, internal keeper
Itpd	Digital input, TTL-compatible, internal $75k \pm 25k \Omega$ pull-down
Itpu	Digital input, TTL-compatible, internal $75k \pm 25k \Omega$ pull-up
It/Ot2	Digital input, TTL-compatible/digital output, TTL-compatible, 2 mA, $Z_{INTERNAL} = 120 \Omega$
It/Ot12	Digital input, TTL-compatible/digital output, TTL-compatible, 12 mA, $Z_{INTERNAL} = 32 \Omega$
Ix	Crystal/clock input
Odpc	Output, DIB power and clock channel
Odd	Output, DIB data channel
Ood	Digital output, open drain
Opod	Digital output, PCI, open drain (PCI type =o/d)
Opts	Digital output, PCI, three-state (PCI type = t/s)
Ot2	Digital output, TTL-compatible, 2 mA, $Z_{INTERNAL} = 120 \Omega$
Ot12	Digital output, TTL-compatible, 12 mA, $Z_{INTERNAL} = 32 \Omega$
Ox	Crystal output

2. Interface Legend:

NC	No internal pin connection
DIB	Digital Isolation Barrier
VC	Voice Codec

3. All references to PCI Bus also apply to Mini PCI unless otherwise specified.

Table 3-2. CX11250 HSD Pin Signal Definitions

Label	Pin	I/O	I/O Type	Signal Name/Description
SYSTEM				
SDXTAL1 SDXTAL2	74 75	I O	Ix Ox	Crystal/Clock In and Crystal Out. Connect SDXTAL1 to a 28.224000 MHz crystal or clock circuit. Connect SDXTAL2 to the 28.224000 MHz crystal circuit or leave open if SDXTAL1 is connected to a clock circuit.
VDD	7, 18, 31, 47, 58, 68, 94	P	PWR	Digital Supply Voltage. Connect to +3.3V.
GND	11, 36, 63, 89	G	GND	Digital Ground. Connect to digital ground.
VIO	22, 26	P	PWR	I/O Signaling Voltage Reference. Connect to PCI Bus VI/O or +3.3V. Used internally for PCI clamping.
LP_CLK	84		RC	Low Power Clock RC Circuit. Connect to +3.3V through 240 K Ω .
PLLVD	97	P	PWR	Digital Supply Voltage. Connect to +3.3V and to GND through 0.1 μ F.
PLLGND	98	G	GND	Digital Ground. Connect to digital ground.
SCANEN	72	I	Itpd	Scan Enable. Connect to GND.
SCANMODE	73	I	Itpd	Scan Mode. Connect to GND.
CLKRUN#	86	I	I/Opod, (o/d)	Clock Running. CLKRUN# is an input used to determine the status of CLK and an open drain output used to request starting or speeding up CLK. Connect to GND for PCI Bus designs. Connect to CLKRUN# pin for Mini PCI designs.
POWER DETECTION				
VpciDET	71	I	Itpd	Vpci Detect. The VpciDET input indicates when PCI cycles and PCIRST# are to be ignored. Connect this pin to the PCI Bus +5V pins for PCI Bus designs or to PCI 3.3V for Mini PCI designs. VpciDET is deasserted when the PCI Bus enters the B3 state. This pin may alternatively be directly driven in embedded designs by using a logical signal, either +5V or +3.3V level, to indicate when the PCI Bus is in a B3 state. Driving this pin low synchronously to the PCI clock or when the PCI clock is stopped also allows the HSD to be put into a very low power mode. Using this method, if modem operation is not required, modem power consumption can be reduced even while the PCI Bus is in power state B0.
VauxDET	80	I	Itpd	Vaux Detect. Active high input used to detect the presence of Vaux. Connect to PCI Bus: Vaux. At device power on (POR), if D3_Cold bit in the EEPROM is a 1, PMC[15] is set to a 1 if VauxDET is high or PMC[15] is cleared to a 0 if VauxDET is low.
VpciEN#	69	O	Ot2	Vpci Enable. Active low output used to enable Vpci FET. For use in designs that switch between Vaux and Vpci for different power states and for retail designs where the target PC may or may not support Vaux.
VauxEN#	70	O	Ot2	Vaux Enable. Active low output used to enable Vaux FET. For use in designs that switch between Vaux and Vpci for different power states and for retail designs where the target PC may or may not support Vaux.
SERIAL EEPROM INTERFACE				
SROMCLK	79	O	Ot2	Serial ROM Shift Clock. Connect to SROM SK input (frequency: 537.6 kHz).
SROMCS	76	O	Ot2	Serial ROM Chip Select. Connect to SROM CS input.
SROMIN	78	I	Itpu	Serial ROM Device Status and Data Out. Connect to SROM DO output, through 1 k Ω if using a +5V EEPROM.
SROMOUT	77	O	Ot2	Serial ROM Instruction, Address, and Data In. Connect to SROM DI input.

Table 3-2. CX11250 HSD Pin Signal Definitions (Continued)

Label	Pin	I/O	I/O Type	Signal Name/Description
PCI BUS INTERFACE				
PCICLK	10	I	Ip (in)	PCI Bus Clock. The PCICLK (PCI Bus CLK signal) input provides timing for all transactions on PCI. Connect to PCI Bus: CLK.
PCIRST#	9	I	Ip (in)	PCI Bus Reset. Active low input asserted to initialize PCI-specific registers, sequencers, and signals to a consistent reset state. Connect to PCI Bus: RST#.
AD[31:0]	15-17, 19-21, 23-24, 28-30, 32-35, 37, 49- 56, 59-62, 64- 67	I/O	I/Opts (t/s)	Multiplexed Address and Data. Address and Data are multiplexed on the same PCI pins. Connect to PCI Bus: AD[31-0].
CBE0# CBE1# CBE2# CBE3#	57 48 38 25	I/O	I/Opts (t/s)	Bus Command and Bus Enable. Bus Command and Byte Enables are multiplexed on the same PCI pins. During the address phase of a transaction, CBE[3:0]# define the bus command. During the data phase, CBE[3:0]# are used as Byte Enables. Connect to PCI Bus: CBE[3:0]#.
PAR	46	I/O	I/Opts (t/s)	Parity. Parity is even parity across AD[31:00] and CBE[3:0]#. The master drives PAR for address and write data phases; the Bus Interface drives PAR for read data phases. Connect to PCI Bus: PAR.
FRAME#	39	I/O	I/Opsts (s/t/s)	Cycle Frame. FRAME# is driven by the current master to indicate the beginning and duration of an access. Connect to PCI Bus: FRAME#.
IRDY#	40	I/O	I/Opsts (s/t/s)	Initiator Ready. IRDY# is used to indicate the initiating agent's (bus master's) ability to complete the current data phase of the transaction. IRDY# is used in conjunction with TRDY#. Connect to PCI Bus: IRDY#.
TRDY#	41	I/O	I/Opsts (s/t/s)	Target Ready. TRDY# is used to indicate the Bus Interface's ability to complete the current data phase of the transaction. TRDY# is used in conjunction with IRDY#. Connect to PCI Bus: TRDY#.
STOP#	43	I/O	I/Opsts (s/t/s)	Stop. STOP# is asserted to indicate the Bus Interface is requesting the master to stop the current transaction. Connect to PCI Bus: STOP#.
IDSEL	27	I	Ip (in)	Initialization Device. IDSEL input is used as a chip select during configuration read and write transactions. Connect to PCI Bus: IDSEL.
DEVSEL#	42	I/O	I/Opsts (s/t/s)	Device Select. When actively driven, DEVSEL# indicates the driving device has decoded its address as the target of the current access. As an input, DEVSEL# indicates whether any device on the bus has been selected. Connect to PCI Bus: DEVSEL#.
REQ#	13	O	Opts (t/s)	Request. REQ# is used to indicate to the arbiter that this agent desires use of the bus. Connect to PCI Bus: REQ#.
GNT#	12	I	Ipts (t/s)	Grant. GNT# is used to indicate to the agent that access to the bus has been granted. Connect to PCI Bus: GNT#.
PERR#	44	I/O	I/Opsts (s/t/s)	Parity Error. PERR# is used for the reporting of data parity errors. Connect to PCI Bus: PERR#.
SERR#	45	O	Opod (o/d)	System Error. SERR# is an open drain output asserted to report address parity errors, data parity errors on the Special Cycle command, or any other system error where the result will be catastrophic. Connect to PCI Bus: SERR#.
INTA#	8	O	Opod (o/d)	Interrupt A. INTA# is an open drain output asserted to request an interrupt. Connect to PCI Bus: INTA#.
PME#	14	O	Opod (o/d)	Power Management Event. Active low open drain or active high TTL output (selected by the PME DRV bit in the EEPROM) asserted when a valid ring signal is detected and the PME_En bit of the PMCSR is a 1. This signal should be used only if the target PCI Bus supports power management wake-up event. Connect to the PCI Bus: PME#.
STSCHG#	14	O	Opod (o/d)	Status Changed. Active low output asserted to alert the host to changes in the RRdy/-Bsy bit (PRR1) in the Pin Replacement Register (PRR) and to the setting of the ReqAttn bit (ESR4) in the Extended Status Register (ESR).

Table 3-2. CX11250 HSD Pin Signal Definitions (Continued)

Label	Pin	I/O	I/O Type	Signal Name/Description
DIB INTERFACE				
PWRCLKP	92	O	Odpc	Clock and Power Positive. Provides clock and power to the LSD. Connect to DIB transformer primary winding non-dotted terminal.
PWRCLKN	93	O	Odpc	Clock and Power Negative. Provides clock and power to the LSD. Connect to DIB transformer primary winding dotted terminal.
DIB_DATAP	91	I/O	Idd/Odd	Data Positive. Transfers data, control, and status information between HSD and LSD. Connect to LSD through DIB data positive channel components.
DIB_DATAN	90	I/O	Idd/Odd	Data Negative. Transfers data, control, and status information between HSD and LSD. Connect to LSD through DIB data negative channel components.
TELEPHONE LINE (DAA)/AUDIO INTERFACE				
DRESET# (GPO0)	95	O	Ot2	Modem Reset. Connect to VC POR pin.
M_CLK/PANEL1 (GPIO12)	5	O	Ot2	Master Clock Output. Connect to VC M_CLKIN pin.
V_CTRL/PANEL 2 (GPIO13)	6	O	Ot2	Voice Control Output. Connect to VC M_CNTRLSIN pin.
V_SCLK/CB (GPIO2)	3	I	Itpd	Voice Serial Clock input. Connect to VC M_SCK pin.
V_RXOUT/ASLP/ CF (GPIO1)	2	I	It	Voice Serial Receive Data Input. Connect to VC M_RXOUT pin.
V_TXSIN/PSLP/ CJ (GPIO9)	4	O	Ot2	Voice Serial Transmit Data Output. Connect to VC M_TXSIN pin.
V_STROBE/CC/ DA(IN) (GPIO0)	1	I	Itpd	Voice Serial Frame Sync Input. Connect to VC M_STROBE pin.
IASLEEP/ DFCK/CE/RXA	96	O	Ot2	Modem Sleep. Connect to VC SLEEP pin.
VOICE#/ADP/ RDY/CD (GPIO2)	100	O	Ot12	Voice Relay Control. Output (typically active low) used to control the normally open voice relay. The polarity of this output is configurable.
SPKMUTE/ CRXD/DSDT/ (GPIO8)	99	I/O	It/Ot12	Speaker Mute/Vaux Mode Power Select. Output (typically active low) used to turn off (mute) the speaker during normal operation. Applicable to S models only. Upon device reset, this pin is temporarily an input and is sampled. If sampled high and VauxDET is high, VpciEN# will be asserted when the device is in D0. If sampled low (e.g., SPKMUTE signal is pulled down to GND through 10k Ω) and VauxDET is high, VauxEN# will be asserted when the device is in D0. VauxEN# is always asserted when VauxDET is high in D3 with PME enabled. Either VauxEN# or VpciEN#, but not both, can be asserted at the same time.
DSPKOUT/ CTXD/ USDT/CNTL_TX D (GPIO11)	87	O	Ot12	Call Progress (Digital Speaker) Output. The DSPKOUT digital output reflects the received analog input signal digitized to TTL high or low level by an internal comparator. This signal is used for call progress or carrier monitoring. This output can be optionally connected to a low-cost on-board speaker, e.g., a sounducer, or to an analog speaker circuit.
Bin Audio In (GPIO10)	88	I	Itpu	Binary Audio Input. Binary audio source.

Table 3-2. CX11250 HSD Pin Signal Definitions (Continued)

Label	Pin	I/O	I/O Type	Signal Name/Description
PDC/PDC PACKET PHONE INTERFACE				
M_CLK/PANEL1 (GPIO12)	5	O	ltpu/Ot12	Panel 1. Defined by the PDC firmware driver.
V_CTRL/PANEL 2 (GPIO13)	6	O	ltpu/Ot12	Panel 2. Defined by the PDC firmware driver.
VOICE#/ADP/ RDY/CD (GPIO2)	100	O	Ot12	ADP. Defined by the PDC firmware driver.
SPKMUTE/ CRXD/ DSDT/ (GPIO8)	99	I	lt/Ot12	CELL_RXD. Defined by the PDC firmware driver.
DSPKOUT/ CTXD/USDT/ (GPIO11)	87	O	Ot12	CELL_TXD. Defined by the PDC firmware driver.
TCH_CLK/BITC (GPIO6)	81	I	ltpu/Ot12	TCH_CLK. Defined by the PDC firmware driver.
TCH_TX/UDT/ TXA(GPIO5)	82	O	ltpu/Ot12	TCH_TX. Defined by the PDC firmware driver.
TCH_RX/DDT/ BB_RXD/RX2B (GPIO4)	83	I	ltpu/Ot12	TCH_RX. Defined by the PDC firmware driver.
TCH_FRAME/ UFCK/BA_TXD/ TX2B (GPIO3)	85	I	ltpu/Ot12	TCH_FRAME. Defined by the PDC firmware driver.
PHS PHONE INTERFACE				
V_RXOUT/ASLP/ CF (GPIO1)	2	I	lt	ASLP. Defined by the PHS firmware driver.
V_TXSIN/PSLP/ CJ (GPIO9)	4	O	lt/Ot2	PSLP. Defined by the PHS firmware driver.
IASLEEP/DFCK/ CE/RXA	96	I	lt/Ot2	DFCK. Defined by the PHS firmware driver.
VOICE#/ADP/ RDY/CD(GPIO2)	100	O	Ot12	Ready. Defined by the PHS firmware driver.
SPKMUTE/ CRXD/DSDT (GPIO8)	99	I	lt/Ot12	DSDT. Defined by the PHS firmware driver.
DSPKOUT/ CTXD/USDT (GPIO11)	87	O	Ot12	USDT. Defined by the PHS firmware driver.
TCH_CLK/ BITC (GPIO6)	81	I	ltpu/Ot12	BITC. Defined by the PHS firmware driver.
TCH_TX/UDT/ TXA (GPIO5)	82	O	ltpu/Ot12	UDT. Defined by the PHS firmware driver.
TCH_RX/DDT/ BB_RXD/RX2B (GPIO4)	83	I	ltpu/Ot12	DDT. Defined by the PHS firmware driver.
TCH_FRAME/ UFCK/BA_TXD/ TX2B (GPIO3)	85	I	ltpu/Ot12	UFCK. Defined by the PHS firmware driver.

Table 3-2. CX11250 HSD Pin Signal Definitions (Continued)

Label	Pin	I/O	I/O Type	Signal Name/Description
CDMA PHONE INTERFACE				
M_CLK/PANEL1 (GPIO12)	5	O	ltpu/Ot12	Panel 1. Defined by the CDMA firmware driver.
V_CTRL/PANEL 2 (GPIO13)	6	O	ltpu/Ot12	Panel 2. Defined by the CDMA firmware driver.
V_SCLK/CB (GPIO2)	3	I	ltpd	CB. Defined by the CDMA firmware driver.
V_RXOUT/ASLP/CF (GPIO1)	2	I	lt	CF. Defined by the CDMA firmware driver.
V_TXSIN/PSLP/CJ (GPIO9)	4	O	Ot2	CJ. Defined by the CDMA firmware driver.
V_STROBE/CC/DA(IN) (GPIO0)	1	I	ltpd	CC. Defined by the CDMA firmware driver.
IASLEEP/DFCK/CE/RXA	96	I	Ot2	CE. Defined by the CDMA firmware driver.
VOICE#/ADP/RDY/CD(GPIO2)	100	O	Ot12	CD. Defined by the CDMA firmware driver.
SPKMUTE/CRXD/DSDT (GPIO8)	99	I	lt/Ot12	Control RXD. Defined by the CDMA firmware driver.
DSPKOUT/CTXD/USDT (GPIO11)	87	O	Ot12	Control TXD. Defined by the CDMA firmware driver.
TCH_RX/DDT/BB/RX2B (GPIO4)	83	I	ltpu/Ot12	BB (USART IN). Defined by the CDMA firmware driver.
TCH_FRAME/UFCK/BA/TX2B (GPIO3)	85	O	ltpu/Ot12	BA (USART OUT). Defined by the CDMA firmware driver.
GSM PHONE INTERFACE				
V_STROBE/CC/DA(IN) (GPIO0)	1	I	ltpd	DA(IN). Defined by the GSM firmware driver.
IASLEEP/DFCK/CE/RXA	96	I	lt/Ot2	RX-A. Defined by the GSM firmware driver.
DSPKOUT/CTXD/USDT/TXA(GPIO11)	87	O	Ot12	TX-A. Defined by the GSM firmware driver.
TCH_TX/UDT/TXA(GPIO5)	82	O	ltpu/Ot12	TX-A. Defined by the GSM firmware driver.
TCH_RX/DDT/BB/RX2B (GPIO4)	83	I	ltpu/Ot12	RX2-B USART. Defined by the GSM firmware driver.
TCH_FRAME/UFCK/BA/TX2B (GPIO3)	85	O	ltpu/Ot12	TX2-B USART. Defined by the GSM firmware driver.

Table 3-2. CX11250 HSD Pin Signal Definitions (Continued)

NOTES:

1. I/O Types

I/Opod	Digital input/output, PCI, open drain (PCI type = o/d)
I/Opsts	Digital input/output, PCI, sustained three-state (PCI type = s/t/s)
I/Opts	Digital input/output, PCI, three-state (PCI type = t/s)
Idd	input, DIB, data channel
Ip	Digital input, PCI, totem pole (PCI type = in)
Ipts	Digital input, PCI, (PCI type = t/s)
It	Digital input, TTL-compatible
Itpd	Digital input, TTL-compatible, internal $75k \pm 25k \Omega$ pull-down
Itpu	Digital input, TTL-compatible, internal $75k \pm 25k \Omega$ pull-up
It/Ot2	Digital input, TTL-compatible/digital output, TTL-compatible, 2 mA, $Z_{INTERNAL} = 120 \Omega$
It/Ot12	Digital input, TTL-compatible/digital output, TTL-compatible, 12 mA, $Z_{INTERNAL} = 32 \Omega$
Ix	Crystal/clock input
Odpc	Output, DIB power and clock channel
Odd	Output, DIB data channel
Ood	Digital output, open drain
Opod	Digital output, PCI, open drain (PCI type =o/d)
Opts	Digital output, PCI, three-state (PCI type = t/s)
Ot2	Digital output, TTL-compatible, 2 mA, $Z_{INTERNAL} = 120 \Omega$
Ot12	Digital output, TTL-compatible, 12 mA, $Z_{INTERNAL} = 32 \Omega$
Ox	Crystal output

2. Interface Legend:

NC = No internal pin connection

RESERVED = No external connection allowed (may have internal connection).

3. All references to PCI Bus also apply to Mini PCI unless otherwise specified.

Table 3-3. Cell Phone/Telephone Line Interface Signals

Pin	Pin Name	Application Signal and I/O Direction									
		PSTN Selected		PDC/PDC Packet Selected		PHS Selected		CDMA Selected		GSM Selected	
		PSTN Signal	PSTN I/O	PDC/PDC packet Signal	PDC I/O	PHS Signal	PHS I/O	CDMA Signal	CDMA I/O	GSM Signal	GSM I/O
95	DRESET# (GPO0)	DRESET#	O	-	-	-	-	-	-	-	-
5	M_CLK/PANEL1 (GPIO12)	M_CLK	O	Panel 1	O	-	-	Panel 1	O	-	-
6	V_CTRL/PANEL2 (GPIO13)	V_CTRL	O	Panel 2	O	-	-	Panel 2	O	-	-
3	V_SCLK/CB (GPIO7)	V_SCLK	I	-	-	-	-	CB	I	-	-
2	V_RXOUT/ASLP/CF (GPIO1)	V_RXOUT	I	-	-	ASLP	I	CF	I	-	-
4	V_TXSIN/PSLP/CJ (GPIO9)	V_TXSIN	O	-	-	PSLP	O	CJ	O	-	-
1	V_STROBE/CC/DA(IN) (GPIO0)	V_STROBE	I	-	-	-	-	CC	I	DA(IN)	I
96	IASLEEP/DFCK/CE/RXA	IASLEEP	O	-	-	DFCK	I	CE	I	RX-A	I
100	VOICE#/ADP/RDY/CD (GPIO2)	VOICE#	O	ADP	O	RDY	O	CD	O	-	-
99	SPKMUTE/CRXD/DSDT (GPIO8)	SPKMUTE	O	CELL_RXD	I	DSDT	I	Control RXD	I	-	-
87	DSPKOUT/CTXD/USDT/TXA (GPIO11)	DSPKOUT	O	CELL_TXD	O	USDT	O	Control TXD	O	TX-A	O
81	TCH_CLK/BITC (GPIO6)	-	-	TCH_CLK	I	BITC	I	-	-	-	-
82	TCH_TX/UDT/TXA (GPIO5)	-	-	TCH_TX	O	UDT	O	-	-	TX-A	O
83	TCH_RX/DDT/BB/RX2B (GPIO4)	-	-	TCH_RX	I	DDT	I	BB (USART IN)	I	RX2-B USART	I
85	TCH_FRAME/UFCK/BA/TX2B (GPIO3)	-	-	TCH_FRAME	I	UFCK	I	BA (USART OUT)	O	TX2-B USART	O

3.2 CX20463 SmartDAA LSD HARDWARE PINS AND SIGNALS

3.2.1 LSD Signal Interfaces

HSD Interface (Through DIB)

The DIB interface signals are:

- Clock (CLK); input
- Digital Power (PWR+); input power
- Digital Ground (DGND); digital ground
- Data Positive (DIB_P); input
- Data Negative (DIB_N); input

Telephone Line Interface

The telephone line interface signals are:

- RING AC Coupled (RAC1); input
- TIP AC Coupled (TAC1); input
- Electronic Inductor Resistor (EIR); output
- TIP and RING DC Measurement (TRDC); input
- DAC Output Voltage (DAC); output
- Electronic Inductor Capacitor (EIC)
- Electronic Inductor Output (EIO)
- Electronic Inductor Feedback (EIF)
- Resistive Divider Midpoint (DCF)
- Transmit Analog Output (TXA); output
- Receive Analog Input (RXI); input
- Receiver Gain (RXG); output
- MOV Enable (MOVEN); output
- Worldwide Impedance 0 (ZW0); input
- US Impedance 0 (ZUS0); input
- Transmit Feedback (TXF); input
- Transmit Output (TXO); output

3.2.2 LSD Interface Signals, Pin Assignments, and Signal Definitions

LSD 32-pin TQFP hardware interface signals are shown by major interface in Figure 3-3, are shown by pin number in Figure 3-4, and are listed by pin number in Table 3-4.

LSD hardware interface signals are defined in Table 3-5.

LSD pin signal digital electrical characteristics are defined in Table 3-6.

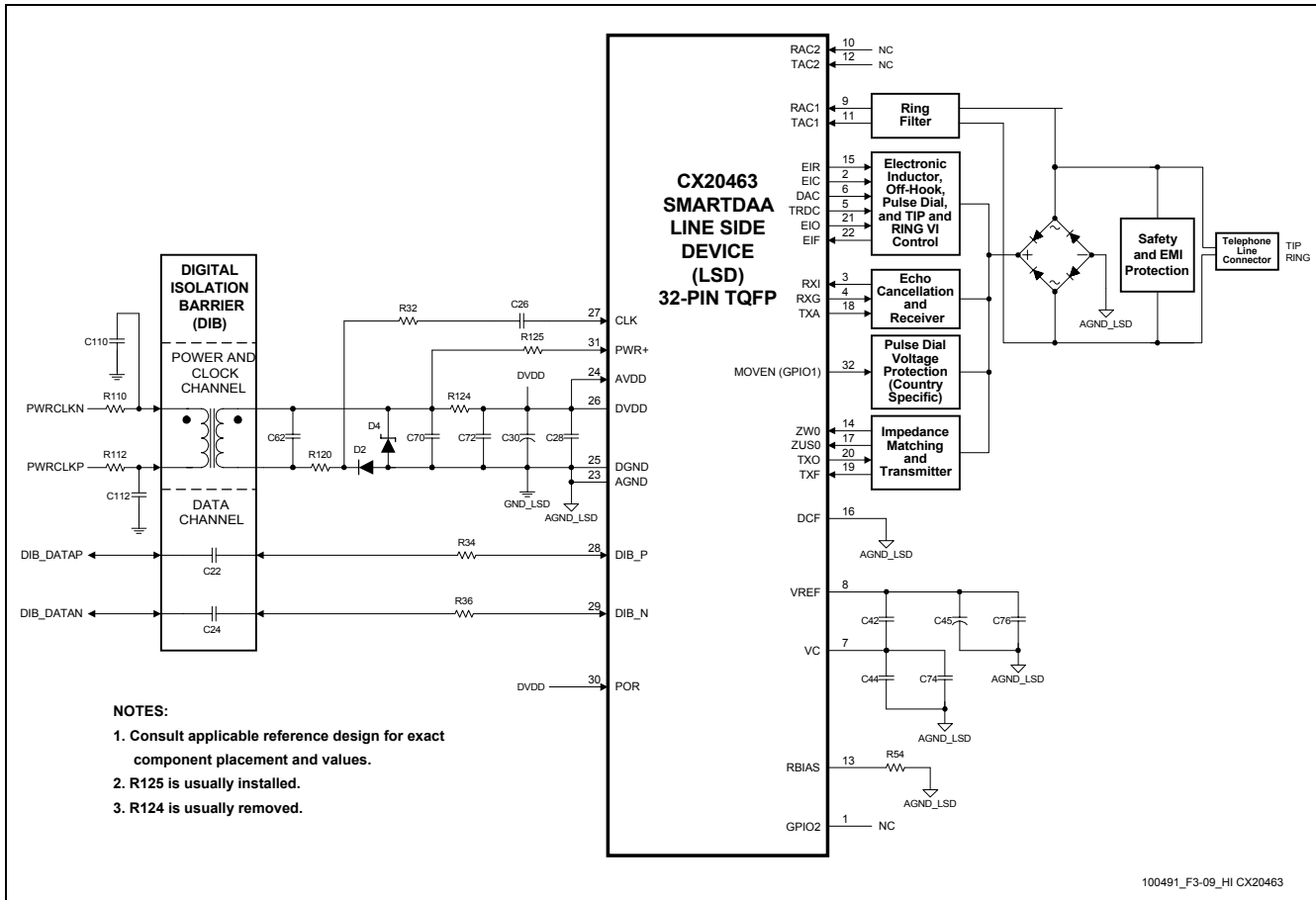


Figure 3-3. CX20463 LSD Hardware Interface Signals

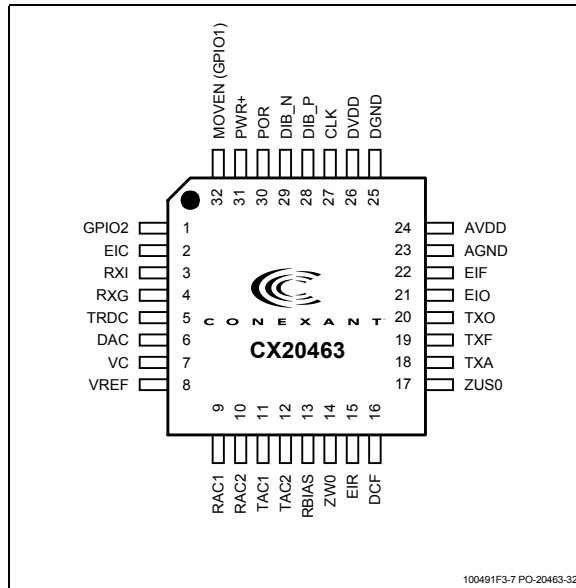


Figure 3-4. CX20463 LSD 32-Pin TQFP Pin Signals

Table 3-4. CX20463 LSD 32-Pin TQFP Pin Signals

Pin	Signal Label	I/O Type	Interface
1	GPIO2	It/Ot12	NC
2	EIC	Oa	Telephone Line Interface Components
3	RXI	Ia	Telephone Line Interface Components
4	RXG	Oa	Telephone Line Interface Components
5	TRDC	Oa	Telephone Line Interface Components
6	DAC	Oa	Telephone Line Interface Components
7	VC	REF	VREF through C42 and to AGND_LSD through C44 and C74
8	VREF	REF	VC through C42 and to AGND_LSD through C45 and C76
9	RAC1	Ia	Diode bridge top AC connection (RING) through R2 and C2
10	RAC2	Ia	NC
11	TAC1	Ia	Diode bridge bottom AC connection (TIP) through R4 and C4
12	TAC2	Ia	NC
13	RBIAS	Ia	AGND_LSD through R54
14	ZW0	Ia	Telephone Line Interface Components
15	EIR	Ot12	Telephone Line Interface Components
16	DCF	Ia	AGND_LSD
17	ZUS0	Ia	Telephone Line Interface Components
18	TXA	Oa	Telephone Line Interface Components
19	TXF	Ia	Telephone Line Interface Components
20	TXO	Oa	Telephone Line Interface Components
21	EIO	Oa	Telephone Line Interface Components
22	EIF	Ia	Telephone Line Interface Components
23	AGND	AGND_LSD	AGND_LSD
24	AVDD	PWR	LSD DVDD pin
25	DGND	GND_LSD	DIB transformer secondary winding undotted terminal through diode D2 and R120 in series and to GND_LSD
26	DVDD	PWR	LSD AVDD pin, to GND_LSD through C28, C30, and C72 in parallel, and to DIB transformer secondary winding dotted terminal through R124.
27	CLK	I	DIB transformer secondary winding undotted terminal through C26 and R32 in series, and through R120 shared with LSD DGND pin through diode D2
28	DIB_P	I/O	DIB C22 through R34
29	DIB_N	I/O	DIB C24 through R36
30	POR	It	LSD DVDD pin
31	PWR+	PWR	DIB transformer secondary winding dotted terminal through R125 and to GND_LSD through zener diode D4 and C70 in parallel
32	MOVEN (GPIO1)	Ot12	Telephone Line Interface Components

NOTES:

- I/O types*:
 - Ia Analog input
 - It Digital input, TTL-compatible (See Table 3-6)
 - Oa Analog output
 - Ot12 Digital output, TTL-compatible, 12 mA, $Z_{INTERNAL} = 32 \Omega$ (See Table 3-6)
 - AGND_LSD Isolated LSD Analog Ground
 - GND_LSD Isolated LSD Digital Ground
- Refer to applicable reference design for exact component placement and values.

Table 3-5. CX20463 LSD Pin Signal Definitions

Label	Pin	I/O Type	Signal Name/Description
SYSTEM SIGNALS			
AVDD	24	PWR	Analog Power Supply. Connect to the LSD DVDD pin.
AGND	23	AGND_LSD	LSD Analog Ground. LSD Analog Ground. Connect to AGND_LSD at the GND_LSD/AGND_LSD tie point and to the analog ground plane.
POR	30	It	Power-On Reset. Connect to LSD DVDD pin.
VREF	8	REF	Output Reference Voltage. Connect to VC through C42 and to AGND_LSD through C45 and C76. Ensure a very close proximity between C42 and C45 and the VREF pin.
VC	7	REF	Output Middle Reference Voltage. Connect to VREF through V42 and to AGND_LSD through C44 and C74. Ensure a very close proximity between C44 and the VC pin. Use a short path and a wide trace to AGND_LSD pin.
DIB INTERFACE SIGNALS			
CLK	27	I	Clock. Provides input clock, AC-coupled, to the LSD. Connect to DIB transformer secondary winding undotted terminal through R32 and C26 in series, and through R120 shared with LSD DGND pin through diode D2.
PWR+	31	PWR	Digital Power Input. Provides unregulated input digital power to the LSD. Connect to DIB transformer secondary winding dotted terminal through R125, and to GND_LSD through zener diode D4 and C70 in parallel.
DVDD	26	PWR	Digital Power. Connect to pin 24 (AVDD), to DIB transformer secondary winding dotted terminal through R124, and to GND_LSD through C28, C30, and C72 in parallel.
DGND	25	GND_LSD	LSD Digital Ground. Connect to DIB transformer secondary winding undotted terminal through diode D2 in series with R120, and to GND_LSD at the GND_LSD/AGND_LSD tie point.
DIB_P	28	I/O	Data and Control Positive. Connect to HSD DIB_DATAP through C22 in the DIB and R34 on the LSD side. DIB_P and DIB_N signals are differential, and ping-pong between DIB and HSD (half duplex).
DIB_N	29	I/O	Data and Control Negative. Connect to HSD DIB_DATAN through C24 in the DIB and R36 on LSD side. DIB_P and DIB_N signals are differential, and ping-pong between DIB and HSD (half duplex).
TIP AND RING INTERFACE			
RAC1, TAC1	9, 11	la, la	RING1 AC Coupled and TIP1 AC Coupled. AC-coupled voltage from telephone line used to detect ring. Connect RAC1 to the diode bridge AC top connection (RING) through R2 and C2. Connect TAC1 to the diode bridge AC bottom connection (TIP) through R4 and C4.
RAC2 TAC2	10, 12	la, la	RING2 AC Coupled and TIP2 AC Coupled. Not used. Leave open.
EIR	15	Oa	Electronic Inductor Resistor. Electronic inductor resistor switch.
EIC	2	Oa	Electronic Inductor Capacitor Switch. Internally switched to no connect when pulse dialing and to ground all other times. This is needed to eliminate pulse dial interference from the electronic inductor AC filter capacitor.
DAC	6	Oa	DAC Output Voltage. Output voltage of the reference DAC.
TRDC	5	la	TIP and RING DC Measurement. Input on-hook voltage (from a resistive divider). Used internally to extract TIP and RING DC voltage and Line Polarity Reversal (LPR) information.
EIO	21	Oa	Electronic Inductor Output. Calculated voltage is applied to this output to control offhook, pulse dial, and DC IV mask operation.
EIF	22	la	Electronic Inductor Feedback. Electronic inductor feedback.
RXG	4	Oa	Receiver Gain. Receiver operational amplifier output.
RXI	3	la	Receive Analog Input. Receiver operational amplifier inverting input.
TXA	18	Oa	Transmit Analog Output. Transmit signal used for canceling echo in the receive path.
MOVEN (GPIO1)	32	Ot12	MOV Enable. Connect to pulse dial voltage protection circuit for Australia/Poland/Italy use. Leave open if the product is not intended for Australia, Poland, or Italy.
RBIAS	13	la	Receiver Bias. Connect to GND through R54.
DCF	16	la	Resistive Divider Midpoint. Connect to LSD analog ground.

Table 3-5. CX20463 LSD Pin Signal Definitions (Continued)

Label	Pin	I/O Type	Signal Name/Description
TELEPHONE LINE INTERFACE (CONTINUED)			
ZW0	14	Ia	Worldwide Impedance 0. Input signal used to provide line complex impedance matching for worldwide countries.
ZUS0	17	Ia	US Impedance 0. Input signal used to provide line impedance matching for U.S.
TXO	20	Oa	Transmit Output. Outputs transmit signal and impedance matching signal; connect to transmitter transistor (Q6).
TXF	19	Ia	Transmit Feedback. Connect to emitter of transmitter transistor (Q6).
NOT USED			
GPIO2	1	It/Ot12	General Purpose I/O 2. Leave open if not used.
NOTES:			
1. I/O types*:			
Ia	Analog input		
It	Digital input, TTL-compatible (see Table 3-6)		
Oa	Analog output		
Ot12	Digital output, TTL-compatible, 12 mA, Z _{INTERNAL} = 32 Ω (see Table 3-6)		
AGND_LSD	Isolated LSD Analog Ground		
GND_LSD	Isolated LSD Digital Ground		
2. Refer to applicable reference design for exact component placement and values.			

Table 3-6. CX20463 LSD DC Electrical Characteristics

Parameter	Symbol	Min.	Typ.	Max.	Units	Test Conditions
Input Voltage Low	V _{IN}	-0.30	–	3.60	V	VDD = +3.6V
Input Voltage Low	V _{IL}	–	–	1.0	V	
Input Voltage High	V _{IH}	1.6	–	–	V	
Output Voltage Low	V _{OL}	0	–	0.33	V	
Output Voltage High	V _{OH}	2.97	–	–	V	
Input Leakage Current	–	-10	–	10	μA	
Output Leakage Current (High Impedance)	–	-10	–	10	μA	
GPIO Output Sink Current at 0.4 V maximum	–	2.4	–	–	mA	
GPIO Output Source Current at 2.97 V minimum	–	2.4	–	–	mA	
GPIO Rise Time/Fall Time	–	20	–	100	ns	
Test conditions unless otherwise noted:						
1. Test Conditions unless otherwise stated: VDD = +3.3 ± 0.3 VDC; TA = 0°C to 70°C; external load = 50 pF						

3.3 CX20437 VC HARDWARE PINS AND SIGNALS (S MODELS)

Microphone and analog speaker interface signals, as well as telephone handset/headset interface signals are provided to support functions such as speakerphone mode, telephone emulation, microphone voice record, speaker voice playback, and call progress monitor.

3.3.1 VC Signal Interfaces

Speakerphone Interface

The following signals are supported:

- Speaker Out (M_SPKR_OUT); analog output - Should be used in speakerphone designs where sound quality is important
- Microphone (M_MIC_IN); analog input

Telephone Handset/Headset Interface

The following interface signals are supported:

- Telephone Input (M_LINE_IN), input (TELIN) –Optional connection to a telephone handset interface circuit
- Telephone output (M_LINE_OUTP); output (TELOUT) - Optional connection to a telephone handset interface circuit
- Center Voltage (VC); output reference voltage

HSD Interface

The following interface signals are supported:

- Reset (POR); input
- Sleep (SLEEP); input
- Master Clock (M_CLKIN); input
- Serial Clock (M_SCK); output
- Control (M_CNTRLSIN); input
- Serial Frame Sync (M_STROBE); output
- Serial Transmit Data (M_TXSIN); input
- Serial Receive Data (M_RXOUT); output

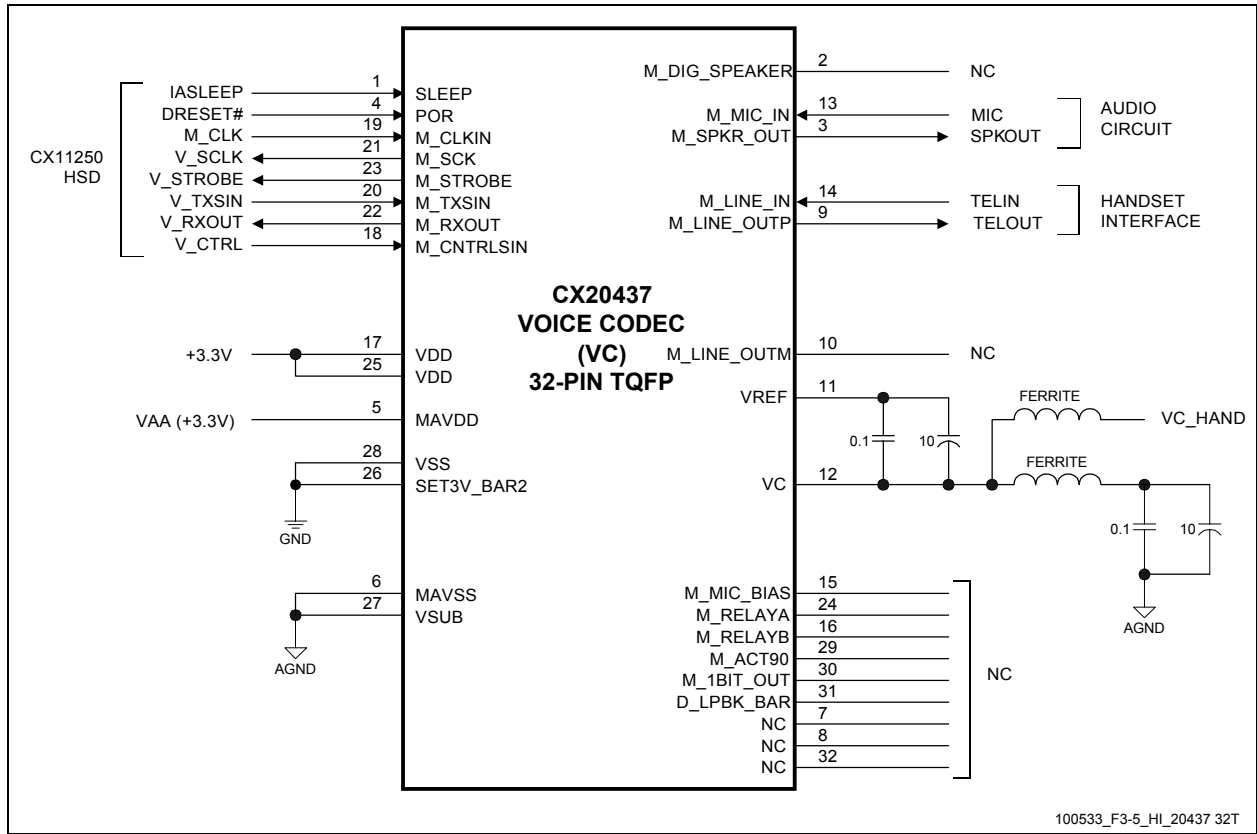
3.3.2 VC Interface Signals, Pin Assignments, and Signal Definitions

VC 32-pin TQFP hardware interface signals are shown by major interface in Figure 3-5, are shown by pin number in Figure 3-6, and are listed by pin number in Table 3-7.

VC hardware interface signals are defined in Table 3-8.

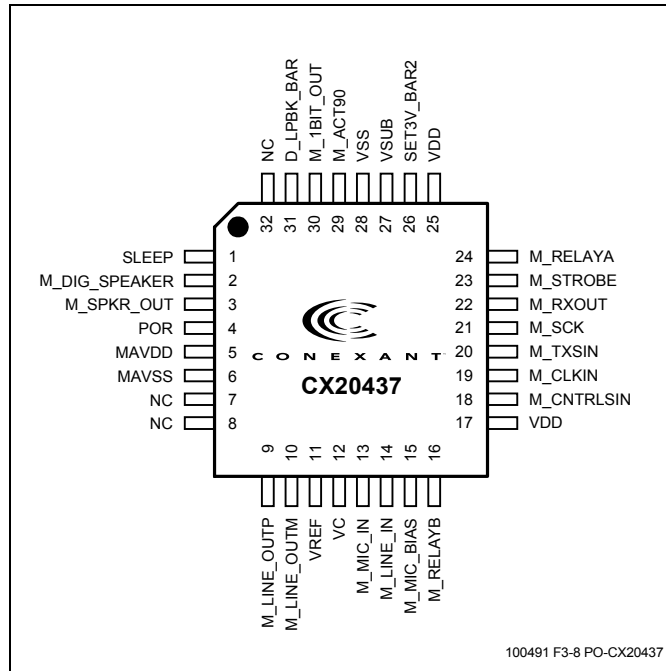
VC pin signal DC electrical characteristics are defined in Table 3-9.

VC pin signal analog electrical characteristics are defined in Table 3-10.



100533_F3-5_HI_20437 32T

Figure 3-5. CX20437 VC Hardware Interface Signals



100491 F3-8 PO-CX20437

Figure 3-6. CX20437 VC 32-Pin TQFP Pin Signals

Table 3-7. CX20437 VC 32-Pin TQFP Pin Signals

Pin	Signal Label	I/O	I/O Type	Interface
1	SLEEP	I	Itpd	HSD: IASLEEP
2	M_DIG_SPEAKER	O	Ot2	NC
3	M_SPKR_OUT	O	Oa	Speaker interface circuit
4	POR	I	Itpu	HSD: DRESET#
5	MAVDD		PWR	VAA (+3.3V)
6	MAVSS		AGND	AGND
7	NC			NC
8	NC			NC
9	M_LINE_OUTP (TELOUT)	O	Oa	Handset interface circuit
10	M_LINE_OUTM	O	Oa	NC
11	VREF		REF	VC through capacitors
12	VC		REF	AGND through ferrite bead and capacitors and to and to handset interface circuit (VC_HAND) through ferrite bead
13	M_MIC_IN	I	Ia	Microphone interface circuit
14	M_LINE_IN (TELIN)	I	Ia	Handset interface circuit
15	M_MIC_BIAS			NC
16	M_RELAYB			NC
17	VDD		PWR	+3.3V
18	M_CNTRLSIN	I	Itpd	HSD: V_CTRL
19	M_CLKIN	I	Itpd	HSD: M_CLK
20	M_TXSIN	I	Itpd	HSD: V_TXSIN
21	M_SCK	O	Ot2	HSD: V_SCLK
22	M_RXOUT	O	Ot2	HSD: V_RXOUT
23	M_STROBE	O	Ot2	HSD: V_STROBE
24	M_RELAYA	O	Ot2od	NC
25	VDD		PWR	+3.3V
26	M_SET3V_BAR2	I	Itpu	GND
27	VSUB		AGND	AGND
28	VSS		GND	GND
29	M_ACT90	I	Itpu	NC
30	M_1BIT_OUT	O	Ot2	NC
31	D_LPBK_BAR	I	Itpu	NC
32	NC			NC

NOTES:

1. I/O types:

- Ia Analog input
- It Digital input, TTL-compatible
- Itpd Digital input, TTL-compatible, internal $75k \pm 25k \Omega$ pull-down
- Itpu Digital input, TTL-compatible, internal $75k \pm 25k \Omega$ pull-up
- I/Ot2 Digital input, TTL-compatible/digital output, TTL-compatible, 2 mA, $Z_{INTERNAL} = 120 \Omega$
- I/Ot12 Digital input, TTL-compatible/digital output, TTL-compatible, 12 mA, $Z_{INTERNAL} = 32 \Omega$
- Oa Analog output
- Ot2 Digital output, TTL-compatible, 2 mA, $Z_{INTERNAL} = 120 \Omega$
- Ot12 Digital output, TTL-compatible, 12 mA, $Z_{INTERNAL} = 32 \Omega$

- AGND Analog Ground
- GND Digital Ground

See CX20437 VC Digital Electrical Characteristics (Table 3-9) and CX20437 VC Analog Electrical Characteristics (Table 3-10).

2. Interface Legend:

- HSD Host Side Device

Table 3-8. CX20437 VC Pin Signal Definitions

Label	Pin	I/O Type	Signal Name/Description
SYSTEM SIGNALS			
VDD	17, 25	PWR	Digital Power Supply. Connect to +3.3V and digital circuits power supply filter.
MAVDD	5	PWR	Analog Power Supply. Connect to +3.3V and analog circuits power supply filter.
VSS	28	GND	Digital Ground. Connect to GND.
MAVSS	6	AGND	Analog Ground. Connect to AGND.
VSUB	27	GND	Analog Ground. Connect to AGND.
POR	4	Itpu	Power-On Reset. Active low reset input. Connect to Host RESET#.
SET3V_BAR2	26	Itpu	Set +3.3V Analog Reference. Connect to GND.
HSD INTERCONNECT			
SLEEP	1	Itpd	IA Sleep. Active high sleep input. Connect to HSD IASLEEP pin.
M_CLKIN	19	Itpd	Master Clock Input. Connect to HSD M_CLK pin.
M_SCK	21	Ot2	Serial Clock Output. Connect to HSD V_SCLK pin.
M_CNTRL_SIN	18	Itpd	Control Input. Connect to HSD V_CTRL pin.
M_STROBE	23	Ot2	Serial Frame Sync. Connect to HSD V_STROBE pin.
M_TXSIN	20	Itpd	Serial Transmit Data. Connect to HSD V_TXSIN pin.
M_RXOUT	22	Ot2	Serial Receive Data. Connect to HSD V_RXOUT pin.
TELEPHONE LINE (DAA)/AUDIO INTERFACE AND REFERENCE VOLTAGE			
M_LINE_OUTP	9	O(DF)	Telephone Handset Out (TELOUT). Single-ended analog data output to the telephone handset circuit. The output can drive a 300 Ω load.
M_LINE_IN	14	I(DA)	Telephone Handset Out (TELIN). Single-ended analog data input from the telephone handset circuit.
M_MIC_IN	13	I(DA)	Microphone Input. Single-ended from the microphone circuit.
M_SPKR_OUT	3	O(DF)	Modem Speaker Analog Output. The M_SPKR_OUT analog output reflects the received analog input signal. The M_SPKR_OUT on/off and three levels of attenuation are controlled by bits in DSP RAM. When the speaker is turned off, the M_SPKR_OUT output is clamped to the voltage at the VC pin. The M_SPKR_OUT output can drive an impedance as low as 300 ohms. In a typical application, the M_SPKR_OUT output is an input to an external LM386 audio power amplifier.
VREF	11	REF	High Voltage Reference. Connect to VC through 10 μF and 0.1 μF (ceramic) in parallel. Ensure a very close proximity between these capacitors and VREF pin.
VC	12	REF	Low Voltage Reference. Connect to analog ground through ferrite bead in series with a parallel combination of 10 μF and 0.1 μF (ceramic). Ensure a very close proximity between these capacitors and VC pin. Use a short path and a wide trace to AGND pin. Also connect to handset interface circuit (VC_HAND) through a ferrite bead.

Table 3-8. CX20437 VC Pin Signal Definitions (Continued)

Label	Pin	I/O Type	Signal Name/Description
NOT USED			
M_DIG_SPEAKER	2	Ot2	Not Used. Leave open.
M_LINE_OUTM	10	Oa	Not Used. Leave open.
M_RELAYA	24	Ot	Not Used. Leave open.
M_RELAYB	16	Ot	Not Used. Leave open.
M_MIC_BIAS	15	Oa	Not Used. Leave open.
M_ACT90	29	ltpu	Not Used. Leave open.
M_1BIT_OUT	30	Ot2	Not Used. Leave open.
D_LPBK_BAR	31	It	Not Used. Leave open.
NC	7, 8, 32	NC	Internal No Connect.
NOTES:			
1. I/O types:			
Ia	Analog input		
It	Digital input, TTL-compatible		
ltpd	Digital input, TTL-compatible, internal 75k \pm 25k Ω pull-down		
ltpu	Digital input, TTL-compatible, internal 75k \pm 25k Ω pull-up		
It/Ot2	Digital input, TTL-compatible/digital output, TTL-compatible, 2 mA, Z _{INTERNAL} = 120 Ω		
It/Ot12	Digital input, TTL-compatible/digital output, TTL-compatible, 12 mA, Z _{INTERNAL} = 32 Ω		
Oa	Analog output		
Ot2	Digital output, TTL-compatible, 2 mA, Z _{INTERNAL} = 120 Ω		
Ot12	Digital output, TTL-compatible, 12 mA, Z _{INTERNAL} = 32 Ω		
AGND	Analog Ground		
GND	Digital Ground		
See CX20437 VC Digital Electrical Characteristics (Table 3-9) and CX20437 VC Analog Electrical Characteristics (Table 3-10).			
2. Interface Legend:			
HSD	Host Side Device		

Table 3-9. CX20437 VC Digital Electrical Characteristics

Parameter	Symbol	Min.	Typ.	Max.	Units	Test Conditions
Input Voltage Low	V _{IN}	-0.30	–	VDD+0.3	V	
Input Voltage Low	V _{IL}	-0.30	–	VDD+0.3	V	
Input Voltage High	V _{IH}	0.4*VDD	–	–	V	
Output Voltage Low	V _{OL}	0	–	0.4	V	
Output Voltage High	V _{OH}	0.8*VDD	–	VDD	V	
Input Leakage Current	–	-10	–	10	μA	
Output Leakage Current (High Impedance)	–	-10	–	10	μA	

Test conditions unless otherwise noted:
 1. Test Conditions unless otherwise stated: VDD = +3.3 ± 0.3 VDC; TA = 0°C to 70°C; external load = 50 pF

Table 3-10. CX20437 VC Analog Electrical Characteristics

Signal Name	Type	Characteristic	Value
M_LINE_IN (TELIN), M_MIC_IN	I (DA)	Input Impedance AC Input Voltage Range Reference Voltage	> 70K Ω 1.1 VP-P +1.35 VDC
M_LINE_OUTP (TELOUT)	O (DD)	Minimum Load Maximum Capacitive Load Output Impedance AC Output Voltage Range Reference Voltage DC Offset Voltage	300 Ω 0 μF 10 Ω 1.4 VP-P (with reference to ground and a 600 Ω load) +1.35 VDC ± 200 mV
M_SPKR_OUT	O (DF)	Minimum Load Maximum Capacitive Load Output Impedance AC Output Voltage Range Reference Voltage DC Offset Voltage	300 Ω 0.01 μF 10 Ω 1.4 VP-P +1.35 VDC ± 20 mV

Test conditions unless otherwise noted:
 1. Test Conditions unless otherwise stated: VDD = +3.3 ± 0.3 VDC; MAVDD = +3.3 ± 0.3 VDC, TA = 0°C to 70°C

Parameter	Min	Typ	Max	Units
DAC to Line Driver output (600Ω load, 3dB in SCF and CTF) SNR/SDR at: 4Vp-p differential 2Vp-p differential -10dBm differential		88/85 82/95 72/100		dB
DAC to Speaker Driver output (150Ω load, 3dB in SCF and CTF, -6dB in speaker driver) SNR/SDR at: 2Vp-p 1Vp-p -10dBm		88/75 82/80 72/83		dB
Line Input to ADC (6dB in AAF) SNR/SDR at -10 dBm		80/95		dB
Input Leakage Current (analog inputs)	-10		10	μA
Output Leakage Current (analog outputs)	-10		10	μA

3.4 ELECTRICAL ENVIRONMENTAL, AND TIMING SPECIFICATIONS

1.1.1 Operating Conditions, Absolute Maximum Ratings, and Power Requirements

The operating conditions are specified in Table 3-11.

The absolute maximum ratings are listed in Table 3-12.

The current and power requirements are listed in Table 3-13.

Table 3-11. Operating Conditions

Parameter	Symbol	Limits	Units
Supply Voltage	V_{DD}	+3.0 to +3.6	VDC
Operating Temperature Range	T_A	0 to +70	°C

Table 3-12. Absolute Maximum Ratings

Parameter	Symbol	Limits	Units
Supply Voltage	V_{DD}	-0.5 to +4.0	VDC
Input Voltage	V_{IN}	-0.5 to (VIO +0.5)*	VDC
Storage Temperature Range	T_{STG}	-55 to +125	°C
Analog Inputs	V_{IN}	-0.3 to (MAVDD + 0.5)	VDC
Voltage Applied to Outputs in High Impedance (Off) State	V_{HZ}	-0.5 to (VIO +0.5)*	VDC
DC Input Clamp Current	I_{IK}	±20	mA
DC Output Clamp Current	I_{OK}	±20	mA
Static Discharge Voltage (25°C)	V_{ESD}	±2500	VDC
Latch-up Current (25°C)	I_{TRIG}	±400	mA

* VIO = +3.3V ± 0.3V or +5V ± 5%.

Caution: Handling CMOS Devices

These devices contain circuitry to protect the inputs against damage due to high static voltages. However, it is advised that normal precautions be taken to avoid application of any voltage higher than maximum rated voltage.

An unterminated input can acquire unpredictable voltages through coupling with stray capacitance and internal cross talk. Both power dissipation and device noise immunity degrades. Therefore, all inputs should be connected to an appropriate supply voltage.

Input signals should never exceed the voltage range from 0.5V or more negative than GND to 0.5V or more positive than VDD. This prevents forward biasing the input protection diodes and possibly entering a latch up mode due to high current transients.

Table 3-13. Current and Power Requirements

		Conditions		Current		Power	
CX11250 HSD + CX20463 LSD							
Device State (Dx) and Bus State (Bx)	PCI Bus Power	PCI Clock (PCICLK)	Line Connection	Typical Current (mA)	Maximum Current (mA)	Typical Power (mW)	Maximum Power (mW)
D0, B0	On	Running	Yes	38.4	42.2	127	152
D0, B0	On	Running	No	10.4	11.4	34.3	41.0
D3, B0	On	Running	No	8.3	9.2	27.4	33.1
D3, B1	On	Running	No	8.3	9.2	27.4	33.1
D3, B2, B3 (D3hot)	On	Stopped	No	8.3	9.2	27.4	33.1
D3, B3 (D3cold)	Off	Stopped	No	2.4	2.7	7.9	9.7

NOTES:

Operating voltage: VDD = +3.3V ± 0.3V.

Test conditions: VDD = +3.3 VDC for typical values; VDD = +3.6 VDC for maximum values.

Definitions:

- PCI Bus Power On: PCI Bus +5V and +3.3V on (modem normally powered by +3.3V from PCI Bus +3.3V or regulated down from PCI Bus +5V); PCIRST# not asserted.
Off: PCI Bus +5V and +3.3V off (modem normally powered by +3.3V from Vaux or Vpci); PCIRST# asserted.
- Mini PCI Bus Power On: PCI Bus +3.3V on (modem normally powered by +3.3V from PCI Bus +3.3V; PCIRST# not asserted.
Off: PCI Bus +3.3V off (modem normally powered by +3.3V from Vaux or Vpci); PCIRST# asserted.
- PCI Clock (PCICLK) Running: PCI Bus signal PCICLK running (PCI Bus and Mini PCI Bus only).
Stopped: PCI Bus signal PCICLK stopped (off) (PCI Bus and Mini PCI Bus only).
- Line connection: Yes: Off-hook, IA powered.
No: On-hook, IA powered down.
- Device States: D3: Low power state. Suspend state can change the system power state; the resulting power state depends on the system architecture (OS, BIOS, hardware) and system configuration (i.e., other PCI installed cards).
D0: Full power state.
- Device and Bus States: D0, B0: Any PCI transaction, PCICLK running, VCC present.
D3, B1: No PCI Bus transactions, PCICLK running, VCC present.
D3, B2, B3: No PCI transactions, PCICLK stopped, VCC may be present.
D3, B3: No PCI transactions, PCICLK stopped, no VCC.

Refer to the PCI Bus Power Management Interface Specification for additional information.

3.4.2 SERIAL EEPROM INTERFACE TIMING

The serial EEPROM interface timing is listed in Table 3-14 and is shown in Figure 3-7.

Table 3-14. Timing - Serial EEPROM Interface

Symbol	Parameter	Min	Typ.	Max	Units	Test Condition
t_{CSS}	Chip select setup	200 (Note 1)	-	-	ns	
t_{CSH}	Chip select hold	500 (Note 1)	-	-	ns	
t_{DIS}	Data input setup	200 (Note 1)	-	-	ns	
t_{DIH}	Data input hold	1600	-	-	ns	
t_{PD0}	Data input delay	50	-	-	ns	
t_{PD1}	Data input delay	50	-	-	ns	
t_{DF}	Data input disable time	-	-	Note 2	ns	
t_{SV}	Status valid	-	-	Note 3	ns	
t_{SKH}	Clock high	900 (Note 1)	-	-	ns	
t_{SKL}	Clock low	900 (Note 1)	-	-	ns	
-	Endurance	-	10^6	-	Cycles	

NOTES:

1. Minimum times for HSD outputs when PCI clock = 33 MHz (times increase with decreasing PCI clock frequency).
2. No requirement.
3. Timing controlled by software for programming of EEPROM. No requirement for EEPROM read into HSD.

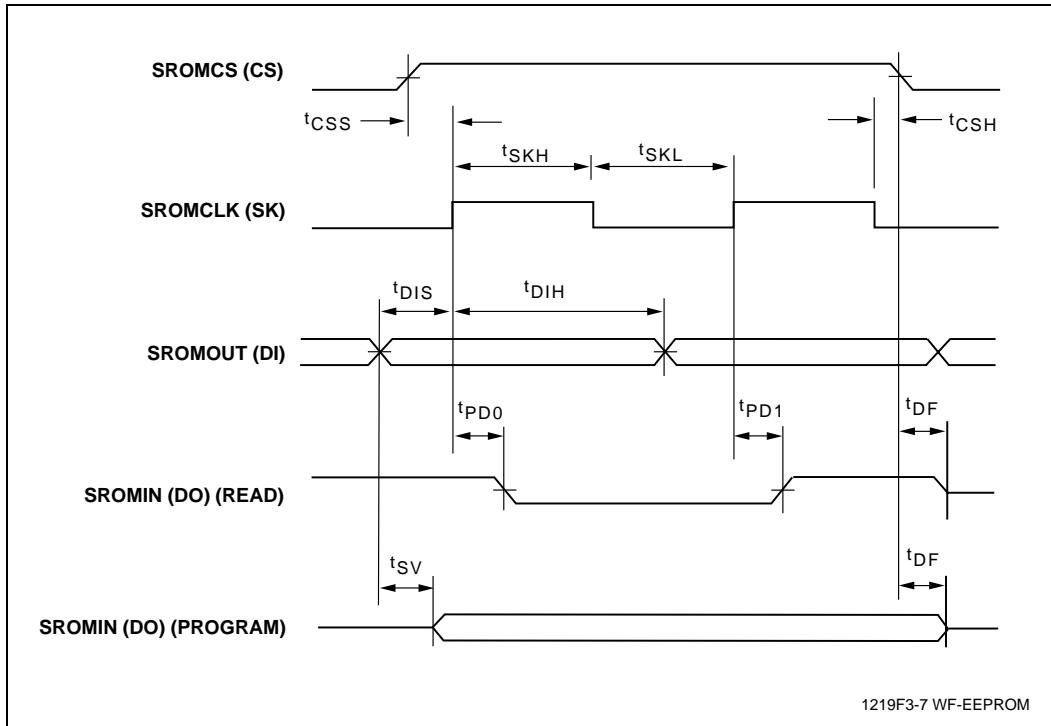


Figure 3-7. Waveforms - Serial EEPROM Interface

4. HOST SOFTWARE INTERFACE

4.1 PCI CONFIGURATION REGISTERS

The PCI Configuration registers are located in the HSD. Table 4-1 identifies the configuration register contents that are supported in the HSD:

Table 4-1. PCI Configuration Registers

Offset (Hex)	Bit			
	31:24	23:16	15:8	7:0
00	Device ID		Vendor ID	
04	Status (see Table 4-2)		Command (see Table 4-3)	
08	Class Code			Revision ID
0C	Not Implemented	Header Type	Latency Timer	Not Implemented
10	Base Address 0 - Memory (HSD)			
14	Base Address 1 - I/O (Dummy)			
18	Unused Base Address Register			
1C	Unused Base Address Register			
20	Unused Base Address Register			
24	Unused Base Address Register			
28	CIS Pointer (Not used)			
2C	Subsystem ID		Subsystem Vendor ID	
30	Not Implemented			
34	Reserved			Cap Ptr
38	Reserved			
3C	Max Latency	Min Grant	Interrupt Pin	Interrupt Line
40	Power Management Capabilities (PMC) (see Table 4-4)		Next Item Ptr = 0	Capability ID =01h
44	Data	PMCSR_BSE = 0 Bridge Support Extensions	Power Management Control/Status Register (PMCSR) (see Table 4-5)	

4.1.1 0x00 - Vendor ID Field

This 16-bit read-only field identifying the device manufacturer is loaded from the serial EEPROM after reset events. The value is 14F1 for Conexant.

4.1.2 0x02 - Device ID Field

This 16-bit read-only field identifying the particular device is loaded from the serial EEPROM after reset events. The default Device ID if serial EEPROM is not loaded is 0x1085.

4.1.3 0x04 - Command Register

Command Register										
15 – 10	9	8	7	6	5	4	3	2	1	0
Reserved	r/w	r/w	0	r/w	0	0	0	r/w	R/w	r/w

r/w indicates the bit is read or write.

The Command Register bits are described in Table 4-2.

Table 4-2. Command Register

Bit	Description
0	Controls a device's response to I/O Space accesses. A value of 0 disables the device response. A value of 1 allows the device to respond to I/O Space accesses. The bit state is 0 after PCIRST# is deasserted.
1	Controls a device's response to Memory Space accesses. A value of 0 disables the device response. A value of 1 allows the device to respond to Memory Space accesses. The bit state is 0 after PCIRST# is deasserted.
2	Controls a device's ability to act as a master on the PCI Bus. A value of 0 disables the device from generating PCI accesses. A value of 1 allows the device to behave as a bus master. The bit state is 0 after PCIRST# is deasserted.
5-3	Not Implemented.
6	This bit controls the device's response to parity errors. When the bit is set, the device must take its normal action when a parity error is detected. When the bit is 0, the device must ignore any parity errors that it detects and continue normal operation. The bit state is 0 after PCIRST# is deasserted.
7	This bit is used to control whether or not a device does address/data stepping. This bit is read only from the PCI interface. It is loaded from the serial EEPROM after PCIRST# is deasserted.
8	This bit is an enable bit for the SERR# driver. A value of 0 disables the SERR# driver. A value of 1 enables the SERR# driver. The bit state is 0 after PCIRST# is deasserted.
9	This bit controls whether or not a master can do fast back-to-back transactions to different devices. A value of 1 means the master is allowed to generate fast back-to-back transactions to different agents as described in Section 3.4.2 of the PCI 2.1 specification. A value of 0 means fast back-to-back transactions are only allowed to the same agent. The bit state is 0 after PCIRST# is deasserted.
15-10	Reserved

4.1.4 0x06 - Status Register

Status Register Bits											
15	14	13	12	11	10 – 9	8	7	6	5	4	3 - 0
r/c	r/c	r/c	r/c	r/c	01	r/c	0	0	0	1	0000

r/c indicates the bit is readable and clearable (by writing a '1' to corresponding bit position)

The Status Register bits are described in Table 4-3.

Status register bits may be cleared by writing a '1' in the bit position corresponding to the bit position to be cleared. It is not possible to set a status register bit by writing from the PCI Bus. Writing a '0' has no effect in any bit position.

Table 4-3. Status Register

Bit	Description
3-0	Reserved
4	Extended capabilities = 1.
7-5	Not Implemented.
8	This bit is only implemented by bus masters. It is set when three conditions are met: 1) the bus agent asserted PERR# itself or observed PERR# asserted; 2) the agent setting the bit acted as the bus master for the operation in which the error occurred; and 3) the Parity Error Response bit (Command Register) is set.
10-9	These bits encode the timing of DEVSEL#. 01 is supported corresponding to medium speed.
11	Signaled Target Abort. Not implemented.
12	Received Target Abort. This bit must be set by a master device whenever its transaction is terminated with Target-Abort.
13	Received Master Abort. This bit must be set by a master device whenever its transaction (except for Special Cycle) is terminated with Master-Abort.
14	Signaled System Error. This bit must be set whenever the device asserts SERR#.
15	Detected Parity Error. This bit must be set by the device whenever it detects a parity error, even if parity error handling is disabled (as controlled by bit 6 in the Command register).

4.1.5 0x08 - Revision ID Field

This 8-bit read-only field identifying the device revision number is hardcoded in the device.

4.1.6 0x09 - Class Code Field

This 24-bit field, contains three 8-bit sub-fields. The upper byte is a base class code: 07 indicates a communications controller. The middle byte is a sub-class code: 80 indicates "other" type of device. The lower byte is 00 which indicates no register level programming defined. The value of the entire Class Code field is 0x078000.

4.1.7 0x0D - Latency Timer Register

The Latency Timer register specifies, in units of PCI Bus clocks, the value of the Latency Timer for this PCI Bus master. This register has 5 read/write bits (MSBs) plus 3 bits of hardwired zero (LSBs). The Latency Timer Register is loaded into the PCI Latency counter each time FRAME# is asserted to determine how long the master is allowed to retain control of the PCI Bus. This register is loaded by system software. The default value for Latency Timer is 00.

4.1.8 0x0E - Header Type Field

Hardwired to 00.

4.1.9 0x28 - CIS Pointer Register

This register points to the CIS memory located in the HSD's memory space.

4.1.10 0x2C - Subsystem Vendor ID Register

Subsystem Vendor ID register is supported. Loaded from the serial EEPROM after PCIRST# is deasserted.

4.1.11 0x2E- Subsystem ID Register

Subsystem ID register is supported. Loaded from the serial EEPROM after PCIRST# is deasserted.

4.1.12 0x34 - Cap Ptr

Capabilities Pointer (CAP_PTR) at offset 0x34 containing hardcoded value 0x40.

4.1.13 0x3C - Interrupt Line Register

The Interrupt Line register is a read/write 8-bit register. POST software will write the value of this register as it initializes and configures the system. The value in this register indicates which of the system interrupt controllers the device's interrupt pin is connected to.

4.1.14 0x3D - Interrupt Pin Register

The Interrupt Pin register tells which interrupt pin the device uses. The value of this register is 0x01, indicating that INTA# will be used.

4.1.15 0x3E - Min Grant Register

The Min Grant register is used to specify the devices desired settings for Latency Timer values. The value specifies a period of time in units of 0.25 microsecond. Min Grant is used for specifying the desired burst period assuming a 33 MHz clock. This register is loaded from the serial EEPROM after PCIRST# is deasserted.

4.1.16 0x3F - Max Latency Register

The Max Latency register is used to specify the devices desired settings for Latency Timer values. The value specifies a period of time in units of 0.25 microsecond. Min Latency specifies how often the device needs to gain access to the PCI Bus. This register is loaded from the serial EEPROM after PCIRST# is deasserted.

4.1.17 0x40 - Capability Identifier

The Capability Identifier is set to 01h to indicate that the data structure currently being pointed to is the PCI Power Management data structure.

4.1.18 0x41 - Next Item Pointer

The Next Item Pointer register describes the location of the next item in the function's capability list. The value given is an offset into the function's PCI Configuration Space. The value of 00h indicates there are no additional items in the capabilities list.

4.1.19 0x42 - PMC - Power Management Capabilities

The HSD contains power management as described in the PCI Power Management Specification, Revision 1.0 Draft, dated Mar 18, 1997.

The HSD Configuration registers include the following Power Management features:

- Status register bit 4 set to 1 to indicate support for New Capabilities
- Capabilities Pointer (CAP_PTR) at offset 0x34 containing hardcoded value 0x40
- Power Management Register block at offset 0x40 and 0x44 (see Table 4-1)

The Power Management Capabilities register is a 16-bit read-only register which provides information on the capabilities of the function related to power management (Table 4-4).

Table 4-4. Power Management Capabilities (PMC) Register

Bit	R/W	Description
2:0	R	Version. 010b indicates compliance with Revision 1.0 of the <i>PCI Power Management Interface Specification</i> .
3	R	PME Clock. Hard coded to 0 to indicate that the PCI clock is not required for PME generation.
4	R	Reserved (= 0).
5	R	DSI (Device Specific Initialization). Loaded from serial EEPROM.
8:6	R	Aux. Current. Loaded from serial EEPROM.
9	R	D1_Support. When set to a 1, the HSD device supports D1 power state (loaded from serial EEPROM).
10	R	D2_Support. When set to a 1, the HSD device supports D2 power state (loaded from serial EEPROM).
15:11	R	These 5 bits indicate which power states allow assertion of PME (loaded from serial EEPROM). A value of 0 for any bit indicates that the function cannot assert the PME# signal while in that power state. Bit 11: 1 = PME# can be asserted from D0 Bit 12: 1 = PME# can be asserted from D1 Bit 13: 1 = PME# can be asserted from D2 Bit 14: 1 = PME# can be asserted from D3hot Bit 15: 1 = PME# can be asserted from D3cold.

4.1.20 0x44 - PMCSR - Power Management Control/Status Register (Offset = 4)

This 16-bit register is used to manage the PCI function's power management state as well as to enable/monitor power management events (Table 4-5).

Table 4-5. Power Management Control/Status Register (PMCSR)

Bit	R/W	Description
1:0	R/W	Power State. 00 = D0 01 = D1 10 = D2 11 = D3.
7:2	R	Reserved (= 000000b).
8	R/W	PME_En. A 1 enables PME assertion.
12:9	R/W	Data_Select. Selects Data and Data Scale fields.
14:13	R	Data Scale. Associated with Data field. Loaded from serial EEPROM.
15:11	R/C	PME_Status. This bit is sticky when PME assertion from D3_cold is supported. PME_Status = 1 indicates PME asserted by the HSD device. Writing 1 clears PME_Status. Writing 0 has no effect.
R: Bit(s) is (are) read only. R/W: Bit(s) is (are) readable and writeable. R/C: Bit(s) is (are) readable, and clearable by writing 1 (bit may not be set by writing).		

4.1.21 0x46 - PMCSR_BSE - PMCSR PCI to PCI Bridge Support Extensions

PMCSR_BSE is cleared to 0 to indicate that bus power/clock control policies have been disabled.

4.1.22 0x47 - Data

This register is used to report the state dependent data requested by the Data_Select field. The value of this register is scaled by the value reported by the Data_Scale field.

4.2 BASE ADDRESS REGISTER

HSD provides a single Base Address Register. The Base Address Register is a 32-bit register that is used to access the HSD register set. Bits 3:0 are hard-wired to 0 to indicate memory space. Bits 15-4 will be hard-wired to 0. The remaining bits (31 - 16) will be read/write. This specifies that this device requires a 64k byte address space. After reset, the Base Address Register contains 0x00000000.

The 64k byte address space used by the HSD is divided into 4k-byte regions. Each 4k-byte region is used as Table 4-6.

Table 4-6. HSD Address Map

Address [15:12]	Address [11:0]	Region Name	Description
0x0	0x0-0xfff	BASIC2 Registers	Buffers, control, and status registers
0x1	0x0-0xfff	CIS Memory	Data loaded from Serial EEPROM for Card Bus applications
0x2	0x0-0xfff	DSP Scratch Pad	Access to DSP scratch pad registers
0x3	0x0-0xfff	Reserved	
0x4	0x0-0xfff	Reserved	
0x5-0xF	0x0-0xfff	Reserved.	

4.3 SERIAL EEPROM INTERFACE

The PCI Configuration Space Header and Power Management registers customizable fields are loaded from EEPROM during Power On Reset and during D3 to D0 power transition soft reset. If the EEPROM is missing, default hard-coded values are used. This section describes how the EEPROM content maps into the registers. The PCI Configuration Space Header and Power Management information is used by the PC BIOS/Windows OS to find the driver for this board and also to find out the extent PCI Power Management is typically supported on the modem board.

Obtain the appropriate EEPROM.TXT file (unique to each software configuration) from the local Conexant sales office.

4.3.1 Supported EEPROM Sizes

Two EEPROM sizes are supported: 256 by 16 bit (e.g., 93LC66B) as shown in Table 4-7 and 128 by 16 bit (e.g., 93LC56B) as shown in Table 4-8. The difference is the 256-word version supports modem default country selection from the EEPROM whereas the 128-word version does not.

The EEPROM text file used by the DOS4GW B2EEPROM program utility lists the EEPROM content 8 bits per line in hexadecimal format. The least significant 8 bits are listed first followed by the most significant 8 bits of the 16-bit word.

Table 4-7. EEPROM Content for 256 Words by 16 Bits per Word

Address	15	14	13	12	11	10	9	8	7	6	5	4	3	2	1	0
00	Device ID															
01	Vendor ID															
02	Subsystem Device ID															
03	Subsystem Vendor ID															
04	Max_Lat								Min_Gnt							
05	Don't Care				PMC bit 8	PMC bit 7	PMC bit 6	PME DRV	Class Code							
06	Sub-Class Code								Prog. I/F							
07	CardBus CIS Pointer High (Not used, don't care)															
08	CardBus CIS Pointer Low (Not used, don't care)															
09	D0C		D1C		D2C		D3C		D0D		D1D		D2D		D3D	
0A	D3 power consumed								D2 power consumed							
0B	D1 power consumed								D0 power consumed							
0C	D3 power dissipated								D2 power dissipated							
0D	D1 power dissipated								D0 power dissipated							
0E	D3_ Cold	D3_ Hot	D2	D1	D0	D2_ State	D1_ State	DSI	Load CISRAM Count							
0F-FE	Don't Care								Don't Care							
FF	Don't Care								Don't Care							

Table 4-8. EEPROM Content for 128 Words by 16 Bits per Word

Address	15	14	13	12	11	10	9	8	7	6	5	4	3	2	1	0
00	Device ID															
01	Vendor ID															
02	Subsystem Device ID															
03	Subsystem Vendor ID															
04	Max_Lat								Min_Gnt							
05	Don't Care				PMC bit 8	PMC bit 7	PMC bit 6	PME DRV	Class Code							
06	Sub-Class Code								Prog. I/F							
07	CardBus CIS Pointer High (Not used, don't care)															
08	CardBus CIS Pointer Low (Not used, don't care)															
09	D0C		D1C		D2C		D3C		D0D		D1D		D2D		D3D	
0A	D3 power consumed								D2 power consumed							
0B	D1 power consumed								D0 power consumed							
0C	D3 power dissipated								D2 power dissipated							
0D	D1 power dissipated								D0 power dissipated							
0E	D3_ Cold	D3_ Hot	D2	D1	D0	D2_ State	D1_ State	DSI	Load CISRAM Count (Not Used, don't care)							
0F-7F	Don't Care								Don't Care							

4.3.2 Definitions

Device ID Register

This mandatory 16-bit register identifies the type of device and is assigned by Conexant. Valid values are:

Modem-Interface	Modem Part Number	Device ID	Comments
U.S./Japan/Canada Only			
SmartHSF/MC-PCI	CX11250-11 + 20463-12	2493	Data/Fax
SmartHSF/MC-PCI	CX11250-11 + 20463-12	2494	Data/Fax/Remote TAM
SmartHSF/MC-PCI	CX11250-11 + 20463-12	2193	Data/Fax/Cellular
SmartHSF/MC-PCI	CX11250-11 + 20463-12	2194	Data/Fax/Remote TAM/Cellular
SmartHSF/MS-PCI	CX11250-11 + 20463-12 + 20437-11	2495	Data/Fax/Voice/Speakerphone
SmartHSF/MS-PCI	CX11250-11 + 20463-12 + 20437-11	2496	Full-Featured minus Handset
Worldwide including U.S./Japan/Canada			
SmartHSF/MWC-PCI	CX11250-11 + 20463-11	24A3	Data/Fax
SmartHSF/MWC-PCI	CX11250-11 + 20463-11	24A4	Data/Fax/Remote TAM
SmartHSF/MWC-PCI	CX11250-11 + 20463-11	21A3	Data/Fax/Cellular
SmartHSF/MWC-PCI	CX11250-11 + 20463-11	21A4	Data/Fax/Remote TAM/Cellular
SmartHSF/MWS-PCI	CX11250-11 + 20463-11 + 20437-11	24A5	Data/Fax/Voice/Speakerphone
SmartHSF/MWS-PCI	CX11250-11 + 20463-11 + 20437-11	24A6	Full-Featured minus Handset
NOTE: The CX prefix may not be included in the part number for some devices. Also, the CX prefix may not appear in the part number as branded on some devices.			

Vendor ID Register

This mandatory 16-bit register identifies the manufacturer of the device. The value in this read-only register is assigned by a central authority (i.e., the PCI SIG) that controls the issuance of the numbers. The value is 14F1 for Conexant.

Subsystem Vendor ID and Subsystem Device Register

The subsystem vendor ID is obtained from the SIG, while the vendor supplies its own subsystem device ID. These values are supplied by OEM. Until these values are assigned, Conexant uses default values for Subsystem Vendor ID and Subsystem Device ID which are the same as Vendor ID and Device ID, respectively.

A PCI functional device may be contained on a card or be embedded within a subsystem. Two cards or subsystems that use the same PCI functional device core logic would have the same vendor and device IDs. These two optional registers are used to uniquely identify the add-in card or subsystem that the functional device resides within. Software can then distinguish the difference between cards or subsystems manufactured by different vendors but with the same PCI functional device on the card or subsystem. A value of zero in these registers indicates that there isn't a subsystem vendor and subsystem ID associated with the device.

Min_Gnt Register

This register is assigned by Conexant. The value is 00.

This register is optional for a bus master and not applicable to non-master devices. This register indicates how long the master would like to retain PCI Bus ownership whenever it initiates a transaction. The value hardwired into this register indicates how long a burst period the device needs (in increments of 250 ns). A value of zero indicates the device has no stringent requirements in this area. This information is useful in programming the algorithm to be used in the PCI Bus arbiter (if it is programmable).

Max_Lat Register

This register is assigned by Conexant. The value is 00.

This register is optional for a bus master and not applicable to non-master devices. The specification states that this read-only register specifies "how often" the device needs access to the PCI Bus (in increments of 250 ns). A value of zero indicates the device has no stringent requirements for the data. This register could be used to determine the priority-level the bus arbiter assigns to the master.

PMC [8:6] and PME DRV Type

These fields are assigned by Conexant.

PMC [8:6]: This 3-bit field reports the 3.3Vaux auxiliary current requirements for the PCI function. If the Data Register has been implemented by this function then 1) reads of this field must return a value of “000b” 2) Data Register takes precedence over this field for 3.3Vaux current requirements. If PME# generation from D3cold is not supported by the function (PMC(15)=0), then this field must return a value of “000b” when read. The value is 000b.

PME DRV Type: This bit sets the driving capability of the PME pin (0 = active high TTL, 1 = active low Open Drain). The value is 1.

Class Code Register (Class Code, Sub-class Code, Prog. I/F)

This register is always mandatory and is assigned by Conexant. The value is 07 for Class Code, 80 for Sub-class code, and 00 for Prog. I/F.

This register is a 24-bit read-only register divided into three sub-registers: base class, sub-class, and Prog. I/F (programming interface). The register identifies the basic function of the device via the base class (i.e. for modems: Simple Communications Controller), a more specific device sub-class (i.e. for modems: Other Communications Device), and in some cases a register-specific programming interface (not used for modems).

CardBus CIS Pointer (CardBus CIS pointer High, CardBus CIS pointer Low) (Not Used)

This read-only register is not used.

Data Scale PMCSR[14:13] (D0C, D1C, D2C, D3C, D0D, D1D, D2D, D3D)

This value is supplied by the OEM since Conexant implements the Data Register. Until these values are assigned, Conexant uses a default value 0000.

This field is required for any function that implements the Data Register. The data scale is a 2-bit read-only field which indicates the scaling factor to be used when interpreting the value of the Data Register. The value and meaning of this field will vary depending on which data value has been selected by the Data_Select field (PMCSR[12:09]). There are 4 data scales to select 1) 0 = unknown 2) 1 = 0.1x, 3) 2 = 0.01x, 4) 3 = 0.001x where x is defined by the Data Select Field.

Data Register (D3, D2, D1, D0 power consumed and D3, D2, D1, D0 power dissipated)

This value is supplied by the OEM since Conexant implements the Data Register. Until these values are assigned, Conexant uses a default value of 0000000000000000.

The Data Register is an optional, 8-bit read-only register that provides a mechanism for the function to report state dependent operating data such as power consumed or heat dissipation. Typically the data returned through the Data register is a static copy (look up table, for example) of the function’s worst case “DC characteristics” data sheet. This data, when made available to system software could then be used to intelligently make decisions about power budgeting, cooling requirements, etc. The data returned by the data register is selected by the Data Select field (PMCSR[12:09]).

Load CISRAM Count (CIS_SIZE) (Not Used)

This register is not used.

PMC[15:9, 5] (D3_Cold, D3_Hot, D2, D1, D0, D2_Support, D1_Support, DSI)

PMC[15:11]: PME_Support (D3_Cold, D3_Hot, D2, D1, D0)- This 5-bit field indicates the power states in which the function may assert PME#. A value of 0b for any bit indicates that the function is not capable of asserting the PME# signal while in that power state. D2 and D1 must be 0 since the modem does not support these states. The rest of the values are supplied by the OEM and the values depend upon the systems in which the modem will be installed. Conexant uses a default value of 49. This is for a system which does not support D3cold but supports D3hot.

When D3_Cold is a 1, PMC[15] is set to a 1 if VauxDET is high at device power on reset (POR) or is reset to a 0 if VauxDET is low at POR. When D3_Cold is a 0, PMC[15] is always 0, regardless of the VauxDET level.

PMC[10] (D2_Support): If this bit is a 1 then function supports the D2 Power Management State. Currently the modems do not support this state and therefore this field must be 0.

PMC[9] (D1_Support): If this bit is a 1 then function supports the D1 Power Management State. Currently the modems do not support this state and therefore this field must be 0.

DSI: The Device Specific Initialization bit indicates whether special initialization of this function is required (beyond the standard PCI configuration header) before the generic class device driver is able to use it. This bit should always be set to “1”.

NOTE: For more information, refer to PCI Bus Power Management Interface Specification.

5. PACKAGE DIMENSIONS

The 100-pin TQFP package dimensions are shown in Figure 5-1.

The 32-pin TQFP package dimensions are shown in Figure 5-2.

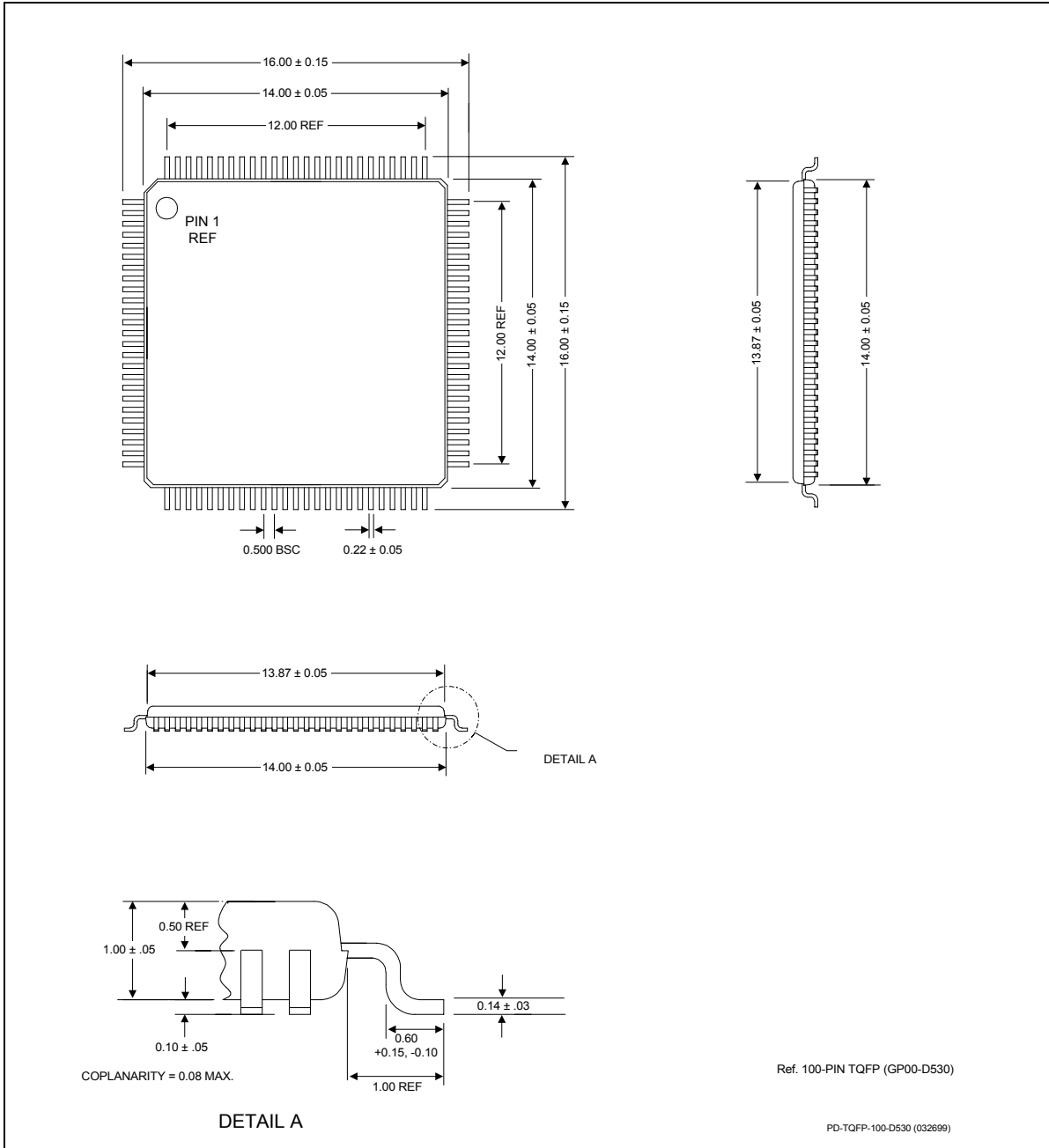


Figure 5-1. Package Dimensions - 100-Pin TQFP

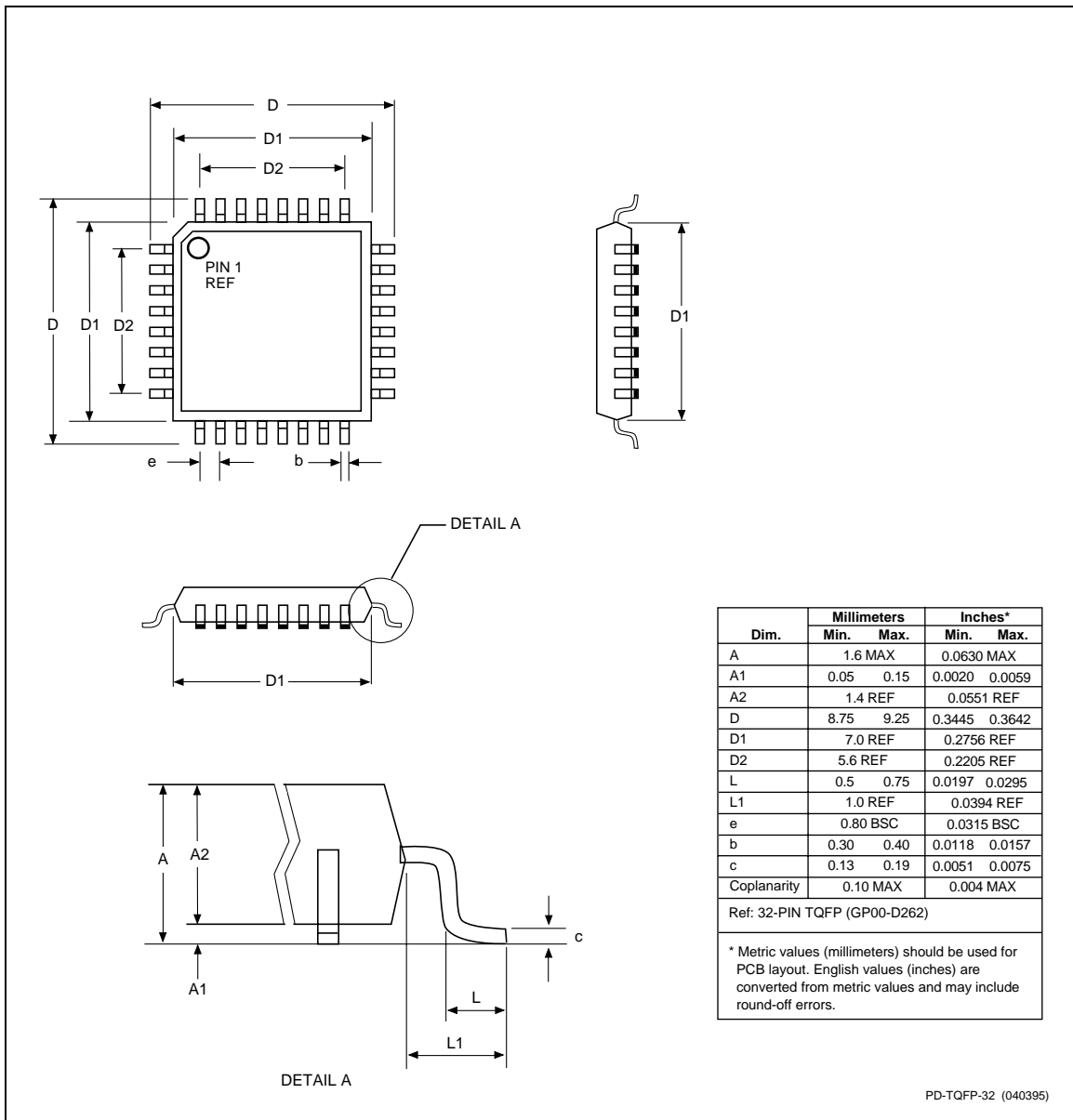


Figure 5-2. Package Dimensions - 32-pin TQFP

NOTES



Further Information

literature@conexant.com
(800) 854-8099 (North America)
(949) 483-6996 (International)
Printed in USA

World Headquarters

Conexant Systems, Inc.
4311 Jamboree Road
Newport Beach, CA
92660-3007
Phone: (949) 483-4600
Fax 1: (949) 483-4078
Fax 2: (949) 483-4391

Americas

**U.S. Northwest/
Pacific Northwest – Santa Clara**
Phone: (408) 249-9696
Fax: (408) 249-7113

U.S. Southwest – Los Angeles
Phone: (805) 376-0559
Fax: (805) 376-8180

U.S. Southwest – Orange County
Phone: (949) 483-9119
Fax: (949) 483-9090

U.S. Southwest – San Diego
Phone: (858) 713-3374
Fax: (858) 713-4001

U.S. North Central – Illinois
Phone: (630) 773-3454
Fax: (630) 773-3907

U.S. South Central – Texas
Phone: (972) 733-0723
Fax: (972) 407-0639

U.S. Northeast – Massachusetts
Phone: (978) 367-3200
Fax: (978) 256-6868

U.S. Southeast – North Carolina
Phone: (919) 858-9110
Fax: (919) 858-8669

**U.S. Southeast – Florida/
South America**
Phone: (727) 799-8406
Fax: (727) 799-8306

U.S. Mid-Atlantic – Pennsylvania
Phone: (215) 244-6784
Fax: (215) 244-9292

Canada – Ontario
Phone: (613) 271-2358
Fax: (613) 271-2359

Europe

Europe Central – Germany
Phone: +49 89 829-1320
Fax: +49 89 834-2734

Europe North – England
Phone: +44 1344 486444
Fax: +44 1344 486555

Europe – Israel/Greece
Phone: +972 9 9524000
Fax: +972 9 9573732

Europe South – France
Phone: +33 1 41 44 36 51
Fax: +33 1 41 44 36 90

Europe Mediterranean – Italy
Phone: +39 02 93179911
Fax: +39 02 93179913

Europe – Sweden
Phone: +46 (0) 8 5091 4319
Fax: +46 (0) 8 590 041 10

Europe – Finland
Phone: +358 (0) 9 85 666 435
Fax: +358 (0) 9 85 666 220

Asia – Pacific

Taiwan
Phone: (886-2) 2-720-0282
Fax: (886-2) 2-757-6760

Australia
Phone: (61-2) 9869 4088
Fax: (61-2) 9869 4077

China – Central
Phone: 86-21-6361-2515
Fax: 86-21-6361-2516

China – South
Phone: (852) 2 827-0181
Fax: (852) 2 827-6488

China – South (Satellite)
Phone: (86) 755-5182495

China – North
Phone: (86-10) 8529-9777
Fax: (86-10) 8529-9778

India
Phone: (91-11) 692-4789
Fax: (91-11) 692-4712

Korea
Phone: (82-2) 565-2880
Fax: (82-2) 565-1440

Korea (Satellite)
Phone: (82-53) 745-2880
Fax: (82-53) 745-1440

Singapore
Phone: (65) 737 7355
Fax: (65) 737 9077

Japan
Phone: (81-3) 5371 1520
Fax: (81-3) 5371 1501