

Power Inductor CDRH40D18/A



■ Features

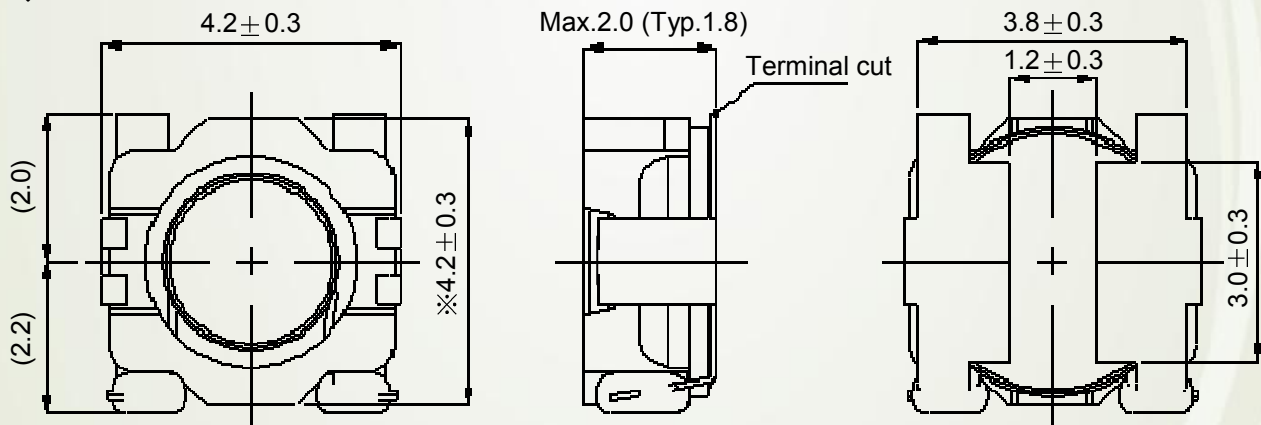
- ◎ Magnetically shielded construction.
- ◎ Storage temperature range: $-40^{\circ}\text{C}\sim+85^{\circ}\text{C}$.
- ◎ Operating temperature range: $-40^{\circ}\text{C}\sim+125^{\circ}\text{C}$
(Not including coil's self-heat).
- ◎ RoHS Compliance and Halogen Free.

■ Applications

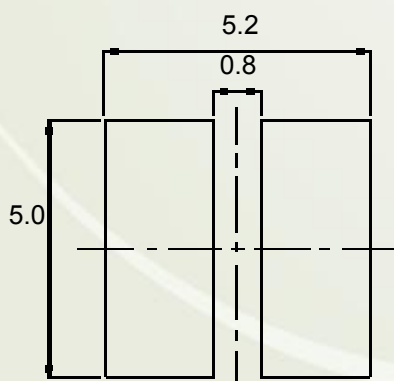
High temperature product, Used in automotive.

■ Dimensions/Recommended Land Patterns (mm)

◆ Dimensions



◆ Land pattern



Power Inductor CDRH40D18/A



■ Electrical Characteristics specification.

Part No. ※	Stamp	Inductance (μ H) ※1.	D.C.R.(m Ω) Max. (Typ.) (at 20°C)	Rated Current (A) ※2 (at 125°C)
CDRH40D18/ANP-4R7N	A	4.7 \pm 30%	173(138)	0.84
CDRH40D18/ANP-6R8N	B	6.8 \pm 30%	214(171)	0.73
CDRH40D18/ANP-100N	C	10 \pm 30%	372(297)	0.59
CDRH40D18/ANP-150N	D	15 \pm 30%	479(383)	0.49
CDRH40D18/ANP-220N	E	22 \pm 30%	634(507)	0.41
CDRH40D18/ANP-330N	F	33 \pm 30%	1503(1202)	0.30

※1. Measuring conditions: at 100 KHz, 1.0V

※2. Rated current: The DC current at which the inductance decreases to 65% of its nominal value or when $\Delta t = 30^\circ\text{C}$, whichever is lower ($T_a = 20^\circ\text{C}$).

For More Information

Hong Kong

Tel.+852-2880-6688
FAX.+852-2565-9600

Tokyo

Tel.+81-3-5202-7112
FAX.+81-3-5202-7105

Chicago

Tel.+1-847-545-6700
FAX. +1-847-545-6720

Shanghai

Tel.+86-021-5836-3299
FAX.+86-021-5836-3266

Seoul

Tel.+82-2-6237-0777
FAX.+82-2-6237-0778

Oberzell

Tel.+49-8591-937-0
FAX. +49-8591-937-103

Shenzhen

Tel.+86-755-8291-0228
FAX.+86-755-8291-0338

Singapore

Tel.+65-6296-3388
FAX.+65-6296-3390

Neumarkt

Tel.+49-9181-4509-110
FAX. +49-9181-4509-310

Taipei

Tel.+886-2-8751-2737
FAX.+886-2-8751-2738

San Jose

Tel.+1-408-321-9660
FAX.+1-408-321-9308