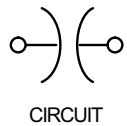
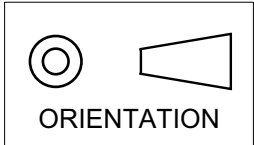


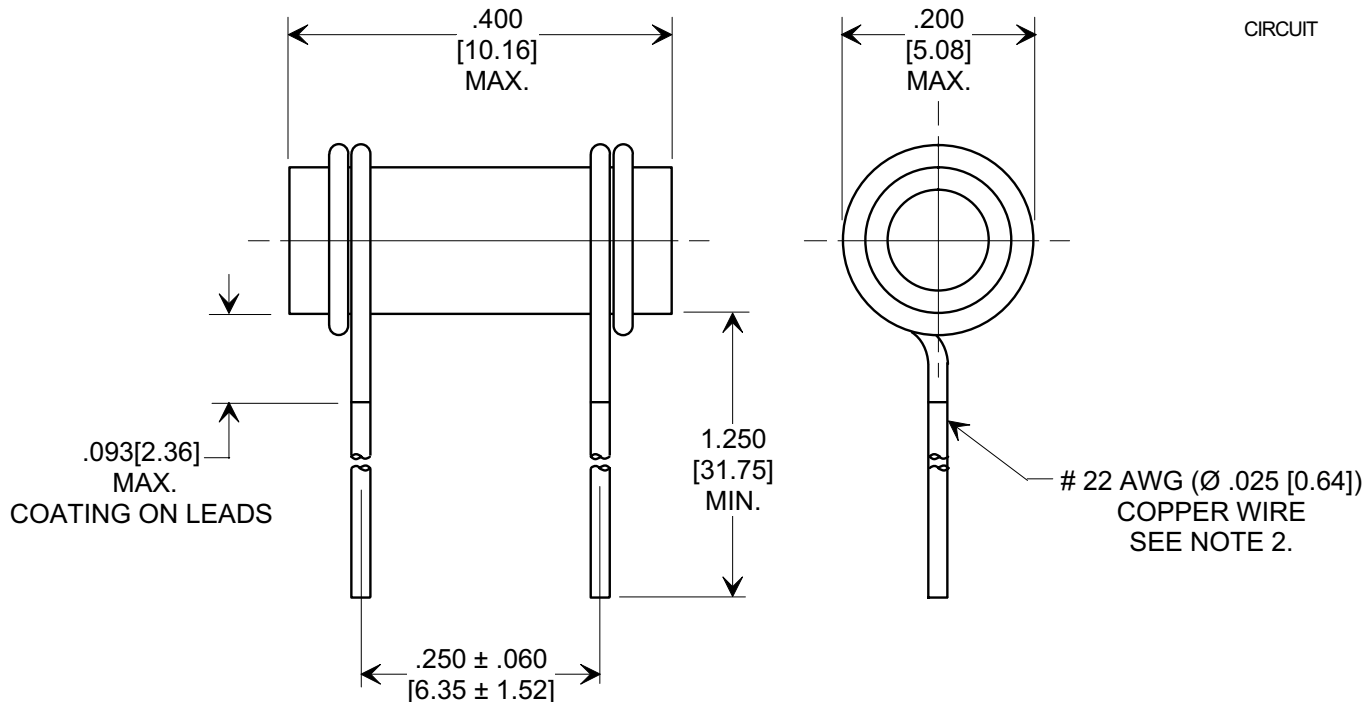
**MARKETING SALES DRAWING**

**DIMENSIONS IN INCHES - DO NOT SCALE THIS DRAWING**  
**DIMENSIONS IN METRIC - [ ]**

This drawing is the property of Tusonix, Inc., and may not be used, reproduced, published or disclosed to others without expressed authorization by Tusonix Inc.



**Electrical Testing per Tusonix standard test plans and Mil-Std-202 Test Methods.**



**SPECIFICATIONS**

TUSONIX STYLE	301-000
Value:	1 pF
Value Tol.:	± .25 pF
Temp. Coef.:	C0K
Operating Range:	-55°C TO 85°C
IR min @ 100 vdc	50 GΩ
Voltage:	Working: 500 VDC
	Test: 1500 VDC
	Life: 1000 VDC
Marking:	STANDARD COLOR CODE

**NOTES:**

- TUSONIX STANDARD PART NUMBER: 301-000-C0K0-109C. TUSONIX RoHS COMPLIANT PART NUMBER: 301-000-C0K0-109C LF. CUSTOMER MUST SPECIFY STANDARD OR RoHS PART NUMBER WHEN ORDERING.
- LEAD MATERIAL: STANDARD PART #: 22 AWG. 60/40 SOLDER PLATED COPPER WIRE. RoHS PART #: 22 AWG. 100% TIN PLATED COPPER WIRE.
- PART MARKING: STANDARD PART: STANDARD CC. RoHS PART: STANDARD CC PLUS ADDITIONAL GREEN DOT ON SIDE.
- CLEAR LACQUER COATING.

<b>REVISION RECORD</b>	Original Release	0
	C.O. 20050818-1-01	
	CLEAR LAQUER WAS WHITE.	
	S.M. 05-17-06	
	20060406-4-01	1
	ADDED AND REVISED NOTES.	
	S.M. 05-24-06	
	20060517-6-05	2

--TOLERANCES-- Unless Otherwise Specified		Title <b>CLEAR LAQUER COATED TUBULAR CAPACITOR</b>	
DECIMAL ±		Drawn	S.M. 08-18-05
ANGLES ±		Approved	T.C. 08-08-05
<b>TUSONIX</b> TUCSON, ARIZONA		<b>A</b>	<b>301-000-C0K0-109C</b>