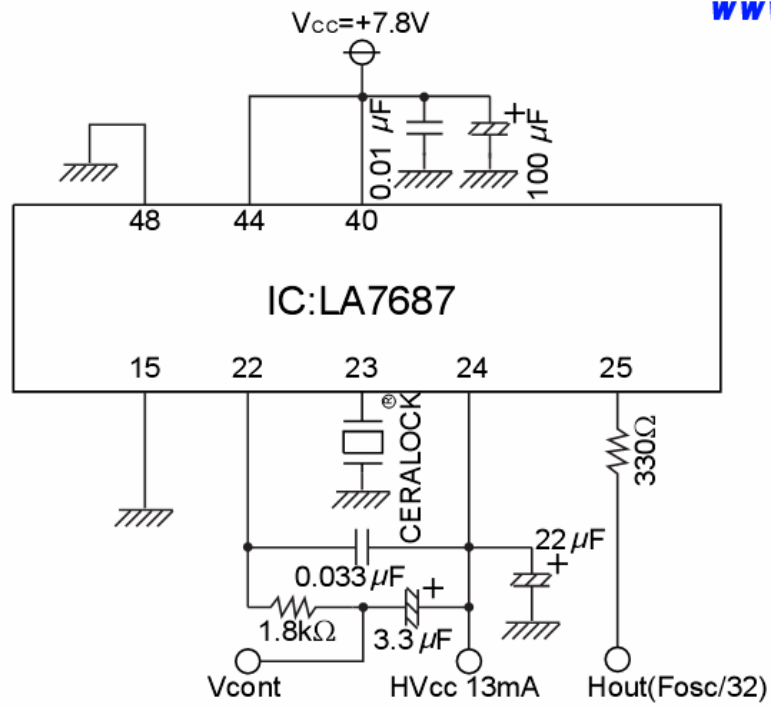


Application to LA7687 (SANYO) (TV Horizontal Synthesizer Circuit)

www.DataSheet4U.com



Recommendable Value
CERALOCK® : CSB500F55