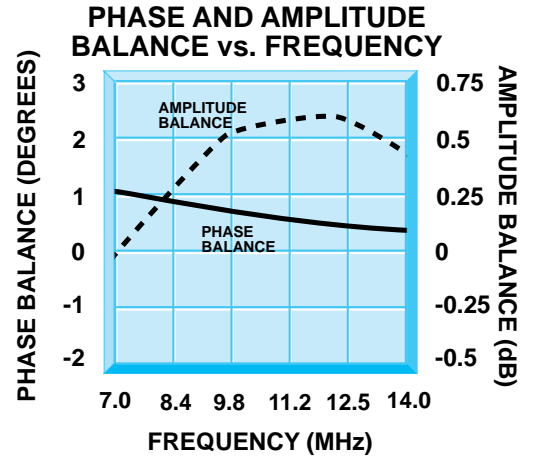
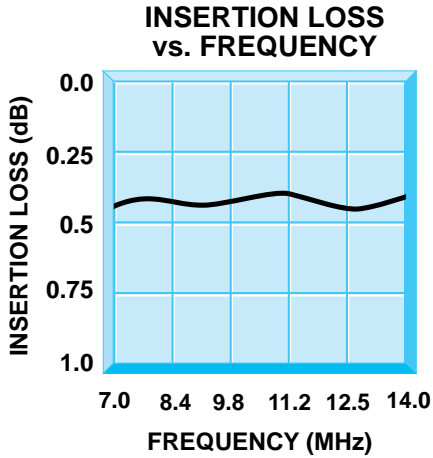
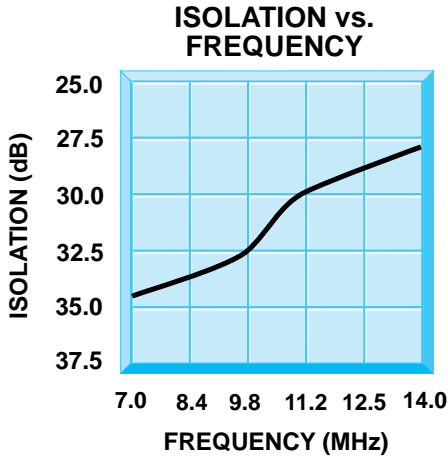


# J4-10002 / 10003

## 7 to 14 MHz Quadrature Hybrids



### Guaranteed Specifications (-54° to +85°C)

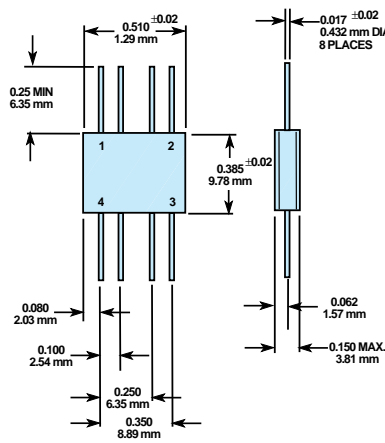
Frequency Range	7 to 14 MHz
Isolation	25 dB Min.
Insertion Loss	0.5 dB Max.
VSWR	1.2:1 Max.
Phase Balance	±3° Max.
Amplitude Balance	± 0.75 dB Max.
Impedance	50 Ohms
Power Handling	3 Watts Max.

### Truth Table

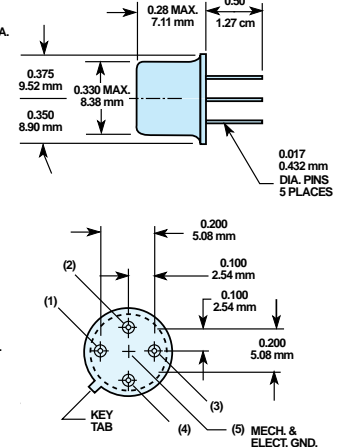
OUT \ IN	1	2	3	4
1	X	ISOL	0°	-90°
2	ISOL	X	-90°	0°
3	0°	-90°	X	ISOL
4	-90°	0°	ISOL	X

### Mechanical Outline

#### J4-10003



#### J4-10002



**SIGNAL**  
TECHNOLOGY CORPORATION  
OLEKTRON OPERATION

28 Tozer Road • Beverly, MA 01915-5579  
Tel. 978.922.0019 • Fax 978.927.9328