

SPECIAL FEATURES

- **Small Step Size: 100 Hz**
- **Low Phase Noise: - 112 dBc/Hz @ 150 kHz offset**
- **Low Spurious: - 80 dBc**



This synthesizer is a custom, iterative indirect synthesis design. It offers fine resolution and low phase noise and spurious over 1 GHz bandwidth in S-Band. Developed prior to the advent of DDS technology, the unit is an example of a complex, highly integrated

subsystem. This synthesizer is qualified for a military communications system. Depot replaceable source assemblies are available for excellent long-term maintainability.

ELECTRICAL SPECIFICATIONS

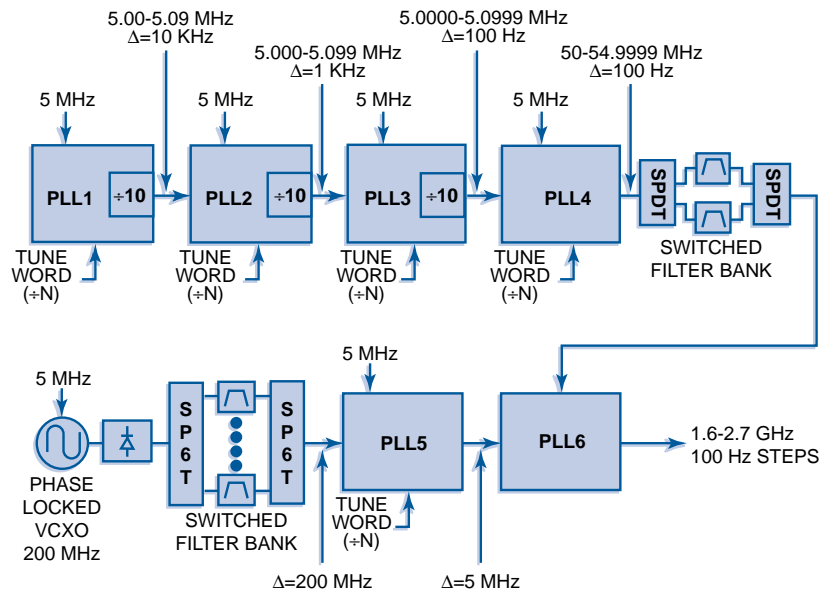
Frequency Range:	1.6 - 2.7 GHz
Step Size:	100 Hz
Switching Speed:	350 μ s to phase stability
Output Power:	+ 5 dBm \pm 1.5 dB, typical
SSB Phase Noise (dBc/Hz, typical):	
offset	
10 kHz	- 100
50 kHz	- 102
150 kHz	- 112
Reference Input:	5 MHz @ 0 dBm
Stability:	Follows Input Reference Signal
Spurious:	- 80 dBc, maximum
Harmonics:	- 45 dBc, maximum
Tuning Control:	40 bit Differential
BITE Scheme:	Phase Lock bits & LEDs
DC Power:	\pm 15 V, + 5 V (28 W)

ENVIRONMENTAL SPECIFICATIONS

Operating Temperature:	0 to + 70 °C
Environment:	Shipboard

MECHANICAL SPECIFICATIONS

Size (excluding connectors):	7.5 x 7.25 x 5.25 inches 191 x 184 x 133 mm
Weight:	14 lbs (6.35 kg), maximum



Specifications subject to change without notice.