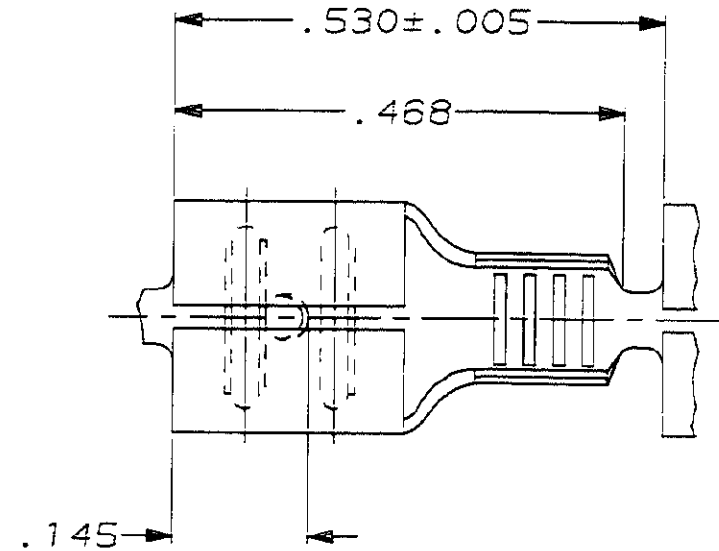
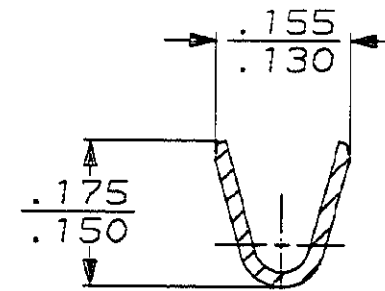
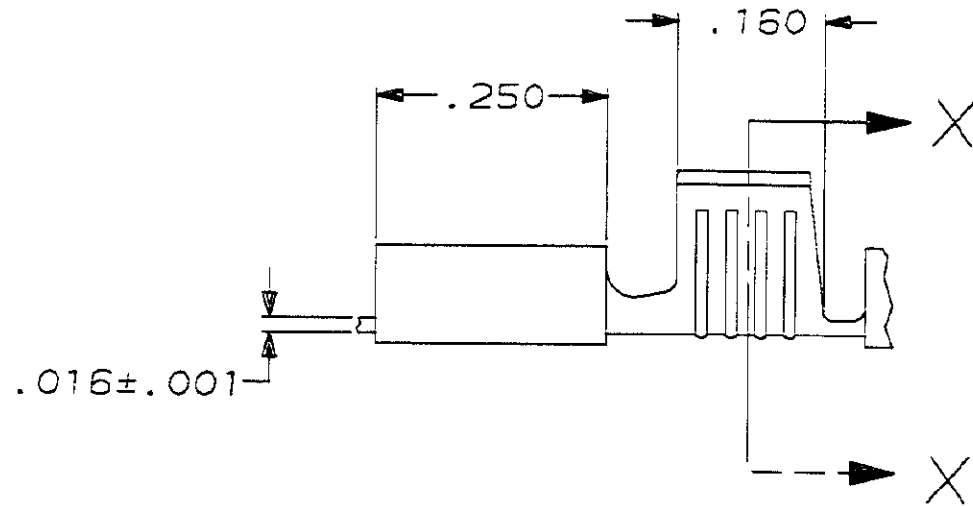
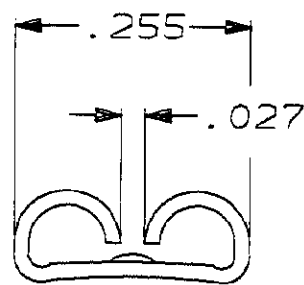


THIS DRAWING IS UNPUBLISHED. RELEASED FOR PUBLICATION .19
© COPYRIGHT 19 BY AMP INCORPORATED. ALL INTERNATIONAL RIGHTS RESERVED.

LOC	DIST	P	F	ZONE	LTR	REVISIONS	DATE	APPO
AF	50					DESCRIPTION		
					P	DRAWN, SEP FROM 42040 PER 0023-94	2/2/94	JR/PD



1 CONTINUOUS STRIP ON REELS.



SECTION X-X

FINISH	#18-#14	.032	42239-4
DO NOT SCALE PRINT. UNLESS SPECIFIED DIMENSIONS ARE IN INCHES TOLERANCES ON: 2 PLC DEC ± - 3 PLC DEC ± .015 ANGLES ± -	DR 2/2/94 JR RUTH CHK 2/2/94 MS FEHER APPD 2/2/94 P DESANTIS APPD 2/2/94 R REINER PRODUCT SPEC -	MATING TAB THK ±.001	PART NO
MATERIAL T3 PHOS BRZ	FINISH SEE TABLE	AMP AMP Incorporated Harrisburg, PA 17105-3608 NAME RECEPTACLE, FASTON, .205 SERIES	
		SIZE B	CAGE CODE 00779
		DRAWING NO C-42239	SCALE 5:1
		APPLICATION SPEC -	WEIGHT -
			DRAWING NO C-42239
			SHEET 1 OF 1

THIS DRAWING IS A CONTROLLED DOCUMENT FOR AMP INCORPORATED. IT IS SUBJECT TO CHANGE AND THE CONTROLLING ENGINEERING ORGANIZATION SHOULD BE CONTACTED FOR THE LATEST REVISION.