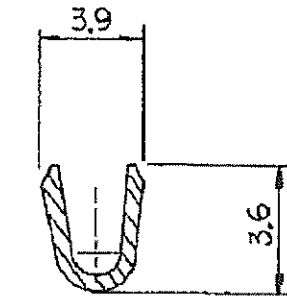
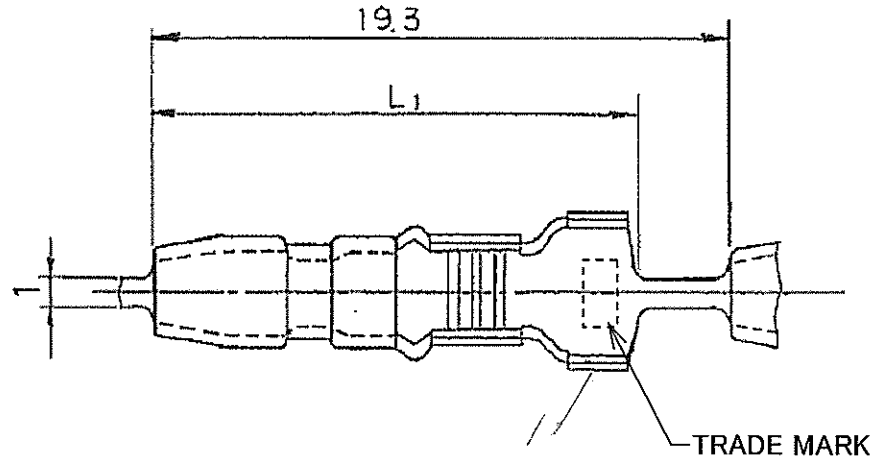
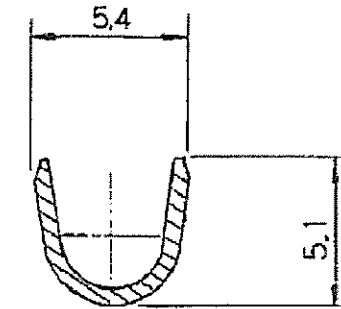


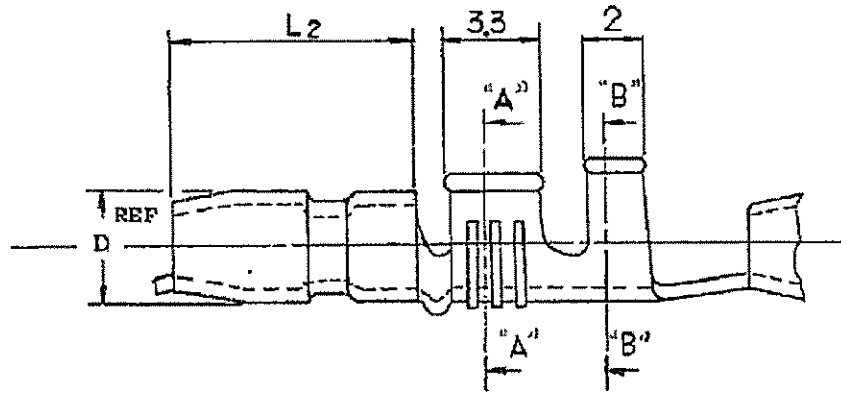
C-170002



SECT. A-A



SECT. B-B



NOTE

- △ THESE ITEMS ARE FOR USE OTHER THAN IN JAPAN.
- ② GENERAL TOLERANCES; ±0.4
- ③ OBSOLETE PARTS: OBSOLETE CIS STREAMLINING PER D.RENAUD/D.SINISI

注記

- △ 海外向け製品。
- ② 一般公差; ±0.4

OBSOLETE	△
OBSOLETE	△
OBSOLETE	△
OBSOLETE	△

PART NO.	LOOSE	PCS NO	LI	L2	D	QTY/REEL	PROD SPEC NO.	MATERIAL	FINISH
			DIM	DIM	DIM				
170002-8	---	---	17.0	8.7	4.0	7000	108-5003	BRASS	PRE-TIN
△ 3-1700024	---	---	17.0	8.7	4.0	15000	108-5003	PHOS-BZ	POST-TIN
△ 3-	↑	-3	---	---	---	15000	-5003	---	---
△ 3-	---	-2	15.8	7.3	3.5	15000	-5004	---	POST-TIN
△ 3-	---	-1	15.8	7.3	3.5	15000	-5004	PHOS-BZ	---
2	---	-5	17.0	8.7	4.0	20000	-5003	BRASS	---
1	---	-7	15.8	7.3	3.5	25000	-5004	---	---
OBSOLETE	1	---	17.0	8.7	4.0	25000	-5003	---	---
OBSOLETE	1	---	17.0	8.7	4.0	25000	-5003	---	---
OBSOLETE	1	---	17.0	8.7	4.0	20000	-5003	---	POST-TIN
OBSOLETE	1	---	15.8	7.3	3.5	20000	-5004	---	POST-TIN
OBSOLETE	1	---	15.8	7.3	3.5	20000	-5004	---	---
		-7	15.8	7.3	3.5	7000	-5004	---	---
		-5	17.0	8.7	4.0	5000	-5003	---	---
		-4	17.0	8.7	4.0	7000	-5003	---	POST-TIN
170002-2	170020-1	15.8	7.3	3.5	7000	108-5004	BRASS	POST-TIN	0.5E

R1	REV PER ECO-10-000444	KK	AEG	08JAN
R	REVISED ECR-07-011381	J.S.	S.M.	17MAY '06
P	REVISED ECR-06-011353	J.S.	N.Y.	17MAY '06
N1	REVISED ECR-1182-24	B.M.		10/11/98
N	REVISED J-1452	K.Z.		7/15/92
M2	REVISED J-13219	B.Y.		2/7/91
M1	ADDED -8 J-9422	P.S.		1/1/88
M	RE-DRAWN WITH CHANGES	U.B.		3/25/85
LTR	REVISION RECORD	DR.	CHK.	DATE

© 1985 BY AMP (HUSHI) LTD. ALL RIGHTS RESERVED. AMP PRODUCTS COVERED BY PATENTS AND OR PATENT PENDING.

Tyco Electronics Kawasaki, Japan

シエアプラグ SHUR PLUG

WIRE RANGE: 25-27 AWG #14  
INSULATION DIA: 2.5-3.8 mm

(MATERIAL) SEE TABLE (FINISH) SEE TABLE

DR. H. Retani 11/185 DE

CHK. H. Retani 11/185 APP. H. Retani 11/185

SIZE	LOC	FIG. (NO)
C	J	C-170002
SCALE	REV.	SHEET
	R1	1-1