

1

PRODUCT OVERVIEW

OVERVIEW

The S3C72P9 single-chip CMOS microcontroller has been designed for high performance using Samsung's newest 4-bit CPU core, SAM47 (Samsung Arrangeable Microcontrollers).

With an up-to-896-dot LCD direct drive capability, flexible 8-bit and 16-bit timer/counters, and serial I/O interface, the S3C72P9 offers an excellent design solution for a wide variety of applications which require LCD functions.

Up to 39 pins of the 100-pin QFP package can be dedicated to I/O. Eight vectored interrupts provide fast response to internal and external events. In addition, the S3C72P9's advanced CMOS technology provides for low power consumption and a wide operating voltage range.

The S3C72P9 is made by shrinking the KS57C21516. The S3C72P9 is comparable to KS57C21516, both in function and in pin configuration except that S3C72P9 have a 32,768 x8-bit ROM, 1056x4-bit RAM, 12 common selectable and LCD contrast control function.

OTP

The S3C72P9 microcontroller is also available in OTP (One Time Programmable) version, S3P72P9. S3P72P9 microcontroller has an on-chip 32K-byte one-time-programmable EPROM instead of masked ROM. The S3P72P9 is comparable to S3C72P9, both in function and in pin configuration.

FEATURES

Memory

- 1,056 × 4-bit RAM (excluding LCD display RAM)
- 32,768 × 8-bit ROM

39 I/O Pins

- I/O: 35 pins
- Input only: 4 pins

LCD Controller/Driver

- 56 segments and 16 common terminals
- 8, 12 and 16 common selectable
- Internal resistor circuit for LCD bias
- All dot can be switched on/off
- LCD contrast control by software

8-bit Basic Timer

- 4 interval timer functions
- Watch-dog timer

8-bit Timer/Counter

- Programmable 8-bit timer
- External event counter
- Arbitrary clock frequency output
- External clock signal divider
- Serial I/O interface clock generator

16-Bit Timer/Counter

- Programmable 16-bit timer
- External event counter
- Arbitrary clock frequency output
- External clock signal divider

8-bit Serial I/O Interface

- 8-bit transmit/receive mode
- 8-bit receive mode
- LSB-first or MSB-first transmission selectable
- Internal or external clock source

Memory-Mapped I/O Structure

- Data memory bank 15

Watch Timer

- Time interval generation: 0.5 s, 3.9 ms at 32768 Hz
- 4 frequency outputs to BUZ pin
- Clock source generation for LCD

Interrupts

- Four internal vectored interrupts
- Four external vectored interrupts
- Two quasi-interrupts

Bit Sequential Carrier

- Supports 16-bit serial data transfer in arbitrary format

Power-Down Modes

- Idle mode (only CPU clock stops)
- Stop mode (main system oscillation stops)
- Subsystem clock stop mode

Oscillation Sources

- Crystal, ceramic, or RC for main system clock
- Crystal oscillator for subsystem clock
- Main system clock frequency: 0.4 – 6 MHz
- Subsystem clock frequency: 32.768 kHz
- CPU clock divider circuit (by 4, 8, or 64)

Instruction Execution Times

- 0.67, 1.33, 10.7 μ s at 6 MHz
- 0.95, 1.91, 15.3 μ s at 4.19 MHz
- 122 μ s at 32.768 kHz

Operating Temperature

- –40 °C to 85 °C

Operating Voltage Range

- 1.8 V to 5.5 V

Package Type

- 100-pin QFP

BLOCK DIAGRAM

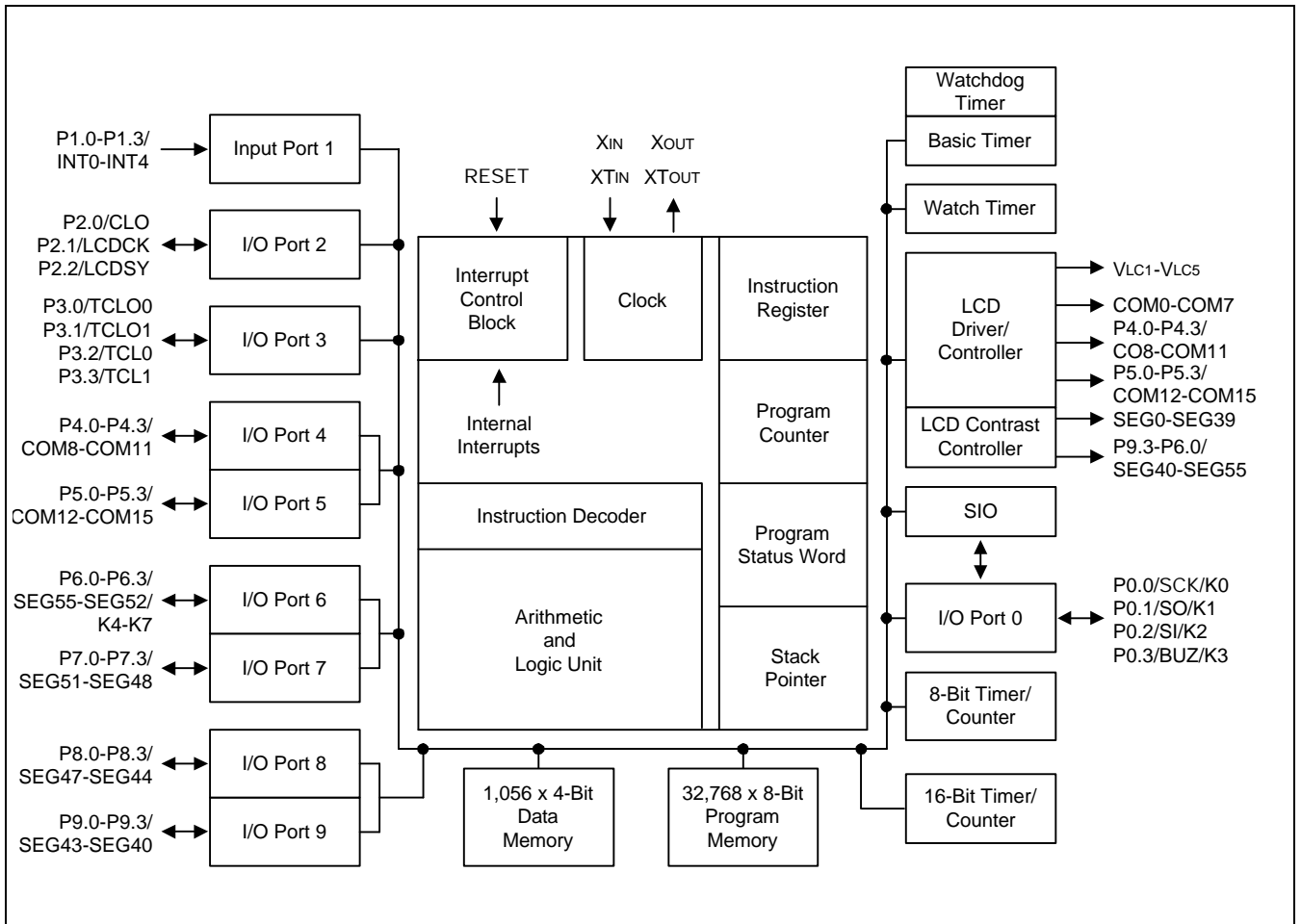


Figure 1-1. S3C72P9/P72P9 Simplified Block Diagram

PIN ASSIGNMENTS

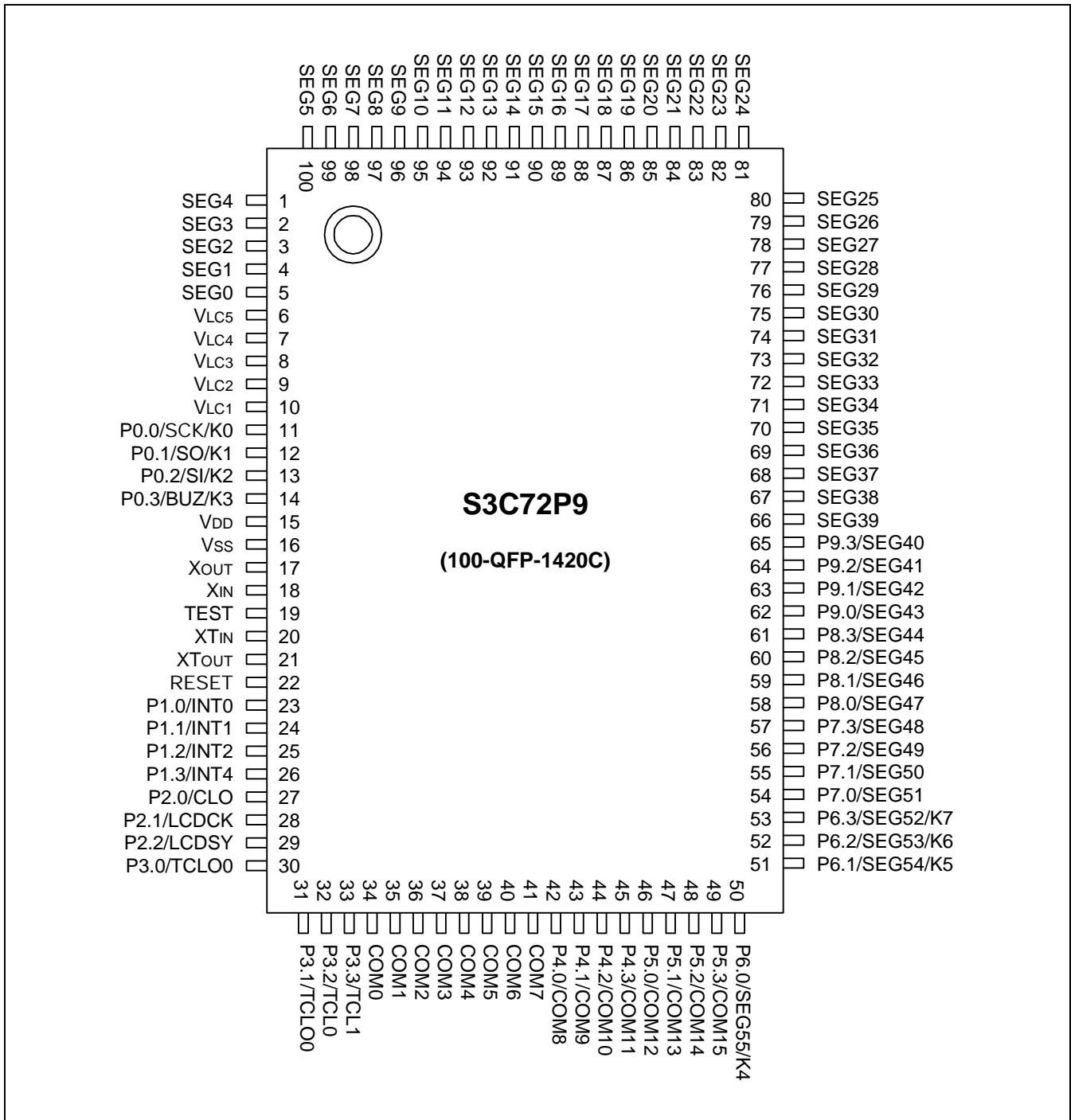


Figure 1-2. S3C72P9 100-QFP Pin Assignment Diagram

PIN DESCRIPTIONS

Table 1-1. S3C72P9/P72P9 Pin Descriptions

Pin Name	Pin Type	Description	Number	Share Pin
P0.0 P0.1 P0.2 P0.3	I/O	4-bit I/O port. 1-bit and 4-bit read/write and test are possible. Individual pins are software configurable as input or output. Individual pins are software configurable as open-drain or push-pull output. 4-bit pull-up resistors are software assignable; pull-up resistors are automatically disabled for output pins.	11 12 13 14	SCK/K0 SO/K1 SI/K2 BUZ/K3
P1.0 P1.1 P1.2 P1.3	I	4-bit input port. 1-bit and 4-bit read and test are possible. 4-bit pull-up resistors are assignable by software.	23 24 25 26	INT0 INT1 INT2 INT4
P2.0 P2.1 P2.2	I/O	Same as port 0 except that port 2 is 3-bit I/O port.	27 28 29	CLO LCDCK LCDSY
P3.0 P3.1 P3.2 P3.3	I/O	Same as port 0.	30 31 32 33	TCLO0 TCLO1 TCL0 TCL1
P4.0–P4.3 P5.0–P5.3	I/O	4-bit I/O ports. 1-, 4-bit or 8-bit read/write and test are possible. Individual pins are software configurable as input or output. 4-bit pull-up resistors are software assignable; pull-up resistors are automatically disabled for output pins.	42–45 46–49	COM8– COM11 COM12– COM15
P6.0–P6.3 P7.0–P7.3	I/O	Same as P4, P5.	50–53 54–57	SEG55/K4– SEG52/K7 SEG51– SEG48
P8.0–P8.3 P9.0–P9.3	I/O	Same as P4, P5.	58–61 62–65	SEG47– SEG44 SEG43– SEG40
SCK	I/O	Serial I/O interface clock signal.	11	P0.0/K0
SO	I/O	Serial data output.	12	P0.1/K1
SI	I/O	Serial data input.	13	P0.2/K2
BUZ	I/O	2 kHz, 4 kHz, 8 kHz or 16 kHz frequency output for buzzer signal.	14	P0.3/K3
INT0, INT1	I	External interrupts. The triggering edge for INT0 and INT1 is selectable.	23, 24	P1.0, P1.1

Table 1-1. S3C72P9/P72P9 Pin Descriptions (Continued)

Pin Name	Pin Type	Description	Number	Share Pin
INT2	I	Quasi-interrupt with detection of rising or falling edges.	25	P1.2
INT4	I	External interrupt with detection of rising or falling edges.	26	P1.3
CLO	I/O	Clock output .	27	P2.0
LCDCK	I/O	LCD clock output for display expansion.	28	P2.1
LCDSY	I/O	LCD synchronization clock output for display expansion.	29	P2.2
TCLO0	I/O	Timer/counter 0 clock output.	30	P3.0
TCLO1	I/O	Timer/counter 1 clock output.	31	P3.1
TCL0	I/O	External clock input for timer/counter 0.	32	P3.2
TCL1	I/O	External clock input for timer/counter 1.	33	P3.3
COM0–COM7	O	LCD common signal output.	34–41	–
COM8–COM11	I/O		42–45	P4.0–P4.3
COM12–COM15			46–49	P5.0–P5.3
SEG0–SEG39	O	LCD segment signal output.	5–1, 100–66	–
SEG40–SEG43	I/O		65–62	P9.3–P9.0
SEG44–SEG47			61–58	P8.3–P8.0
SEG48–SEG51			57–54	P7.3–P7.0
SEG52–SEG55			53–50	P6.3/K7–P6.0/K4
K0–K3	I/O	External interrupt. The triggering edge is selectable.	11–14	P0.0–P0.3
K4–K7			50–53	P6.0–P6.3
V _{DD}	–	Main power supply.	15	–
V _{SS}	–	Ground.	16	–
RESET	I	Reset signal.	22	–
V _{LC1} –V _{LC5}	–	LCD power supply.	10–6	–
X _{IN} , X _{OUT}	–	Crystal, Ceramic or RC oscillator pins for system clock.	18, 17	–
XT _{IN} , XT _{OUT}	–	Crystal oscillator pins for subsystem clock.	20, 21	–
TEST	I	Test signal input. (must be connected to V _{SS})	19	–

NOTE: Pull-up resistors for all I/O ports are automatically disabled if they are configured to output mode.

Table 1-2. Overview of S3C72P9/P72P9 Pin Data

Pin Names	Share Pins	I/O Type	Reset Value	Circuit Type
P0.1, P0.3	SO/K1, BUZ/K3	I/O	Input	E-1
P0.0, P0.2	SCK/K0, SI/K2	I/O	Input	E-2
P1.0–P1.3	INT0–INT2, INT4	I	Input	A-3
P2.0–P2.2	CLO, LCDCK, LCDSY	I/O	Input	E
P3.0–P3.1	TCLO0, TCLO1	I/O	Input	E
P3.2–P3.3	TCL0, TCL1	I/O	Input	E-1
P4.0–P4.3 P5.0–P5.3	COM8–COM11 COM12–COM15	I/O	Input	H-13
P6.0–P6.3	SEG55/K4–SEG52/K7	I/O	Input	H-16
P7.0–P7.3	SEG51–SEG48	I/O	Input	H-13
P8.0–P8.3 P9.0–P9.3	SEG47–SEG44 SEG43–SEG40	I/O	Input	H-13
COM0–COM7	–	O	High	H-3
SEG0–SEG39	–	O	High	H-15
V _{DD}	–	–	–	–
V _{SS}	–	–	–	–
RESET	–	I	–	B
V _{LC1} –V _{LC5}	–	–	–	–
X _{IN} , X _{OUT}	–	–	–	–
X _{TIN} , X _{TOUT}	–	–	–	–
TEST	–	I	–	–

PIN CIRCUIT DIAGRAMS

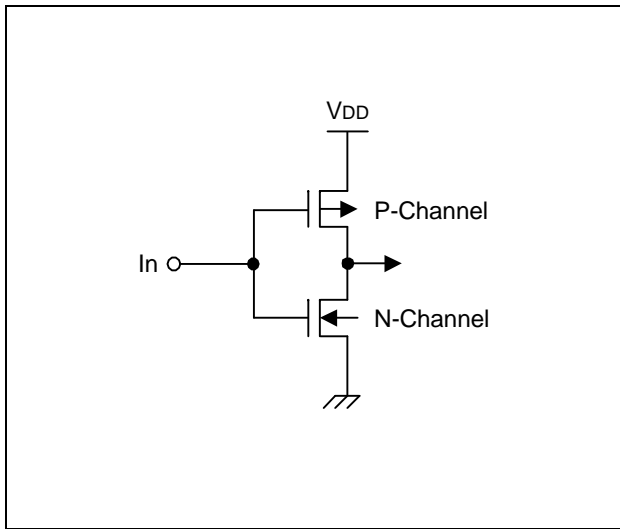


Figure 1-3. Pin Circuit Type A

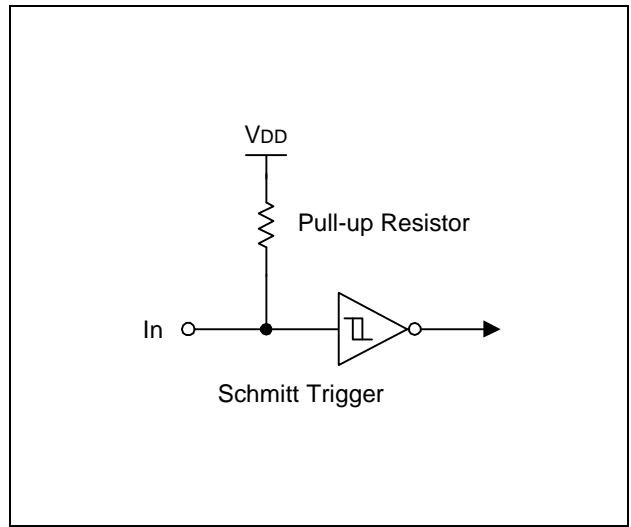


Figure 1-5. Pin Circuit Type B

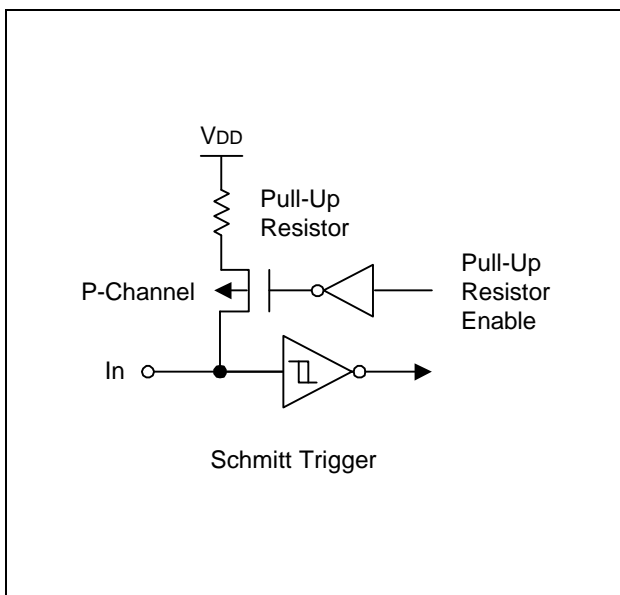


Figure 1-4. Pin Circuit Type A-3

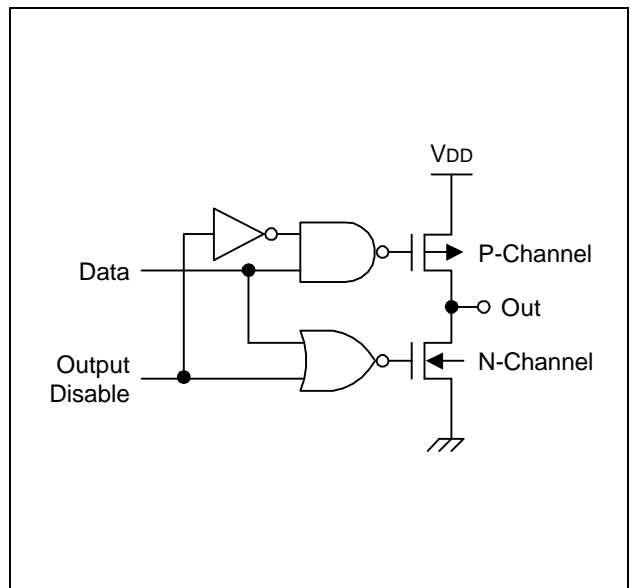


Figure 1-6. Pin Circuit Type C

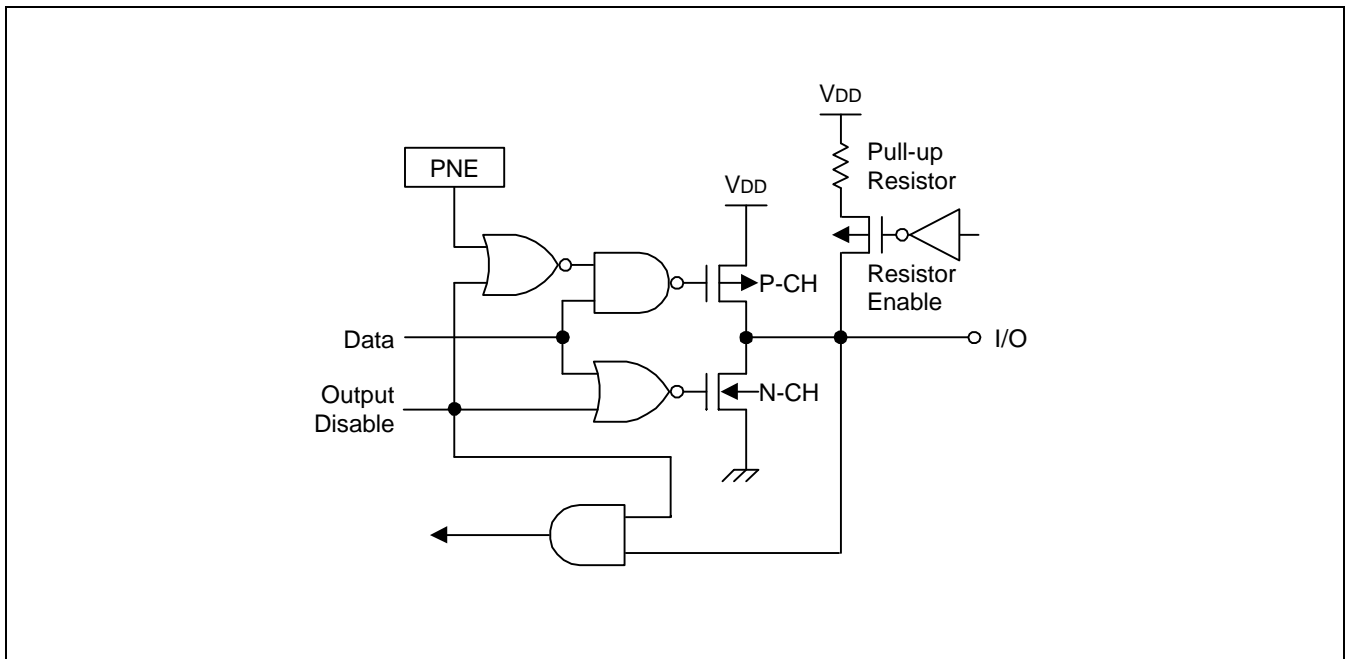


Figure 1-7. Pin Circuit Type E

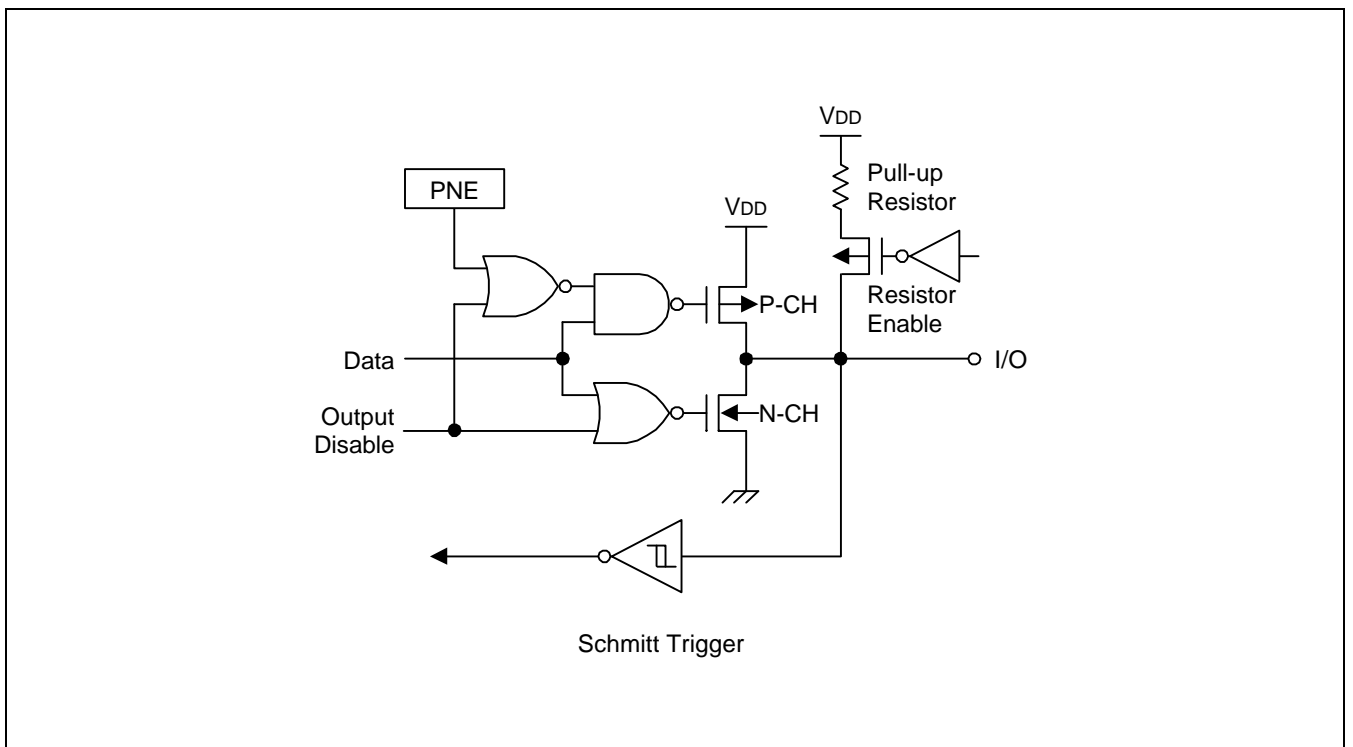


Figure 1-8. Pin Circuit Type E-1

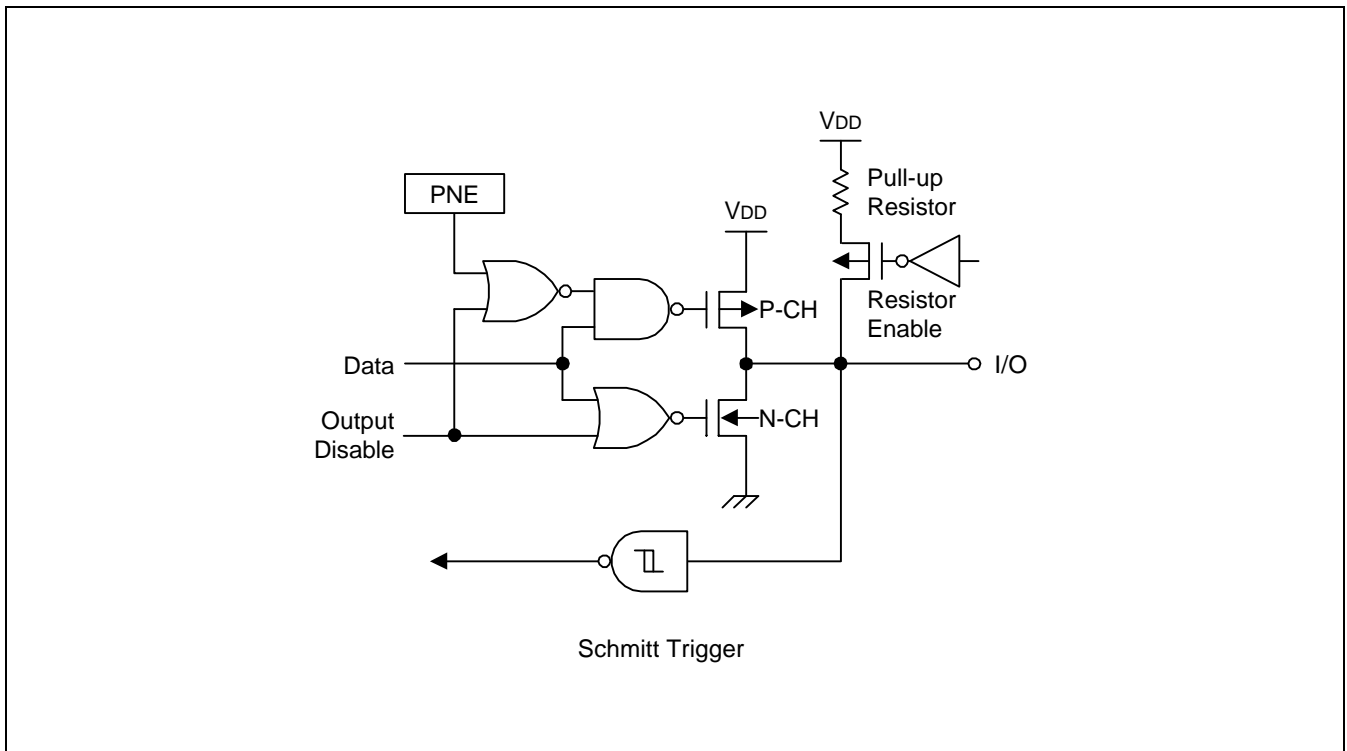


Figure 1-9. Pin Circuit Type E-2

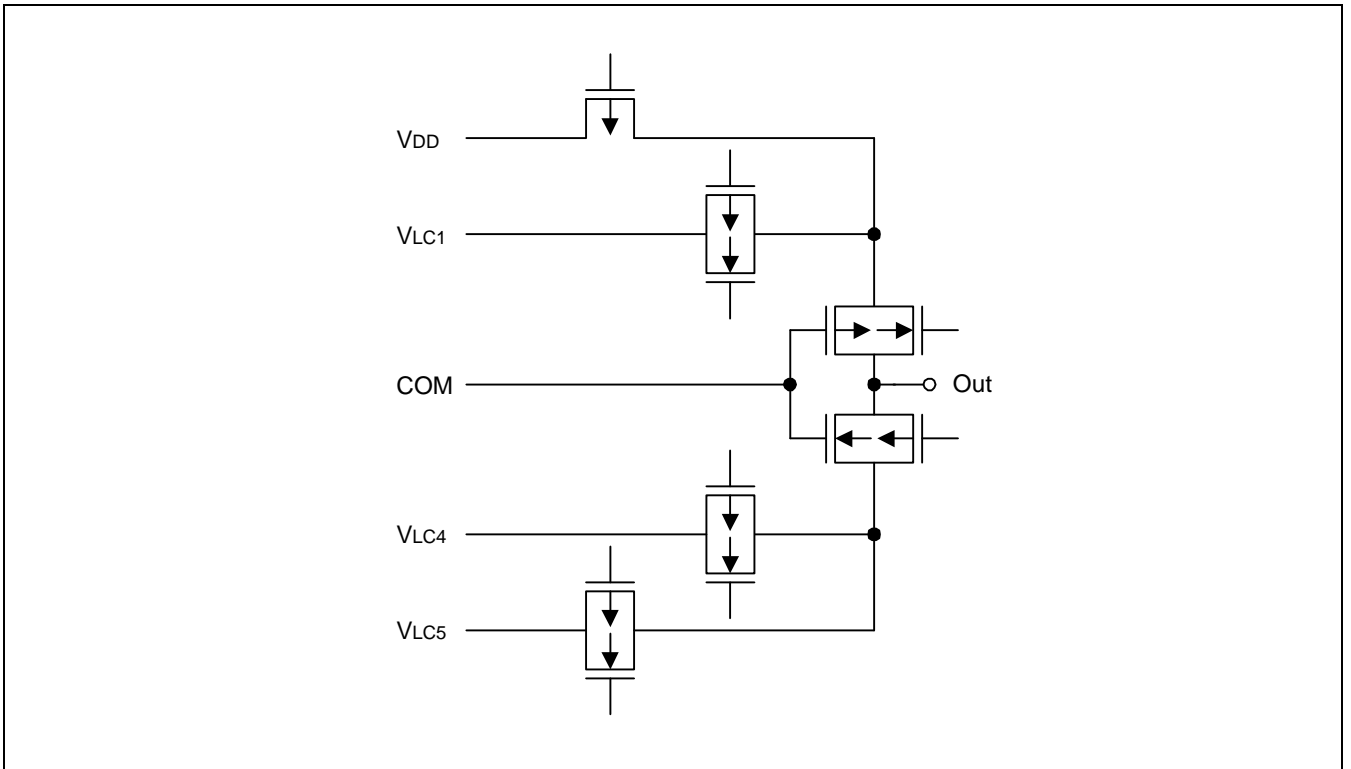


Figure 1-10. Pin Circuit Type H-3

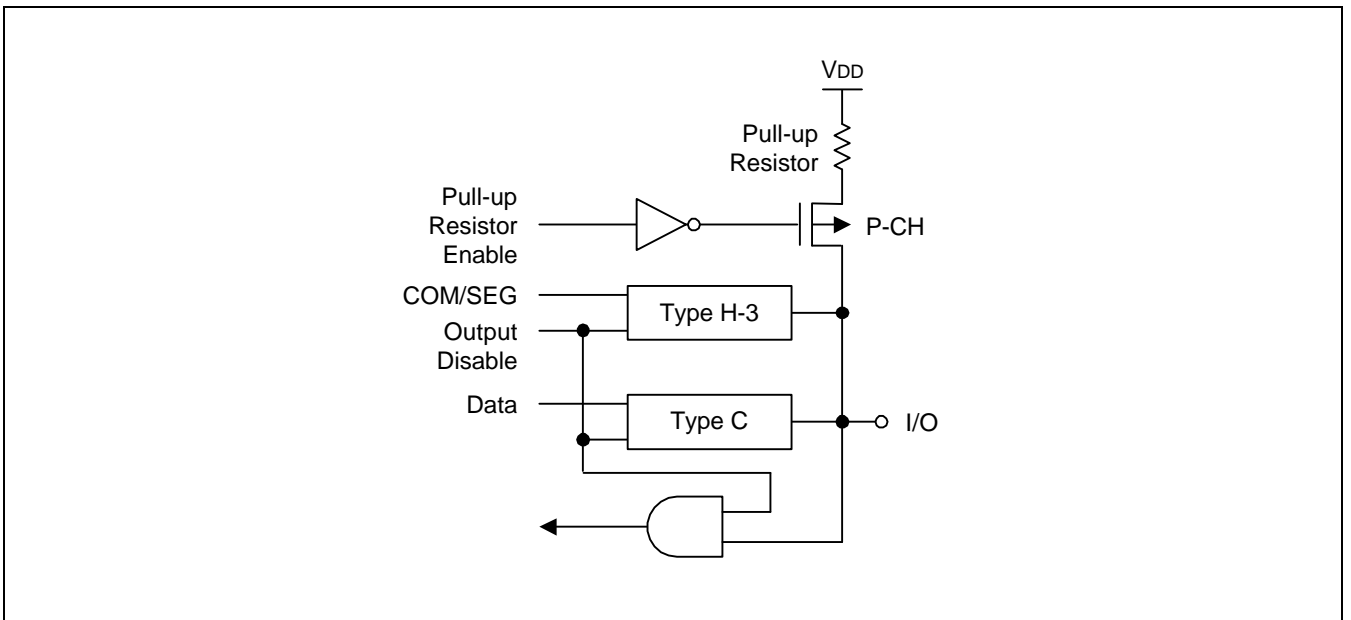


Figure 1-11. Pin Circuit Type H-13

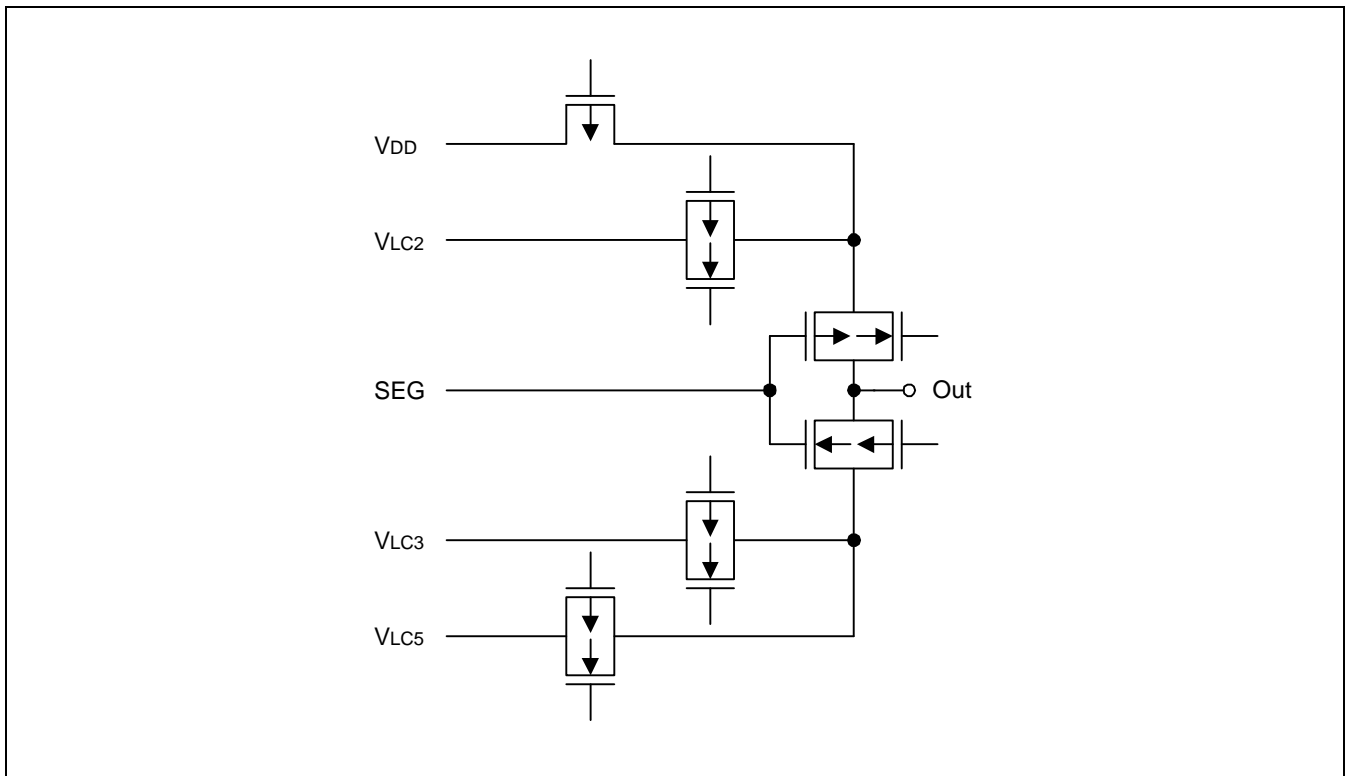


Figure 1-12. Pin Circuit Type H-15

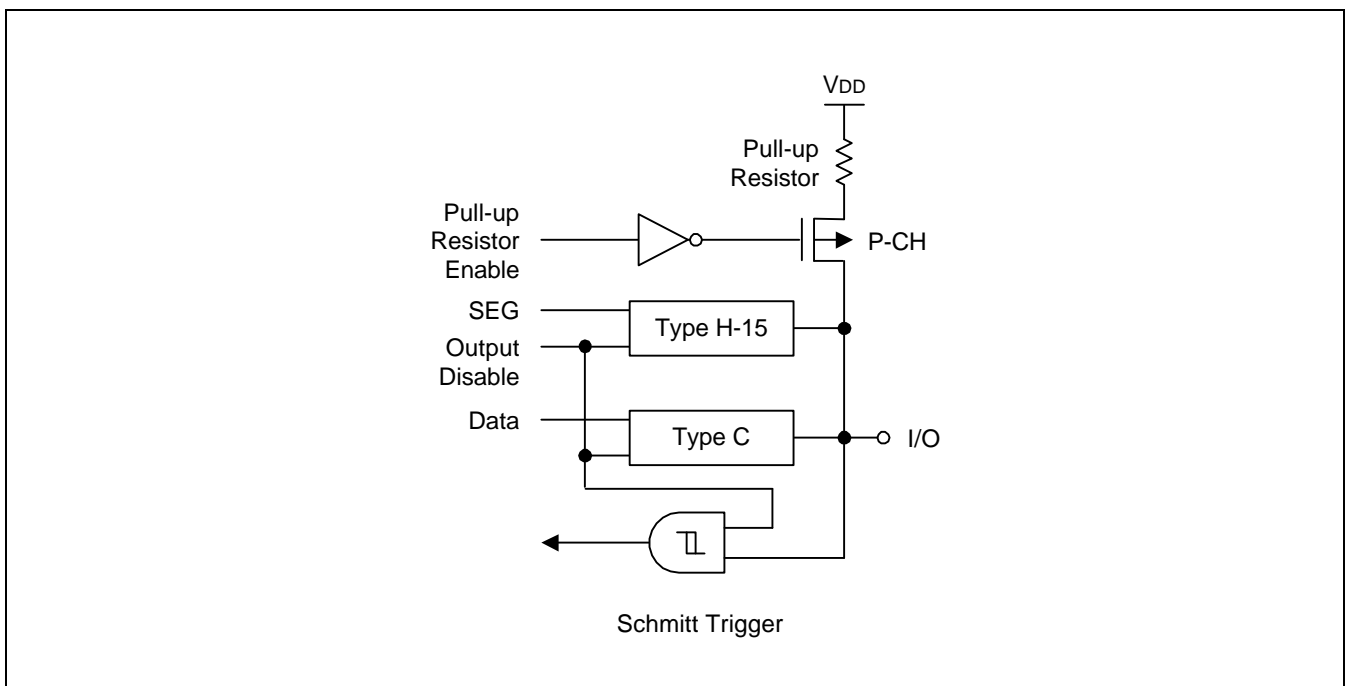


Figure 1-13. Pin Circuit Type H-16

2 ADDRESS SPACES

PROGRAM MEMORY (ROM)

OVERVIEW

ROM maps for S3C72P9 devices are mask programmable at the factory. In its standard configuration, the device's 32,768 × 8-bit program memory has three areas that are directly addressable by the program counter (PC):

- 16-byte area for vector addresses
- 96-byte instruction reference area
- 16-byte general-purpose area
- 32,640-byte general-purpose area

General-purpose Program Memory

Two program memory areas are allocated for general-purpose use: One area is 16 bytes in size and the other is 32,640 bytes.

Vector Addresses

A 16-byte vector address area is used to store the vector addresses required to execute system resets and interrupts. Start addresses for interrupt service routines are stored in this area, along with the values of the enable memory bank (EMB) and enable register bank (ERB) flags that are used to set their initial value for the corresponding service routines. The 16-byte area can be used alternately as general-purpose ROM.

REF Instructions

Locations 0020H–007FH are used as a reference area (look-up table) for 1-byte REF instructions. The REF instruction reduces the byte size of instruction operands. REF can reference one 2-byte instruction, two 1-byte instructions, and one 3-byte instructions which are stored in the look-up table. Unused look-up table addresses can be used as general-purpose ROM.

Table 2-1. Program Memory Address Ranges

ROM Area Function	Address Ranges	Area Size (in Bytes)
Vector address area	0000H–000FH	16
General-purpose program memory	0010H–001FH	16
REF instruction look-up table area	0020H–007FH	96
General-purpose program memory	0080H–7FFFH	32,640

GENERAL-PURPOSE MEMORY AREAS

The 16-byte area at ROM locations 0010H–001FH and the 32,640-byte area at ROM locations 0080H–7FFFH are used as general-purpose program memory. Unused locations in the vector address area and REF instruction look-up table areas can be used as general-purpose program memory. However, care must be taken not to overwrite live data when writing programs that use special-purpose areas of the ROM.

VECTOR ADDRESS AREA

The 16-byte vector address area of the ROM is used to store the vector addresses for executing system resets and interrupts. The starting addresses of interrupt service routines are stored in this area, along with the enable memory bank (EMB) and enable register bank (ERB) flag values that are needed to initialize the service routines. 16-byte vector addresses are organized as follows:

EMB	ERB	PC13	PC12	PC11	PC10	PC9	PC8
PC7	PC6	PC5	PC4	PC3	PC2	PC1	PC0

To set up the vector address area for specific programs, use the instruction VENTn. The programming tips on the next page explain how to do this.

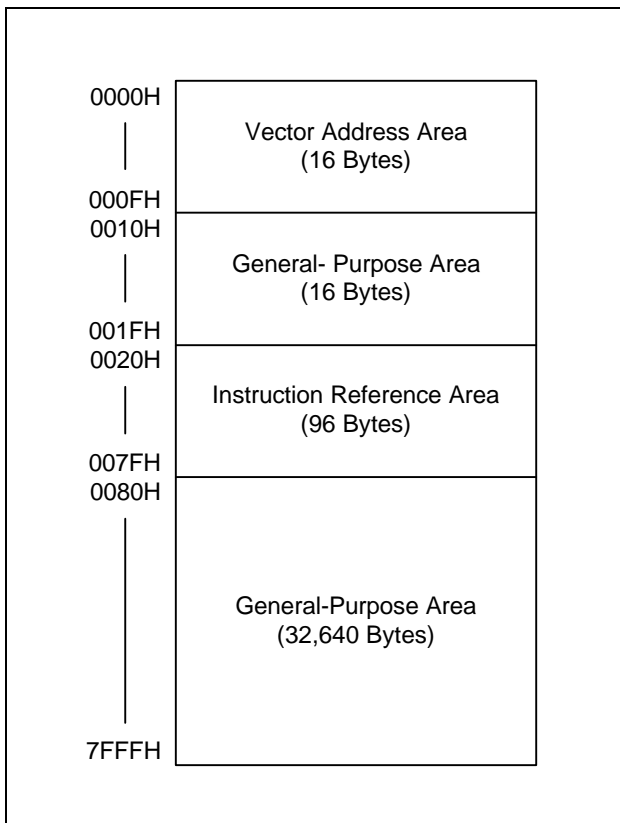


Figure 2-1. ROM Address Structure

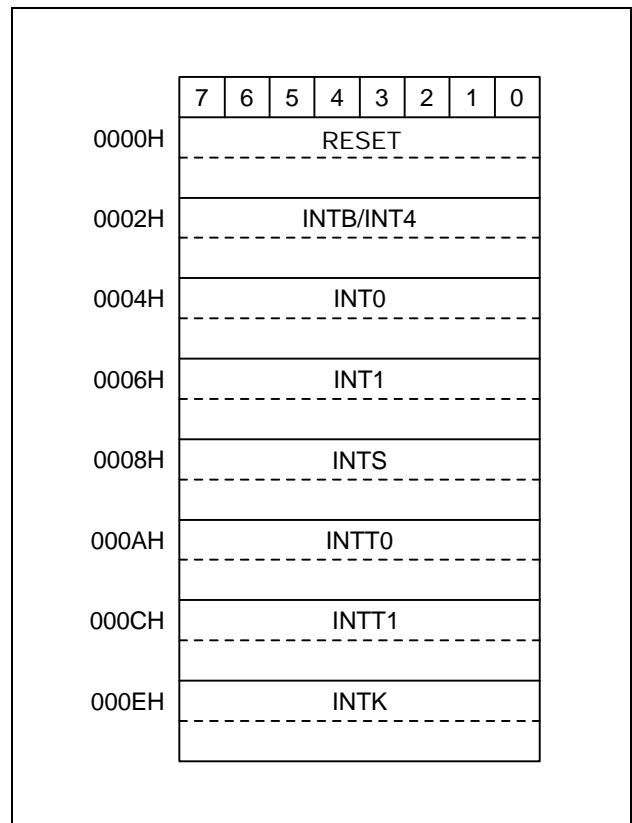


Figure 2-2. Vector Address Map

PROGRAMMING TIP — Defining Vectored Interrupts

The following examples show you several ways you can define the vectored interrupt and instruction reference areas in program memory:

1. When all vector interrupts are used:

```

;
;      ORG      0000H
;
;      VENT0    1,0,RESET      ; EMB ← 1, ERB ← 0; Jump to RESET address by RESET
;      VENT1    0,0,INTB      ; EMB ← 0, ERB ← 0; Jump to INTB address by INTB
;      VENT2    0,0,INT0      ; EMB ← 0, ERB ← 0; Jump to INT0 address by INT0
;      VENT3    0,0,INT1      ; EMB ← 0, ERB ← 0; Jump to INT1 address by INT1
;      VENT4    0,0,INTS      ; EMB ← 0, ERB ← 0; Jump to INTS address by INTS
;      VENT5    0,0,INTT0     ; EMB ← 0, ERB ← 0; Jump to INTT0 address by INTT0
;      VENT6    0,0,INTT1     ; EMB ← 0, ERB ← 0; Jump to INTT1 address by INTT1
;      VENT7    0,0,INTK      ; EMB ← 0, ERB ← 0; Jump to INTK address by INTK

```

2. When a specific vectored interrupt such as INT0, and INTT0 is not used, the unused vector interrupt locations must be skipped with the assembly instruction ORG so that jumps will address the correct locations:

```

;
;      ORG      0000H
;
;      VENT0    1,0,RESET      ; EMB ← 1, ERB ← 0; Jump to RESET address by RESET
;      VENT1    0,0,INTB      ; EMB ← 0, ERB ← 0; Jump to INTB address by INTB
;      ORG      0006H          ; INT0 interrupt not used
;      VENT3    0,0,INT1      ; EMB ← 0, ERB ← 0; Jump to INT1 address by INT1
;      VENT4    0,0,INTS      ; EMB ← 0, ERB ← 0; Jump to INTS address by INTS
;
;      ORG      000CH          ; INTT0 interrupt not used
;
;      VENT6    0,0,INTT1     ; EMB ← 0, ERB ← 0; Jump to INTT1 address by INTT1
;      VENT7    0,0,INTK      ; EMB ← 0, ERB ← 0; Jump to INTK address by INTK
;
;      ORG      0010H

```

 **PROGRAMMING TIP — Defining Vectored Interrupts (Continued)**

3. If an INT0 interrupt is not used and if its corresponding vector interrupt area is not fully utilized, or if it is not written by a ORG instruction as in Example 2, a CPU malfunction will occur:

```

    ORG      0000H
;
    VENT0    1,0,RESET      ; EMB ← 1, ERB ← 0; Jump to RESET address by RESET
    VENT1    0,0,INTB      ; EMB ← 0, ERB ← 0; Jump to INTB address by INTB
    VENT3    0,0,INT1      ; EMB ← 0, ERB ← 0; Jump to INT1 address by INT0
    VENT4    0,0,INTS      ; EMB ← 0, ERB ← 0; Jump to INTS address by INT1
    VENT5    0,0,INTT0     ; EMB ← 0, ERB ← 0; Jump to INTT0 address by INTS
    VENT6    0,0,INTT1     ; EMB ← 0, ERB ← 0; Jump to INTT1 address by INTT0
    VENT7    0,0,INTK      ; EMB ← 0, ERB ← 0; Jump to INTK address by INTT1
;
    ORG      0010H
;
    General-purpose ROM area
;

```

In this example, when an INTS interrupt is generated, the corresponding vector area is not VENT4 INTS, but VENT5 INTT0. This causes an INTS interrupt to jump incorrectly to the INTT0 address and causes a CPU malfunction to occur.

INSTRUCTION REFERENCE AREA

Using 1-byte REF instructions, you can easily reference instructions with larger byte sizes that are stored in addresses 0020H–007FH of program memory. This 96-byte area is called the REF instruction reference area, or look-up table. Locations in the REF look-up table may contain two 1-byte instructions, one 2-byte instruction, or one 3-byte instruction such as a JP (jump) or CALL. The starting address of the instruction you are referencing must always be an even number. To reference a JP or CALL instruction, it must be written to the reference area in a two-byte format: for JP, this format is TJP; for CALL, it is TCALL. In summary, there are three ways to the REF instruction:

By using REF instructions you can execute instructions larger than one byte. In summary, there are three ways you can use the REF instruction:

- Using the 1-byte REF instruction to execute one 2-byte or two 1-byte instructions,
- Branching to any location by referencing a branch instruction stored in the look-up table,
- Calling subroutines at any location by referencing a call instruction stored in the look-up table.

 **PROGRAMMING TIP — Using the REF Look-Up Table**

Here is one example of how to use the REF instruction look-up table:

```

                ORG      0020H
;
JMAIN      TJP      MAIN      ; 0, MAIN
KEYCK      BTSF     KEYFG     ; 1, KEYFG CHECK
WATCH     TCALL    CLOCK     ; 2, Call CLOCK
INCHL     LD       @HL,A     ; 3, (HL) ← A
                INCS     HL
                •
                •
                •
ABC       LD       EA,#00H    ; 47, EA ← #00H
                ORG      0080
;
MAIN      NOP
                NOP
                •
                •
                •
                REF     KEYCK     ; BTSF KEYFG (1-byte instruction)
                REF     JMAIN     ; KEYFG = 1, jump to MAIN (1-byte instruction)
                REF     WATCH    ; KEYFG = 0, CALL CLOCK (1-byte instruction)
                REF     INCHL    ; LD @HL,A
                ; INCS HL
                REF     ABC      ; LD EA,#00H (1-byte instruction)
                •
                •
                •

```

DATA MEMORY (RAM)

OVERVIEW

In its standard configuration, the 1298 x 4-bit data memory has four areas:

- 32 x 4-bit working register area in bank 0
- 224 x 4-bit general-purpose area in bank 0 which is also used as the stack area
- 256 x 4-bit general-purpose area in bank 1
- 224 x 4-bit area for LCD data in bank 2
- 32 x 4-bit general-purpose area in bank 2
- 256 x 4-bit general-purpose area in bank 3
- 256 x 4-bit general-purpose area in bank 4
- 128 x 4-bit area in bank 15 for memory-mapped I/O addresses

To make it easier to reference, the data memory area has six memory banks — bank 0, bank 1, bank 2, bank 3, bank 4 and bank 15. The select memory bank instruction (SMB) is used to select the bank you want to select as working data memory. Data stored in RAM locations are 1-, 4-, and 8-bit addressable.

Initialization values for the data memory area are not defined by hardware and must therefore be initialized by program software following power RESET. However, when RESET signal is generated in power-down mode, the most of data memory contents are held.

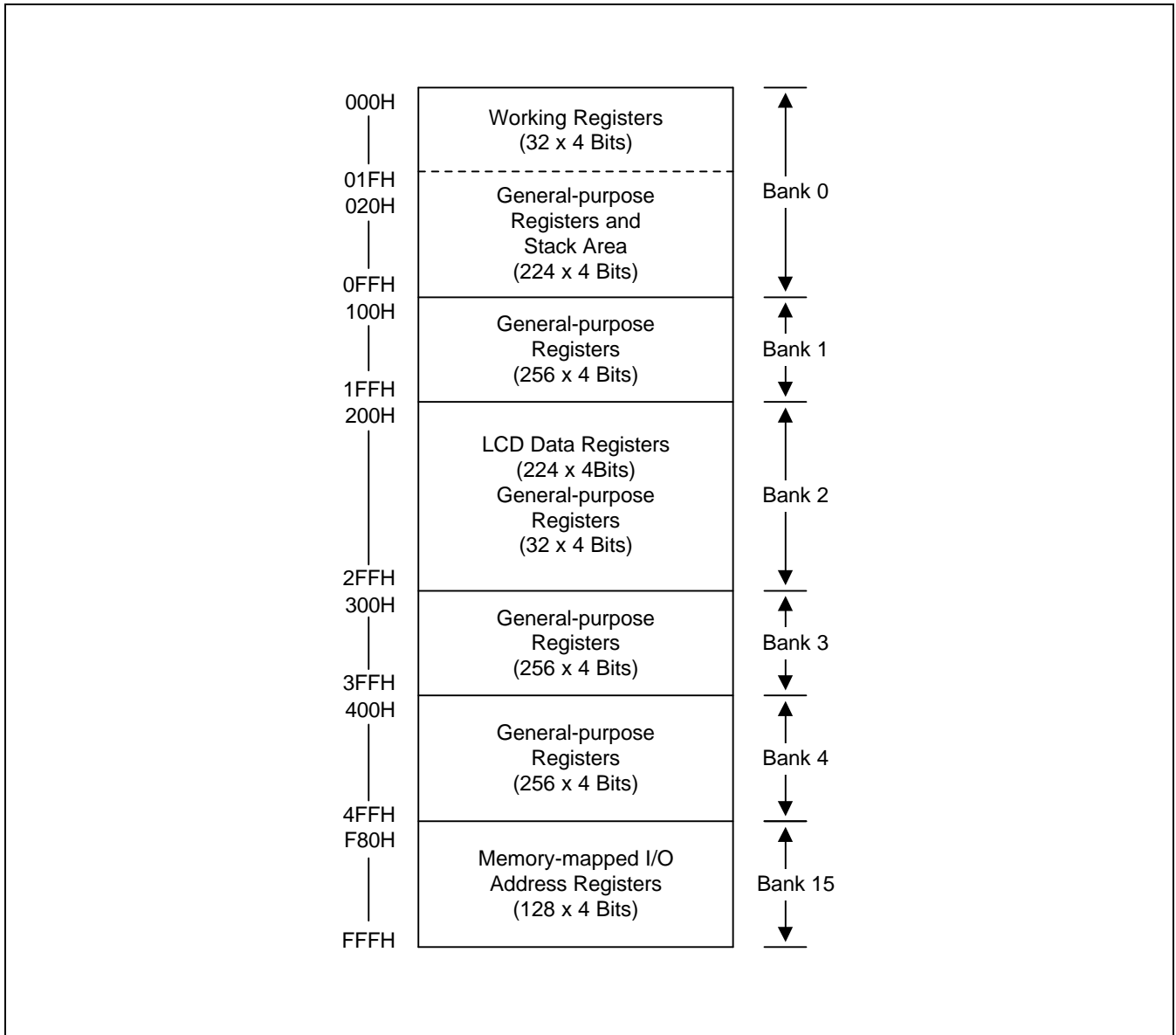


Figure 2-3. Data Memory (RAM) Map

Memory Banks 0, 1, 2, 3, 4 and 15

Bank 0	(000H–0FFH)	The lowest 32 nibbles of bank 0 (000H–01FH) are used as working registers; the next 224 nibbles (020H–0FFH) can be used both as stack area and as general-purpose data memory. Use the stack area for implementing subroutine calls and returns, and for interrupt processing.
Bank 1	(100H–1FFH)	Bank 1 is used for general-purpose.
Bank 2	(200H–2FFH)	The 224 nibbles of bank 2 are for display registers or general-purpose use; locations 2xE and 2xF (x = 0–F) are for general-purpose use in bank 2. Detailed map on bank 2 is shown in Section 12 LCD Controller/Driver.
Bank 3	(300H–3FFH)	Bank 3 is used for general-purpose.
Bank 4	(400H–4FFH)	Bank 4 is used for general-purpose.
Bank 15	(F80H–FFFH)	The microcontroller uses bank 15 for memory-mapped peripheral I/O. Fixed RAM locations for each peripheral hardware address are mapped into this area.

Data Memory Addressing Modes

The enable memory bank (EMB) flag controls the addressing mode for data memory banks 0, 1, 2, 3, 4 or 15. When the EMB flag is logic zero, the addressable area is restricted to specific locations, depending on whether direct or indirect addressing is used. With direct addressing, you can access locations 000H–07FH of bank 0 and bank 15. With indirect addressing, only bank 0 (000H–0FFH) can be accessed. When the EMB flag is set to logic one, all four data memory banks can be accessed according to the current SMB value.

For 8-bit addressing, two 4-bit registers are addressed as a register pair. Also, when using 8-bit instructions to address RAM locations, remember to use the even-numbered register address as the instruction operand.

Working Registers

The RAM working register area in data memory bank 0 is further divided into four *register* banks (bank 0, 1, 2, and 3). Each register bank has eight 4-bit registers and paired 4-bit registers are 8-bit addressable.


Register A is used as a 4-bit accumulator and register pair EA as an 8-bit extended accumulator. The carry flag bit can also be used as a 1-bit accumulator. Register pairs WX, WL, and HL are used as address pointers for indirect addressing. To limit the possibility of data corruption due to incorrect register addressing, it is advisable to use register bank 0 for the main program and banks 1, 2, and 3 for interrupt service routines.

LCD Data Register Area

Bit values for LCD segment data are stored in data memory bank 2. Register locations in this area that are not used to store LCD data can be assigned to general-purpose use.

Table 2-2. Data Memory Organization and Addressing

Addresses	Register Areas	Bank	EMB Value	SMB Value
000H–01FH	Working registers	0	0, 1	0
020H–0FFH	Stack and general-purpose registers			
100H–1FFH	General-purpose registers	1	1	1
200H–2FFH	Display registers and general-purpose registers	2	1	2
300H–3FFH	General-purpose registers	3	1	3
400H–4FFH	General-purpose registers	4	1	4
F80H–FFFH	I/O-mapped hardware registers	15	0, 1	15

 **PROGRAMMING TIP — Clearing Data Memory Banks 0 and 1**

Clear banks 0 and 1 of the data memory area:

```

RAMCLR  SMB      1                ; RAM (100H–1FFH) clear
        LD      HL,#00H
        LD      A,#0H
RMCL1   LD      @HL,A
        INCS   HL
        JR      RMCL1
;
        SMB      0                ; RAM (010H–0FFH) clear
        LD      HL,#10H
RMCL0   LD      @HL,A
        INCS   HL
        JR      RMCL0

```

WORKING REGISTERS

Working registers, mapped to RAM address 000H-01FH in data memory bank 0, are used to temporarily store intermediate results during program execution, as well as pointer values used for indirect addressing. Unused registers may be used as general-purpose memory. Working register data can be manipulated as 1-bit units, 4-bit units or, using paired registers, as 8-bit units.

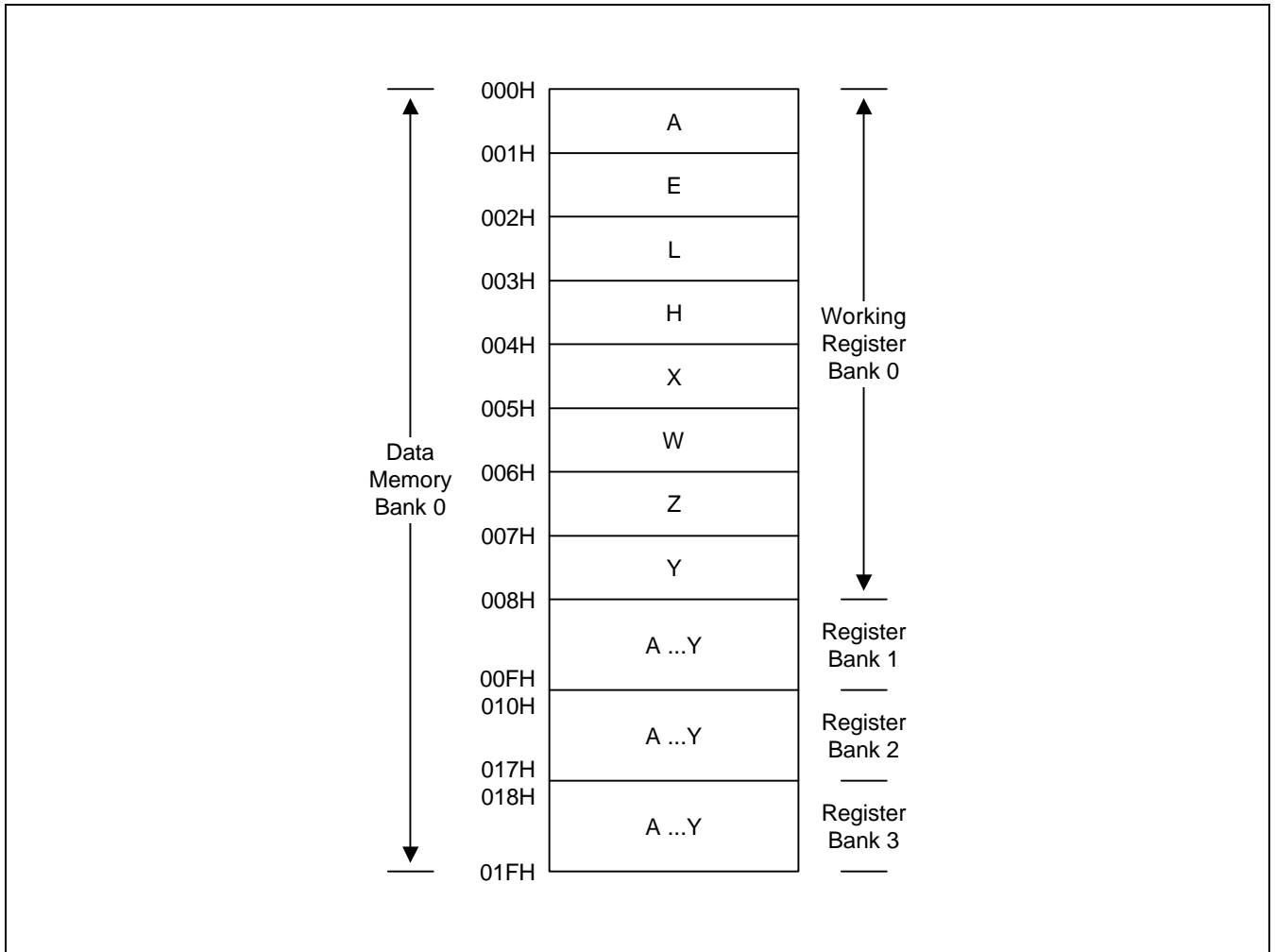


Figure 2-4. Working Register Map

Working Register Banks

For addressing purposes, the working register area is divided into four register banks — bank 0, bank 1, bank 2, and bank 3. Any one of these banks can be selected as the working register bank by the register bank selection instruction (SRBn) and by setting the status of the register bank enable flag (ERB).

Generally, working register bank 0 is used for the main program, and banks 1, 2, and 3 for interrupt service routines. Following this convention helps to prevent possible data corruption during program execution due to contention in register bank addressing.

Table 2-3. Working Register Organization and Addressing

ERB Setting	SRB Settings				Selected Register Bank
	3	2	1	0	
0	0	0	x	x	Always set to bank 0
1	0	0	0	0	Bank 0
			0	1	Bank 1
			1	0	Bank 2
			1	1	Bank 3

NOTE: 'x' means don't care.

Paired Working Registers

Each of the register banks is subdivided into eight 4-bit registers. These registers, named Y, Z, W, X, H, L, E and A, can either be manipulated individually using 4-bit instructions, or together as register pairs for 8-bit data manipulation.

The names of the 8-bit register pairs in each register bank are EA, HL, WX, YZ and WL. Registers A, L, X and Z always become the lower nibble when registers are addressed as 8-bit pairs. This makes a total of eight 4-bit registers or four 8-bit double registers in each of the four working register banks.

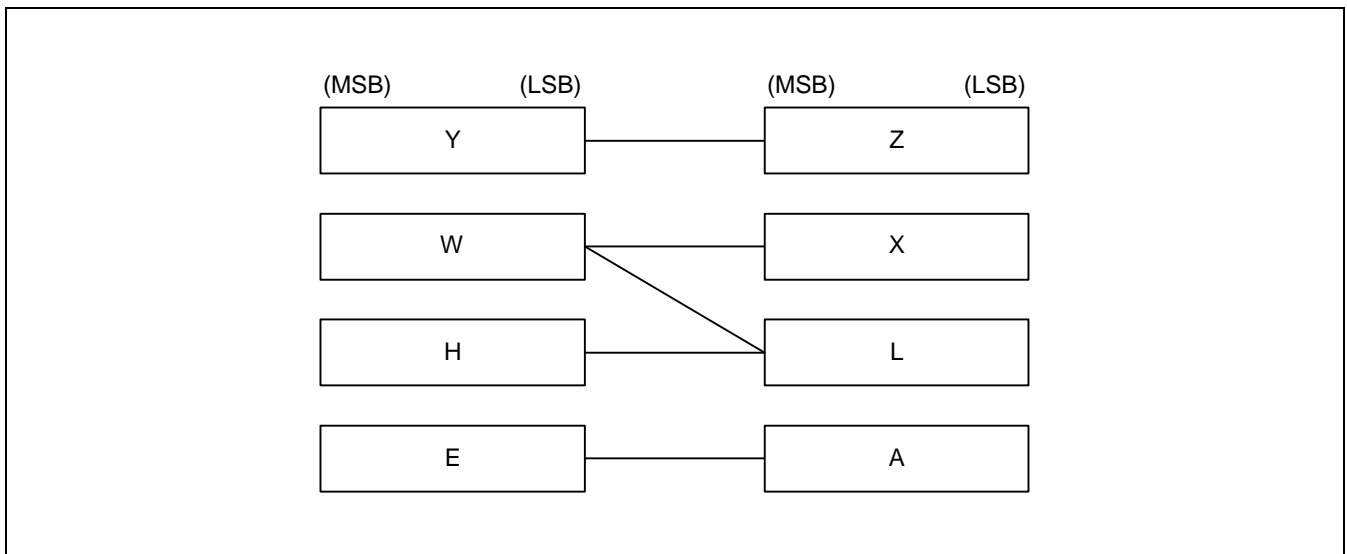


Figure 2-5. Register Pair Configuration

Special-Purpose Working Registers

Register A is used as a 4-bit accumulator and double register EA as an 8-bit accumulator. The carry flag can also be used as a 1-bit accumulator.

8-bit double registers WX, WL and HL are used as data pointers for indirect addressing. When the HL register serves as a data pointer, the instructions LDI, LDD, XCHI, and XCHD can make very efficient use of working registers as program loop counters by letting you transfer a value to the L register and increment or decrement it using a single instruction.

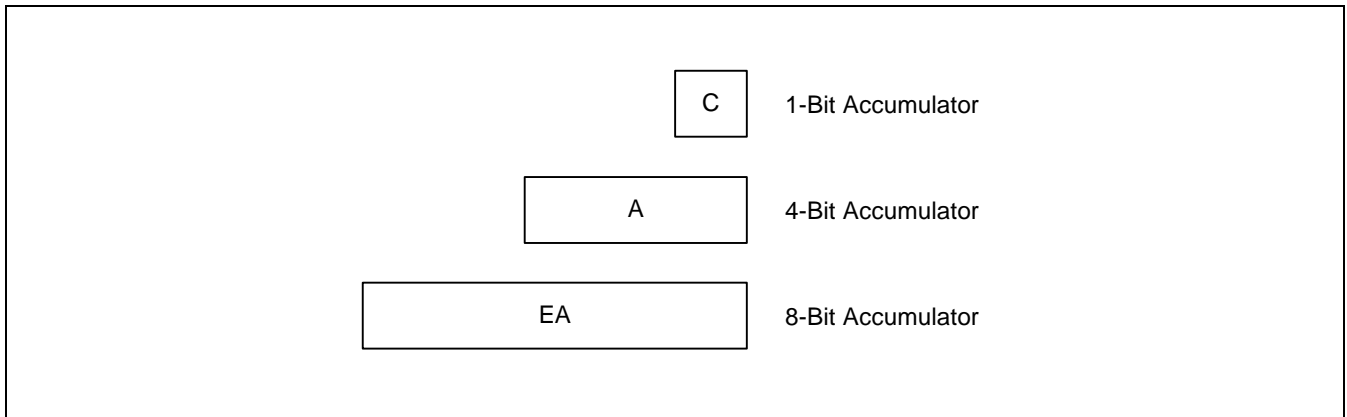


Figure 2-6. 1-Bit, 4-Bit, and 8-Bit Accumulator

Recommendation for Multiple Interrupt Processing

If more than four interrupts are being processed at one time, you can avoid possible loss of working register data by using the PUSH RR instruction to save register contents to the stack before the service routines are executed in the same register bank. When the routines have executed successfully, you can restore the register contents from the stack to working memory using the POP instruction.

PROGRAMMING TIP — Selecting the Working Register Area

The following examples show the correct programming method for selecting working register area:

1. When ERB = "0":

```

                VENT2    1,0,INT0          ; EMB ← 1, ERB ← 0, Jump to INT0 address
;
INT0    PUSH    SB          ; PUSH current SMB, SRB
        SRB     2          ; Instruction does not execute because ERB = "0"
        PUSH   HL          ; PUSH HL register contents to stack
        PUSH   WX          ; PUSH WX register contents to stack
        PUSH   YZ          ; PUSH YZ register contents to stack
        PUSH   EA          ; PUSH EA register contents to stack
        SMB    0
        LD     EA,#00H
        LD     80H,EA
        LD     HL,#40H
        INCS   HL
        LD     WX,EA
        LD     YZ,EA
        POP    EA          ; POP EA register contents from stack
        POP    YZ          ; POP YZ register contents from stack
        POP    WX          ; POP WX register contents from stack
        POP    HL          ; POP HL register contents from stack
        POP    SB          ; POP current SMB, SRB
        IRET

```

The POP instructions execute alternately with the PUSH instructions. If an SMB n instruction is used in an interrupt service routine, a PUSH and POP SB instruction must be used to store and restore the current SMB and SRB values, as shown in Example 2 below.

2. When ERB = "1":

```

                VENT2    1,1,INT0          ; EMB ← 1, ERB ← 1, Jump to INT0 address
;
INT0    PUSH    SB          ; Store current SMB, SRB
        SRB     2          ; Select register bank 2 because of ERB = "1"
        SMB    0
        LD     EA,#00H
        LD     80H,EA
        LD     HL,#40H
        INCS   HL
        LD     WX,EA
        LD     YZ,EA
        POP    SB          ; Restore SMB, SRB
        IRET

```

STACK OPERATIONS

STACK POINTER (SP)

The stack pointer (SP) is an 8-bit register that stores the address used to access the stack, an area of data memory set aside for temporary storage of data and addresses. The SP can be read or written by 8-bit control instructions. When addressing the SP, bit 0 must always remain cleared to logic zero.

F80H	SP3	SP2	SP1	"0"
F81H	SP7	SP6	SP5	SP4

There are two basic stack operations: writing to the top of the stack (push), and reading from the top of the stack (pop). A push decrements the SP and a pop increments it so that the SP always points to the top address of the last data to be written to the stack.

The program counter contents and program status word are stored in the stack area prior to the execution of a CALL or a PUSH instruction, or during interrupt service routines. Stack operation is a LIFO (Last In-First Out) type. The stack area is located in general-purpose data memory bank 0.

During an interrupt or a subroutine, the PC value and the PSW are saved to the stack area. When the routine has completed, the stack pointer is referenced to restore the PC and PSW, and the next instruction is executed. The SP can address stack registers in bank 0 (addresses 000H-0FFH) regardless of the current value of the enable memory bank (EMB) flag and the select memory bank (SMB) flag. Although general-purpose register areas can be used for stack operations, be careful to avoid data loss due to simultaneous use of the same register(s). Since the reset value of the stack pointer is not defined in firmware, we recommend that you initialize the stack pointer by program code to location 00H. This sets the first register of the stack area to 0FFH.

NOTE

A subroutine call occupies six nibbles in the stack; an interrupt requires six. When subroutine nesting or interrupt routines are used continuously, the stack area should be set in accordance with the maximum number of subroutine levels. To do this, estimate the number of nibbles that will be used for the subroutines or interrupts and set the stack area correspondingly.

PROGRAMMING TIP — Initializing the Stack Pointer

To initialize the stack pointer (SP):

1. When EMB = "1":

```
SMB      15          ; Select memory bank 15
LD       EA,#00H    ; Bit 0 of SP is always cleared to "0"
LD       SP,EA      ; Stack area initial address (0FFH) ← (SP) – 1
```

2. When EMB = "0":

```
LD       EA,#00H
LD       SP,EA      ; Memory addressing area (00H–7FH, F80H–FFFH)
```

PUSH OPERATIONS

Three kinds of push operations reference the stack pointer (SP) to write data from the source register to the stack: PUSH instructions, CALL instructions, and interrupts. In each case, the SP is *decremented* by a number determined by the type of push operation and then points to the next available stack location.

PUSH Instructions

A PUSH instruction references the SP to write two 4-bit data nibbles to the stack. Two 4-bit stack addresses are referenced by the stack pointer: one for the upper register value and another for the lower register. After the PUSH has executed, the SP is decremented *by two* and points to the next available stack location.

CALL Instructions

When a subroutine call is issued, the CALL instruction references the SP to write the PC's contents to six 4-bit stack locations. Current values for the enable memory bank (EMB) flag and the enable register bank (ERB) flag are also pushed to the stack. Since six 4-bit stack locations are used per CALL, you may nest subroutine calls up to the number of levels permitted in the stack.

Interrupt Routines

An interrupt routine references the SP to push the contents of the PC and the program status word (PSW) to the stack. Six 4-bit stack locations are used to store this data. After the interrupt has executed, the SP is decremented *by six* and points to the next available stack location. During an interrupt sequence, subroutines may be nested up to the number of levels which are permitted in the stack area.

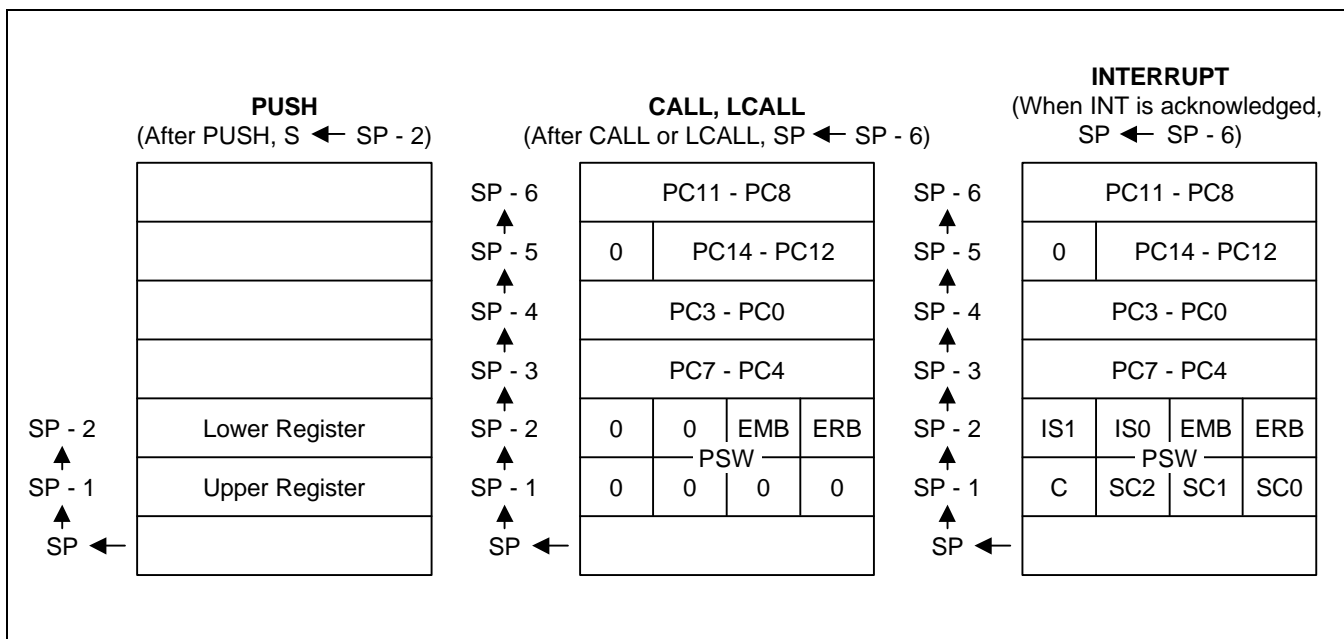


Figure 2-7. Push-Type Stack Operations

POP OPERATIONS

For each push operation there is a corresponding pop operation to write data from the stack back to the source register or registers: for the PUSH instruction it is the POP instruction; for CALL, the instruction RET or SRET; for interrupts, the instruction IRET. When a pop operation occurs, the SP is *incremented* by a number determined by the type of operation and points to the next free stack location.

POP Instructions

A POP instruction references the SP to write data stored in two 4-bit stack locations back to the register pairs and SB register. The value of the lower 4-bit register is popped first, followed by the value of the upper 4-bit register. After the POP has executed, the SP is incremented *by two* and points to the next free stack location.

RET and SRET Instructions

The end of a subroutine call is signaled by the return instruction, RET or SRET. The RET or SRET uses the SP to reference the six 4-bit stack locations used for the CALL and to write this data back to the PC, the EMB, and the ERB. After the RET or SRET has executed, the SP is incremented *by six* and points to the next free stack location.

IRET Instructions

The end of an interrupt sequence is signaled by the instruction IRET. IRET references the SP to locate the six 4-bit stack addresses used for the interrupt and to write this data back to the PC and the PSW. After the IRET has executed, the SP is incremented *by six* and points to the next free stack location.

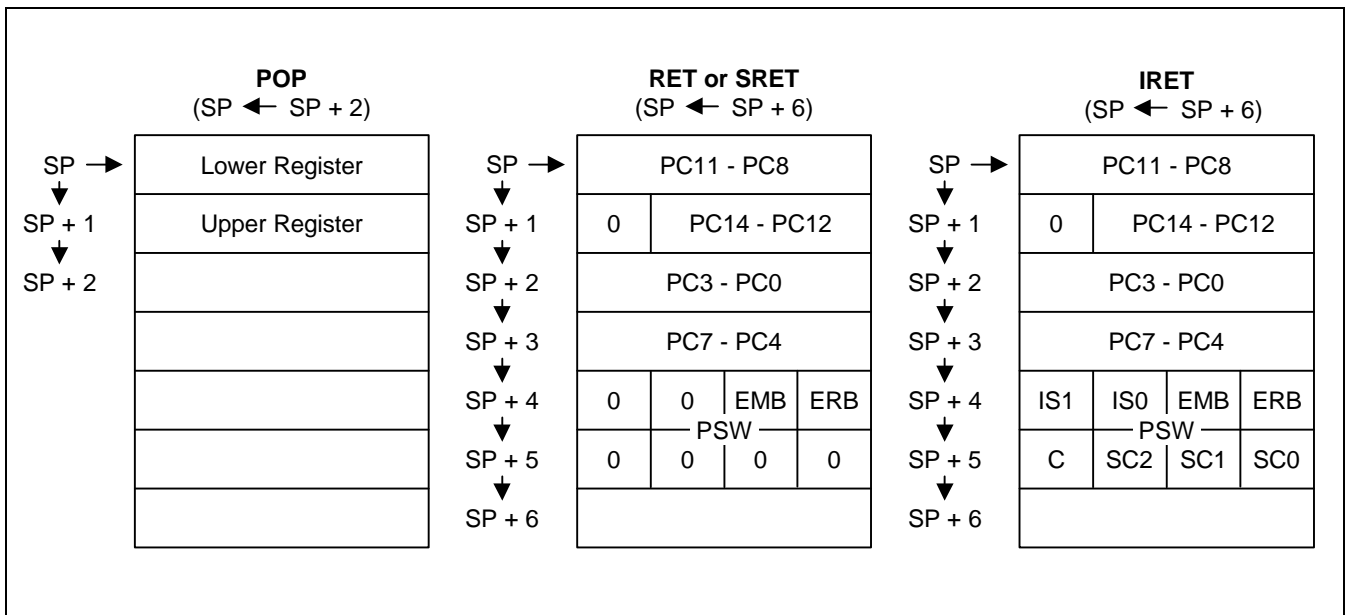


Figure 2-8. Pop-Type Stack Operations

BIT SEQUENTIAL CARRIER (BSC)

The bit sequential carrier (BSC) is a 16-bit general register that can be manipulated using 1-, 4-, and 8-bit RAM control instructions. RESET clears all BSC bit values to logic zero.

Using the BSC, you can specify sequential addresses and bit locations using 1-bit indirect addressing (memb.@L). (Bit addressing is independent of the current EMB value.) In this way, programs can process 16-bit data by moving the bit location sequentially and then incrementing or decrementing the value of the L register.

BSC data can also be manipulated using direct addressing. For 8-bit manipulations, the 4-bit register names BSC0 and BSC2 must be specified and the upper and lower 8 bits manipulated separately.

If the values of the L register are 0H at BSC0.@L, the address and bit location assignment is FC0H.0. If the L register content is FH at BSC0.@L, the address and bit location assignment is FC3H.3.

Table 2-4. BSC Register Organization

Name	Address	Bit 3	Bit 2	Bit 1	Bit 0
BSC0	FC0H	BSC0.3	BSC0.2	BSC0.1	BSC0.0
BSC1	FC1H	BSC1.3	BSC1.2	BSC1.1	BSC1.0
BSC2	FC2H	BSC2.3	BSC2.2	BSC2.1	BSC2.0
BSC3	FC3H	BSC3.3	BSC3.2	BSC3.1	BSC3.0

PROGRAMMING TIP — Using the BSC Register to Output 16-Bit Data

To use the bit sequential carrier (BSC) register to output 16-bit data (5937H) to the P3.0 pin:

```

BITS      EMB
SMB       15
LD        EA,#37H      ;
LD        BSC0,EA     ; BSC0 ← A, BSC1 ← E
LD        EA,#59H     ;
LD        BSC2,EA     ; BSC2 ← A, BSC3 ← E
SMB       0
LD        L,#0H       ;
AGN       LDB         C,BSC0.@L ;
LD        P3.0,C      ; P3.0 ← C
INCS     L
JR        AGN
RET

```

PROGRAM COUNTER (PC)

A 14-bit program counter (PC) stores addresses for instruction fetches during program execution. Whenever a reset operation or an interrupt occurs, bits PC13 through PC0 are set to the vector address.

Usually, the PC is incremented by the number of bytes of the instruction being fetched. One exception is the 1-byte REF instruction which is used to reference instructions stored in the ROM.

PROGRAM STATUS WORD (PSW)

The program status word (PSW) is an 8-bit word that defines system status and program execution status and which permits an interrupted process to resume operation after an interrupt request has been serviced. PSW values are mapped as follows:

	(MSB)		(LSB)	
FB0H	IS1	IS0	EMB	ERB
FB1H	C	SC2	SC1	SC0

The PSW can be manipulated by 1-bit or 4-bit read/write and by 8-bit read instructions, depending on the specific bit or bits being addressed. The PSW can be addressed during program execution regardless of the current value of the enable memory bank (EMB) flag.

Part or all of the PSW is saved to stack prior to execution of a subroutine call or hardware interrupt. After the interrupt has been processed, the PSW values are popped from the stack back to the PSW address.

When a RESET is generated, the EMB and ERB values are set according to the RESET vector address, and the carry flag is left undefined (or the current value is retained). PSW bits IS0, IS1, SC0, SC1, and SC2 are all cleared to logical zero.

Table 2-5. Program Status Word Bit Descriptions

PSW Bit Identifier	Description	Bit Addressing	Read/Write
IS1, IS0	Interrupt status flags	1, 4	R/W
EMB	Enable memory bank flag	1	R/W
ERB	Enable register bank flag	1	R/W
C	Carry flag	1	R/W
SC2, SC1, SC0	Program skip flags	8	R

INTERRUPT STATUS FLAGS (IS0, IS1)

PSW bits IS0 and IS1 contain the current interrupt execution status values. You can manipulate IS0 and IS1 flags directly using 1-bit RAM control instructions.

By manipulating interrupt status flags in conjunction with the interrupt priority register (IPR), you can process multiple interrupts by anticipating the next interrupt in an execution sequence. The interrupt priority control circuit determines the IS0 and IS1 settings in order to control multiple interrupt processing. When both interrupt status flags are set to "0", all interrupts are allowed. The priority with which interrupts are processed is then determined by the IPR.

When an interrupt occurs, IS0 and IS1 are pushed to the stack as part of the PSW and are automatically incremented to the next higher priority level. Then, when the interrupt service routine ends with an IRET instruction, IS0 and IS1 values are restored to the PSW. Table 2-6 shows the effects of IS0 and IS1 flag settings.

Table 2-6. Interrupt Status Flag Bit Settings

IS1 Value	IS0 Value	Status of Currently Executing Process	Effect of IS0 and IS1 Settings on Interrupt Request Control
0	0	0	All interrupt requests are serviced.
0	1	1	Only high-priority interrupt(s) as determined in the interrupt priority register (IPR) are serviced.
1	0	2	No more interrupt requests are serviced.
1	1	–	Not applicable; these bit settings are undefined.

Since interrupt status flags can be addressed by write instructions, programs can exert direct control over interrupt processing status. Before interrupt status flags can be addressed, however, you must first execute a DI instruction to inhibit additional interrupt routines. When the bit manipulation has been completed, execute an EI instruction to re-enable interrupt processing.

 PROGRAMMING TIP — Setting ISx Flags for Interrupt Processing

The following instruction sequence shows how to use the IS0 and IS1 flags to control interrupt processing:

```
INTB      DI                ; Disable interrupt
          BITR      IS1      ; IS1 ← 0
          BITS      IS0      ; Allow interrupts according to IPR priority level
          EI                ; Enable interrupt
```


EMB FLAG (EMB)

The EMB flag is used to allocate specific address locations in the RAM by modifying the upper 4 bits of 12-bit data memory addresses. In this way, it controls the addressing mode for data memory banks 0, 1, 2, 3, 4 or 15.

When the EMB flag is "0", the data memory address space is restricted to bank 15 and addresses 000H–07FH of memory bank 0, regardless of the SMB register contents. When the EMB flag is set to "1", the general-purpose areas of bank 0, 1, 2, 3, 4 and 15 can be accessed by using the appropriate SMB value.

 PROGRAMMING TIP — Using the EMB Flag to Select Memory Banks

EMB flag settings for memory bank selection:

1. When EMB = "0":

SMB	1	; Non-essential instruction since EMB = "0"
LD	A,#9H	
LD	90H,A	; (F90H) ← A, bank 15 is selected
LD	34H,A	; (034H) ← A, bank 0 is selected
SMB	0	; Non-essential instruction since EMB = "0"
LD	90H,A	; (F90H) ← A, bank 15 is selected
LD	34H,A	; (034H) ← A, bank 0 is selected
SMB	15	; Non-essential instruction, since EMB = "0"
LD	20H,A	; (020H) ← A, bank 0 is selected
LD	90H,A	; (F90H) ← A, bank 15 is selected

2. When EMB = "1":

SMB	1	; Select memory bank 1
LD	A,#9H	
LD	90H,A	; (190H) ← A, bank 1 is selected
LD	34H,A	; (134H) ← A, bank 1 is selected
SMB	0	; Select memory bank 0
LD	90H,A	; (090H) ← A, bank 0 is selected
LD	34H,A	; (034H) ← A, bank 0 is selected
SMB	15	; Select memory bank 15
LD	20H,A	; Program error, but assembler does not detect it
LD	90H,A	; (F90H) ← A, bank 15 is selected

ERB FLAG (ERB)

The 1-bit register bank enable flag (ERB) determines the range of addressable working register area. When the ERB flag is "1", the working register area from register banks 0 to 3 is selected according to the register bank selection register (SRB). When the ERB flag is "0", register bank 0 is the selected working register area, regardless of the current value of the register bank selection register (SRB).

When an internal RESET is generated, bit 6 of program memory address 0000H is written to the ERB flag. This automatically initializes the flag. When a vectored interrupt is generated, bit 6 of the respective address table in program memory is written to the ERB flag, setting the correct flag status before the interrupt service routine is executed.

During the interrupt routine, the ERB value is automatically pushed to the stack area along with the other PSW bits. Afterwards, it is popped back to the FB0H.0 bit location. The initial ERB flag settings for each vectored interrupt are defined using VENTn instructions.

 **PROGRAMMING TIP — Using the ERB Flag to Select Register Banks**

ERB flag settings for register bank selection:

1. When ERB = "0":

SRB	1	; Register bank 0 is selected (since ERB = "0", the SRB is configured to bank 0)
LD	EA,#34H	; Bank 0 EA ← #34H
LD	HL,EA	; Bank 0 HL ← EA
SRB	2	; Register bank 0 is selected
LD	YZ,EA	; Bank 0 YZ ← EA
SRB	3	; Register bank 0 is selected
LD	WX,EA	; Bank 0 WX ← EA

2. When ERB = "1":

SRB	1	; Register bank 1 is selected
LD	EA,#34H	; Bank 1 EA ← #34H
LD	HL,EA	; Bank 1 HL ← Bank 1 EA
SRB	2	; Register bank 2 is selected
LD	YZ,EA	; Bank 2 YZ ← BANK2 EA
SRB	3	; Register bank 3 is selected
LD	WX,EA	; Bank 3 WX ← Bank 3 EA

SKIP CONDITION FLAGS (SC2, SC1, SC0)

The skip condition flags SC2, SC1, and SC0 in the PSW indicate the current program skip conditions and are set and reset automatically during program execution. Skip condition flags can only be addressed by 8-bit read instructions. Direct manipulation of the SC2, SC1, and SC0 bits is not allowed.

CARRY FLAG (C)

The carry flag is used to save the result of an overflow or borrow when executing arithmetic instructions involving a carry (ADC, SBC). The carry flag can also be used as a 1-bit accumulator for performing Boolean operations involving bit-addressed data memory.

If an overflow or borrow condition occurs when executing arithmetic instructions with carry (ADC, SBC), the carry flag is set to "1". Otherwise, its value is "0". When a RESET occurs, the current value of the carry flag is retained during power-down mode, but when normal operating mode resumes, its value is undefined.

The carry flag can be directly manipulated by predefined set of 1-bit read/write instructions, independent of other bits in the PSW. Only the ADC and SBC instructions, and the instructions listed in Table 2-7, affect the carry flag.

Table 2-7. Valid Carry Flag Manipulation Instructions

Operation Type	Instructions	Carry Flag Manipulation
Direct manipulation	SCF	Set carry flag to "1".
	RCF	Clear carry flag to "0" (reset carry flag).
	CCF	Invert carry flag value (complement carry flag).
	BTST C	Test carry and skip if C = "1".
Bit transfer	LDB (operand) ⁽¹⁾ ,C	Load carry flag value to the specified bit.
	LDB C,(operand) ⁽¹⁾	Load contents of the specified bit to carry flag.
Boolean manipulation	BAND C,(operand) ⁽¹⁾	AND the specified bit with contents of carry flag and save the result to the carry flag.
	BOR C,(operand) ⁽¹⁾	OR the specified bit with contents of carry flag and save the result to the carry flag.
	BXOR C,(operand) ⁽¹⁾	XOR the specified bit with contents of carry flag and save the result to the carry flag.
Interrupt routine	INT _n ⁽²⁾	Save carry flag to stack with other PSW bits.
Return from interrupt	IRET	Restore carry flag from stack with other PSW bits.

NOTES:

1. The operand has three bit addressing formats: mema.a, memb.@L, and @H + DA.b.
2. 'INT_n' refers to the specific interrupt being executed and is not an instruction.

 **PROGRAMMING TIP — Using the Carry Flag as a 1-Bit Accumulator**

1. Set the carry flag to logic one:

```
SCF                ; C ← 1
LD      EA,#0C3H   ; EA ← #0C3H
LD      HL,#0AAH   ; HL ← #0AAH
ADC     EA,HL      ; EA ← #0C3H + #0AAH + #1H, C ← 1
```

2. Logical-AND bit 3 of address 3FH with P3.3 and output the result to P5.0:

```
LD      H,#3H      ; Set the upper four bits of the address to the H register
                          ; value
LDB     C,@H+0FH.3 ; C ← bit 3 of 3FH
BAND    C,P3.3     ; C ← C AND P3.3
LDB     P5.0,C     ; Output result from carry flag to P5.0
```

3 ADDRESSING MODES

OVERVIEW

The enable memory bank flag, EMB, controls the two addressing modes for data memory. When the EMB flag is set to logic one, you can address the entire RAM area; when the EMB flag is cleared to logic zero, the addressable area in the RAM is restricted to specific locations.

The EMB flag works in connection with the select memory bank instruction, SMBn. You will recall that the SMBn instruction is used to select RAM bank 0, 1, 2, 3, 4 or 15. The SMB setting is always contained in the upper four bits of a 12-bit RAM address. For this reason, both addressing modes (EMB = "0" and EMB = "1") apply specifically to the memory bank indicated by the SMB instruction, and any restrictions to the addressable area within banks 0, 1, 2, 3, 4 or 15. Direct and indirect 1-bit, 4-bit, and 8-bit addressing methods can be used. Several RAM locations are addressable at all times, regardless of the current EMB flag setting.

Here are a few guidelines to keep in mind regarding data memory addressing:

- When you address peripheral hardware locations in bank 15, the mnemonic for the memory-mapped hardware component can be used as the operand in place of the actual address location.
- Always use an even-numbered RAM address as the operand in 8-bit direct and indirect addressing.
- With direct addressing, use the RAM address as the instruction operand; with indirect addressing, the instruction specifies a register which contains the operand's address.

RAM Areas		Addressing Mode		DA DA.b		@HL @H+DA.b		@WX @WL	mema.b	memb.@L
		EMB = 0	EMB = 1	EMB = 0	EMB = 1	X	X	X		
000H	Working Registers	↑ ↓	SMB = 0	SMB = 0	SMB = 0	SMB = 0	SMB = 0	SMB = 0	SMB = 0	SMB = 0
01FH										
020H										
07FH	Bank 0 (General Registers and Stack)	↑ ↓	SMB = 0	SMB = 0	SMB = 0	SMB = 0	SMB = 0	SMB = 0	SMB = 0	SMB = 0
080H										
0FFH										
100H	Bank 1 (General Registers)	↑ ↓	SMB = 1	SMB = 1	SMB = 1	SMB = 1	SMB = 1	SMB = 1	SMB = 1	SMB = 1
1FFH										
200H										
2FFH	Bank 2 (Display Registers & General Registers)	↑ ↓	SMB = 2	SMB = 2	SMB = 2	SMB = 2	SMB = 2	SMB = 2	SMB = 2	SMB = 2
300H										
3FFH										
400H	Bank 3 (General Registers)	↑ ↓	SMB = 3	SMB = 3	SMB = 3	SMB = 3	SMB = 3	SMB = 3	SMB = 3	SMB = 3
4FFH										
5FFH										
600H	Bank 4 (General Registers)	↑ ↓	SMB = 4	SMB = 4	SMB = 4	SMB = 4	SMB = 4	SMB = 4	SMB = 4	SMB = 4
6FFH										
7FFH										
800H	Bank 15 (Peripheral Hardware Registers)	↑ ↓	SMB = 15	SMB = 15	SMB = 15	SMB = 15	SMB = 15	SMB = 15	SMB = 15	SMB = 15
8FFH										
9FFH										
1000H	Bank 15 (Peripheral Hardware Registers)	↑ ↓	SMB = 15	SMB = 15	SMB = 15	SMB = 15	SMB = 15	SMB = 15	SMB = 15	SMB = 15
10FFH										
1100H										
11FFH	Bank 15 (Peripheral Hardware Registers)	↑ ↓	SMB = 15	SMB = 15	SMB = 15	SMB = 15	SMB = 15	SMB = 15	SMB = 15	SMB = 15
1200H										
12FFH										
1300H	Bank 15 (Peripheral Hardware Registers)	↑ ↓	SMB = 15	SMB = 15	SMB = 15	SMB = 15	SMB = 15	SMB = 15	SMB = 15	SMB = 15
13FFH										
1400H										
14FFH	Bank 15 (Peripheral Hardware Registers)	↑ ↓	SMB = 15	SMB = 15	SMB = 15	SMB = 15	SMB = 15	SMB = 15	SMB = 15	SMB = 15
1500H										
15FFH										
1600H	Bank 15 (Peripheral Hardware Registers)	↑ ↓	SMB = 15	SMB = 15	SMB = 15	SMB = 15	SMB = 15	SMB = 15	SMB = 15	SMB = 15
16FFH										
1700H										
17FFH	Bank 15 (Peripheral Hardware Registers)	↑ ↓	SMB = 15	SMB = 15	SMB = 15	SMB = 15	SMB = 15	SMB = 15	SMB = 15	SMB = 15
1800H										
18FFH										
1900H	Bank 15 (Peripheral Hardware Registers)	↑ ↓	SMB = 15	SMB = 15	SMB = 15	SMB = 15	SMB = 15	SMB = 15	SMB = 15	SMB = 15
19FFH										
1A00H										
1AFFH	Bank 15 (Peripheral Hardware Registers)	↑ ↓	SMB = 15	SMB = 15	SMB = 15	SMB = 15	SMB = 15	SMB = 15	SMB = 15	SMB = 15
1B00H										
1BFFH										
1C00H	Bank 15 (Peripheral Hardware Registers)	↑ ↓	SMB = 15	SMB = 15	SMB = 15	SMB = 15	SMB = 15	SMB = 15	SMB = 15	SMB = 15
1CFFH										
1D00H										
1DFFH	Bank 15 (Peripheral Hardware Registers)	↑ ↓	SMB = 15	SMB = 15	SMB = 15	SMB = 15	SMB = 15	SMB = 15	SMB = 15	SMB = 15
1E00H										
1EFFH										
1F00H	Bank 15 (Peripheral Hardware Registers)	↑ ↓	SMB = 15	SMB = 15	SMB = 15	SMB = 15	SMB = 15	SMB = 15	SMB = 15	SMB = 15
1FFFH										
2000H										

NOTES:

- 'X' means don't care.
- Blank columns indicate RAM areas that are not addressable, given the addressing method and enable memory bank (EMB) flag setting shown in the column headers.

Figure 3-1. RAM Address Structure

EMB AND ERB INITIALIZATION VALUES

The EMB and ERB flag bits are set automatically by the values of the RESET vector address and the interrupt vector address. When a RESET is generated internally, bit 7 of program memory address 0000H is written to the EMB flag, initializing it automatically. When a vectored interrupt is generated, bit 7 of the respective vector address table is written to the EMB. This automatically sets the EMB flag status for the interrupt service routine. When the interrupt is serviced, the EMB value is automatically saved to stack and then restored when the interrupt routine has completed.

At the beginning of a program, the initial EMB and ERB flag values for each vectored interrupt must be set by using VENT instruction. The EMB and ERB can be set or reset by bit manipulation instructions (BITS, BITR) despite the current SMB setting.

PROGRAMMING TIP — Initializing the EMB and ERB Flags

The following assembly instructions show how to initialize the EMB and ERB flag settings:

```

ORG    0000H    ; ROM address assignment
VENT0  1,0,RESET ; EMB ← 1, ERB ← 0; Jump to RESET address by RESET
VENT1  0,1,INTB ; EMB ← 0, ERB ← 1; Jump to INTB address by INTB
VENT2  0,1,INT0 ; EMB ← 0, ERB ← 1; Jump to INT0 address by INT0
VENT3  0,1,INT1 ; EMB ← 0, ERB ← 1; Jump to INT1 address by INT1
VENT4  0,1,INTS ; EMB ← 0, ERB ← 1; Jump to INTS address by INTS
VENT5  0,1,INTT0 ; EMB ← 0, ERB ← 1; Jump to INTT0 address by INTT0
VENT6  0,1,INTT1 ; EMB ← 0, ERB ← 1; Jump to INTT1 address by INTT1
VENT7  0,1,INTK ; EMB ← 0, ERB ← 1; Jump to INTK address by INTK
      .
      .
      .
RESET  BITR    EMB

```

ENABLE MEMORY BANK SETTINGS**EMB = "1"**

When the enable memory bank flag EMB is set to logic one, you can address the data memory bank specified by the select memory bank (SMB) value (0, 1, 2, 3, 4 or 15) using 1-, 4-, or 8-bit instructions. You can use both direct and indirect addressing modes. The addressable RAM areas when EMB = "1" are as follows:

If SMB = 0,	000H–0FFH
If SMB = 1,	100H–1FFH
If SMB = 2,	200H–2FFH
If SMB = 3,	300H–3FFH
If SMB = 4,	400H–4FFH
If SMB = 15,	F80H–FFFH

EMB = "0"

When the enable memory bank flag EMB is set to logic zero, the addressable area is defined independently of the SMB value, and is restricted to specific locations depending on whether a direct or indirect address mode is used.

If EMB = "0", the addressable area is restricted to locations 000H–07FH in bank 0 and to locations F80H–FFFH in bank 15 for direct addressing. For indirect addressing, only locations 000H–0FFH in bank 0 are addressable, regardless of SMB value.

To address the peripheral hardware register (bank 15) using indirect addressing, the EMB flag must first be set to "1" and the SMB value to "15". When a RESET occurs, the EMB flag is set to the value contained in bit 7 of ROM address 0000H.

EMB-Independent Addressing

At any time, several areas of the data memory can be addressed independent of the current status of the EMB flag. These exceptions are described in Table 3–1.

Table 3-1. RAM Addressing Not Affected by the EMB Value

Address	Addressing Method	Affected Hardware	Program Examples
000H–0FFH	4-bit indirect addressing using WX and WL register pairs; 8-bit indirect addressing using SP	Not applicable	LD A,@WX PUSH POP
FB0H–FBFH FF0H–FFFH	1-bit direct addressing	PSW, SCMOD, IEx, IRQx, I/O	BITS EMB BITR IE4
FC0H–FFFH	1-bit indirect addressing using the L register	BSC, I/O	BTST FC3H.@L BAND C,P3.@L

SELECT BANK REGISTER (SB)

The select bank register (SB) is used to assign the memory bank and register bank. The 8-bit SB register consists of the 4-bit select register bank register (SRB) and the 4-bit select memory bank register (SMB), as shown in Figure 3-2.

During interrupts and subroutine calls, SB register contents can be saved to stack in 8-bit units by the PUSH SB instruction. You later restore the value to the SB using the POP SB instruction.

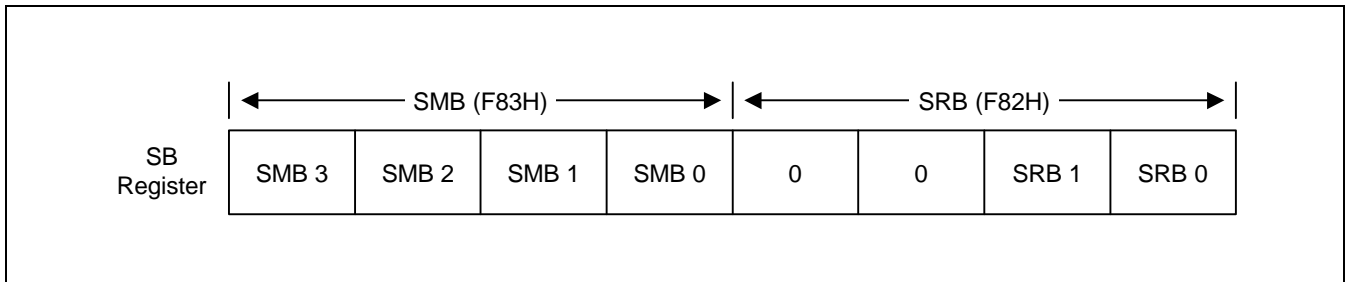


Figure 3-2. SMB and SRB Values in the SB Register

SELECT REGISTER BANK (SRB) INSTRUCTION

The select register bank (SRB) value specifies which register bank is to be used as a working register bank. The SRB value is set by the 'SRB n' instruction, where $n = 0, 1, 2, 3$.

One of the four register banks is selected by the combination of ERB flag status and the SRB value that is set using the 'SRB n' instruction. The current SRB value is retained until another register is requested by program software. PUSH SB and POP SB instructions are used to save and restore the contents of SRB during interrupts and subroutine calls. RESET clears the 4-bit SRB value to logic zero.

SELECT MEMORY BANK (SMB) INSTRUCTION

To select one of the six available data memory banks, you must execute an SMB n instruction specifying the number of the memory bank you want (0, 1, 2, 3, 4 or 15). For example, the instruction 'SMB 1' selects bank 1 and 'SMB 15' selects bank 15. (And remember to enable the selected memory bank by making the appropriate EMB flag setting).

The upper four bits of the 12-bit data memory address are stored in the SMB register. If the SMB value is not specified by software (or if a RESET does not occur) the current value is retained. RESET clears the 4-bit SMB value to logic zero.

The PUSH SB and POP SB instructions save and restore the contents of the SMB register to and from the stack area during interrupts and subroutine calls.

DIRECT AND INDIRECT ADDRESSING

1-bit, 4-bit, and 8-bit data stored in data memory locations can be addressed directly using a specific register or bit address as the instruction operand.


Indirect addressing specifies a memory location that contains the required direct address. The KS57 instruction set supports 1-bit, 4-bit, and 8-bit indirect addressing. For 8-bit indirect addressing, an even-numbered RAM address must always be used as the instruction operand.

1-BIT ADDRESSING

Table 3-2. 1-Bit Direct and Indirect RAM Addressing

Operand Notation	Addressing Mode Description	EMB Flag Setting	Addressable Area	Memory Bank	Hardware I/O Mapping
DA.b	Direct: bit is indicated by the RAM address (DA), memory bank selection, and specified bit number (b).	0	000H–07FH	Bank 0	–
			F80H–FFFH	Bank 15	All 1-bit addressable peripherals (SMB = 15)
		1	000H–FFFH	SMB = 0, 1, 2, 3, 4, 15	
mema.b	Direct: bit is indicated by addressable area (mema) and bit number (b).	x	FB0H–FBFH FF0H–FFFH	Bank 15	ISO, IS1, EMB, ERB, IEx, IRQx, Pn.n
memb.@L	Indirect: address is indicated by the upper 10 bits of RAM area (memb) and the upper two bits of register L, and bit is indicated by the lower two bits of register L.	x	FC0H–FFFH	Bank 15	BSCn.x Pn.n
@H + DA.b	Indirect: bit is indicated by the lower four bits of the address (DA), memory bank selection, and the H register identifier.	0	000H–0FFH	Bank 0	–
		1	000H–FFFH	SMB = 0, 1, 2, 3, 4, 15	All 1-bit addressable peripherals (SMB = 15)

NOTE: 'x' means don't care.

 **PROGRAMMING TIP — 1-Bit Addressing Modes**
1-Bit Direct Addressing

1. If EMB = "0":

AFLAG	EQU	34H.3	
BFLAG	EQU	85H.3	
CFLAG	EQU	0BAH.0	
	SMB	0	
	BITS	AFLAG ;	34H.3 ← 1
	BITS	BFLAG ;	F85H.3 ← 1
	BTST	CFLAG ;	If FBAH.0 = 1, skip
	BITS	BFLAG ;	Else if, FBAH.0 = 0, F85H.3 (BMOD.3) ← 1
	BITS	P3.0 ;	FF3H.0 (P3.0) ← 1

2. If EMB = "1":

AFLAG	EQU	34H.3	
BFLAG	EQU	85H.3	
CFLAG	EQU	0BAH.0	
	SMB	0	
	BITS	AFLAG ;	34H.3 ← 1
	BITS	BFLAG ;	85H.3 ← 1
	BTST	CFLAG ;	If 0BAH.0 = 1, skip
	BITS	BFLAG ;	Else if 0BAH.0 = 0, 085H.3 ← 1
	BITS	P3.0 ;	FF3H.0 (P3.0) ← 1

 **PROGRAMMING TIP — 1-Bit Addressing Modes (Continued)**
1-Bit Indirect Addressing

1. If EMB = "0":

AFLAG	EQU	34H.3	
BFLAG	EQU	85H.3	
CFLAG	EQU	0BAH.0	
	SMB	0	
	LD	H,#0BH;	H ← #0BH
	BTSTZ	@H+CFLAG	; If 0BAH.0 = 1, 0BAH.0 ← 0 and skip
	BITS	CFLAG;	Else if 0BAH.0 = 0, FBAH.0 ← 1

2. If EMB = "1":

AFLAG	EQU	34H.3	
BFLAG	EQU	85H.3	
CFLAG	EQU	0BAH.0	
	SMB	0	
	LD	H,#0BH	; H ← #0BH
	BTSTZ	@H+CFLAG	; If 0BAH.0 = 1, 0BAH.0 ← 0 and skip
	BITS	CFLAG	; Else if 0BAH.0 = 0, 0BAH.0 ← 1

4-BIT ADDRESSING

Table 3-3. 4-Bit Direct and Indirect RAM Addressing

Operand Notation	Addressing Mode Description	EMB Flag Setting	Addressable Area	Memory Bank	Hardware I/O Mapping
DA	Direct: 4-bit address indicated by the RAM address (DA) and the memory bank selection	0	000H-07FH	Bank 0	–
			F80H-FFFH	Bank 15	All 4-bit addressable peripherals (SMB = 15)
		1	000H-FFFH	SMB = 0, 1, 2, 3, 4, 15	
@HL	Indirect: 4-bit address indicated by the memory bank selection and register HL	0	000H-0FFH	Bank 0	–
		1	000H-FFFH	SMB = 0, 1, 2, 3, 4, 15	All 4-bit addressable peripherals (SMB = 15)
@WX	Indirect: 4-bit address indicated by register WX	x	000H-0FFH	Bank 0	–
@WL	Indirect: 4-bit address indicated by register WL	x	000H-0FFH	Bank 0	

NOTE: 'x' means don't care.

 **PROGRAMMING TIP — 4-Bit Addressing Modes**
4-Bit Direct Addressing

1. If EMB = "0":

ADATA	EQU	46H	
BDATA	EQU	8EH	
	SMB	15	; Non-essential instruction, since EMB = "0"
	LD	A,P3	; A ← (P3)
	SMB	0	; Non-essential instruction, since EMB = "0"
	LD	ADATA,A	; (046H) ← A
	LD	BDATA,A	; (F8EH (LCON)) ← A

2. If EMB = "1":

ADATA	EQU	46H	
BDATA	EQU	8EH	
	SMB	15	
	LD	A,P3	; A ← (P3)
	SMB	0	
	LD	ADATA,A	; (046H) ← A
	LD	BDATA,A	; (08EH) ← A

 **PROGRAMMING TIP — 4-Bit Addressing Modes (Continued)**
4-Bit Indirect Addressing (Example 1)

1. If EMB = "0", compare bank 0 locations 040H–046H with bank 0 locations 060H–066H:

```

ADATA    EQU    46H
BDATA    EQU    66H
          SMB    1                ; Non-essential instruction, since EMB = "0"
          LD     HL,#BDATA
          LD     WX,#ADATA
COMP     LD     A,@WL            ; A ← bank 0 (040H–046H)
          CPSE  A,@HL            ; If bank 0 (060H–066H) = A, skip
          SRET
          DECS  L
          JR     COMP
          RET

```

2. If EMB = "1", compare bank 0 locations 040H–046H to bank 1 locations 160H–166H:

```

ADATA    EQU    46H
BDATA    EQU    66H
          SMB    1
          LD     HL,#BDATA
          LD     WX,#ADATA
COMP     LD     A,@WL            ; A ← bank 0 (040H–046H)
          CPSE  A,@HL            ; If bank 1 (160H–166H) = A, skip
          SRET
          DECS  L
          JR     COMP
          RET

```

 **PROGRAMMING TIP — 4-Bit Addressing Modes (Concluded)**
4-Bit Indirect Addressing (Example 2)

1. If EMB = "0", exchange bank 0 locations 040H–046H with bank 0 locations 060H–066H:

```

ADATA    EQU    46H
BDATA    EQU    66H
          SMB    1                ; Non-essential instruction, since EMB = "0"
          LD     HL,#BDATA
          LD     WX,#ADATA
TRANS    LD     A,@WL            ; A * bank 0 (040H–046H)
          XCHD   A,@HL          ; Bank 0 (060H–066H) ← A
          JR     TRANS

```

2. If EMB = "1", exchange bank 0 locations 040H–046H to bank 1 locations 160H–166H:

```


ADATA    EQU    46H
BDATA    EQU    66H
          SMB    1
          LD     HL,#BDATA
          LD     WX,#ADATA
TRANS    LD     A,@WL            ; A ← bank 0 (040H–046H)
          XCHD   A,@HL          ; Bank 1 (160H–166H) ← A
          JR     TRANS

```


8-BIT ADDRESSING

Table 3-4. 8-Bit Direct and Indirect RAM Addressing

Instruction Notation	Addressing Mode Description	EMB Flag Setting	Addressable Area	Memory Bank	Hardware I/O Mapping
DA	Direct: 8-bit address indicated by the RAM address (<i>DA = even number</i>) and memory bank selection	0	000H–07FH	Bank 0	–
			F80H–FFFH	Bank 15	All 8-bit addressable peripherals (SMB = 15)
		1	000H–FFFH	SMB = 0, 1, 2, 3, 4, 15	
@HL	Indirect: the 8-bit address indicated by the memory bank selection and register HL; (the 4-bit L register value must be an even number)	0	000H–0FFH	Bank 0	–
		1	000H–FFFH	SMB = 0, 1, 2, 3, 4, 15	All 8-bit addressable peripherals (SMB = 15)

 PROGRAMMING TIP — 8-Bit Addressing Modes

8-Bit Direct Addressing

1. If EMB = "0":

```

ADATA    EQU    46H
BDATA    EQU    8EH
          SMB    15                ; Non-essential instruction, since EMB = "0"
          LD     EA,P4             ; E ← (P5), A ← (P4)
          SMB    0
          LD     ADATA,EA          ; (046H) ← A, (047H) ← E
          LD     BDATA,EA          ; (F8EH) ← A, (F8FH) ← E

```

2. If EMB = "1":

```

ADATA    EQU    46H
BDATA    EQU    8EH
          SMB    15
          LD     EA,P4             ; E ← (P5), A ← (P4)
          SMB    0
          LD     ADATA,EA          ; (046H) ← A, (047H) ← E
          LD     BDATA,EA          ; (08EH) ← A, (08FH) ← E

```

 **PROGRAMMING TIP — 8-Bit Addressing Modes (Continued)****8-Bit Indirect Addressing**

1. If EMB = "0":

ADATA	EQU	46H	
	SMB	1	; Non-essential instruction, since EMB = "0"
	LD	HL,#ADATA	
	LD	EA,@HL	; A ← (046H), E ← (047H)

2. If EMB = "1":

ADATA	EQU	46H	
	SMB	1	
	LD	HL,#ADATA	
	LD	EA,@HL	; A ← (146H), E ← (147H)

4

MEMORY MAP

OVERVIEW

To support program control of peripheral hardware, I/O addresses for peripherals are memory-mapped to bank 15 of the RAM. Memory mapping lets you use a mnemonic as the operand of an instruction in place of the specific memory location.

Access to bank 15 is controlled by the select memory bank (SMB) instruction and by the enable memory bank flag (EMB) setting. If the EMB flag is "0", bank 15 can be addressed using direct addressing, regardless of the current SMB value. 1-bit direct and indirect addressing can be used for specific locations in bank 15, regardless of the current EMB value.

I/O MAP FOR HARDWARE REGISTERS

Table 4-1 contains detailed information about I/O mapping for peripheral hardware in bank 15 (register locations F80H–FFFH). Use the I/O map as a quick-reference source when writing application programs. The I/O map gives you the following information:

- Register address
- Register name (mnemonic for program addressing)
- Bit values (both addressable and non-manipulable)
- Read-only, write-only, or read and write addressability
- 1-bit, 4-bit, or 8-bit data manipulation characteristics

Table 4-1. I/O Map for Memory Bank 15

Memory Bank 15							Addressing Mode		
Address	Register	Bit 3	Bit 2	Bit 1	Bit 0	R/W	1-Bit	4-Bit	8-Bit
F80H	SP	.3	.2	.1	"0"	R/W	No	No	Yes
F81H		.7	.6	.5	.4				
Locations F82H–F84H are not mapped.									
F85H	BMOD	.3	.2	.1	.0	W	.3	Yes	No
F86H	BCNT					R	No	No	Yes
F87H									
F88H	WMOD	.3	.2	.1	.0	W	.3 ⁽¹⁾	No	Yes
F89H		.7	"0"	.5	.4				
F8AH	LCNST	.7	"0"	"0"	"0"	W	No	No	Yes
F8BH		.3	.2	.1	.0				
F8CH	LMOD	.3	.2	.1	.0	W	No	No	Yes
F8DH		.7	.6	.5	.4				
F8EH	LCON	.3	.2	.1	.0	W	No	Yes	No
Locations F8FH is not mapped.									
F90H	TMOD0	.3	.2	"0"	"0"	W	.3	No	Yes
F91H		"0"	.6	.5	.4				
F92H		TOE1	TOE0	"U"	"0"	R/W	Yes	Yes	No
Locations F93H is not mapped.									
F94H	TCNT0					R	No	No	Yes
F95H									
F96H	TREF0					W	No	No	Yes
F97H									
F98H	WDMOD	.3	.2	.1	.0	W	No	No	Yes
F99H		.7	.6	.5	.4				
F9AH	WDFLAG ⁽²⁾	WDTCF	"0"	"0"	"0"	W	.3	Yes	No
Locations F9BH–F9FH are not mapped.									
FA0H	TMOD1	.3	.2	"0"	"0"	W	.3	No	Yes
FA1H		"0"	.6	.5	.4				
Locations FA2H–FA3H are not mapped.									
FA4H	TCNT1A					R	No	No	Yes
FA5H									
FA6H	TCNT1B								
FA7H									

Table 4-1. I/O Map for Memory Bank 15 (Continued)

Memory Bank 15							Addressing Mode		
Address	Register	Bit 3	Bit 2	Bit 1	Bit 0	R/W	1-Bit	4-Bit	8-Bit
FA8H	TREF1A					W	No	No	Yes
FA9H									
FAAH	TREF1B								
FABH									
Locations FACH–FAFH are not mapped.									
FB0H	PSW	IS1	IS0	EMB	ERB	R/W	Yes	Yes	Yes
FB1H		C ⁽³⁾	SC2	SC1	SC0	R	No	No	
FB2H	IPR	IME	.2	.1	.0	W	IME	Yes	No
FB3H	PCON	.3	.2	.1	.0	W	No	Yes	No
FB4H	IMOD0	"0"	"0"	.1	.0	W	No	Yes	No
FB5H	IMOD1	"0"	"0"	"0"	.0	W	No	Yes	No
FB6H	IMODK	"0"	.2	.1	.0	W	No	Yes	No
FB7H	SCMOD	.3	.2	"0"	.0	W	Yes	No	No
FB8H		IE4	IRQ4	IEB	IRQB	R/W	Yes	Yes	No
Locations FB9H is not mapped.									
FBAH		"0"	"0"	IEW	IRQW	R/W	Yes	Yes	No
FBBH		IEK	IRQK	IET1	IRQT1				
FBCH		"0"	"0"	IET0	IRQT0				
FBDH		"0"	"0"	IES	IRQS				
FBEH		IE1	IRQ1	IE0	IRQ0				
FBFH		"0"	"0"	IE2	IRQ2				
FC0H	BSC0					R/W	Yes	Yes	Yes
FC1H	BSC1								
FC2H	BSC2								
FC3H	BSC3								
Locations FC4H–FCFH are not mapped.									

Table 4-1. I/O Map for Memory Bank 15 (Continued)

Memory Bank 15							Addressing Mode		
Address	Register	Bit 3	Bit 2	Bit 1	Bit 0	R/W	1-Bit	4-Bit	8-Bit
FD0H	CLMOD	.3	"0"	.1	.0	W	No	Yes	No
Locations FD1H–FD5H are not mapped.									
FD6H	PNE1	.3	.2	.1	.0	W	No	No	Yes
FD7H		"0"	.6	.5	.4				
FD8H	PNE2	.3	.2	.1	.0		No	Yes	No
Locations FD9H is not mapped.									
FDAH	IMOD2	"0"	"0"	"0"	.0	W	No	Yes	No
Locations FDBH is not mapped.									
FDCH	PUMOD1	PUR3	PUR2	PUR1	PUR0	W	No	No	Yes
FDDH		PUR7	PUR6	PUR5	PUR4				
FDEH	PUMOD2	"0"	"0"	PUR9	PUR8		No	Yes	No
Locations FDFH is not mapped.									
FE0H	SMOD	.3	.2	.1	.0	W	.3	No	Yes
FE1H		.7	.6	.5	"0"				
Locations FE2H–FE3H are not mapped.									
FE4H	SBUF					R/W	No	No	Yes
FE5H									
FE6H	PMG1	PM0.3	PM0.2	PM0.1	PM0.0	W	No	No	Yes
FE7H		"0"	PM2.2	PM2.1	PM2.0				
FE8H	PMG2	PM3.3	PM3.2	PM3.1	PM3.0				Yes
FE9H		"0"	"0"	"0"	"0"				
FEAH	PMG3	PM4.3	PM4.2	PM4.1	PM4.0				Yes
FEBH		PM5.3	PM5.2	PM5.1	PM5.0				
FECH	PMG4	PM6.3	PM6.2	PM6.1	PM6.0				Yes
FEDH		PM7.3	PM7.2	PM7.1	PM7.0				
FEEH	PMG5	PM8.3	PM8.2	PM8.1	PM8.0				Yes
FEFH		PM9.3	PM9.2	PM9.1	PM9.0				

Table 4-1. I/O Map for Memory Bank 15 (Concluded)

Memory Bank 15							Addressing Mode		
Address	Register	Bit 3	Bit 2	Bit 1	Bit 0	R/W	1-Bit	4-Bit	8-Bit
FF0H	Port 0	.3	.2	.1	.0	R/W	Yes	Yes	No
FF1H	Port 1	.3	.2	.1	.0	R			
FF2H	Port 2	"0"	.2	.1	.0	R/W			
FF3H	Port 3	.3	.2	.1	.0	R/W			
FF4H	Port 4	.3	.2	.1	.0	R/W			
FF5H	Port 5	.3 / .7	.2 / .6	.1 / .5	.0 / .4				Yes
FF6H	Port 6	.3	.2	.1	.0	R/W			
FF7H	Port 7	.3 / .7	.2 / .6	.1 / .5	.0 / .4				
FF8H	Port 8	.3	.2	.1	.0	R/W			
FF9H	Port 9	.3 / .7	.2 / .6	.1 / .5	.0 / .4				
Locations FFAH–FFFH are not mapped.									

NOTES:

1. Bit 3 in the WMOD register is read only.
2. F9AH.0, F9AH.1 and F9AH.2 are fixed to "0".
3. The carry flag can be read or written by specific bit manipulation instructions only.
4. The "U" means that the bit is undefined.

REGISTER DESCRIPTIONS

In this section, register descriptions are presented in a consistent format to familiarize you with the memory-mapped I/O locations in bank 15 of the RAM. Figure 4-1 describes features of the register description format. Register descriptions are arranged in alphabetical order. Programmers can use this section as a quick-reference source when writing application programs.

Counter registers, buffer registers, and reference registers, as well as the stack pointer and port I/O latches, are not included in these descriptions. More detailed information about how these registers are used is included in Part II of this manual, "Hardware Descriptions," in the context of the corresponding peripheral hardware module descriptions.

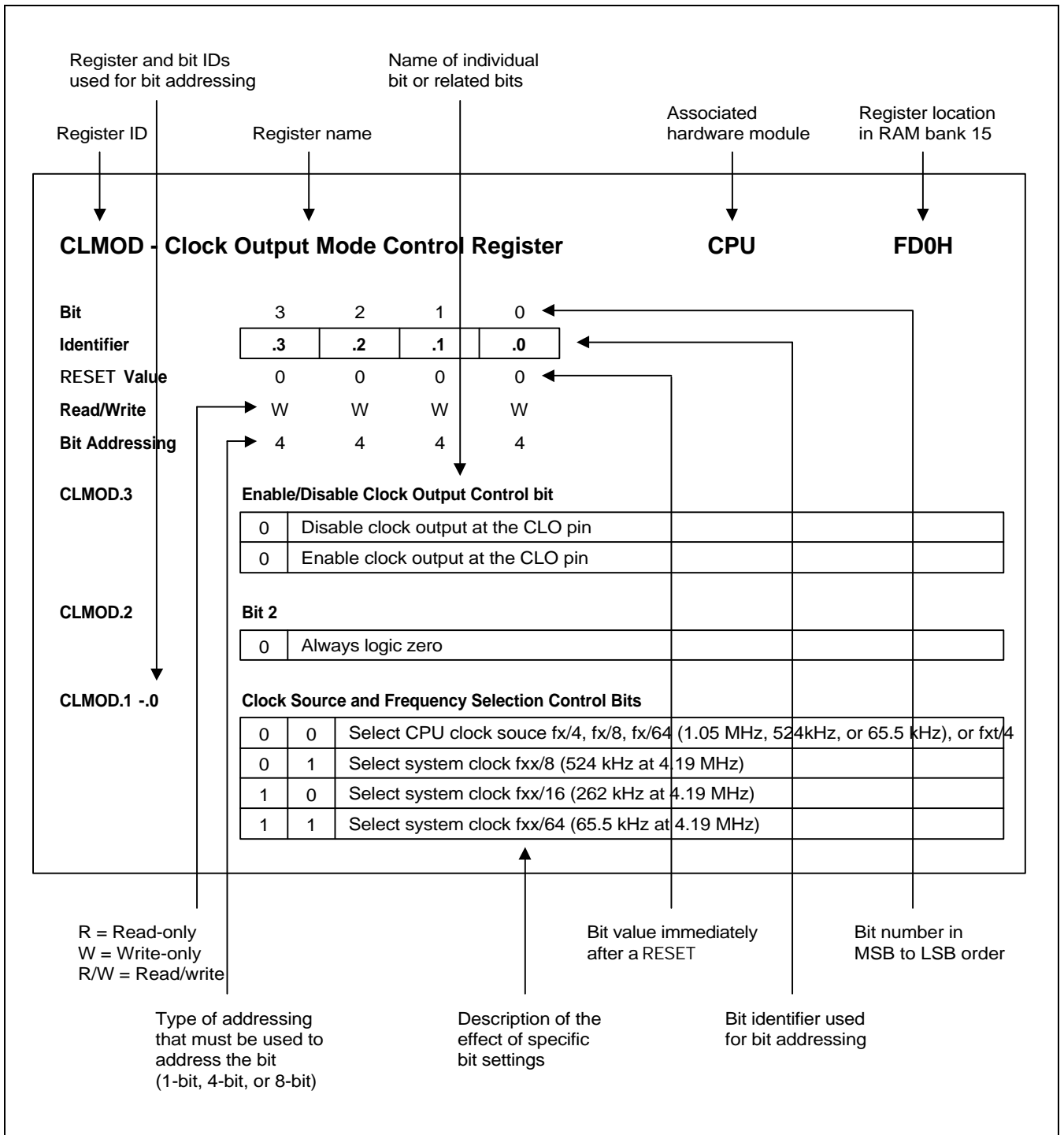


Figure 4-1. Register Description Format

BMOD — Basic Timer Mode Register

BT

F85H

Bit	3	2	1	0
Identifier	.3	.2	.1	.0
RESET Value	0	0	0	0
Read/Write	W	W	W	W
Bit Addressing	1/4	4	4	4

BMOD.3**Basic Timer Restart Bit**

1	Restart basic timer, then clear IRQB flag, BCNT and BMOD.3 to logic zero
---	--

BMOD.2 – .0**Input Clock Frequency and Interrupt Interval Time**

0	0	0	Input clock frequency: Interrupt interval time (wait time)	$f_{xx} / 2^{12}$ (1.02 kHz) $2^{20} / f_{xx}$ (250 ms)
0	1	1	Input clock frequency: Interrupt interval time (wait time)	$f_{xx} / 2^9$ (8.18 kHz) $2^{17} / f_{xx}$ (31.3 ms)
1	0	1	Input clock frequency: Interrupt interval time (wait time)	$f_{xx} / 2$ (32.7 kHz) $2^{15} / f_{xx}$ (7.82 ms)
1	1	1	Input clock frequency: Interrupt interval time (wait time)	$f_{xx} / 2^5$ (131 kHz) $2^{13} / f_{xx}$ (1.95 ms)

NOTES:

- When a RESET occurs, the oscillator stabilization wait time is 31.3 ms ($2^{17}/f_{xx}$) at 4.19 MHz.
- 'fxx' is the system clock rate given a clock frequency of 4.19 MHz.

CLMOD — Clock Output Mode Register

CPU

FD0H

Bit	3	2	1	0
Identifier	.3	"0"	.1	.0
RESET Value	0	0	0	0
Read/Write	W	W	W	W
Bit Addressing	4	4	4	4

CLMOD.3 Enable/Disable Clock Output Control Bit

0	Disable clock output at the CLO pin
1	Enable clock output at the CLO pin

CLMOD.2**Bit 2**

0	Always logic zero
---	-------------------

CLMOD.1 – .0**Clock Source and Frequency Selection Control Bits**

0	0	Select CPU clock source $fx/4$, $fx/8$, $fx/64$ (1.05 MHz, 524 kHz, or 65.5 kHz) or $fxt/4$
0	1	Select system clock $fx/8$ (524 kHz)
1	0	Select system clock $fx/16$ (262 kHz)
1	1	Select system clock $fx/64$ (65.5 kHz)

NOTE: 'fxx' is the system clock, given a clock frequency of 4.19 MHz.

IE0, 1, IRQ0, 1 — INT0, 1 Interrupt Enable/Request Flags**CPU FBEH**

Bit	3	2	1	0
Identifier	IE1	IRQ1	IE0	IRQ0
RESET Value	0	0	0	0
Read/Write	R/W	R/W	R/W	R/W
Bit Addressing	1/4	1/4	1/4	1/4

IE1 INT1 Interrupt Enable Flag

0	Disable interrupt requests at the INT1 pin
1	Enable interrupt requests at the INT1 pin

IRQ1 INT1 Interrupt Request Flag

–	Generate INT1 interrupt (This bit is set and cleared by hardware when rising or falling edge detected at INT1 pin.)
---	---

IE0 INT0 Interrupt Enable Flag

0	Disable interrupt requests at the INT0 pin
1	Enable interrupt requests at the INT0 pin

IRQ0 INT0 Interrupt Request Flag

–	Generate INT0 interrupt (This bit is set and cleared automatically by hardware when rising or falling edge detected at INT0 pin.)
---	---

IE2, IRQ2 — INT2 Interrupt Enable/Request Flags

CPU

FBFH

Bit	3	2	1	0
Identifier	"0"	"0"	IE2	IRQ2
RESET Value	0	0	0	0
Read/Write	R/W	R/W	R/W	R/W
Bit Addressing	1/4	1/4	1/4	1/4

.3 – .2

Bits 3–2

0	Always logic zero
---	-------------------

IE2

INT2 Interrupt Enable Flag

0	Disable INT2 interrupt requests at the INT2 pin
1	Enable INT2 interrupt requests at the INT2 pin

IRQ2

INT2 Interrupt Request Flag

–	Generate INT2 quasi-interrupt (This bit is set and is <u>not</u> cleared automatically by hardware when a rising or falling edge is detected at INT2. Since INT2 is a quasi-interrupt, IRQ2 flag must be cleared by software.)
---	--

IE4, IRQ4 — INT4 Interrupt Enable/Request Flags CPU FB8H

IEB, IRQB — INTB Interrupt Enable/Request Flags CPU FB8H

Bit	3	2	1	0
Identifier	IE4	IRQ4	IEB	IRQB
RESET Value	0	0	0	0
Read/Write	R/W	R/W	R/W	R/W
Bit Addressing	1/4	1/4	1/4	1/4

IE4 INT4 Interrupt Enable Flag

0	Disable interrupt requests at the INT4 pin
1	Enable interrupt requests at the INT4 pin

IRQ4 INT4 Interrupt Request Flag

–	Generate INT4 interrupt (This bit is set and cleared automatically by hardware when rising and falling signal edge detected at INT4 pin.)
---	---

IEB INTB Interrupt Enable Flag

0	Disable INTB interrupt requests
1	Enable INTB interrupt requests

IRQB INTB Interrupt Request Flag

–	Generate INTB interrupt (This bit is set and cleared automatically by hardware when reference interval signal received from basic timer.)
---	---

IES, IRQS — INTS Interrupt Enable/Request Flags

CPU

FBDH

Bit	3	2	1	0
Identifier	"0"	"0"	IES	IRQS
RESET Value	0	0	0	0
Read/Write	R/W	R/W	R/W	R/W
Bit Addressing	1/4	1/4	1/4	1/4

.3 – .2

Bits 3–2

0	Always logic zero
---	-------------------

IES

INTS Interrupt Enable Flag

0	Disable INTS interrupt requests
1	Enable INTS interrupt requests

IRQS

INTS Interrupt Request Flag

–	Generate INTS interrupt (This bit is set and cleared automatically by hardware when serial data transfer completion signal received from serial I/O interface.)
---	---

IETO, IRQT0 — INTT0 Interrupt Enable/Request Flags

CPU

FBCH

Bit	3	2	1	0
Identifier	"0"	"0"	IETO	IRQT0
RESET Value	0	0	0	0
Read/Write	R/W	R/W	R/W	R/W
Bit Addressing	1/4	1/4	1/4	1/4

.3 – .2

Bits 3–2

0	Always logic zero
---	-------------------

IETO

INTT0 Interrupt Enable Flag

0	Disable INTT0 interrupt requests
1	Enable INTT0 interrupt requests

IRQT0

INTT0 Interrupt Request Flag

–	Generate INTT0 interrupt (This bit is set and cleared automatically by hardware when contents of TCNT0 and TREF0 registers match.)
---	--

IET1, IRQT1 — INTT1 Interrupt Enable/Request Flags CPU FBBH

IEK, IRQK — INTK Interrupt Enable/Request Flags CPU FBBH

Bit	3	2	1	0
Identifier	IEK	IRQK	IET1	IRQT1
RESET Value	0	0	0	0
Read/Write	R/W	R/W	R/W	R/W
Bit Addressing	1/4	1/4	1/4	1/4

IEK **INTK Interrupt Enable Flag**

0	Disable interrupt requests at the K0–K7 pins
1	Enable interrupt requests at the K0–K7 pins

IRQK **INTK Interrupt Request Flag**

–	Generate INTK interrupt (This bit is set and cleared automatically by hardware when rising or falling edge detected at K0–K7 pins.)
---	---

IET1 **INTT1 Interrupt Enable Flag**

0	Disable INTT1 interrupt requests
1	Enable INTT1 interrupt requests

IRQT1 **INTT1 Interrupt Request Flag**

–	Generate INTT1 interrupt (This bit is set and cleared automatically by hardware when contents of TCNT1 and TREF1 registers match.)
---	--

IEW, IRQW — INTW Interrupt Enable/Request Flags

CPU

FBAH

Bit	3	2	1	0
Identifier	"0"	"0"	IEW	IRQW
RESET Value	0	0	0	0
Read/Write	R/W	R/W	R/W	R/W
Bit Addressing	1/4	1/4	1/4	1/4

.3 – .2

Bits 3–2

0	Always logic zero
---	-------------------

IEW**INTW Interrupt Enable Flag**

0	Disable INTW interrupt requests
1	Enable INTW interrupt requests

IRQW**INTW Interrupt Request Flag**

–	Generate INTW interrupt (This bit is set when the timer interval is set to 0.5 seconds or 3.91 milliseconds.)
---	---

NOTE: Since INTW is a quasi-interrupt, the IRQW flag must be cleared by software.

IMOD0 — External Interrupt 0 (INT0) Mode Register CPU FB4H

Bit	3	2	1	0
Identifier	"0"	"0"	.1	.0
RESET Value	0	0	0	0
Read/Write	W	W	W	W
Bit Addressing	4	4	4	4

IMOD0.3 – .2**Bits 3– 2**

0	Always logic zero
---	-------------------

IMOD0.1 – .0**External Interrupt Mode Control Bits**

0	0	Interrupt request is triggered by a rising signal edge
0	1	Interrupt request is triggered by a falling signal edge
1	0	Interrupt request is triggered by both rising and falling signal edges
1	1	Interrupt request flag (IRQ0) cannot be set to logic one

IMOD1 — External Interrupt 1 (INT1) Mode Register CPU FB5H

Bit	3	2	1	0
Identifier	"0"	"0"	"0"	IMOD1.0
RESET Value	0	0	0	0
Read/Write	W	W	W	W
Bit Addressing	4	4	4	4

IMOD1.3 – .1**Bits 3–1**

0	Always logic zero
---	-------------------

IMOD1.0**External Interrupt 1 Edge Detection Control Bit**

0	Rising edge detection
1	Falling edge detection

IMOD2 — External Interrupt 2 (INT2) Mode Register

CPU

FDAH

Bit	3	2	1	0
Identifier	"0"	"0"	"0"	IMOD2.0
RESET Value	0	0	0	0
Read/Write	W	W	W	W
Bit Addressing	4	4	4	4

IMOD2.3 – .1**Bits 3–1**

0	Always logic zero
---	-------------------

IMOD2.0**External Interrupt 2 Edge Detection Selection Bit**

0	Interrupt request at INT2 pin triggered by rising edge
1	Interrupt request at INT2 pin triggered by falling edge

IMODK — External Key Interrupt Mode Register

CPU

FB6H

Bit	3	2	1	0
Identifier	"0"	IMODK.2	IMODK.1	IMODK.0
RESET Value	0	0	0	0
Read/Write	W	W	W	W
Bit Addressing	4	4	4	4

IMODK.3**Bit 3**

0	Always logic zero
---	-------------------

IMODK.2**External Key Interrupt Edge Detection Selection Bit**

0	Falling edge detection
1	Rising edge detection

IMODK.1 – .0**External Key Interrupt Mode Control Bits**

0	0	Disable key interrupt
0	1	Enable edge detection at K0–K3 pins
1	0	Enable edge detection at K4–K7 pins
1	1	Enable edge detection at K0–K7 pins

NOTES:

1. To generate a key interrupt, all of the selected pins must be configured to input mode. If any one of the selected pins is configured to output mode, only falling edge can be detected.
2. To generate a key interrupt, all of the selected pins must be at input high state for falling edge detection, or all of the selected pins must be at input low state for rising edge detection. If any one of them or more is at input low state or input high state, the interrupt may be not occurred at falling edge or rising edge.
3. To generate a key interrupt, first, configure pull-up resistors or external pull-down resistors. And then, select edge detection and pins by setting IMODK register.

IPR — Interrupt Priority Register

CPU

FB2H

Bit	3	2	1	0
Identifier	IME	.2	.1	.0
RESET Value	0	0	0	0
Read/Write	W	W	W	W
Bit Addressing	1/4	4	4	4

IME**Interrupt Master Enable Bit**

0	Disable all interrupt processing
1	Enable processing for all interrupt service requests

IPR.2 – .0**Interrupt Priority Assignment Bits**

0	0	0	Process all interrupt requests at low priority
0	0	1	Only INTB and INT4 interrupts are at high priority
0	1	0	Only INTO interrupt is at high priority
0	1	1	Only INT1 interrupt is at high priority
1	0	0	Only INTS interrupt is at high priority
1	0	1	Only INTT0 interrupt is at high priority
1	1	0	Only INTT1 interrupt is at high priority
1	1	1	Only INTK interrupt is at high priority

LCNST — LCD Contrast Control Register

LCD

F8BH, F8AH

Bit	7	6	5	4	3	2	1	0
Identifier	.7	"0"	"0"	"0"	.3	.2	.1	.0
RESET Value	0	0	0	0	0	0	0	0
Read/Write	W	W	W	W	W	W	W	W
Bit Addressing	8	8	8	8	8	8	8	8

LCNST.7 Enable/Disable LCD Contrast Control Bit

0	Disable LCD contrast control
1	Enable LCD contrast control

LCNST.6–4 Bits 6–4

0	Always logic zero
---	-------------------

LCNST.3–0 LCD Contrast Level Control Bits (16 steps)

0	0	0	0	1/16 step (The dimmest level)
0	0	0	1	2/16 step (The dimmest level)
0	0	1	0	3/16 step (The dimmest level)
•	•	•	•	•
•	•	•	•	•
•	•	•	•	•
1	1	1	1	16/16 step (The brightest level)

NOTE: $V_{LCD} = V_{DD} \times (n+17)/32$, where $n = 0-15$.

LCON — LCD Output Control Register

LCD

F8EH

Bit	3	2	1	0
Identifier	.3	.2	.1	.0
RESET Value	0	0	0	0
Read/Write	W	W	W	W
Bit Addressing	4	4	4	4

LCON.3

LCD Duty and Selection Bits

0	Select duty by means of LMOD.2 - .0
1	Select 1/12 duty (COM0 – COM11 is selected)

NOTE: When 1/12 duty is selected, ports 4 should be configured as output mode, and port 5 can be used for Normal I/O port.

LCON.2

LCD Clock Output Disable/Enable Bit

0	Disable LCDCK and LCDSY signal outputs.
1	Enable LCDCK and LCDSY signal outputs.

LCON.1 – .0

LCD Output Control Bit

0	0	LCD display off; cut off current to dividing resistor
0	1	LCD display on; application with internal contrast control
1	0	LCD display on; application with external contrast control
1	1	LCD display on*

NOTES:

1. If the external variable resistor for contrast control connected to VLC5, you can select only one contrast control method(External or Internal contrast control).
2. When 1/12 duty is selected by LCON.3, the LCD Clock(LCDCK) Frequency is following.

(LMOD.4 – .3)

LCD Clock (LCDCK) Frequency Selection Bits

0	0	When 1/12 duty: $f_{xx} / 2^6$ (512 Hz)
0	1	When 1/12 duty: $f_{xx} / 2^5$ (1024 Hz)
1	0	When 1/12 duty: $f_{xx} / 2^4$ (2048 Hz)
1	1	When 1/12 duty: $f_{xx} / 2^3$ (4096 Hz)

LMOD — LCD Mode Register

LCD

F8DH, F8CH

Bit	3	2	1	0	3	2	1	0
Identifier	.7	.6	.5	.4	.3	.2	.1	.0
RESET Value	0	0	0	0	0	0	0	0
Read/Write	W	W	W	W	W	W	W	W
Bit Addressing	8	8	8	8	8	8	8	8

LMOD.7 – .5**LCD Output Segment and Pin Configuration Bits**

0	0	0	Segments 40–43, 44–47, 48–51 and 52–55
0	0	1	Segments 40–43, 44–47 and 48–51; normal I/O at port 6
0	1	0	Segments 40–43 and 44–47; normal I/O at port 6 and port 7
0	1	1	Segments 40–43; normal I/O at ports 6, 7 and 8
1	0	0	Normal I/O at ports 6, 7, 8 and 9

NOTE: Segment pins that also can be used for normal I/O should be configured to output mode when the SEG function is used.

LMOD.4 – .3**LCD Clock (LCDCK) Frequency Selection Bits**

0	0	When 1/8 duty: $f_{xx}/2^7$ (256 Hz); when 1/12,1/16 duty: $f_{xx}/2^6$ (512 Hz)
0	1	When 1/8 duty: $f_{xx}/2^6$ (512 Hz); when 1/12,1/16 duty: $f_{xx}/2^5$ (1024 Hz)
1	0	When 1/8 duty: $f_{xx}/2^5$ (1024 Hz); when 1/12,1/16 duty: $f_{xx}/2^4$ (2048 Hz)
1	1	When 1/8 duty: $f_{xx}/2^4$ (2048 Hz); when 1/12,1/16 duty: $f_{xx}/2^3$ (4096 Hz)

NOTE: LCDCK is supplied only when the watch timer operates. To use the LCD controller, bit 2 in the watch mode register WMOD should be set to 1.

LMOD.2**LCD Duty and Selection Bits**

0	1/8 duty (COM0–COM7 select)
1	1/16 duty (COM0–COM15 select)

NOTE: When 1/16 duty is selected, ports 4 and 5 should be configured as output mode; when 1/8 duty is selected, ports 4 and 5 can be used as normal I/O ports.

LMOD.1 – .0**LCD Display Mode Selection Bits**

0	0	All LCD dots off
0	1	All LCD dots on
1	1	Normal display

PCON — Power Control Register

CPU

FB3H

Bit	3	2	1	0
Identifier	.3	.2	.1	.0
RESET Value	0	0	0	0
Read/Write	W	W	W	W
Bit Addressing	4	4	4	4

PCON.3 – .2**CPU Operating Mode Control Bits**

0	0	Enable normal CPU operating mode
0	1	Initiate idle power-down mode
1	0	Initiate stop power-down mode

PCON.1 – .0**CPU Clock Frequency Selection Bits**

0	0	If SCMOD.0 = "0", fx/64; if SCMOD.0 = "1", fxt/4
1	0	If SCMOD.0 = "0", fx/8; if SCMOD.0 = "1", fxt/4
1	1	If SCMOD.0 = "0", fx/4; if SCMOD.0 = "1", fxt/4

NOTE: 'fx' is the main system clock; 'fxt' is the subsystem clock.

PMG1 — Port I/O Mode Register 1 (Group 1: Ports 0, 2) I/O FE7H, FE6H

Bit	7	6	5	4	3	2	1	0
Identifier	"0"	PM2.2	PM2.1	PM2.0	PM0.3	PM0.2	PM0.1	PM0.0
RESET Value	0	0	0	0	0	0	0	0
Read/Write	W	W	W	W	W	W	W	W
Bit Addressing	8	8	8	8	8	8	8	8

.7 **Bit 7**

0	Always logic zero
---	-------------------

PM2.2 P2.2 I/O Mode Selection Flag

0	Set P2.2 to input mode
1	Set P2.2 to output mode

PM2.1 P2.1 I/O Mode Selection Flag

0	Set P2.1 to input mode
1	Set P2.1 to output mode

PM2.0 P2.0 I/O Mode Selection Flag

0	Set P2.0 to input mode
1	Set P2.0 to output mode

PM0.3 P0.3 I/O Mode Selection Flag

0	Set P0.3 to input mode
1	Set P0.3 to output mode

PM0.2 P0.2 I/O Mode Selection Flag

0	Set P0.2 to input mode
1	Set P0.2 to output mode

PM0.1 P0.1 I/O Mode Selection Flag

0	Set P0.1 to input mode
1	Set P0.1 to output mode

PM0.0 P0.0 I/O Mode Selection Flag

0	Set P0.0 to input mode
1	Set P0.0 to output mode

PMG2 — Port I/O Mode Register 2 (Group 2: Port 3)

I/O

FE9H, FE8H

Bit	7	6	5	4	3	2	1	0
Identifier	"0"	"0"	"0"	"0"	PM3.3	PM3.2	PM3.1	PM3.0
RESET Value	0	0	0	0	0	0	0	0
Read/Write	W	W	W	W	W	W	W	W
Bit Addressing	8	8	8	8	8	8	8	8

.7 – .4

Bits 7 – 4

0	Always logic zero
---	-------------------

PM3.3

P3.3 I/O Mode Selection Flag

0	Set P3.3 to input mode
1	Set P3.3 to output mode

PM3.2

P3.2 I/O Mode Selection Flag

0	Set P3.2 to input mode
1	Set P3.2 to output mode

PM3.1

P3.1 I/O Mode Selection Flag

0	Set P3.1 to input mode
1	Set P3.1 to output mode

PM3.0

P3.0 I/O Mode Selection Flag

0	Set P3.0 to input mode
1	Set P3.0 to output mode

PMG3 — Port I/O Mode Register 3 (Group 3: Ports 4, 5) I/O FEBH, FEAH

Bit	7	6	5	4	3	2	1	0
Identifier	PM5.3	PM5.2	PM5.1	PM5.0	PM4.3	PM4.2	PM4.1	PM4.0
RESET Value	0	0	0	0	0	0	0	0
Read/Write	W	W	W	W	W	W	W	W
Bit Addressing	8	8	8	8	8	8	8	8

PM5.3 P5.3 I/O Mode Selection Flag

0	Set P5.3 to input mode
1	Set P5.3 to output mode

PM5.2 P5.2 I/O Mode Selection Flag

0	Set P5.2 to input mode
1	Set P5.2 to output mode

PM5.1 P5.1 I/O Mode Selection Flag

0	Set P5.1 to input mode
1	Set P5.1 to output mode

PM5.0 P5.0 I/O Mode Selection Flag

0	Set P5.0 to input mode
1	Set P5.0 to output mode

PM4.3 P4.3 I/O Mode Selection Flag

0	Set P4.3 to input mode
1	Set P4.3 to output mode

PM4.2 P4.2 I/O Mode Selection Flag

0	Set P4.2 to input mode
1	Set P4.2 to output mode

PM4.1 P4.1 I/O Mode Selection Flag

0	Set P4.1 to input mode
1	Set P4.1 to output mode

PM4.0 P4.0 I/O Mode Selection Flag

0	Set P4.0 to input mode
1	Set P4.0 to output mode

PMG4 — Port I/O Mode Register 4 (Group 4: Ports 6, 7) I/O FEDH, FECH

Bit	7	6	5	4	3	2	1	0
Identifier	PM7.3	PM7.2	PM7.1	PM7.0	PM6.3	PM6.2	PM6.1	PM6.0
RESET Value	0	0	0	0	0	0	0	0
Read/Write	W	W	W	W	W	W	W	W
Bit Addressing	8	8	8	8	8	8	8	8

PM7.3 P7.3 I/O Mode Selection Flag

0	Set P7.3 to input mode
1	Set P7.3 to output mode

PM7.2 P7.2 I/O Mode Selection Flag

0	Set P7.2 to input mode
1	Set P7.2 to output mode

PM7.1 P7.1 I/O Mode Selection Flag

0	Set P7.1 to input mode
1	Set P7.1 to output mode

PM7.0 P7.0 I/O Mode Selection Flag

0	Set P7.0 to input mode
1	Set P7.0 to output mode

PM6.3 P6.3 I/O Mode Selection Flag

0	Set P6.3 to input mode
1	Set P6.3 to output mode

PM6.2 P6.2 I/O Mode Selection Flag

0	Set P6.2 to input mode
1	Set P6.2 to output mode

PM6.1 P6.1 I/O Mode Selection Flag

0	Set P6.1 to input mode
1	Set P6.1 to output mode

PM6.0 P6.0 I/O Mode Selection Flag

0	Set P6.0 to input mode
1	Set P6.0 to output mode

PMG5 — Port I/O Mode Register 5 (Group 5: Ports 8, 9) I/O FEFH, FEEH

Bit	7	6	5	4	3	2	1	0
Identifier	PM9.3	PM9.2	PM9.1	PM9.0	PM8.3	PM8.2	PM8.1	PM8.0
RESET Value	0	0	0	0	0	0	0	0
Read/Write	W	W	W	W	W	W	W	W
Bit Addressing	8	8	8	8	8	8	8	8

PM9.3 P9.3 I/O Mode Selection Flag

0	Set P9.3 to input mode
1	Set P9.3 to output mode

PM9.2 P9.2 I/O Mode Selection Flag

0	Set P9.2 to input mode
1	Set P9.2 to output mode

PM9.1 P9.1 I/O Mode Selection Flag

0	Set P9.1 to input mode
1	Set P9.1 to output mode

PM9.0 P9.0 I/O Mode Selection Flag

0	Set P9.0 to input mode
1	Set P9.0 to output mode

PM8.3 P8.3 I/O Mode Selection Flag

0	Set P8.3 to input mode
1	Set P8.3 to output mode

PM8.2 P8.2 I/O Mode Selection Flag

0	Set P8.2 to input mode
1	Set P8.2 to output mode

PM8.1 P8.1 I/O Mode Selection Flag

0	Set P8.1 to input mode
1	Set P8.1 to output mode

PM8.0 P8.0 I/O Mode Selection Flag

0	Set P8.0 to input mode
1	Set P8.0 to output mode

PNE1 — N-Channel Open-Drain Mode Register 1

I/O

FD7H, FD6H

Bit	7	6	5	4	3	2	1	0
Identifier	"0"	PNE1.6	PNE1.5	PNE1.4	PNE1.3	PNE1.2	PNE1.1	PNE1.0
RESET Value	0	0	0	0	0	0	0	0
Read/Write	W	W	W	W	W	W	W	W
Bit Addressing	8	8	8	8	8	8	8	8

.7

Bit 7

0	Always logic 0
---	----------------

PNE1.6

P2.2 N-Channel Open-Drain Configurable Bit

0	Configure P2.2 as a push-pull
1	Configure P2.2 as a n-channel open-drain

PNE1.5

P2.1 N-Channel Open-Drain Configurable Bit

0	Configure P2.1 as a push-pull
1	Configure P2.1 as a n-channel open-drain

PNE1.4

P2.0 N-Channel Open-Drain Configurable Bit

0	Configure P2.0 as a push-pull
1	Configure P2.0 as a n-channel open-drain

PNE1.3

P0.3 N-Channel Open-Drain Configurable Bit

0	Configure P0.3 as a push-pull
1	Configure P0.3 as a n-channel open-drain

PNE1.2

P0.2 N-Channel Open-Drain Configurable Bit

0	Configure P0.2 as a push-pull
1	Configure P0.2 as a n-channel open-drain

PNE1.1

P0.1 N-Channel Open-Drain Configurable Bit

0	Configure P0.1 as a push-pull
1	Configure P0.1 as a n-channel open-drain

PNE1.0

P0.0 N-Channel Open-Drain Configurable Bit

0	Configure P0.0 as a push-pull
1	Configure P0.0 as a n-channel open-drain

PNE2 — N-Channel Open-Drain Mode Register 2

I/O

FD8H

Bit	3	2	1	0
Identifier	PNE2.3	PNE2.2	PNE2.1	PNE2.0
RESET Value	0	0	0	0
Read/Write	W	W	W	W
Bit Addressing	4	4	4	4

PNE2.3 P3.3 N-Channel Open-Drain Configurable Bit

0	Configure P3.3 as a push-pull
1	Configure P3.3 as a n-channel open-drain

PNE2.2 P3.2 N-Channel Open-Drain Configurable Bit

0	Configure P3.2 as a push-pull
1	Configure P3.2 as a n-channel open-drain

PNE2.1 P3.1 N-Channel Open-Drain Configurable Bit

0	Configure P3.1 as a push-pull
1	Configure P3.1 as a n-channel open-drain

PNE2.0 P3.0 N-Channel Open-Drain Configurable Bit

0	Configure P3.0 as a push-pull
1	Configure P3.0 as a n-channel open-drain

PSW — Program Status Word

CPU

FB1H, FB0H

Bit	7	6	5	4	3	2	1	0
Identifier	C	SC2	SC1	SC0	IS1	IS0	EMB	ERB
RESET Value	(1)	0	0	0	0	0	0	0
Read/Write	R/W	R	R	R	R/W	R/W	R/W	R/W
Bit Addressing	(2)	8	8	8	1/4/8	1/4/8	1/4/8	1/4/8

C Carry Flag

0	No overflow or borrow condition exists
1	An overflow or borrow condition does exist

SC2 – SC0 Skip Condition Flags

0	No skip condition exists; no direct manipulation of these bits is allowed
1	A skip condition exists; no direct manipulation of these bits is allowed

IS1, IS0 Interrupt Status Flags

0	0	Service all interrupt requests
0	1	Service only the high-priority interrupt(s) as determined in the interrupt priority register (IPR)
1	0	Do not service any more interrupt requests
1	1	Undefined

EMB Enable Data Memory Bank Flag

0	Restrict program access to data memory to bank 15 (F80H–FFFH) and to the locations 000H–07FH in the bank 0 only
1	Enable full access to data memory banks 0, 1, 2, 3, 4 and 15

ERB Enable Register Bank Flag

0	Select register bank 0 as working register area
1	Select register banks 0, 1, 2, or 3 as working register area in accordance with the select register bank (SRB) instruction operand

NOTES:

1. The value of the carry flag after a RESET occurs during normal operation is undefined. If a RESET occurs during power-down mode (IDLE or STOP), the current value of the carry flag is retained.
2. The carry flag can only be addressed by a specific set of 1-bit manipulation instructions. See Section 2 for detailed information.

PUMOD1 — Pull-up Resistor Mode Register 1 I/O FDDH, FDCH

Bit	7	6	5	4	3	2	1	0
Identifier	PUR7	PUR6	PUR5	PUR4	PUR3	PUR2	PUR1	PUR0
RESET Value	0	0	0	0	0	0	0	0
Read/Write	W	W	W	W	W	W	W	W
Bit Addressing	8	8	8	8	8	8	8	8

PUR7 **Connect/Disconnect Port 7 Pull-up Resistor Control Bit**

0	Disconnect port 7 pull-up resistor
1	Connect port 7 pull-up resistor

PUR6 **Connect/Disconnect Port 6 Pull-up Resistor Control Bit**

0	Disconnect port 6 pull-up resistor
1	Connect port 6 pull-up resistor

PUR5 **Connect/Disconnect Port 5 Pull-up Resistor Control Bit**

0	Disconnect port 5 pull-up resistor
1	Connect port 5 pull-up resistor

PUR4 **Connect/Disconnect Port 4 Pull-up Resistor Control Bit**

0	Disconnect port 4 pull-up resistor
1	Connect port 4 pull-up resistor

PUR3 **Connect/Disconnect Port 3 Pull-up Resistor Control Bit**

0	Disconnect port 3 pull-up resistor
1	Connect port 3 pull-up resistor

PUR2 **Connect/Disconnect Port 2 Pull-up Resistor Control Bit**

0	Disconnect port 2 pull-up resistor
1	Connect port 2 pull-up resistor

PUR1 **Connect/Disconnect Port 1 Pull-up Resistor Control Bit**

0	Disconnect port 1 pull-up resistor
1	Connect port 1 pull-up resistor

PUR0 **Connect/Disconnect Port 0 Pull-up Resistor Control Bit**

0	Disconnect port 0 pull-up resistor
1	Connect port 0 pull-up resistor

PUMOD2 — Pull-up Resistor Mode Register 2

I/O

FDEH

Bit	3	2	1	0
Identifier	"0"	"0"	PUR9	PUR8
RESET Value	0	0	0	0
Read/Write	W	W	W	W
Bit Addressing	4	4	4	4

.3 – .2

Bits 3 – 2

0	Always cleared to logic zero
---	------------------------------

PUR9

Connect/Disconnect Port 9 Pull-up Resistor Control Bit

0	Disconnect port 9 pull-up resistor
1	Connect port 9 pull-up resistor

PUR8

Connect/Disconnect Port 8 Pull-up Resistor Control Bit

0	Disconnect port 8 pull-up resistor
1	Connect port 8 pull-up resistor

SCMOD — System Clock Mode Control Register

CPU

FB7H

Bit	3	2	1	0
Identifier	.3	.2	"0"	.0
RESET Value	0	0	0	0
Read/Write	W	W	W	W
Bit Addressing	1	1	1	1

SCMOD.3**Bit 3**

0	Enable main system clock
1	Disable main system clock

SCMOD.2**Bit 2**

0	Enable sub system clock
1	Disable sub system clock

SCMOD.1**Bit 1**

0	Always logic zero
---	-------------------

SCMOD.0**Bit 0**

0	Select main system clock
1	Select sub system clock

NOTES:

1. Sub-oscillation goes into stop mode only by SCMOD.2. PCON which revokes stop mode cannot stop the sub-oscillation.
2. You can use SCMOD.2 as follows (ex; after data bank was used, a few minutes have passed):
Main operation → sub-operation → sub-idle (LCD on, after a few minutes later without any external input) → sub-operation → main operation → SCMOD.2 = 1 → main stop mode (LCD off).
3. SCMOD bits 3–0 cannot be modified simultaneously by a 4-bit instruction; they can only be modified by separate 1-bit instructions.

SMOD — Serial I/O Mode Register

SIO

FE1H, FE0H

Bit	7	6	5	4	3	2	1	0
Identifier	.7	.6	.5	"0"	.3	.2	.1	.0
RESET Value	0	0	0	0	0	0	0	0
Read/Write	W	W	W	W	W	W	W	W
Bit Addressing	8	8	8	8	1/8	8	8	8

SMOD.7 – .5**Serial I/O Clock Selection and SBUF R/W Status Control Bits**

0	0	0	Use an external clock at the SCK pin; Enable SBUF when SIO operation is halted or when SCK goes high
0	0	1	Use the TOL0 clock from timer/counter 0; Enable SBUF when SIO operation is halted or when SCK goes high
0	1	x	Use the selected CPU clock (fxx/4, 8, or 64; 'fxx' is the system clock) then, enable SBUF read/write operation. 'x' means 'don't care.'
1	0	0	4.09 kHz clock (fxx/2 ¹⁰)
1	1	1	262 kHz clock (fxx/2 ⁴); Note: You cannot select a fxx/2 ⁴ clock frequency if you have selected a CPU clock of fxx/64

NOTE: All kHz frequency ratings assume a system clock of 4.19 MHz.**SMOD.4****Bit 4**

0	Always logic zero
---	-------------------

SMOD.3**Initiate Serial I/O Operation Bit**

1	Clear IRQS flag and 3-bit clock counter to logic zero; then initiate serial transmission. When SIO transmission starts, this bit is cleared by hardware to logic zero
---	---

SMOD.2**Enable/Disable SIO Data Shifter and Clock Counter Bit**

0	Disable the data shifter and clock counter; the contents of IRQS flag is retained when serial transmission is completed
1	Enable the data shifter and clock counter; The IRQS flag is set to logic one when serial transmission is completed

SMOD.1**Serial I/O Transmission Mode Selection Bit**

0	Receive-only mode
1	Transmit-and-receive mode

SMOD.0**LSB/MSB Transmission Mode Selection Bit**

0	Transmit the most significant bit (MSB) first
1	Transmit the least significant bit (LSB) first

TMOD0 — Timer/Counter 0 Mode Register

T/C0

F91H, F90H

Bit	7	6	5	4	3	2	1	0
Identifier	"0"	.6	.5	.4	.3	.2	"0"	"0"
RESET Value	0	0	0	0	0	0	0	0
Read/Write	W	W	W	W	W	W	W	W
Bit Addressing	8	8	8	8	1/8	8	8	8

TMOD0.7**Bit 7**

0	Always logic zero
---	-------------------

TMOD0.6 – .4**Timer/Counter 0 Input Clock Selection Bits**

0	0	0	External clock input at TCL0 pin on rising edge
0	0	1	External clock input at TCL0 pin on falling edge
1	0	0	$f_{xx}/2^{10}$ (4.09 kHz)
1	0	1	$f_{xx}/2^6$ (65.5 kHz)
1	1	0	$f_{xx}/2^4$ (262 kHz)
1	1	1	f_{xx} (4.19 MHz)

NOTE: "fxx" is selected system clock of 4.19 MHz**TMOD0.3****Clear Counter and Resume Counting Control Bit**

1	Clear TCNT0, IRQT0, and TOL0 and resume counting immediately (This bit is cleared automatically when counting starts.)
---	--

TMOD0.2**Enable/Disable Timer/Counter 0 Bit**

0	Disable timer/counter 0; retain TCNT0 contents
1	Enable timer/counter 0

TMOD0.1**Bit 1**

0	Always logic zero
---	-------------------

TMOD0.0**Bit 0**

0	Always logic zero
---	-------------------

TMOD1 — Timer/Counter 1 Mode Register

T/C

FA1H, FA0H

Bit	3	2	1	0	3	2	1	0
Identifier	"0"	.6	.5	.4	.3	.2	"0"	"0"
RESET Value	0	0	0	0	0	0	0	0
Read/Write	W	W	W	W	W	W	W	W
Bit Addressing	8	8	8	8	1/8	8	8	8

TMOD1.7**Bit 7**

0	Always logic zero
---	-------------------

TMOD1.6 – .4**Timer/Counter 1 Input Clock Selection Bit**

0	0	0	External clock input at TCL1 pin on rising edge
0	0	1	External clock input at TCL1 pin on falling edge
1	0	0	$f_{xx}/2^{10}$ (4.09 kHz)
1	0	1	$f_{xx}/2^8$ (16.4 kHz)
1	1	0	$f_{xx}/2^6$ (65.5 kHz)
1	1	1	$f_{xx}/2^4$ (262 kHz)

NOTE: "fxx" is selected system clock of 4.19 MHz**TMOD1.3****Clear Counter and Resume Counting Control Bit**

1	Clear TCNT1, IRQT1, and TOL1 and resume counting immediately (This bit is cleared automatically when counting starts.)
---	--

TMOD1.2**Enable/Disable Timer/Counter 1 Bit**

0	Disable timer/counter 1; retain TCNT1 contents
1	Enable timer/counter 1

TMOD1.1**Bit 1**

0	Always logic zero
---	-------------------

TMOD1.0**Bit 0**

0	Always logic zero
---	-------------------

TOE — Timer Output Enable Flag Register

T/C

F92H

Bit	3	2	1	0
Identifier	TOE1	TOE0	"U"	"0"
RESET Value	0	0	U	0
Read/Write	R/W	R/W	R/W	R/W
Bit Addressing	1/4	1/4	1/4	1/4

TOE1 **Timer/Counter 1 Output Enable Flag**

0	Disable timer/counter 1 clock output at the TCLO1 pin
1	Enable timer/counter 1 clock output at the TCLO1 pin

TOE0 **Timer/Counter 0 Output Enable Flag**

0	Disable timer/counter 0 clock output at the TCLO0 pin
1	Enable timer/counter 0 clock output at the TCLO0 pin

.1 **Bits 1**

U	This bit is undefined
---	-----------------------

.0 **Bits 0**

0	Always logic zero
---	-------------------

WDFLAG — Watch-Dog Timer's Counter Clear Flag

WT

F9AH.3

Bit	3	2	1	0
Identifier	WDTCF	"0"	"0"	"0"
RESET Value	0	0	0	0
Read/Write	W	W	W	W
Bit Addressing	1/4	1/4	1/4	1/4

WDTCF**Watch-dog Timer's Counter Clear Bit**

0	—
1	Clear the WDT's counter to zero and restart the WDT's counter

WDFLAG.2 – .0**Bit2 – 0**

0	Always logic zero
---	-------------------

WDMOD — Watch-Dog Timer Mode Control Register **WT** **F99H, F98H**

Bit	3	2	1	0	3	2	1	0
Identifier	.7	.6	.5	.4	.3	.2	.1	.0
RESET Value	1	0	1	0	0	1	0	1
Read/Write	W	W	W	W	W	W	W	W
Bit Addressing	8	8	8	8	8	8	8	8

WDMOD.7 – .0**Watch-Dog Timer Enable/Disable Control**

0	1	0	1	1	0	1	0	Disable watch-dog timer function
Other Values								Enable watch-dog timer function

WMOD — Watch Timer Mode Register**WT****F89H, F88H**

Bit	7	6	5	4	3	2	1	0
Identifier	.7	"0"	.5	.4	.3	.2	.1	.0
RESET Value	0	0	0	0	(note)	0	0	0
Read/Write	W	W	W	W	R	W	W	W
Bit Addressing	8	8	8	8	1	8	8	8

WMOD.7**Enable/Disable Buzzer Output Bit**

0	Disable buzzer (BUZ) signal output at the BUZ pin
1	Enable buzzer (BUZ) signal output at the BUZ pin

WMOD.6**Bit 6**

0	Always logic zero
---	-------------------

WMOD.5 – .4**Output Buzzer Frequency Selection Bits**

0	0	2 kHz buzzer (BUZ) signal output
0	1	4 kHz buzzer (BUZ) signal output
1	0	8 kHz buzzer (BUZ) signal output
1	1	16 kHz buzzer (BUZ) signal output

WMOD.3**XT_{IN} Input Level Control Bit**

0	Input level to XT _{IN} pin is low; 1-bit read-only addressable for tests
1	Input level to XT _{IN} pin is high; 1-bit read-only addressable for tests

WMOD.2**Enable/Disable Watch Timer Bit**

0	Disable watch timer and clear frequency dividing circuits
1	Enable watch timer

WMOD.1**Watch Timer Speed Control Bit**

0	Normal speed; set IRQW to 0.5 seconds
1	High-speed operation; set IRQW to 3.91 ms

WMOD.0**Watch Timer Clock Selection Bit**

0	Select main system clock (fx)/128 as the watch timer clock
1	Select a subsystem clock as the watch timer clock

NOTE: RESET sets WMOD.3 to the current input level of the subsystem clock, XT_{IN}. If the input level is high, WMOD.3 is set to logic one; if low, WMOD.3 is cleared to zero along with all the other bits in the WMOD register.

6

OSCILLATOR CIRCUITS

OVERVIEW

The S3C72P9 microcontroller have two oscillator circuits: a main system clock circuit, and a subsystem clock circuit. The CPU and peripheral hardware operate on the system clock frequency supplied through these circuits. Specifically, a clock pulse is required by the following peripheral modules:

- LCD controller
- Basic timer
- Timer/counters 0 and 1
- Watch timer
- Serial I/O interface
- Clock output circuit

CPU Clock Notation

In this document, the following notation is used for descriptions of the CPU clock:

- fx Main system clock
- fxt Subsystem clock
- fxx Selected system clock

Clock Control Registers

When the system clock mode register, SCMOD, and the power control register, PCON, are both cleared to zero after RESET, the normal CPU operating mode is enabled, a main system clock is selected as fx/64, and main system clock oscillation is initiated.

The PCON is used to select normal CPU operating mode or one of two power down mode-stop or idle. Bits 3 and 2 of the PCON register can be manipulated by STOP or IDLE instruction to engage stop or idle power down mode.

The SCMOD, lets you select the main system clock (fx) or a subsystem clock (fxt) as the CPU clock and start (or stop) main/sub system clock oscillation. The resulting clock source, either main system clock or subsystem clock, is referred to the selected system clock (fxx).

The main system clock is selected and oscillation started when all SCMOD bits are cleared to "0". By setting SCMOD.3, SCMOD.2 and SCMOD.0 to different values, you can select a subsystem clock source and start or stop main/sub system clock oscillation. To stop main system clock oscillation, you must use the STOP instruction (assuming the main system clock is selected) or manipulate SCMOD.3 to (assuming the sub system clock is selected).

The main system clock frequencies can be divided by 4, 8, or 64 and a subsystem clock frequencies can only be divided by 4. By manipulating PCON bits 1 and 0, you select one of the following frequencies as the CPU clock.

fx/4, fxt/4, fx/8, fx/64

Using a Subsystem Clock

If a subsystem clock is being used as the selected system clock, the idle power-down mode can be initiated by executing an IDLE instruction.

The watch timer, buzzer and LCD display operate normally with a subsystem clock source, since they operate at very low speed (as low as 122 μ s at 32.768 kHz) and with very low power consumption.

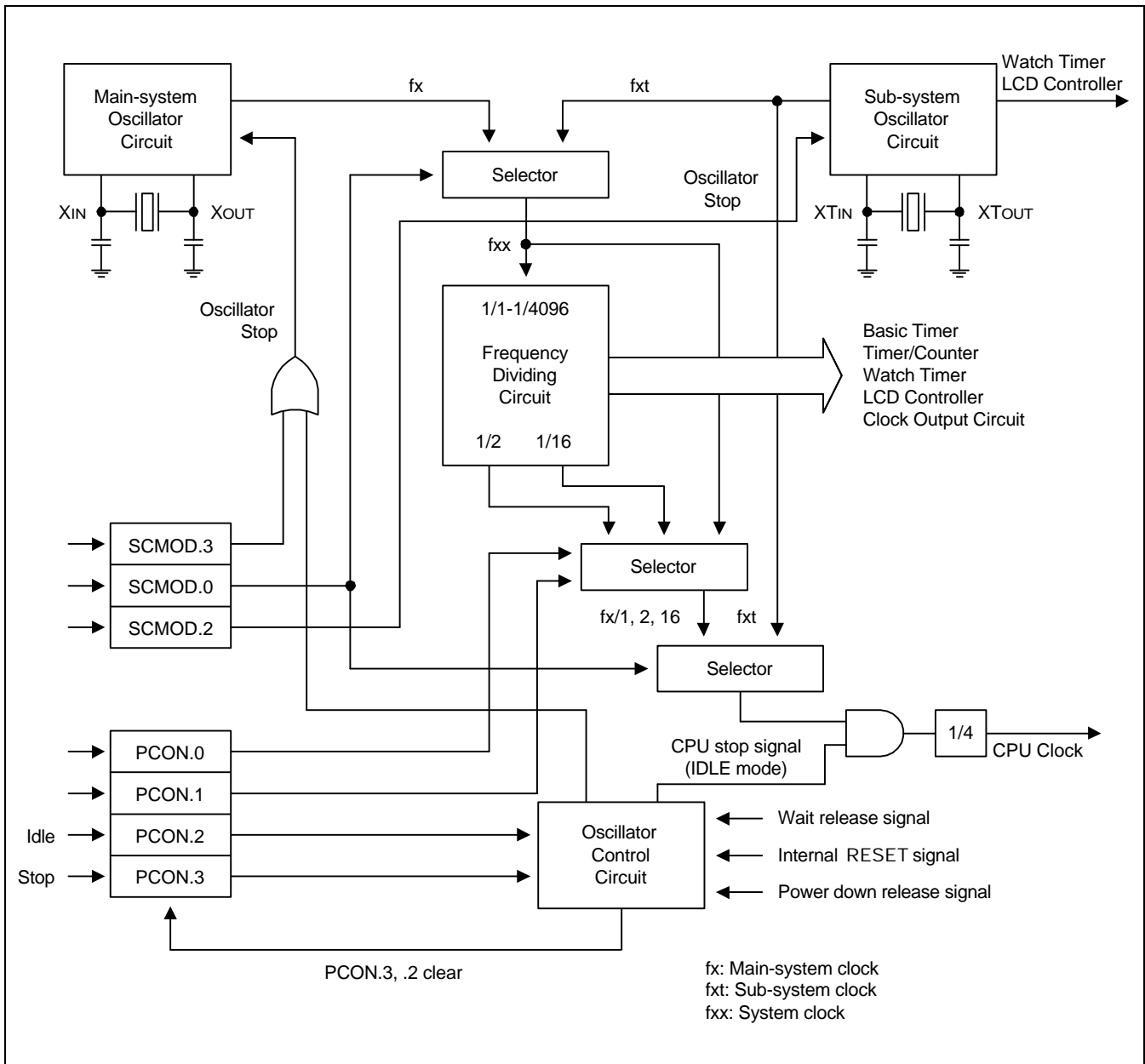


Figure 6-1. Clock Circuit Diagram

MAIN SYSTEM OSCILLATOR CIRCUITS

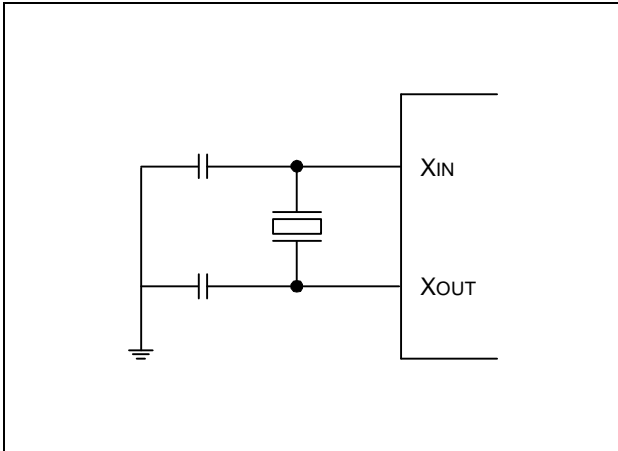


Figure 6-2. Crystal/Ceramic Oscillator (fx)

SUB SYSTEM OSCILLATOR CIRCUITS

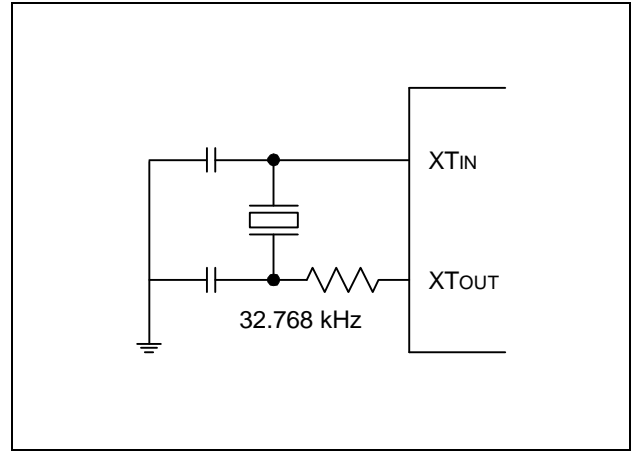


Figure 6-5. Crystal/Ceramic Oscillator (fxt)

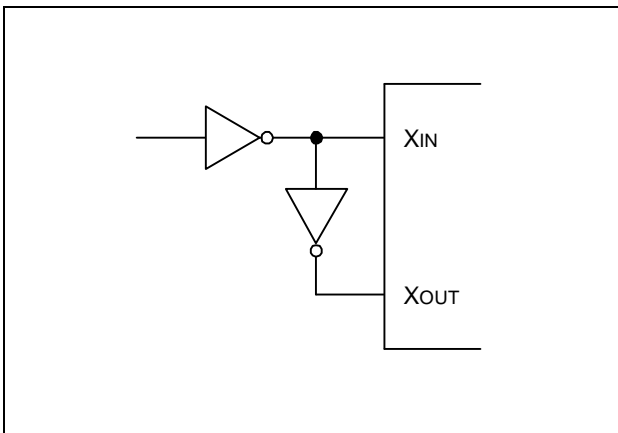


Figure 6-3. External Oscillator (fx)

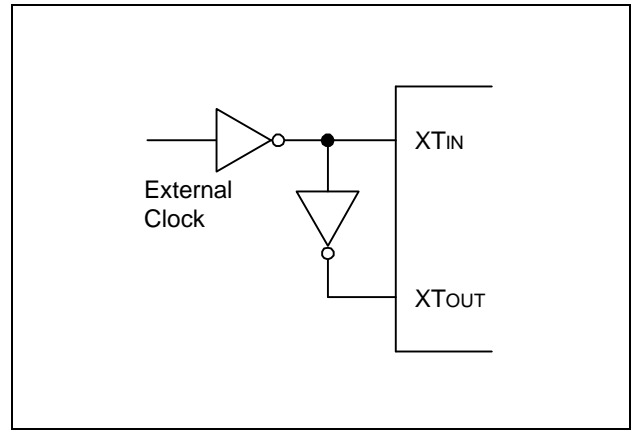


Figure 6-6. External Oscillator (fxt)

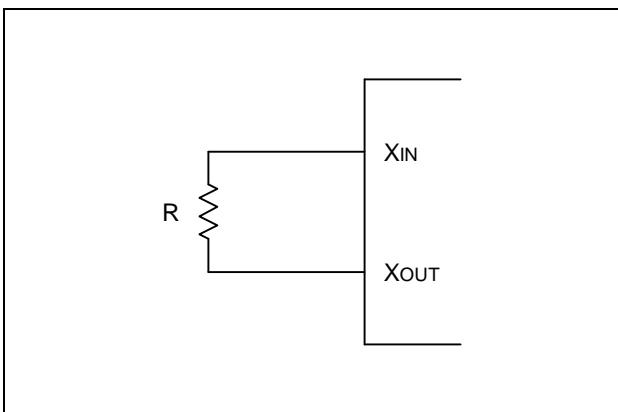
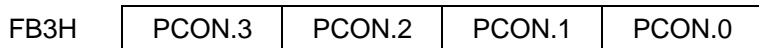


Figure 6-4. RC Oscillator (fx)

POWER CONTROL REGISTER (PCON)

The power control register, PCON, is a 4-bit register that is used to select the CPU clock frequency and to control CPU operating and power-down modes. PCON can be addressed directly by 4-bit write instructions or indirectly by the instructions IDLE and STOP.



PCON bits 3 and 2 are addressed by the STOP and IDLE instructions, respectively, to engage the idle and stop power-down modes. Idle and stop modes can be initiated by these instruction despite the current value of the enable memory bank flag (EMB). PCON bits 1 and 0 are used to select a specific system clock frequency. There are two basic choices:

- Main system clock (fx) or subsystem clock (fxt);
- Divided fx/4, 8, 64 or fxt/4 clock frequency.

PCON.1 and PCON.0 settings are also connected with the system clock mode control register, SCMOD. If SCMOD.0 = "0" the main system clock is always selected by the PCON.1 and PCON.0 setting; if SCMOD.0 = "1" the subsystem clock is selected.

RESET sets PCON register values (and SCMOD) to logic zero: SCMOD.3 and SCMOD.0 select the main system clock (fx) and start clock oscillation; PCON.1 and PCON.0 divide the selected fx frequency by 64, and PCON.3 and PCON.2 enable normal CPU operating mode.

Table 6-1. Power Control Register (PCON) Organization

PCON Bit Settings		Resulting CPU Operating Mode	
PCON.3	PCON.2		
0	0	Normal CPU operating mode	
0	1	Idle power-down mode	
1	0	Stop power-down mode	

PCON Bit Settings		Resulting CPU Clock Frequency	
PCON.1	PCON.0	If SCMOD.0 = "0"	If SCMOD.0 = "1"
0	0	fx/64	fxt/4
1	0	fx/8	
1	1	fx/4	

 **PROGRAMMING TIP — Setting the CPU Clock**

To set the CPU clock to 0.95 μs at 4.19 MHz:

```

BITS      EMB
SMB       15
LD        A,#3H
LD        PCON,A
    
```

INSTRUCTION CYCLE TIMES

The unit of time that equals one machine cycle varies depending on whether the main system clock (fx) or a subsystem clock (fxt) is used, and on how the oscillator clock signal is divided (by 4, 8, or 64). Table 6-2 shows corresponding cycle times in microseconds.

Table 6-2. Instruction Cycle Times for CPU Clock Rates

Selected CPU Clock	Resulting Frequency	Oscillation Source	Cycle Time (μsec)
fx/64	65.5 kHz	fx = 4.19 MHz	15.3
fx/8	524.0 kHz		1.91
fx/4	1.05 MHz		0.95
fxt/4	8.19 kHz	fxt = 32.768 kHz	122.0

SYSTEM CLOCK MODE REGISTER (SCMOD)

The system clock mode register, SCMOD, is a 4-bit register that is used to select the CPU clock and to control main and sub-system clock oscillation. The SCMOD is mapped to the RAM address FB7H.

The main clock oscillation is stopped by setting SCMOD.3 when the clock source is subsystem clock and subsystem clock can be stopped by setting SCMOD.2 when the clock source is main system clock. SCMOD.0, SCMOD.3 cannot be simultaneously modified.

The subsystem clock is stopped only by setting SCMOD.2, and PCON which revokes stop mode cannot stop the subsystem clock. The stop of subsystem clock is released by RESET when the selected system clock is main system clock or subsystem clock and is released by setting SCMOD.2 when the selected system clock is main system clock.

RESET clears all SCMOD values to logic zero, selecting the main system clock (fx) as the CPU clock and starting clock oscillation. The reset value of the SCMOD is "0"

SCMOD.0, SCMOD.2, and SCMOD.3 bits can be manipulated by 1-bit write instructions (In other words, SCMOD.0, SCMOD.2, and SCMOD.3 cannot be modified simultaneously by a 4-bit write).

Bit 1 is always logic zero.

FB7H	SCMOD.3	SCMOD.2	"0"	SCMOD.0
------	---------	---------	-----	---------

A subsystem clock (fxt) can be selected as the system clock by manipulating the SCMOD.3 and SCMOD.0 bit settings. If SCMOD.3 = "0" and SCMOD.0 = "1", the subsystem clock is selected and main system clock oscillation continues. If SCMOD.3 = "1" and SCMOD.0 = "1", fxt is selected, but main system clock oscillation stops.

Even if you have selected fx as the CPU clock, setting SCMOD.3 to "1" will stop main system clock oscillation, and malfunction may be occurred. To operate safely, main system clock should be stopped by a stop instruction is main system clock mode.

Table 6-3. System Clock Mode Register (SCMOD) Organization

SCMOD Register Bit Settings		Resulting Clock Selection	
SCMOD.3	SCMOD.0	CPU Clock Source	fx Oscillation
0	0	fx	On
0	1	fxt	On
1	1	fxt	Off

SCMOD.2	Sub-oscillation on/off
0	Enable sub system clock
1	Disable sub system clock

NOTE: You can use SCMOD.2 as follows (ex; after data bank was used, a few minutes have passed):
 Main operation → sub-operation → sub-idle (LCD on, after a few minutes later without any external input) → sub-operation → main operation → SCMOD.2 = 1 → main stop mode (LCD off).

Table 6-4. Main/Sub Oscillation Stop Mode

Mode	Condition	Method to issue Osc Stop	Osc Stop Release Source ⁽²⁾
Main Oscillation STOP Mode	Main oscillator runs. Sub oscillator runs (stops). System clock is the main oscillation clock.	STOP instruction: Main oscillator stops. CPU is in idle mode. Sub oscillator still runs (stops).	Interrupt and RESET: After releasing stop mode, main oscillation starts and oscillation stabilization time is elapsed. And then the CPU operates. Oscillation stabilization time is $1 / \{256 \times \text{BT clock (fx)}\}$.
		When SCMOD.3 is set to "1" ⁽¹⁾ , main oscillator stops, halting the CPU operation. Sub oscillator still runs (stops).	RESET: Interrupt can't start the main oscillation. Therefore, the CPU operation can never be restarted.
	Main oscillator runs. Sub oscillator runs. System clock is the sub oscillation clock.	STOP instruction: Main oscillator stops. CPU is in idle mode. Sub oscillator still runs (stops). Sub oscillator still runs.	BT overflow, interrupt, and RESET: After the overflow of basic timer [$1 / \{256 \times \text{BT clock (fxt)}\}$], CPU operation and main oscillation automatically start.
		When SCMOD.3 is set to "1", main oscillator stops. The CPU, however, would still operate. Sub oscillator still runs.	Set SCMOD.3 to "0" or RESET
Sub Oscillation STOP Mode	Main oscillator runs. Sub oscillator runs. System clock is the main oscillation clock.	When SCMOD.2 to "1", sub oscillator stops, while main oscillator and the CPU would still operate.	Set SCMOD.2 to "0" or RESET
	Main oscillator runs (stops). Sub oscillator runs. System clock is the sub oscillation clock.	When SCMOD.2 to "1", sub oscillator stops, halting the CPU operation. Main oscillator still runs (stops).	RESET

NOTES:

- This mode must not be used.
- Oscillation stabilization time by interrupt is $1 / (256 \times \text{BT clocks})$. Oscillation stabilization time by a reset is 31.3ms at 4.19Mhz, main oscillation clock.

SWITCHING THE CPU CLOCK

Together, bit settings in the power control register, PCON, and the system clock mode register, SCMOD, determine whether a main system or a subsystem clock is selected as the CPU clock, and also how this frequency is to be divided. This makes it possible to switch dynamically between main and subsystem clocks and to modify operating frequencies.

SCMOD.3, SCMOD.2, and SCMOD.0 select the main system clock (fx) or a subsystem clock (fxt) and start or stop main system clock oscillation. PCON.1 and PCON.0 control the frequency divider circuit, and divide the selected fx clock by 4, 8, or 64, or fxt clock by 4.

NOTE

A clock switch operation does not go into effect immediately when you make the SCMOD and PCON register modifications — the previously selected clock continues to run for a certain number of machine cycles.

For example, you are using the default CPU clock (normal operating mode and a main system clock of fx/64) and you want to switch from the fx clock to a subsystem clock and to stop the main system clock. To do this, you first need to set SCMOD.0 to "1". This switches the clock from fx to fxt but allows main system clock oscillation to continue. Before the switch actually goes into effect, a certain number of machine cycles must elapse. After this time interval, you can then disable main system clock oscillation by setting SCMOD.3 to "1".

This same 'stepped' approach must be taken to switch from a subsystem clock to the main system clock: first, clear SCMOD.3 to "0" to enable main system clock oscillation. Then, after a certain number of machine cycles has elapsed, select the main system clock by clearing all SCMOD values to logic zero.

Following a RESET, CPU operation starts with the lowest main system clock frequency of 15.3 μs at 4.19 MHz after the standard oscillation stabilization interval of 31.3 ms has elapsed. Table 6-4 details the number of machine cycles that must elapse before a CPU clock switch modification goes into effect.

Table 6-5. Elapsed Machine Cycles During CPU Clock Switch

AFTER		SCMOD.0 = 0						SCMOD.0 = 1	
		PCON.1 = 0		PCON.0 = 0		PCON.1 = 1			PCON.0 = 1
SCMOD.0 = 0	PCON.1 = 0	N/A		1 MACHINE CYCLE		1 MACHINE CYCLE		N/A	
	PCON.0 = 0	8 MACHINE CYCLES		N/A		1 MACHINE CYCLES		N/A	
SCMOD.0 = 1	PCON.1 = 1	16 MACHINE CYCLES		1 MACHINE CYCLES		N/A		fx / 4fxt	
	PCON.0 = 1	N/A		N/A		1MACHINE CYCLES		N/A	

NOTES:

1. Even if oscillation is stopped by setting SCMOD.3 during main system clock operation, the stop mode is not entered.
2. Since the X_{11N} input is connected internally to V_{SS} to avoid current leakage due to the crystal oscillator in stop mode, do not set SCMOD.3 to "1" or do not use stop instruction when an external clock is used as the main system clock.
3. When the system clock is switched to the subsystem clock, it is necessary to disable any interrupts which may occur during the time intervals shown in Table 6-4.
4. 'N/A' means 'not available'.
5. fx: Main-system clock, fxt: Sub-system clock. When fx is 4.19 MHz, and fxt is 32.768 kHz.

PROGRAMMING TIP — Switching Between Main System and Subsystem Clock

1. Switch from the main system clock to the subsystem clock:

```

MA2SUB  BITS      SCMOD.0           ; Switches to subsystem clock
        CALL      DLY80             ; Delay 80 machine cycles
        BITS      SCMOD.3           ; Stop the main system clock
        RET
DLY80   LD        A,#0FH
DEL1    NOP
        NOP
        DECS     A
        JR       DEL1
        RET

```

2. Switch from the subsystem clock to the main system clock:

```

SUB2MA  BITR      SCMOD.3           ; Start main system clock oscillation
        CALL      DLY80             ; Delay 160 machine cycles
        CALL      DLY80
        BITR      SCMOD.0           ; Switch to main system clock
        RET

```

CLOCK OUTPUT MODE REGISTER (CLMOD)

The clock output mode register, CLMOD, is a 4-bit register that is used to enable or disable clock output to the CLO pin and to select the CPU clock source and frequency. CLMOD is addressable by 4-bit write instructions only.

FD0H	CLMOD.3	"0"	CLMOD.1	CLMOD.0
------	---------	-----	---------	---------

RESET clears CLMOD to logic zero, which automatically selects the CPU clock as the clock source (without initiating clock oscillation), and disables clock output.

CLMOD.3 is the enable/disable clock output control bit; CLMOD.1 and CLMOD.0 are used to select one of four possible clock sources and frequencies: normal CPU clock, fxx/8, fxx/16, or fxx/64.

Table 6-6. Clock Output Mode Register (CLMOD) Organization

CLMOD Bit Settings		Resulting Clock Output	
CLMOD.1	CLMOD.0	Clock Source	Frequency
0	0	CPU clock (fx/4, fx/8, fx/64, fxt/4)	1.05 MHz, 524 kHz, 65.5 kHz, 8.2 kHz
0	1	fxx/8	524 kHz
1	0	fxx/16	262 kHz
1	1	fxx/64	65.5 kHz

CLMOD.3	Result of CLMOD.3 Setting
0	Disable clock output at the CLO pin
1	Enable clock output at the CLO pin

NOTE: Frequencies assume that fxx, fx = 4.19 MHz and fxt = 32.768 kHz.

CLOCK OUTPUT CIRCUIT

The clock output circuit, used to output clock pulses to the CLO pin, has the following components:

- 4-bit clock output mode register (CLMOD)
- Clock selector
- Output latch
- Port mode flag
- CLO output pin (P2.0)

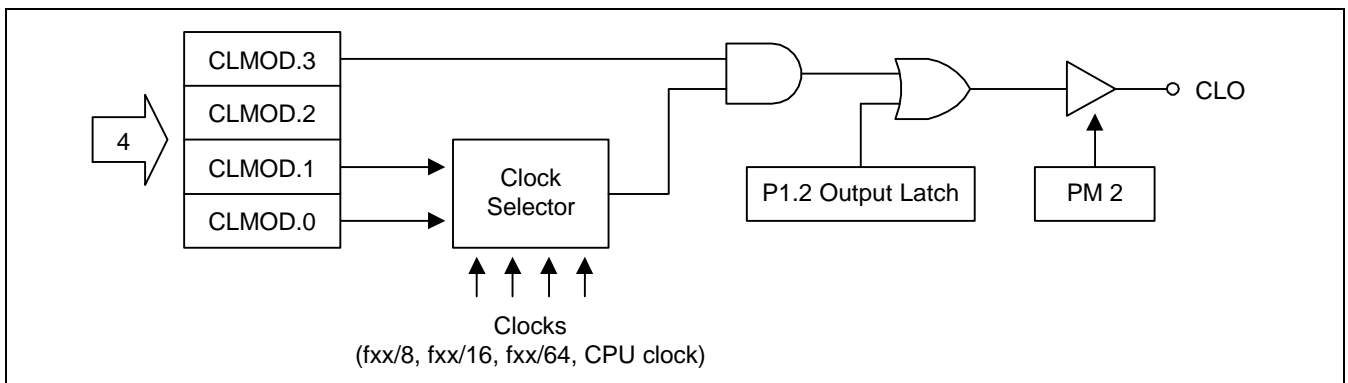


Figure 6-7. CLO Output Pin Circuit Diagram

CLOCK OUTPUT PROCEDURE

The procedure for outputting clock pulses to the CLO pin may be summarized as follows:

1. Disable clock output by clearing CLMOD.3 to logic zero.
2. Set the clock output frequency (CLMOD.1, CLMOD.0).
3. Load a "0" to the output latch of the CLO pin (P2.0).
4. Set the P2.0 mode flag (PM2.0) to output mode.
5. Enable clock output by setting CLMOD.3 to logic one.

PROGRAMMING TIP — CPU Clock Output to the CLO Pin

To output the CPU clock to the CLO pin:

BITS	EMB	
SMB	15	
LD	EA,#10H	
LD	PMG1,EA	; P2.0 ← Output mode
BITR	P2.0	; Clear P2.0 output latch
LD	A,#9H	
LD	CLMOD,A	

7 INTERRUPTS

OVERVIEW

The S3C72P9 interrupt control circuit has five functional components:

- Interrupt enable flags (IEx)
- Interrupt request flags (IRQx)
- Interrupt master enable register (IME)
- Interrupt priority register (IPR)
- Power-down release signal circuit

Three kinds of interrupts are supported:

- Internal interrupts generated by on-chip processes
- External interrupts generated by external peripheral devices
- Quasi-interrupts used for edge detection and as clock sources

Table 7-1. Interrupt Types and Corresponding Port Pin (s)

Interrupt Type	Interrupt Name	Corresponding Port Pins
External interrupts	INT0, INT1, INT4, INTK	P1.0, P1.1, P1.3, K0–K7
Internal interrupts	INTB, INTT0, INTT1, INTS	Not applicable
Quasi-interrupts	INT2	P1.2
	INTW	Not applicable

Vectored Interrupts

Interrupt requests may be processed as vectored interrupts in hardware, or they can be generated by program software. A vectored interrupt is generated when the following flags and register settings, corresponding to the specific interrupt (INTn) are set to logic one:

- Interrupt enable flag (IEx)
- Interrupt master enable flag (IME)
- Interrupt request flag (IRQx)
- Interrupt status flags (IS0, IS1)
- Interrupt priority register (IPR)

If all conditions are satisfied for the execution of a requested service routine, the start address of the interrupt is loaded into the program counter and the program starts executing the service routine from this address.

EMB and ERB flags for RAM memory banks and registers are stored in the vector address area of the ROM during interrupt service routines. The flags are stored at the beginning of the program with the VENT instruction. The initial flag values determine the vectors for resets and interrupts. Enable flag values are saved during the main routine, as well as during service routines. Any changes that are made to enable flag values during a service routine are not stored in the vector address.

When an interrupt occurs, the EMB and the ERB flags before the interrupt is initiated are saved along with the program status word (PSW), and the EMB and the ERB flag for the interrupt is fetched from the respective vector address. Then, if necessary, you can modify the enable flags during the interrupt service routine. When the interrupt service routine is returned to the main routine by the IRET instruction, the original values saved in the stack are restored and the main program continues program execution with these values.

Software-Generated Interrupts

To generate an interrupt request from software, the program manipulates the appropriate IRQx flag. When the interrupt request flag value is set, it is retained until all other conditions for the vectored interrupt have been met, and the service routine can be initiated.

Multiple Interrupts

By manipulating the two interrupt status flags (IS0 and IS1), you can control service routine initialization and thereby process multiple interrupts simultaneously.

If more than four interrupts are being processed at one time, you can avoid possible loss of working register data by using the PUSH RR instruction to save register contents to the stack before the service routines are executed in the same register bank. When the routines have executed successfully, you can restore the register contents from the stack to working memory using the POP instruction.

Power-Down Mode Release

An interrupt can be used to release power-down mode (stop or idle). Interrupts for power-down mode release are initiated by setting the corresponding interrupt enable flag. Even if the IME flag is cleared to zero, power-down mode will be released by an interrupt request signal when the interrupt enable flag has been set. In such cases, the interrupt routine will not be executed since IME = "0".

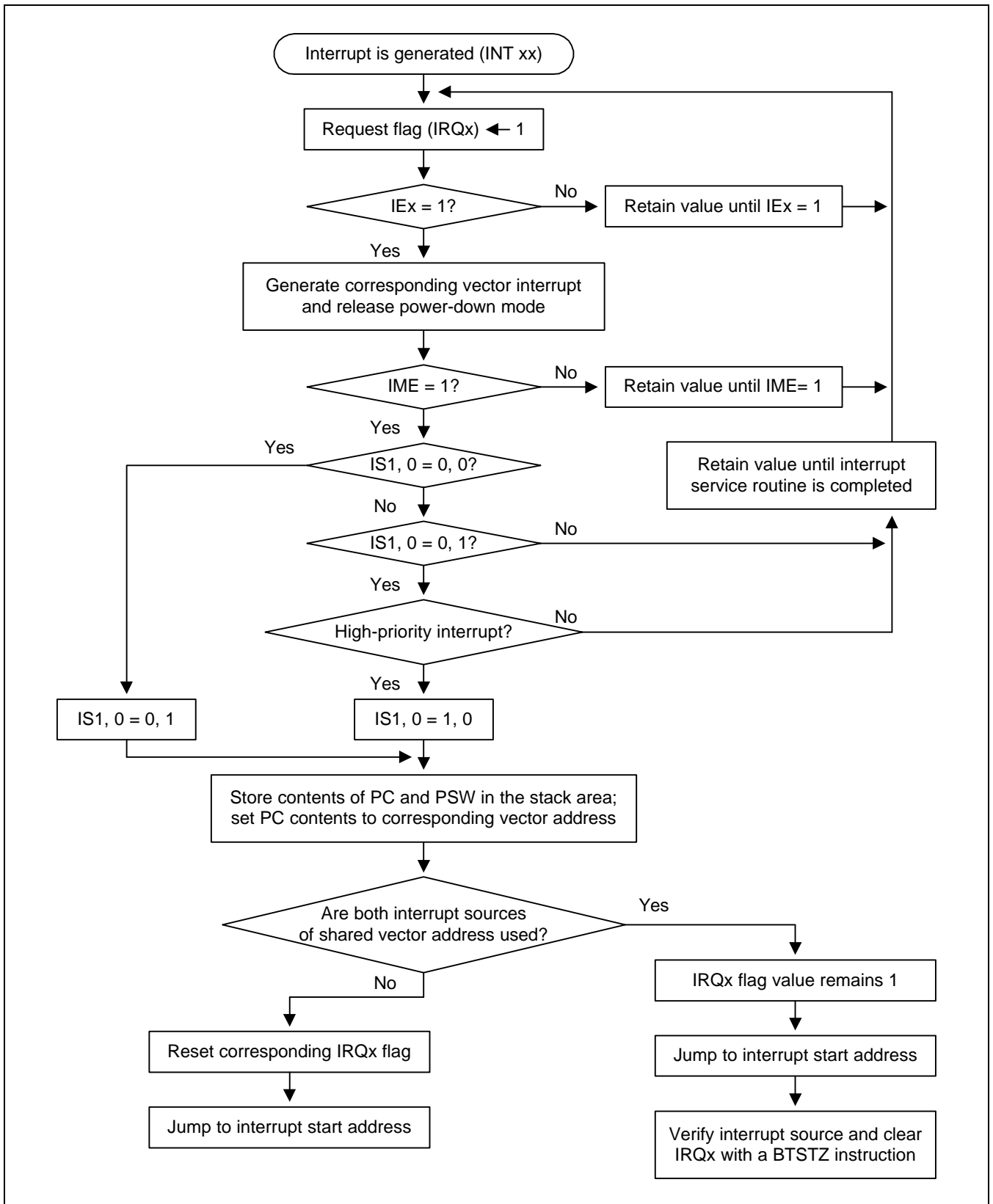


Figure 7-1. Interrupt Execution Flowchart

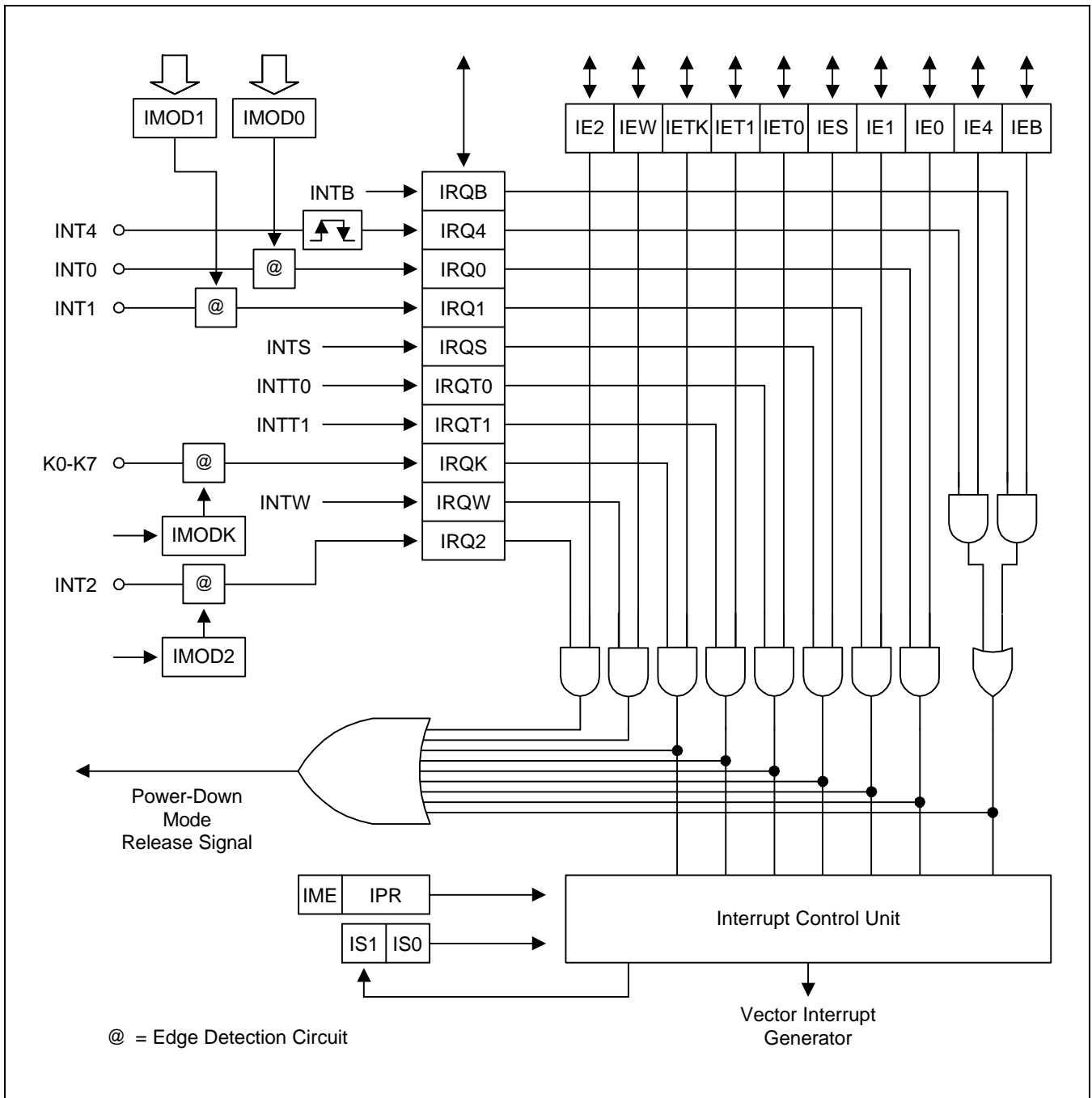


Figure 7-2. Interrupt Control Circuit Diagram

Multiple Interrupts

The interrupt controller can service multiple interrupts in two ways: as two-level interrupts, where either all interrupt requests or only those of highest priority are serviced, or as multi-level interrupts, when the interrupt service routine for a lower-priority request is accepted during the execution of a higher priority routine.

Two-Level Interrupt Handling

Two-level interrupt handling is the standard method for processing multiple interrupts. When the IS1 and IS0 bits of the PSW (FB0H.3 and FB0H.2, respectively) are both logic zero, program execution mode is normal and all interrupt requests are serviced (see Figure 7-3).

Whenever an interrupt request is accepted, IS1 and IS0 are incremented by one and the values are stored in the stack along with the other PSW bits. After the interrupt routine has been serviced, the modified IS1 and IS0 values are automatically restored from the stack by an IRET instruction.

IS0 and IS1 can be manipulated directly by 1-bit write instructions, regardless of the current value of the enable memory bank flag (EMB). Before you can modify an interrupt service flag, however, you must first disable interrupt processing with a DI instruction.

When IS1 = "0" and IS0 = "1", all interrupt service routines are inhibited except for the highest priority interrupt currently defined by the interrupt priority register (IPR).

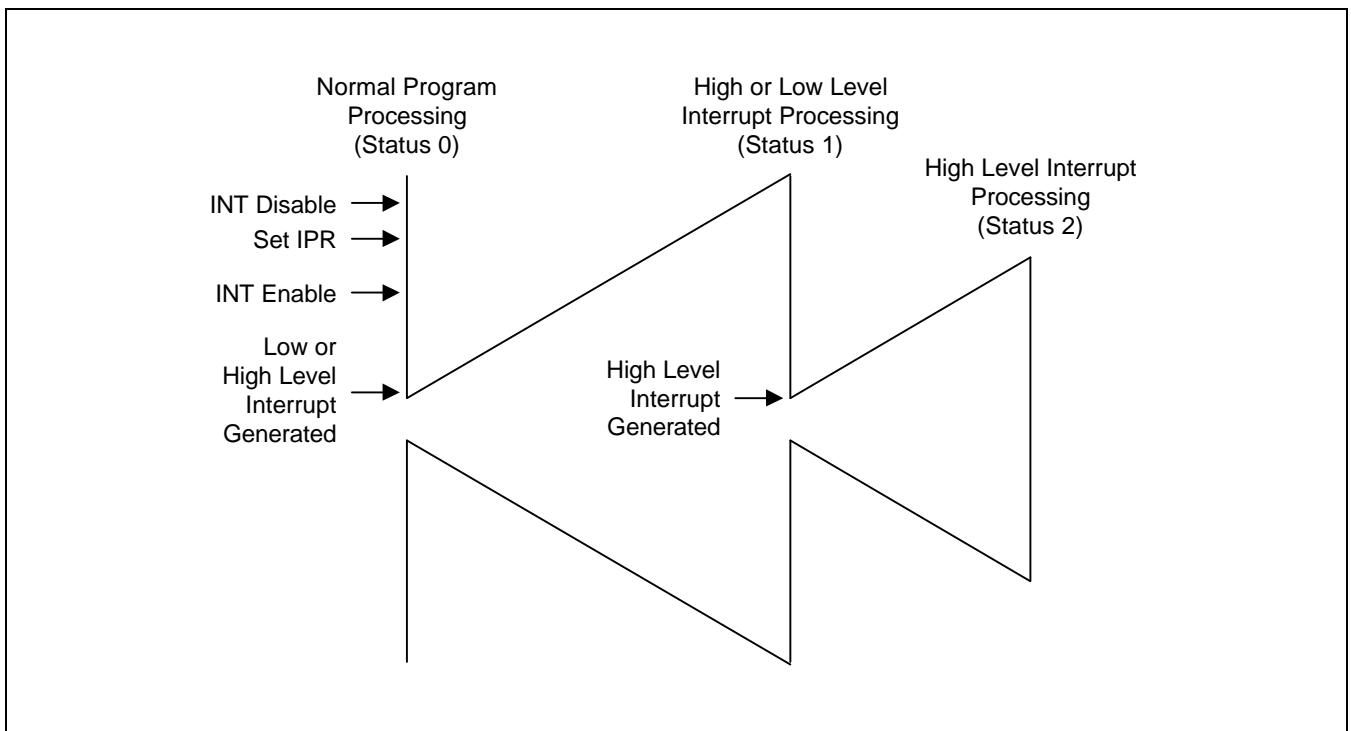


Figure 7-3. Two-Level Interrupt Handling

Multi-Level Interrupt Handling

With multi-level interrupt handling, a lower-priority interrupt request can be executed while a high-priority interrupt is being serviced. This is done by manipulating the interrupt status flags, IS0 and IS1 (see Table 7-2).

When an interrupt is requested during normal program execution, interrupt status flags IS0 and IS1 are set to "1" and "0", respectively. This setting allows only highest-priority interrupts to be serviced. When a high-priority request is accepted, both interrupt status flags are then cleared to "0" by software so that a request of any priority level can be serviced. In this way, the high- and low-priority requests can be serviced in parallel (see Figure 7-4).

Table 7-2. IS1 and IS0 Bit Manipulation for Multi-Level Interrupt Handling

Process Status	Before INT		Effect of ISx Bit Setting	After INT ACK	
	IS1	IS0		IS1	IS0
0	0	0	All interrupt requests are serviced.	0	1
1	0	1	Only high-priority interrupts as determined by the current settings in the IPR register are serviced.	1	0
2	1	0	No additional interrupt requests will be serviced.	–	–
–	1	1	Value undefined	–	–

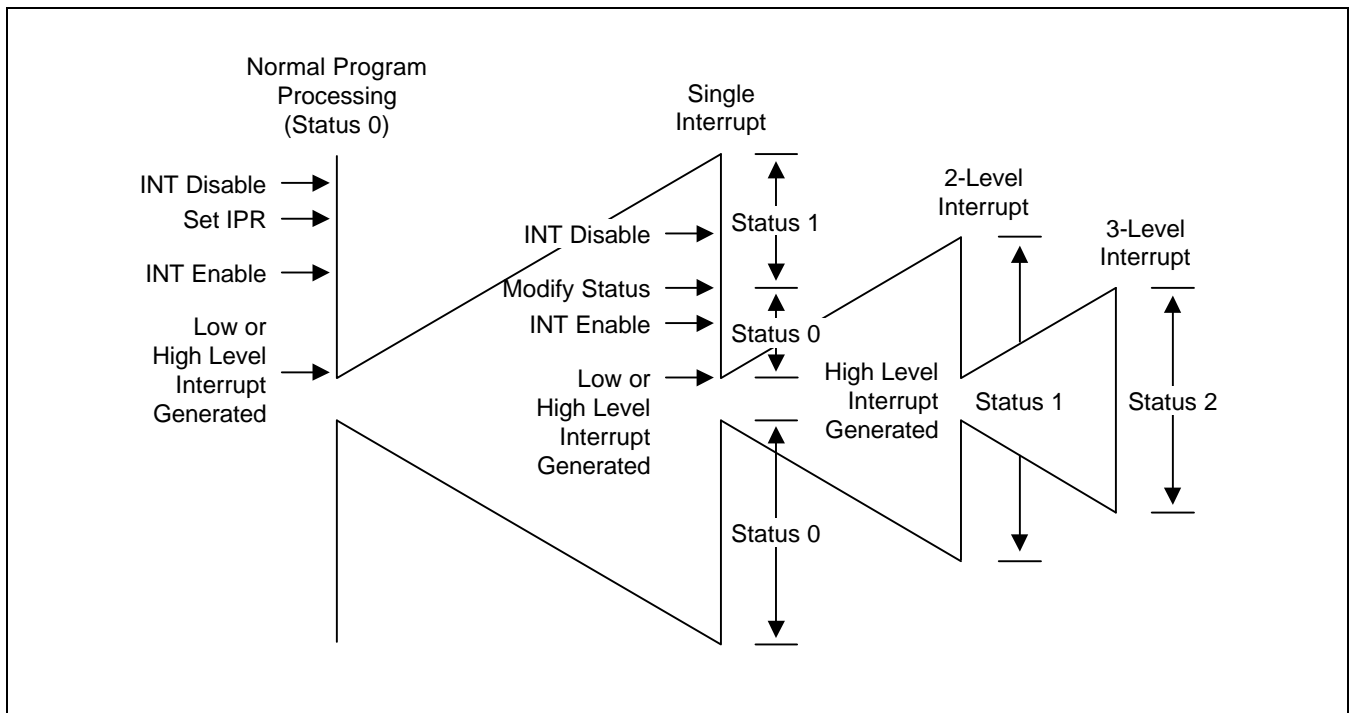


Figure 7-4. Multi-Level Interrupt Handling

INTERRUPT PRIORITY REGISTER (IPR)

The 4-bit interrupt priority register (IPR) is used to control multi-level interrupt handling. Its reset value is logic zero. Before the IPR can be modified by 4-bit write instructions, all interrupts must first be disabled by a DI instruction.

FB2H	IME	IPR.2	IPR.1	IPR.0
------	-----	-------	-------	-------

By manipulating the IPR settings, you can choose to process all interrupt requests with the same priority level, or you can select one type of interrupt for high-priority processing. A low-priority interrupt can itself be interrupted by a high-priority interrupt, but not by another low-priority interrupt. A high-priority interrupt cannot be interrupted by any other interrupt source.

Table 7-3. Standard Interrupt Priorities

Interrupt	Default Priority
INTB, INT4	1
INT0	2
INT1	3
INTS	4
INTT0	5
INTT1	6
INTK	7

The MSB of the IPR, the interrupt master enable flag (IME), enables and disables all interrupt processing. Even if an interrupt request flag and its corresponding enable flag are set, a service routine cannot be executed until the IME flag is set to logic one. The IME flag can be directly manipulated by EI and DI instructions, regardless of the current enable memory bank (EMB) value.

Table 7-4. Interrupt Priority Register Settings

IPR.2	IPR.1	IPR.0	Result of IPR Bit Setting
0	0	0	Process all interrupt requests at low priority <i>(note)</i>
0	0	1	Only INTB and INT4 interrupts are at high priority
0	1	0	Only INT0 interrupts is at high priority
0	1	1	Only INT1 interrupts is at high priority
1	0	0	Only INTS interrupts is at high priority
1	0	1	Only INTT0 interrupts is at high priority
1	1	0	Only INTT1 interrupts is at high priority
1	1	1	Only INTK interrupts is at high priority

NOTE: When all interrupts are low priority (the lower three bits of the IPR register are logic zero), the interrupt requested first will have high priority. Therefore, the first-request interrupt cannot be superseded by any other interrupt. If two or more interrupt requests are received simultaneously, the priority level is determined according to the standard interrupt priorities in Table 7-3 (the default priority assigned by hardware when the lower three IPR bits = "0"). In this case, the higher-priority interrupt request is serviced and the other interrupt is inhibited. Then, when the high-priority interrupt is returned from its service routine by an IRET instruction, the inhibited service routine is started.

 **PROGRAMMING TIP — Setting the INT Interrupt Priority**

The following instruction sequence sets the INT1 interrupt to high priority:

```

BITS      EMB
SMB      15
DI                          ; IPR.3 (IME) ← 0
LD        A,#3H
LD        IPR,A
EI                          ; IPR.3 (IME) ← 1
    
```

EXTERNAL INTERRUPT 0, 1 AND 2 MODE REGISTERS (IMOD0, IMOD1 AND IMOD2)

The following components are used to process external interrupts at the INT0, INT1 and INT2 pins:

- Edge detection circuit
- Three mode registers, IMOD0, IMOD1 and IMOD2

The mode registers are used to control the triggering edge of the input signal. IMOD0, IMOD1 and IMOD2 settings let you choose either the rising or falling edge of the incoming signal as the interrupt request trigger. The INT4 interrupt is an exception since its input signal generates an interrupt request on both rising and falling edges. Since INT2 is a quasi-interrupt, the interrupt request flag (IRQ2) must be cleared by software.

FB4H	"0"	"0"	IMOD0.1	IMOD0.0
FB5H	"0"	"0"	"0"	IMOD1.0
FDAH	"0"	"0"	"0"	IMOD2.0

IMOD0, IMOD1 and IMOD2 are addressable by 4-bit write instructions. RESET clears all IMOD values to logic zero, selecting rising edges as the trigger for incoming interrupt requests.

Table 7-5. IMOD0, 1 and 2 Register Organization

IMOD0	0	0	IMOD0.1	IMOD0.0	Effect of IMOD0 Settings
			0	0	Rising edge detection
			0	1	Falling edge detection
			1	0	Both rising and falling edge detection
			1	1	IRQ0 flag cannot be set to "1"

IMOD1 IMOD2	0	0	0	IMOD1.0 IMOD2.0	Effect of IMOD1 and IMOD2 Settings
				0	Rising edge detection
				1	Falling edge detection

EXTERNAL INTERRUPT 0, 1 and 2 MODE REGISTERS (Continued)

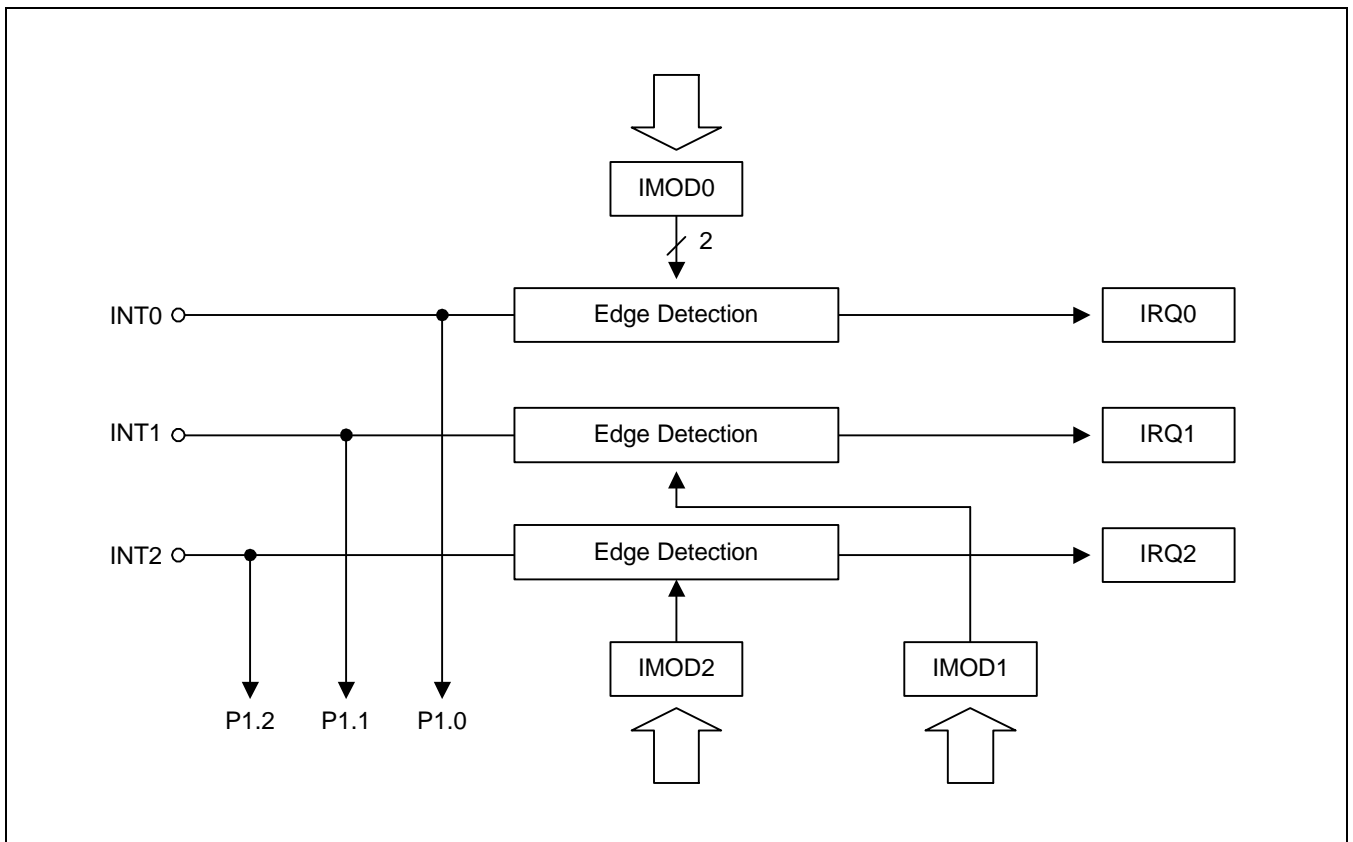


Figure 7-5. Circuit Diagram for INT0, INT1 and INT2 Pins

When modifying the IMOD registers, it is possible to accidentally set an interrupt request flag. To avoid unwanted interrupts, take these precautions when writing your programs:

1. Disable all interrupts with a DI instruction.
2. Modify the IMOD register.
3. Clear all relevant interrupt request flags.
4. Enable the interrupt by setting the appropriate IEx flag.
5. Enable all interrupts with an EI instructions.

EXTERNAL KEY INTERRUPT MODE REGISTER (IMODK)

The mode register for external key interrupts at the K0–K7 pins, IMODK, is addressable only by 4-bit write instructions. RESET clears all IMODK bits to logic zero.

FB6H	"0"	IMODK.2	IMODK.1	IMODK.0
------	-----	---------	---------	---------

Rising or falling edge can be detected by bit IMODK.2 settings. If a rising or falling edge is detected at any one of the selected K pin by the IMODK register, the IRQK flag is set to logic one and a release signal for power-down mode is generated.

Table 7-6. IMODK Register Bit Settings

IMODK	0	IMODK.2	IMODK.1	IMODK.0	Effect of IMODK Settings
		0, 1	0	0	Disable key interrupt
			0	1	Enable edge detection at the K0–K3 pins
			1	0	Enable edge detection at the K4–K7 pins
			1	1	Enable edge detection at the K0–K7 pins

IMODK.2	0	Falling edge detection
	1	Rising edge detection

NOTES:

1. To generate a key interrupt, the selected pins must be configured to input mode. If any one pin of the selected pins is configured to output mode, only falling edge can be detected.
2. To generate a key interrupt, all of the selected pins must be at input high state for falling edge detection, or all of the selected pins must be at input low state for rising edge detection. If any one of them or more is at input low state or input high state, the interrupt may be not occurred at falling edge or rising edge.
3. To generate a key interrupt, first, configure pull-up resistors or external pull-down resistors. And then, select edge detection and pins by setting IMODK register.

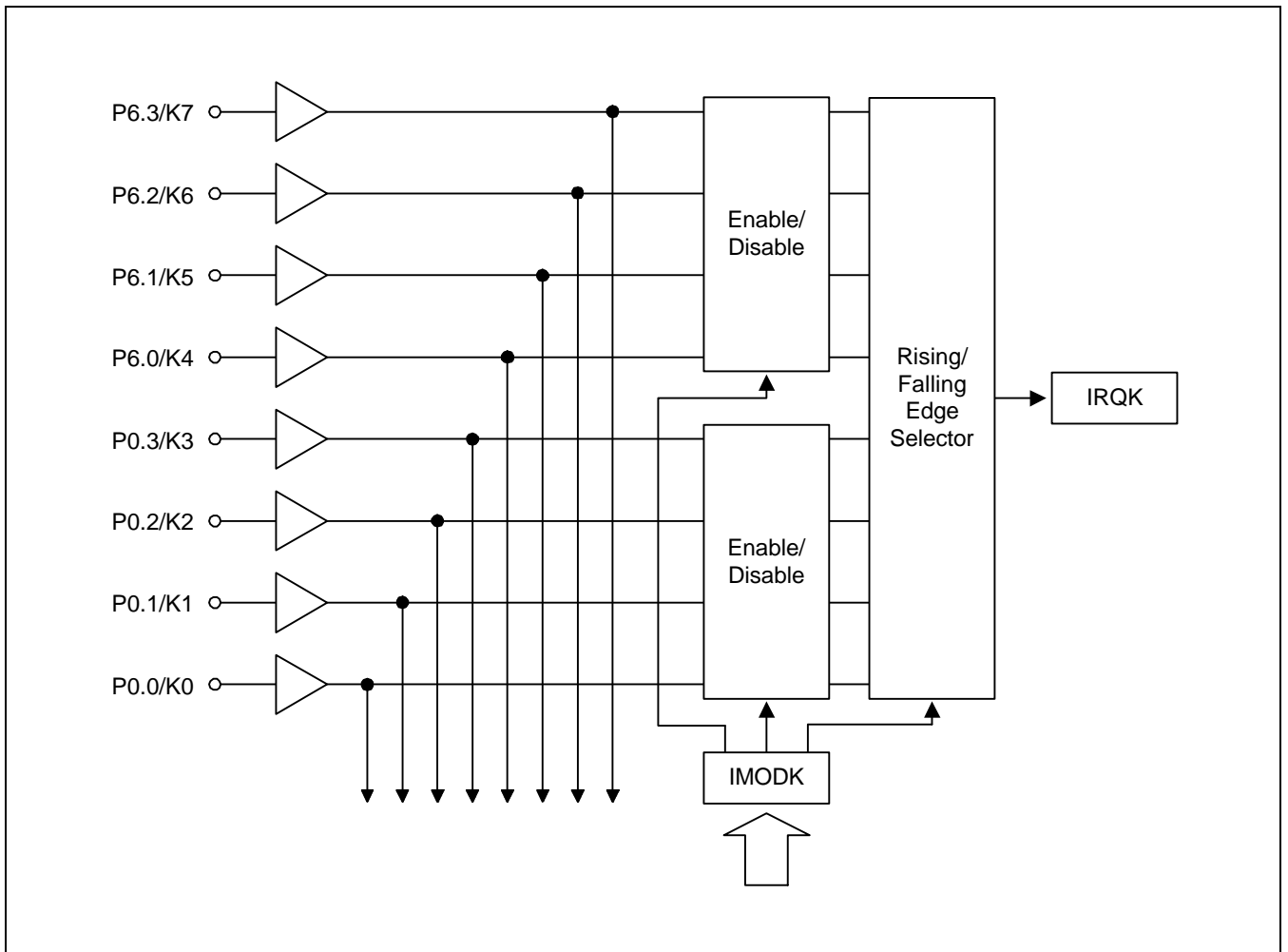


Figure 7-6. Circuit Diagram for INTK

 **PROGRAMMING TIP — Using INTK as a Key Input Interrupt**

When the key interrupt is used, the selected key interrupt source pin must be set to input:

1. When K0–K7 are selected (eight pins):

```

BITS      EMB
SMB       15
LD        A,#3H
LD        IMODK,A           ; (IMODK) ← #3H, K0–K7 falling edge select
LD        EA,#00H
LD        PMG1,EA          ; P0 ← input mode
LD        PMG4,EA          ; P6 ← input mode
LD        EA,#41H
LD        PUMOD1,EA        ; Enable P0 and P6 pull-up resistors

```

2. When K0–K3 are selected (four pins):

```

BITS      EMB
SMB       15
LD        A,#1H
LD        IMODK,A           ; (IMODK) ← #1H, K0–K3 falling edge select
LD        EA,#00H
LD        PMG1,EA          ; P0 ← input mode
LD        EA,#1H
LD        PUMOD1,EA        ; Enable P0 pull-up resistors

```

INTERRUPT FLAGS

There are three types of interrupt flags: interrupt request and interrupt enable flags that correspond to each interrupt, the interrupt master enable flag, which enables or disables all interrupt processing.

Interrupt Master Enable Flag (IME)

The interrupt master enable flag, IME, enables or disables all interrupt processing. Therefore, even when an IRQx flag is set and its corresponding IEx flag is enabled, the interrupt service routine is not executed until the IME flag is set to logic one.

The IME flag is located in the IPR register (IPR.3). It can be directly be manipulated by EI and DI instructions, regardless of the current value of the enable memory bank flag (EMB).

IME	IPR.2	IPR.1	IPR.0	Effect of Bit Settings
0				Inhibit all interrupts
1				Enable all interrupts

Interrupt Enable Flags (IEx)

IEx flags, when set to logical one, enable specific interrupt requests to be serviced. When the interrupt request flag is set to logical one, an interrupt will not be serviced until its corresponding IEx flag is also enabled.

Interrupt enable flags can be read, written, or tested directly by 1-bit instructions. IEx flags can be addressed directly at their specific RAM addresses, despite the current value of the enable memory bank (EMB) flag.

Table 7-7. Interrupt Enable and Interrupt Request Flag Addresses

Address	Bit 3	Bit 2	Bit 1	Bit 0
FB8H	IE4	IRQ4	IEB	IRQB
FBAH	0	0	IEW	IRQW
FBBH	IEK	IRQK	IET1	IRQT1
FBCH	0	0	IET0	IRQT0
FBDH	0	0	IES	IRQS
FBEH	IE1	IRQ1	IE0	IRQ0
FBFH	0	0	IE2	IRQ2

NOTES:

1. IEx refers to all interrupt enable flags.
2. IRQx refers to all interrupt request flags.
3. IEx = 0 is interrupt disable mode.
4. IEx = 1 is interrupt enable mode.

Interrupt Request Flags (IRQx)

Interrupt request flags are read/write addressable by 1-bit or 4-bit instructions. IRQx flags can be addressed directly at their specific RAM addresses, regardless of the current value of the enable memory bank (EMB) flag.

When a specific IRQx flag is set to logic one, the corresponding interrupt request is generated. The flag is then automatically cleared to logic zero when the interrupt has been serviced. Exceptions are the watch timer interrupt request flags, IRQW, and the external interrupt 2 flag IRQ2, which must be cleared by software after the interrupt service routine has executed. IRQx flags are also used to execute interrupt requests from software. In summary, follow these guidelines for using IRQx flags:

1. IRQx is set to request an interrupt when an interrupt meets the set condition for interrupt generation.
2. IRQx is set to "1" by hardware and then cleared by hardware when the interrupt has been serviced (with the exception of IRQW and IRQ2).
3. When IRQx is set to "1" by software, an interrupt is generated.

When two interrupts share the same service routine start address, interrupt processing may occur in one of two ways:

- When only one interrupt is enabled, the IRQx flag is cleared automatically when the interrupt has been serviced.
- When two interrupts are enabled, the request flag is not automatically cleared so that the user has an opportunity to locate the source of the interrupt request. In this case, the IRQx setting must be cleared manually using a BTSTZ instruction.

Table 7-8. Interrupt Request Flag Conditions and Priorities

Interrupt Source	Internal / External	Pre-condition for IRQx Flag Setting	Interrupt Priority	IRQ Flag Name
INTB	I	Reference time interval signal from basic timer	1	IRQB
INT4	E	Both rising and falling edges detected at INT4	1	IRQ4
INT0	E	Rising or falling edge detected at INT0 pin	2	IRQ0
INT1	E	Rising or falling edge detected at INT1 pin	3	IRQ1
INTS	I	Completion signal for serial transmit-and-receive or receive-only operation	4	IRQS
INTT0	I	Signals for TCNT0 and TREF0 registers match	5	IRQT0
INTT1	I	Signals for TCNT1 and TREF1 registers match	6	IRQT1
INTK	E	When a rising or falling edge detected at any one of the K0–K7 pins	7	IRQK
INT2	E	Rising or falling edge detected at INT2	–	IRQ2
INTW	I	Time interval of 0.5 secs or 3.19 msec	–	IRQW

 **PROGRAMMING TIP — Enabling the INTB and INT4 Interrupts**

To simultaneously enable INTB and INT4 interrupts:

```

INTB      DI
          BTSTZ      IRQB      ; IRQB = 1 ?
          JR         INT4      ; If no, INT4 interrupt; if yes, INTB interrupt is processed
          •
          •
          •
          EI
          IRET
;
INT4      BITR      IRQ4      ; INT4 is processed
          •
          •
          •
          EI
          IRET

```

8

POWER-DOWN

OVERVIEW

The S3C72P9 microcontroller has two power-down modes to reduce power consumption: idle and stop. Idle mode is initiated by the IDLE instruction and stop mode by the instruction STOP. (Several NOP instructions must always follow an IDLE or STOP instruction in a program.) In idle mode, the CPU clock stops while peripherals and the oscillation source continue to operate normally.

When RESET occurs during normal operation or during a power-down mode, a reset operation is initiated and the CPU enters idle mode. When the standard oscillation stabilization time interval (31.3 ms at 4.19 MHz) has elapsed, normal CPU operation resumes.

In stop mode, main system clock oscillation is halted (assuming it is currently operating), and peripheral hardware components are powered-down. The effect of stop mode on specific peripheral hardware components — CPU, basic timer, serial I/O, timer/ counters 0 and 1, watch timer, and LCD controller — and on external interrupt requests, is detailed in Table 8–1.

Idle or stop modes are terminated either by a RESET, or by an interrupt which is enabled by the corresponding interrupt enable flag, IEx. When power-down mode is terminated by RESET, a normal reset operation is executed. Assuming that both the interrupt enable flag and the interrupt request flag are set to "1", power-down mode is released immediately upon entering power-down mode.

When an interrupt is used to release power-down mode, the operation differs depending on the value of the interrupt master enable flag (IME):

- If the IME flag = "0"; If the power down mode release signal is generated, after releasing the power-down mode, program execution starts immediately under the instruction to enter power down mode without execution of interrupt service routine. The interrupt request flag remains set to logic one.
- If the IME flag = "1"; If the power down mode release signal is generated, after releasing the power down mode, two instructions following the instruction to enter power down mode are executed first and the interrupt service routine is executed, finally program is resumed. However, when the release signal is caused by INT2 or INTW, the operation is identical to the IME = "0" condition because INT2 and INTW are a quasi-interrupt.

NOTE

Do not use stop mode if you are using an external clock source because X_{IN} input must be restricted internally to V_{SS} to reduce current leakage.

Table 8-1. Hardware Operation During Power-Down Modes

Operation	Stop Mode (STOP)	Idle Mode (IDLE)
System clock status	STOP mode can be used only if the main system clock is selected as system clock (CPU clock)	Idle mode can be used if the main system clock or subsystem clock is selected as system clock (CPU clock)
Clock oscillator	Main system clock oscillation stops	CPU clock oscillation stops (main and subsystem clock oscillation continues)
Basic timer	Basic timer stops	Basic timer operates (with IRQB set at each reference interval)
Serial I/O interface	Operates only if external SCK input is selected as the serial I/O clock	Operates if a clock other than the CPU clock is selected as the serial I/O clock
Timer/counter 0	Operates only if TCL0 is selected as the counter clock	Timer/counter 0 operates
Timer/counter 1	Operates only if TCL1 is selected as the counter clock	Timer/counter 1 operates
Watch timer	Operates only if subsystem clock (fxt) is selected as the counter clock	Watch timer operates
LCD controller	Operates only if a subsystem clock is selected as LCDCK	LCD controller operates
External interrupts	INT0, INT1, INT2, INT4, and INTK are acknowledged	INT0, INT1, INT2, INT4 and INTK are acknowledged
CPU	All CPU operations are disabled	All CPU operations are disabled
Mode release signal	Interrupt request signals are enabled by an interrupt enable flag or by RESET input	Interrupt request signals are enabled by an interrupt enable flag or by RESET input

Table 8-2. System Operating Mode Comparison

Mode	Condition	STOP/IDLE Mode Start Method	Current Consumption
Main operating mode	Main oscillator runs. Sub oscillator runs (stops). System clock is the main oscillation clock.	–	A
Main Idle mode	Main oscillator runs. Sub oscillator runs (stops). System clock is the main oscillation clock.	IDLE instruction	B
Main Stop mode	Main oscillator runs. Sub oscillator runs. System clock is the main oscillation clock.	STOP instruction	D
Sub operating mode	Main oscillator is stopped by SCMOD.3. Sub oscillator runs. System clock is the sub oscillation clock.	–	C
Sub Idle Mode	Main oscillator is stopped by SCMOD.3. Sub oscillator runs. System clock is the sub oscillation clock.	IDLE instruction	D
Sub Stop mode	Main oscillator is stopped by SCMOD.3. Sub oscillator runs. System clock is the sub oscillation clock.	Setting SCMOD.2 to "1": This mode can be released only by an external RESET.	E
Main/Sub Stop mode	Main oscillator runs. Sub oscillator is stopped by SCMOD.2. System clock is the main oscillation clock.	STOP instruction: This mode can be released by an interrupt and RESET.	E

NOTE: The current consumption is: A > B > C > D > E.

IDLE MODE TIMING DIAGRAMS

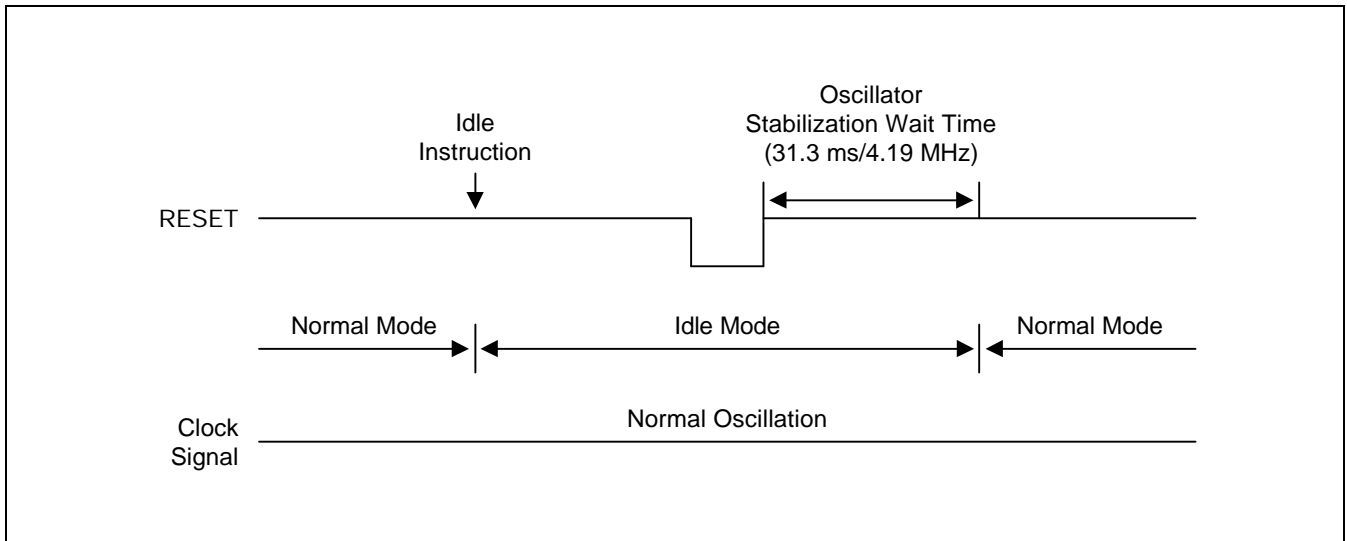


Figure 8-1. Timing When Idle Mode is Released by RESET

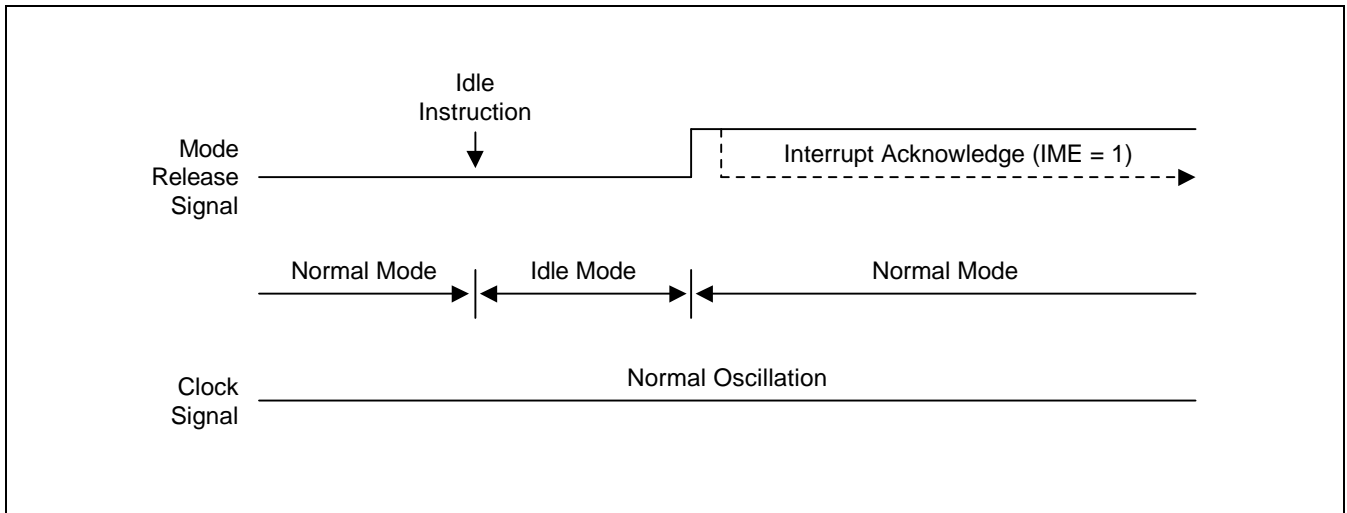


Figure 8-2. Timing When Idle Mode is Released by an Interrupt

STOP MODE TIMING DIAGRAMS

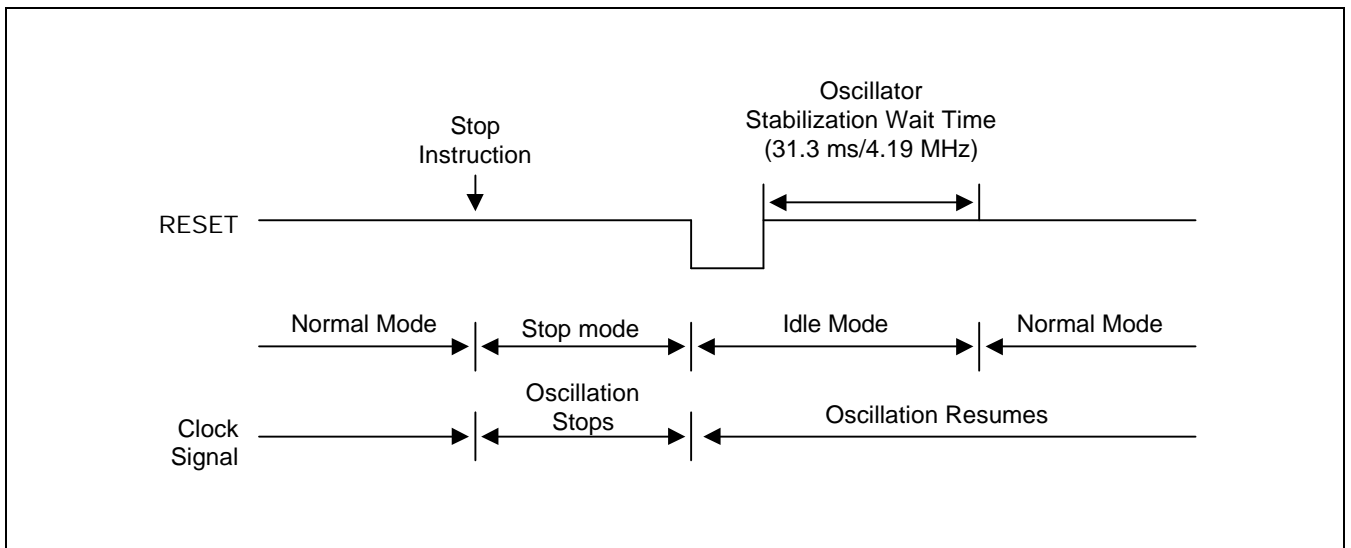


Figure 8-3. Timing When Stop Mode is Released by RESET

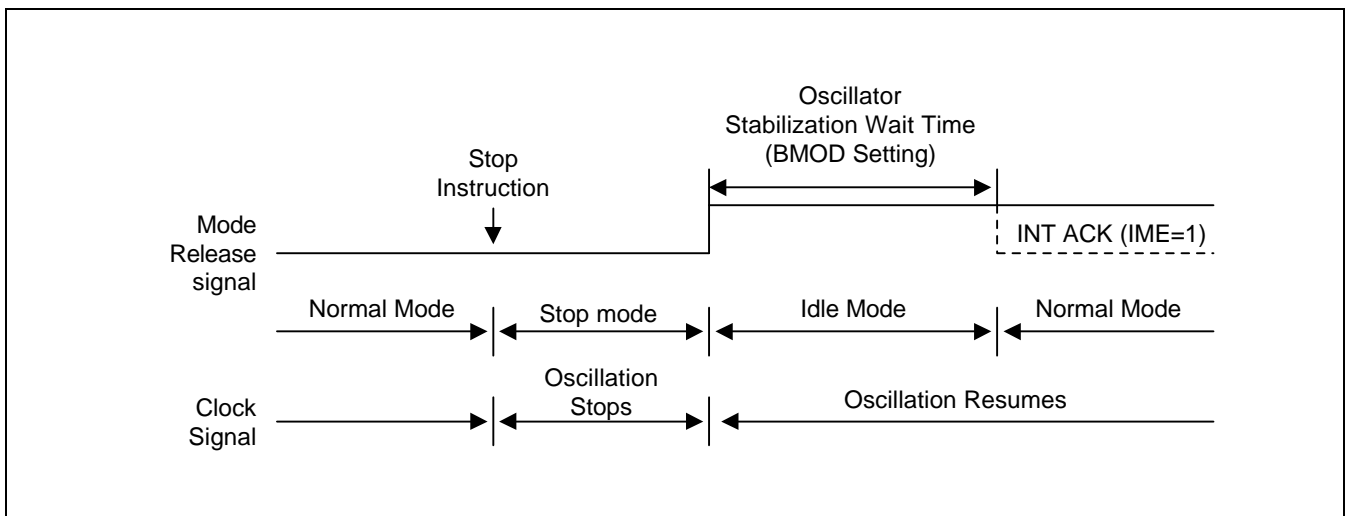


Figure 8-4. Timing When Stop Mode is Released by an Interrupt

PROGRAMMING TIP — Reducing Power Consumption for Key Input Interrupt Processing

The following code shows real-time clock and interrupt processing for key inputs to reduce power consumption. In this example, the system clock source is switched from the main system clock to a subsystem clock and the LCD display is turned on:

```

KEYCLK    DI
          CALL    MA2SUB          ; Main system → clock subsystem clock switch subroutine
          SMB     15
          LD      EA,#00H
          LD      P4,EA          ; All key strobe outputs to low level
          LD      A,#3H
          LD      IMODK,A       ; Select K0–K7 enable
          SMB     0
          BITR    IRQW
          BITR    IRQK
          BITS    IEW
          BITS    IEK
CLKS1     CALL    WATDIS        ; Execute clock and display changing subroutine
          BTSTZ   IRQK
          JR      CIDLE
          CALL    SUB2MA        ; Subsystem clock → main system clock switch
subroutine
          EI
          RET
CIDLE     IDLE          ; Engage idle mode
          NOP
          NOP
          JPS     CLKS1

```

RECOMMENDED CONNECTIONS FOR UNUSED PINS

To reduce overall power consumption, please configure unused pins according to the guidelines described in Table 8–2.

Table 8-3. Unused Pin Connections for Reducing Power Consumption

Pin/Share Pin Names	Recommended Connection
P0.0/SCK/K0 P0.1/SO/K1 P0.2/SI/K2 P0.3/BUZ/K3	Input mode: Connect to V_{DD} Output mode: No connection
P1.0/INT0–P1.2/INT2	Connect to V_{DD}
P1.3/INT4	Connect to V_{DD}
P2.0/CLO P2.1/LCDCK P2.2/LCDSY P3.0/TCLO0 P3.1/TCLO1 P3.2/TCL0 P3.3/TCL1 P4.0/COM8–P4.3/COM11 P5.0/COM12–P5.3/COM15 P6.0/SEG55/K4–P6.3/SEG52/K7 P7.0/SEG51–P7.3/SEG48 P8.0/SEG47–P8.3/SEG44 P9.0/SEG43–P9.3/SEG40	Input mode: Connect to V_{DD} Output mode: No connection
SEG0–SEG39 COM0–COM7	No connection
V_{LC1} – V_{LC5}	No connection
XT_{IN} (note)	Stop sub-oscillator by setting the SCMOD.2 to logic "1"
XT_{OUT}	No connection
TEST	Connect to V_{SS}

NOTE: You can stop the sub-oscillator by setting the SCMOD.2 to one.

9

RESET

OVERVIEW

When a RESET signal is input during normal operation or power-down mode, a hardware reset operation is initiated and the CPU enters idle mode. Then, when the standard oscillation stabilization interval of 31.3 ms at 4.19 MHz has elapsed, normal system operation resumes.

Regardless of when the RESET occurs — during normal operating mode or during a power-down mode — most hardware register values are set to the reset values described in Table 9-1. The current status of several register values is, however, always retained when a RESET occurs during idle or stop mode; If a RESET occurs during normal operating mode, their values are undefined. Current values that are retained in this case are as follows:

- Carry flag
- Data memory values
- General-purpose registers E, A, L, H, X, W, Z, and Y
- Serial I/O buffer register (SBUF)

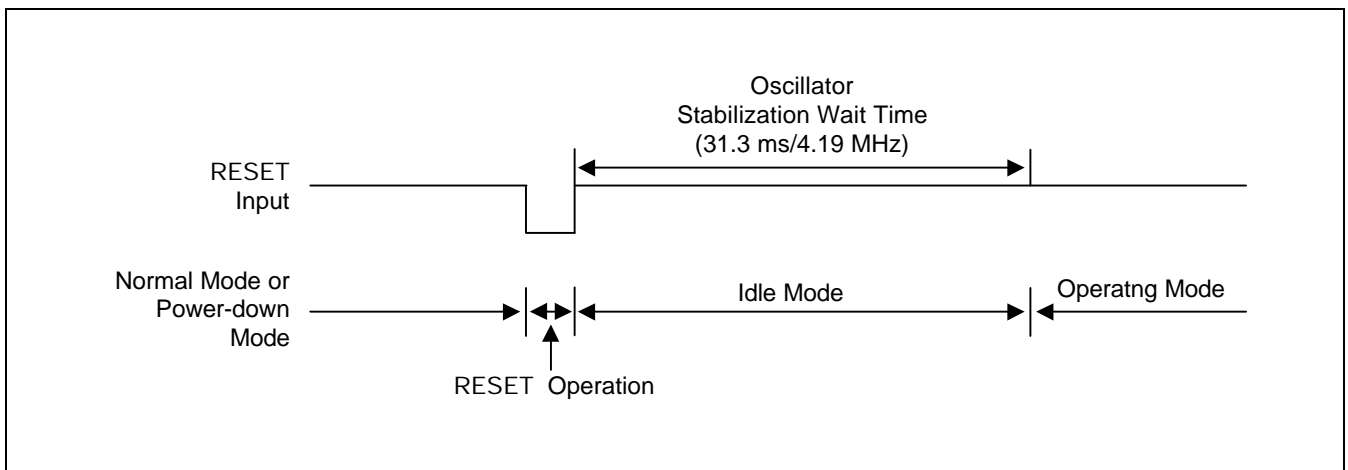


Figure 9-1. Timing for Oscillation Stabilization after RESET

HARDWARE REGISTER VALUES AFTER RESET

Table 9-1 gives you detailed information about hardware register values after a RESET occurs during power-down mode or during normal operation.

Table 9-1. Hardware Register Values After RESET

Hardware Component or Subcomponent	If RESET Occurs During Power-Down Mode	If RESET Occurs During Normal Operation
Program counter (PC)	Lower six bits of address 0000H are transferred to PC13–8, and the contents of 0001H to PC7–0.	Lower six bits of address 0000H are transferred to PC13–8, and the contents of 0001H to PC7–0.
Program Status Word (PSW):		
Carry flag (C)	Retained	Undefined
Skip flag (SC0–SC2)	0	0
Interrupt status flags (IS0, IS1)	0	0
Bank enable flags (EMB, ERB)	Bit 6 of address 0000H in program memory is transferred to the ERB flag, and bit 7 of the address to the EMB flag.	Bit 6 of address 0000H in program memory is transferred to the ERB flag, and bit 7 of the address to the EMB flag.
Stack pointer (SP)	Undefined	Undefined
Data Memory (RAM):		
General registers E, A, L, H, X, W, Z, Y	Values retained	Undefined
General-purpose registers	Values retained (note)	Undefined
Bank selection registers (SMB, SRB)	0, 0	0, 0
BSC register (BSC0–BSC3)	0	0
Clocks:		
Power control register (PCON)	0	0
Clock output mode register (CLMOD)	0	0
System clock mode register (SCMOD)	0	0
Interrupts:		
Interrupt request flags (IRQx)	0	0
Interrupt enable flags (IEx)	0	0
Interrupt priority flag (IPR)	0	0
Interrupt master enable flag (IME)	0	0
INT0 mode register (IMOD0)	0	0
INT1 mode register (IMOD1)	0	0
INT2 mode register (IMOD2)	0	0
INTK mode register (IMODK)	0	0

NOTE: The values of the 0F8H–0FDH are not retained when a RESET signal is input.

Table 9-1. Hardware Register Values After RESET (Continued)

Hardware Component or Subcomponent	If RESET Occurs During Power-Down Mode	If RESET Occurs During Normal Operation
I/O Ports:		
Output buffers	Off	Off
Output latches	0	0
Port mode flags (PM)	0	0
Pull-up resistor mode reg (PUMOD1/2)	0	0
Basic Timer:		
Count register (BCNT)	Undefined	Undefined
Mode register (BMOD)	0	0
Mode register (WDMOD)	A5H	A5H
Counter clear flag (WDTCF)	0	0
Timer/Counters 0 and 1:		
Count registers (TCNT0/1)	0	0
Reference registers (TREF0/1)	FFH, FFFFH	FFH, FFFFH
Mode registers (TMOD0/1)	0	0
Output enable flags (TOE0/1)	0	0
Watch Timer:		
Watch timer mode register (WMOD)	0	0
LCD Driver/Controller:		
LCD contrast control register (LCNST)	0	0
LCD mode register (LMOD)	0	0
LCD control register (LCON)	0	0
Display data memory	Values retained	Undefined
Output buffers	Off	Off
Serial I/O Interface:		
SIO mode register (SMOD)	0	0
SIO interface buffer (SBUF)	Values retained	Undefined
N-Channel Open-Drain Mode Register		
PNE0/3	0	0

10 I/O PORTS

OVERVIEW

The S3C72P9 has 10 ports. There are total of 4 input pins and 35 configurable I/O pins, for a maximum number of 39 pins.

Pin addresses for all ports are mapped to bank 15 of the RAM. The contents of I/O port pin latches can be read, written, or tested at the corresponding address using bit manipulation instructions.

Port Mode Flags

Port mode flags (PM) are used to configure I/O ports to input or output mode by setting or clearing the corresponding I/O buffer.

Pull-up Resistor Mode Register (PUMOD)

The pull-up register mode registers (PUMOD1, 2) are used to assign internal pull-up resistors by software to specific ports. When a configurable I/O port pin is used as an output pin, its assigned pull-up resistor is automatically disabled, even though the pin's pull-up is enabled by a corresponding PUMOD bit setting.

Table 10-1. I/O Port Overview

Port	I/O	Pins	Pin Names	Address	Function Description
0	I/O	4	P0.0–P0.3	FF0H	4-bit I/O port. 1-bit and 4-bit read/write and test is possible. Individual pins are software configurable as input or output. Individual pins are software configurable as open-drain or push-pull output. 4-bit pull-up resistors are software assignable; pull-up resistors are automatically disabled for output pins.
1	I	4	P1.0–P1.3	FF1H	4-bit input port. 1-bit and 4-bit read and test is possible. 4-bit pull-up resistors are assignable.
2	I/O	3	P2.0–P2.2	FF2H	Same as port 0 except that port 2 is 3-bit I/O port.
3	I/O	4	P3.0–P3.3	FF3H	Same as port 0.
4, 5	I/O	8	P4.0–P4.3 P5.0–P5.3	FF4H FF5H	4-bit I/O ports. 1-, 4-bit or 8-bit read/write and test is possible. Individual pins are software configurable as input or output. 4-bit pull-up resistors are software assignable; pull-up resistors are automatically disabled for output pins.
6, 7	I/O	8	P6.0–P6.3 P7.0–P7.3	FF6H FF7H	Same as P4 and P5.
8, 9	I/O	8	P8.0–P8.3 P9.0–P9.3	FF8H FF9H	Same as P4 and P5.

Table 10-2. Port Pin Status During Instruction Execution

Instruction Type	Example	Input Mode Status	Output Mode Status
1-bit test 1-bit input 4-bit input 8-bit input	BTST P0.1 LDB C,P1.3 LD A,P7 LD EA,P4	Input or test data at each pin	Input or test data at output latch
1-bit output	BITR P2.3	Output latch contents undefined	Output pin status is modified
4-bit output 8-bit output	LD P2,A LD P6,EA	Transfer accumulator data to the output latch	Transfer accumulator data to the output pin

PORT MODE FLAGS (PM FLAGS)

Port mode flags (PM) are used to configure I/O ports to input or output mode by setting or clearing the corresponding I/O buffer.

For convenient program reference, PM flags are organized into five groups — PMG1, PMG2, PMG3, PMG4 and PMG5 as shown in Table 10-3. They are addressable by 8-bit write instructions only.

When a PM flag is "0", the port is set to input mode; when it is "1", the port is enabled for output. RESET clears all port mode flags to logical zero, automatically configuring the corresponding I/O ports to input mode.

Table 10-3. Port Mode Group Flags

PM Group ID	Address	Bit 3	Bit 2	Bit 1	Bit 0
PMG1	FE6H	PM0.3	PM0.2	PM0.1	PM0.0
	FE7H	"0"	PM2.2	PM2.1	PM2.0
PMG2	FE8H	PM3.3	PM3.2	PM3.1	PM3.0
	FE9H	"0"	"0"	"0"	"0"
PMG3	FEAH	PM4.3	PM4.2	PM4.1	PM4.0
	FEBH	PM5.3	PM5.2	PM5.1	PM5.0
PMG4	FECH	PM6.3	PM6.2	PM6.1	PM6.0
	FEDH	PM7.3	PM7.2	PM7.1	PM7.0
PMG5	FEEH	PM8.3	PM8.2	PM8.1	PM8.0
	FEFH	PM9.3	PM9.2	PM9.1	PM9.0

NOTE: If bit = "0", the corresponding I/O pin is set to input mode. If bit = "1", the pin is set to output mode: PM0.0 for P0.0, PM0.1 for P0.1, etc.. All flags are cleared to "0" following RESET.

 PROGRAMMING TIP — Configuring I/O Ports to Input or Output

Configure ports 0 and 2 as an output port:

```

BITS      EMB
SMB       15
LD        EA,#7FH
LD        PMG1,EA      ; P0 and P2 ← Output

```

PULL-UP RESISTOR MODE REGISTER (PUMOD)

The pull-up resistor mode registers (PUMOD1 and PUMOD2) are used to assign internal pull-up resistors by software to specific ports. When a configurable I/O port pin is used as an output pin, its assigned pull-up resistor is automatically disabled, even though the pin's pull-up is enabled by a corresponding PUMOD bit setting.

PUMOD1 is addressable by 8-bit write instructions only, and PUMOD2 by 4-bit write instruction only. RESET clears PUMOD register values to logic zero, automatically disconnecting all software-assignable port pull-up resistors.

Table 10-4. Pull-Up Resistor Mode Register (PUMOD) Organization

PUMOD ID	Address	Bit 3	Bit 2	Bit 1	Bit 0
PUMOD1	FDCH	PUR3	PUR2	PUR1	PUR0
	FDDH	PUR7	PUR6	PUR5	PUR4
PUMOD2	FDEH	"0"	"0"	PUR9	PUR8

NOTE: When bit = "1", a pull-up resistor is assigned to the corresponding I/O port: PUR3 for port 3, PUR2 for port 2, and so on.

PROGRAMMING TIP — Enabling and Disabling I/O Port Pull-Up Resistors

P6 and P7 enable pull-up resistors.

```

BITS      EMB
SMB       15
LD        EA,#0C0H
LD        PUMOD1,EA      ; P6 and P7 enable

```

N-CHANNEL OPEN-DRAIN MODE REGISTER (PNE)

The n-channel, open-drain mode register (PNE) is used to configure ports 0, 2 and 3 to n-channel, open-drain or as push-pull outputs. When a bit in the PNE register is set to "1", the corresponding output pin is configured to n-channel, open-drain; when set to "0", the output pin is configured to push-pull. The PNE register consists of an 8-bit register and a 4-bit register; PNE0 can be addressed by 8-bit write instructions only and PNE3 by 4-bit write instructions only.

FD6H	PNE0.3	PNE0.2	PNE0.1	PNE0.0	PNE1
FD7H	PNE2.3	PNE2.2	PNE2.1	PNE2.0	
FD8H	PNE3.3	PNE3.2	PNE3.1	PNE3.0	PNE2

PORT 0 CIRCUIT DIAGRAM

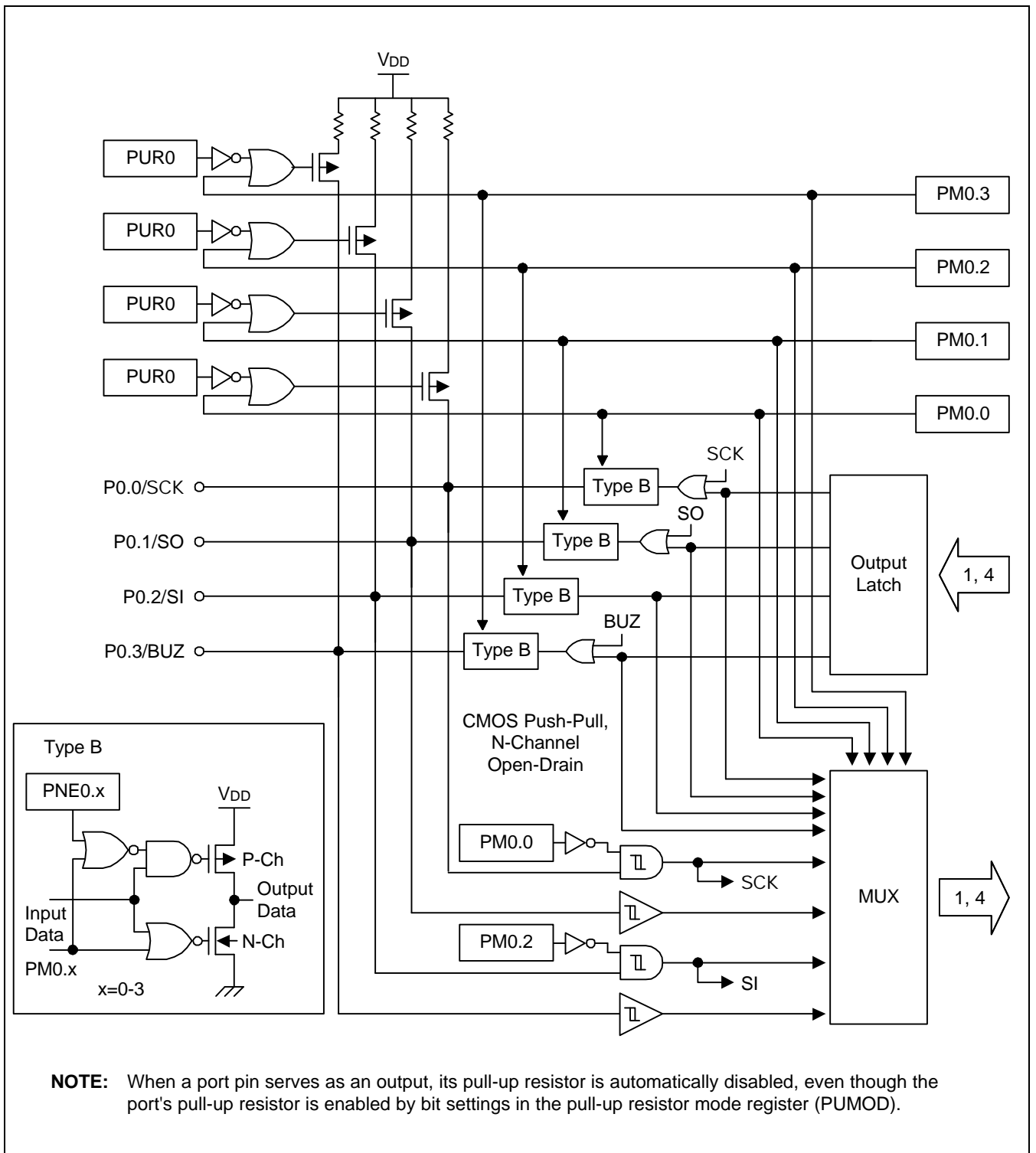


Figure 10-1. Port 0 Circuit Diagram

PORT 1 CIRCUIT DIAGRAM

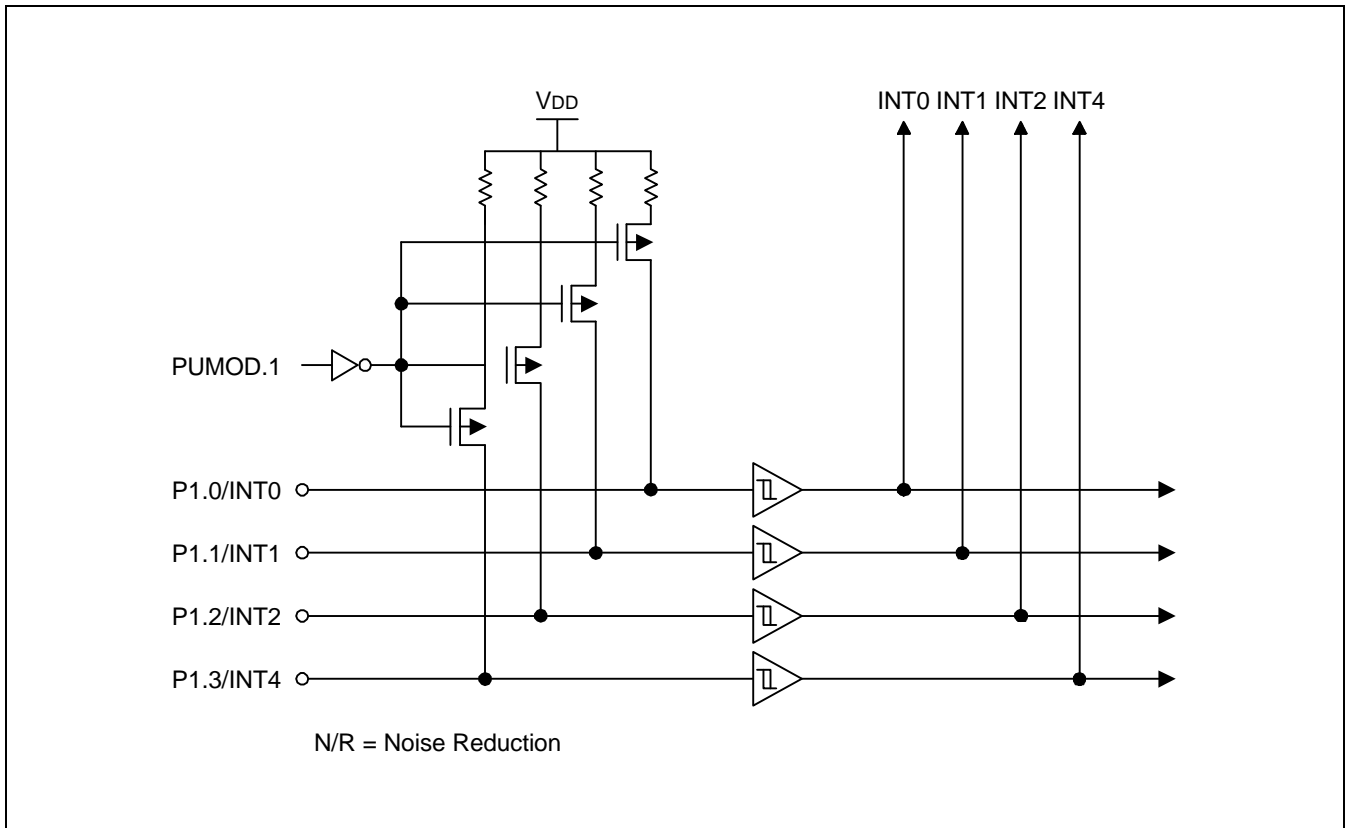


Figure 10-2. Port 1 Circuit Diagram

PORT 2 CIRCUIT DIAGRAM

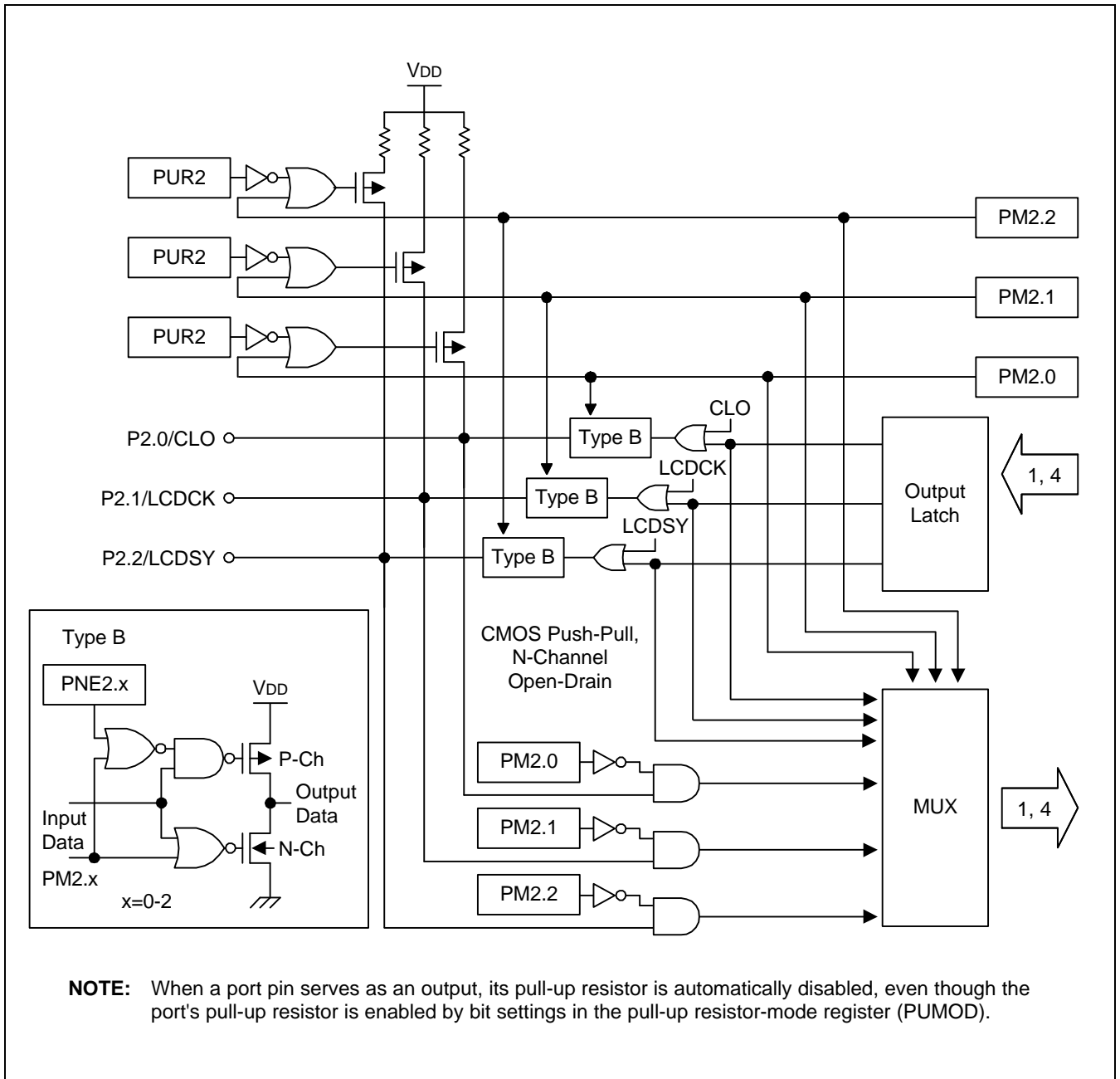


Figure 10-3. Port 2 Circuit Diagram

PORT 3 CIRCUIT DIAGRAM

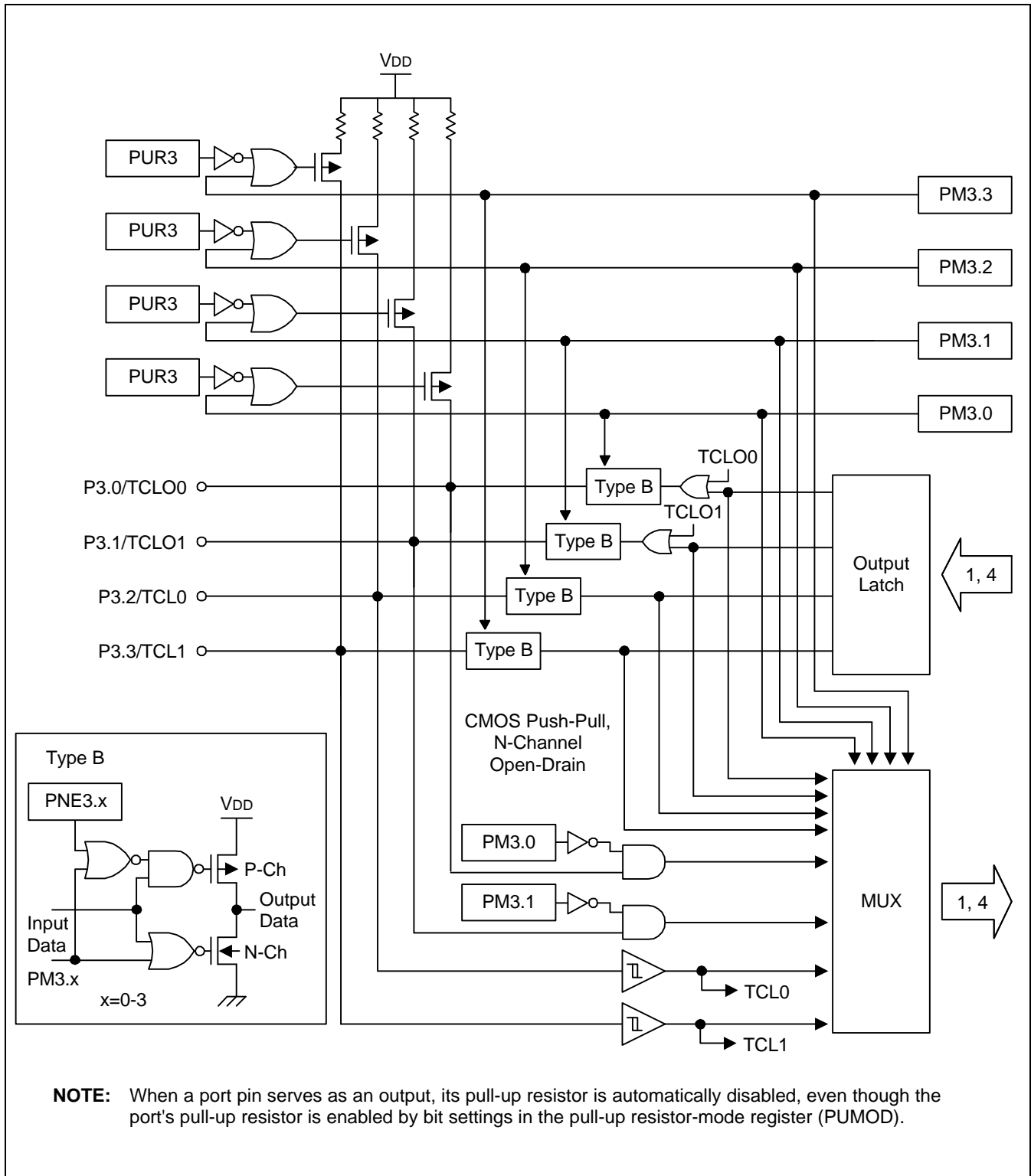


Figure 10-4. Port 3 Circuit Diagram

PORT 4, 5, 6, 7, 8, 9 CIRCUIT DIAGRAM

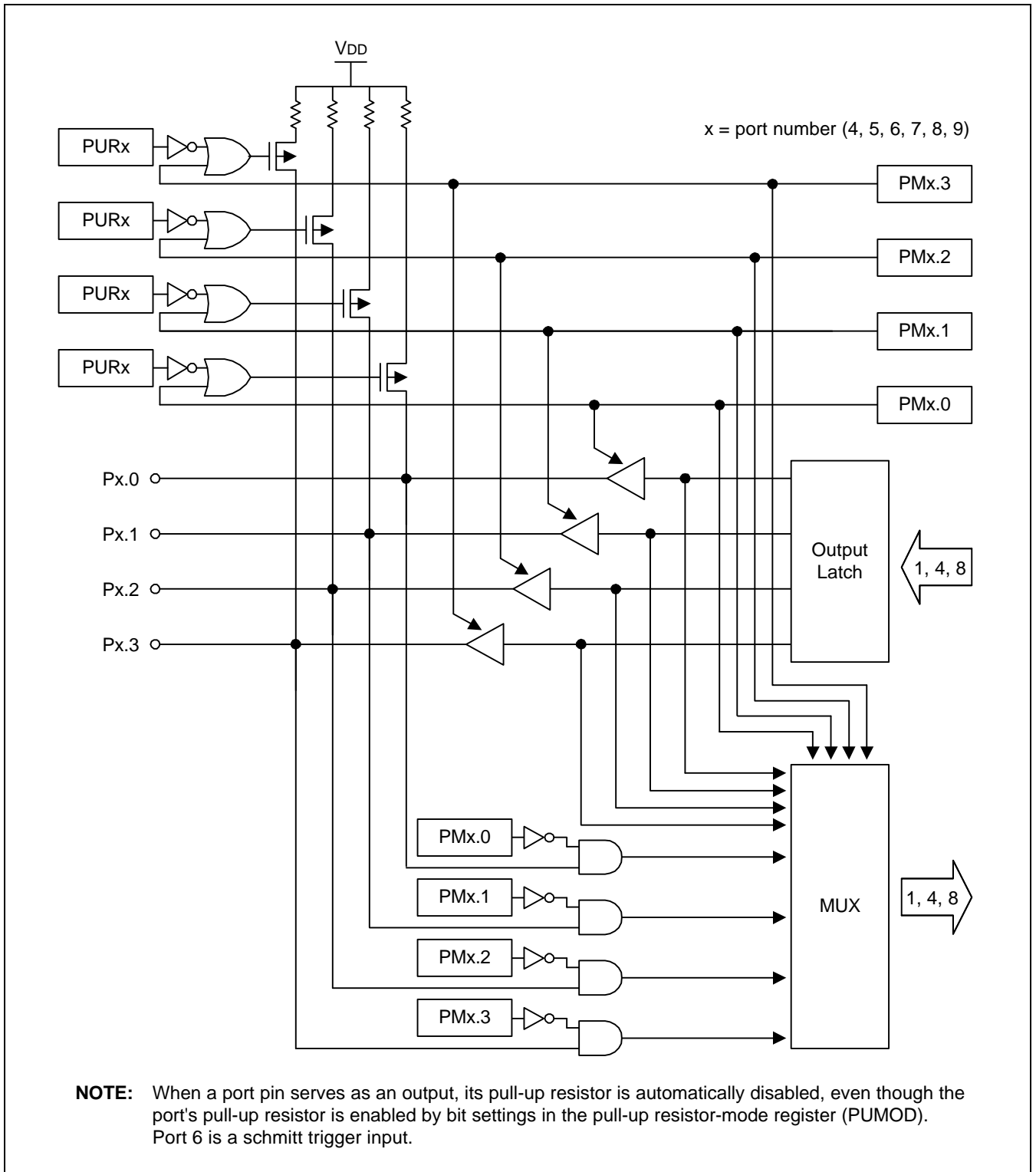


Figure 10-5. Ports 4, 5, 6, 7, 8, and 9 Circuit Diagram

11

TIMERS and TIMER/COUNTERS

OVERVIEW

The S3C72P9 microcontroller has four timer and timer/counter modules:

- 8-bit basic timer (BT)
- 8-bit timer/counter (TC0)
- 16-bit timer/counter (TC1)
- Watch timer (WT)

The 8-bit basic timer (BT) is the microcontroller's main interval timer and watch-dog timer. It generates an interrupt request at a fixed time interval when the appropriate modification is made to its mode register. The basic timer is also used to determine clock oscillation stabilization time when stop mode is released by an interrupt and after a RESET.

The 8-bit timer/counter (TC0) and the 16-bit timer/counter (TC1) are programmable timer/counters that are used primarily for event counting and for clock frequency modification and output. In addition, TC0 generates a clock signal that can be used by the serial I/O interface.

The watch timer (WT) module consists of an 8-bit watch timer mode register, a clock selector, and a frequency divider circuit. Watch timer functions include real-time and watch-time measurement, main and subsystem clock interval timing, buzzer output generation. It also generates a clock signal for the LCD controller.

BASIC TIMER (BT)

OVERVIEW

The 8-bit basic timer (BT) has six functional components:

- Clock selector logic
- 4-bit mode register (BMOD)
- 8-bit counter register (BCNT)
- 8-bit watchdog timer mode register (WDMOD)
- Watchdog timer counter clear flag (WDTCF)

The basic timer generates interrupt requests at precise intervals, based on the frequency of the system clock. You can use the basic timer as a "watchdog" timer for monitoring system events or use BT output to stabilize clock oscillation when stop mode is released by an interrupt and following RESET. Bit settings in the basic timer mode register BMOD turns the BT module on and off, selects the input clock frequency, and controls interrupt or stabilization intervals.

Interval Timer Function

The basic timer's primary function is to measure elapsed time intervals. The standard time interval is equal to 256 basic timer clock pulses.

To restart the basic timer, one bit setting is required: bit 3 of the mode register BMOD should be set to logic one. The input clock frequency and the interrupt and stabilization interval are selected by loading the appropriate bit values to BMOD.2–BMOD.0.

The 8-bit counter register, BCNT, is incremented each time a clock signal is detected that corresponds to the frequency selected by BMOD. BCNT continues incrementing as it counts BT clocks until an overflow occurs (≥ 255). An overflow causes the BT interrupt request flag (IRQB) to be set to logic one to signal that the designated time interval has elapsed. An interrupt request is then generated, BCNT is cleared to logic zero, and counting continues from 00H.

Watchdog Timer Function

The basic timer can also be used as a "watchdog" timer to signal the occurrence of system or program operation error. For this purpose, instruction that clear the watchdog timer (BITS WDTCF) should be executed at proper points in a program within given period. If an instruction that clears the watchdog timer is not executed within the given period and the watchdog timer overflows, reset signal is generated and the system restarts with reset status. An operation of watchdog timer is as follows:

- Write some values (except #5AH) to watchdog timer mode register, WDMOD.
- If WDCNT overflows, system reset is generated.

Oscillation Stabilization Interval Control

Bits 2–0 of the BMOD register are used to select the input clock frequency for the basic timer. This setting also determines the time interval (also referred to as ‘wait time’) required to stabilize clock signal oscillation when stop mode is released by an interrupt. When a RESET signal is inputted, the standard stabilization interval for system clock oscillation following the RESET is 31.3 ms at 4.19 MHz.

Table 11-1. Basic Timer Register Overview

Register Name	Type	Description	Size	RAM Address	Addressing Mode	Reset Value
BMOD	Control	Controls the clock frequency (mode) of the basic timer; also, the oscillation stabilization interval after stop mode release or RESET	4-bit	F85H	4-bit write-only; BMOD.3: 1-bit writeable	"0"
BCNT	Counter	Counts clock pulses matching the BMOD frequency setting	8-bit	F86H–F87H	8-bit read-only	U ^(note)
WDMOD	Control	Controls watchdog timer operation.	8-bit	F98H–F99H	8-bit write-only	A5H
WDTCF	Control	Clears the watchdog timer's counter.	1-bit	F9AH.3	1-, 4-bit write	"0"

NOTE: 'U' means the value is undetermined after a RESET.

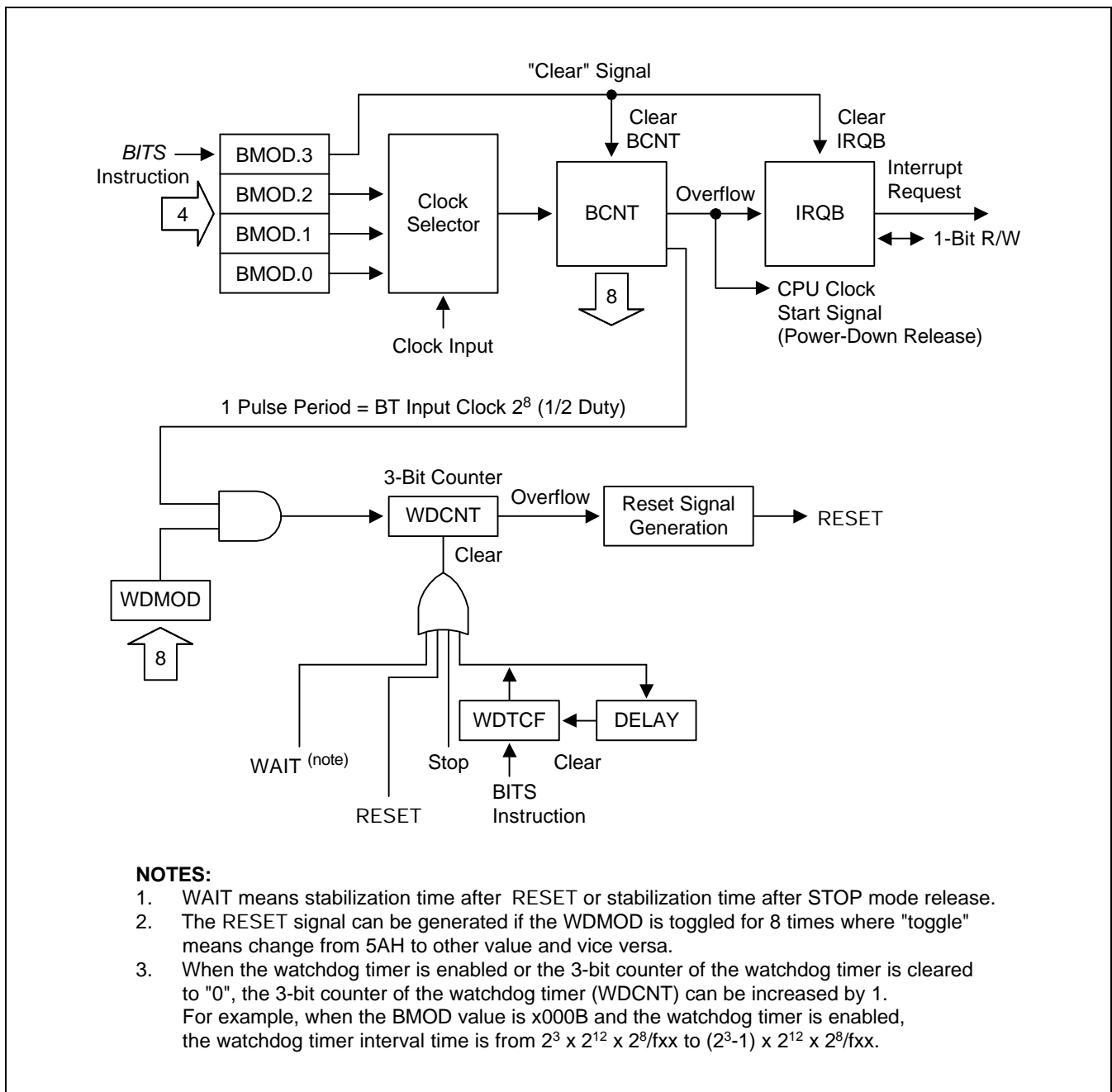


Figure 11-1. Basic Timer Circuit Diagram

BASIC TIMER MODE REGISTER (BMOD)

The basic timer mode register, BMOD, is a 4-bit write-only register. Bit 3, the basic timer start control bit, is also 1-bit addressable. All BMOD values are set to logic zero following RESET and interrupt request signal generation is set to the longest interval. (BT counter operation cannot be stopped.) BMOD settings have the following effects:

- Restart the basic timer;
- Control the frequency of clock signal input to the basic timer;
- Determine time interval required for clock oscillation to stabilize following the release of stop mode by an interrupt.

By loading different values into the BMOD register, you can dynamically modify the basic timer clock frequency during program execution. Four BT frequencies, ranging from $f_{xx}/2^{12}$ to $f_{xx}/2^5$, are selectable. Since BMOD's reset value is logic zero, the default clock frequency setting is $f_{xx}/2^{12}$.

The most significant bit of the BMOD register, BMOD.3, is used to restart the basic timer. When BMOD.3 is set to logic one by a 1-bit write instruction, the contents of the BT counter register (BCNT) and the BT interrupt request flag (IRQB) are both cleared to logic zero, and timer operation restarts.

The combination of bit settings in the remaining three registers — BMOD.2, BMOD.1, and BMOD.0 — determine the clock input frequency and oscillation stabilization interval.

Table 11-2. Basic Timer Mode Register (BMOD) Organization

BMOD.3			Basic Timer Start Control Bit	
1			Start basic timer; clear IRQB, BCNT, and BMOD.3 to "0"	

BMOD.2	BMOD.1	BMOD.0	Basic Timer Input Clock	Interrupt Interval Time (Wait Time)
0	0	0	$f_{xx}/2^{12}$ (1.02 kHz)	$2^{20}/f_{xx}$ (250 ms)
0	1	1	$f_{xx}/2^9$ (8.18 kHz)	$2^{17}/f_{xx}$ (31.3 ms)
1	0	1	$f_{xx}/2^7$ (32.7 kHz)	$2^{15}/f_{xx}$ (7.82 ms)
1	1	1	$f_{xx}/2^5$ (131 kHz)	$2^{13}/f_{xx}$ (1.95 ms)

NOTES

1. Clock frequencies and interrupt interval time assume a system oscillator clock frequency (f_{xx}) of 4.19 MHz.
2. f_{xx} = system clock frequency.
3. Wait time is the time required to stabilize clock signal oscillation after stop mode is released. The data in the table column "Interrupt Interval Time" can also be interpreted as "Oscillation Stabilization."
4. The standard stabilization time for system clock oscillation following a RESET is 31.3 ms at 4.19 MHz.

BASIC TIMER COUNTER (BCNT)

BCNT is an 8-bit counter for the basic timer. It can be addressed by 8-bit read instructions. RESET leaves the BCNT counter value undetermined. BCNT is automatically cleared to logic zero whenever the BMOD register control bit (BMOD.3) is set to "1" to restart the basic timer. It is incremented each time a clock pulse of the frequency determined by the current BMOD bit settings is detected.

When BCNT has incrementing to hexadecimal 'FFH' (≥ 255 clock pulses), it is cleared to '00H' and an overflow is generated. The overflow causes the interrupt request flag, IRQB, to be set to logic one. When the interrupt request is generated, BCNT immediately resumes counting incoming clock signals.

NOTE

Always execute a BCNT read operation twice to eliminate the possibility of reading unstable data while the counter is incrementing. If, after two consecutive reads, the BCNT values match, you can select the latter value as valid data. Until the results of the consecutive reads match, however, the read operation must be repeated until the validation condition is met.

BASIC TIMER OPERATION SEQUENCE

The basic timer's sequence of operations may be summarized as follows:

1. Set BMOD.3 to logic one to restart the basic timer.
2. BCNT is then incremented by one after each clock pulse corresponding to BMOD selection.
3. BCNT overflows if BCNT = 255 (BCNT = FFH).
4. When an overflow occurs, the IRQB flag is set by hardware to logic one.
5. The interrupt request is generated.
6. BCNT is then cleared by hardware to logic zero.
7. Basic timer resumes counting clock pulses.

PROGRAMMING TIP — Using the Basic Timer

1. To read the basic timer count register (BCNT):

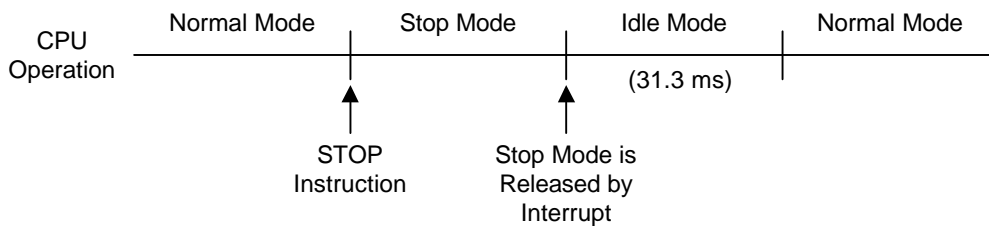
```

        BITS      EMB
        SMB      15
BCNTR  LD      EA,BCNT
        LD      YZ,EA
        LD      EA,BCNT
        CPSE   EA,YZ
        JR      BCNTR
    
```

2. When stop mode is released by an interrupt, set the oscillation stabilization interval to 31.3 ms:

```

        BITS      EMB
        SMB      15
        LD      A,#0BH
        LD      BMOD,A           ; Wait time is 31.3 ms
        NOP
        STOP                    ; Set stop power-down mode
        NOP
        NOP
        NOP
    
```



3. To set the basic timer interrupt interval time to 1.95 ms (at 4.19 MHz):

```

        BITS      EMB
        SMB      15
        LD      A,#0FH
        LD      BMOD,A
        EI
        BITS      IEB           ; Basic timer interrupt enable flag is set to "1"
    
```

4. Clear BCNT and the IRQB flag and restart the basic timer:

```

        BITS      EMB
        SMB      15
        BITS      BMOD.3
    
```

WATCHDOG TIMER MODE REGISTER (WDMOD)

The watchdog timer mode register, WDMOD, is a 8-bit write-only register. WDMOD register controls to enable or disable the watchdog function. WDMOD values are set to logic "A5H" following RESET and this value enables the watchdog timer. Watchdog timer is set to the longest interval because BT overflow signal is generated with the longest interval.

WDMOD	Watchdog Timer Enable/Disable Control
5AH	Disable watchdog timer function
Any other value	Enable watchdog timer function

WATCHDOG TIMER COUNTER (WDCNT)

The watchdog timer counter, WDCNT, is a 3-bit counter. WDCNT is automatically cleared to logic zero, and restarts whenever the WDTCF register control bit is set to "1". RESET, stop, and wait signal clears the WDCNT to logic zero also.

WDCNT increments each time a clock pulse of the overflow frequency determined by the current BMOD bit setting is generated. When WDCNT has incremented to hexadecimal '07H', it is cleared to '00H' and an overflow is generated. The overflow causes the system RESET. When the interrupt request is generated, BCNT immediately resumes counting incoming clock signals.

WATCHDOG TIMER COUNTER CLEAR FLAG (WDTCF)


The watchdog timer counter clear flag, WDTCF, is a 1-bit write instruction. When WDTCF is set to one, it clears the WDCNT to zero and restarts the WDCNT. WDTCF register bits 2–0 are always logic zero.

Table 11-3. Watchdog Timer Interval Time

BMOD	BT Input Clock	WDT Interval Time ⁽³⁾	
x000b	$f_{xx}/2^{12}$	$2^3 \times 2^{12} \times 2^8/f_{xx}$ or $(2^3-1) \times 2^{12} \times 2^8/f_{xx}$	1.75–2.0 sec
x011b	$f_{xx}/2^9$	$2^3 \times 2^9 \times 2^8/f_{xx}$ or $(2^3-1) \times 2^9 \times 2^8/f_{xx}$	218.7–250 ms
x101b	$f_{xx}/2^7$	$2^3 \times 2^7 \times 2^8/f_{xx}$ or $(2^3-1) \times 2^7 \times 2^8/f_{xx}$	54.6–62.5ms
x111b	$f_{xx}/2^5$	$2^3 \times 2^5 \times 2^8/f_{xx}$ or $(2^3-1) \times 2^5 \times 2^8/f_{xx}$	13.6–15.6 ms

NOTES:

1. Clock frequencies assume a system oscillator clock frequency (fx) of 4.19 MHz
2. f_{xx} = system clock frequency.
3. When the watchdog timer is enabled or the 3-bit counter of the watchdog timer is cleared to '0', the BCNT value is not cleared but increased continuously. As a result, the 3-bit counter of the watchdog timer (WDCNT) can be increased by 1. For example, when the BMOD value is x000b and the watchdog timer is enabled, the watchdog timer interval time is either $2^3 \times 2^{12} \times 2^8/f_{xx}$ or $(2^3-1) \times 2^{12} \times 2^8/f_{xx}$.

 **PROGRAMMING TIP — Using the Watchdog Timer**

```

RESET      DI
           LD      EA,#00H
           LD      SP,EA
           .
           .
           .
           LD      A,#0DH          ; WDCNT input clock is 7.82 ms
           LD      BMOD,A
           .
           .
           .
MAIN       BITS      WDTCF          ; Main routine operation period must be shorter than
           .                  ; watchdog-timer's period
           .
           .
           JP      MAIN

```

8-BIT TIMER/COUNTER 0 (TC0)

OVERVIEW

Timer/counter 0 (TC0) is used to count system 'events' by identifying the transition (high-to-low or low-to-high) of incoming square wave signals. To indicate that an event has occurred, or that a specified time interval has elapsed, TC0 generates an interrupt request. By counting signal transitions and comparing the current counter value with the reference register value, TC0 can be used to measure specific time intervals.

TC0 has a reloadable counter that consists of two parts: an 8-bit reference register (TREF0) into which you write the counter reference value, and an 8-bit counter register (TCNT0) whose value is automatically incremented by counter logic.

An 8-bit mode register, TMOD0, is used to activate the timer/counter and to select the basic clock frequency to be used for timer/counter operations. To dynamically modify the basic frequency, new values can be loaded into the TMOD0 register during program execution.

TC0 FUNCTION SUMMARY

8-bit programmable timer	Generates interrupts at specific time intervals based on the selected clock frequency.
External event counter	Counts various system "events" based on edge detection of external clock signals at the TC0 input pin, TCL0. To start the event counting operation, TMOD0.2 is set to "1" and TMOD0.6 is cleared to "0".
Arbitrary frequency output	Outputs selectable clock frequencies to the TC0 output pin, TCLO0.
External signal divider	Divides the frequency of an incoming external clock signal according to a modifiable reference value (TREF0), and outputs the modified frequency to the TCLO0 pin.
Serial I/O clock source	Outputs a modifiable clock signal for use as the SCK clock source.

TC0 COMPONENT SUMMARY

Mode register (TMOD0)	Activates the timer/counter and selects the internal clock frequency or the external clock source at the TCLO pin.
Reference register (TREF0)	Stores the reference value for the desired number of clock pulses between interrupt requests.
Counter register (TCNT0)	Counts internal or external clock pulses based on the bit settings in TMOD0 and TREF0.
Clock selector circuit	Together with the mode register (TMOD0), lets you select one of four internal clock frequencies or an external clock.
8-bit comparator	Determines when to generate an interrupt by comparing the current value of the counter register (TCNT0) with the reference value previously programmed into the reference register (TREF0).
Output latch (TOL0)	Where a clock pulse is stored pending output to the serial I/O circuit or to the TC0 output pin, TCLO0. When the contents of the TCNT0 and TREF0 registers coincide, the timer/counter interrupt request flag (IRQT0) is set to "1", the status of TOL0 is inverted, and an interrupt is generated.
Output enable flag (TOE0)	Must be set to logic one before the contents of the TOL0 latch can be output to TCLO0.
Interrupt request flag (IRQT0)	Cleared when TC0 operation starts and the TC0 interrupt service routine is executed and set to 1 whenever the counter value and reference value coincide.
Interrupt enable flag (IET0)	Must be set to logic one before the interrupt requests generated by timer/counter 0 can be processed.

Table 11-4. TC0 Register Overview

Register Name	Type	Description	Size	RAM Address	Addressing Mode	Reset Value
TMOD0	Control	Controls TC0 enable/disable (bit 2); clears and resumes counting operation (bit 3); sets input clock and clock frequency (bits 6–4)	8-bit	F90H–F91H	8-bit write-only; (TMOD0.3 is also 1-bit writeable)	"0"
TCNT0	Counter	Counts clock pulses matching the TMOD0 frequency setting	8-bit	F94H–F95H	8-bit read-only	"0"
TREF0	Reference	Stores reference value for the timer/counter 0 interval setting	8-bit	F96H–F97H	8-bit write-only	FFH
TOE0	Flag	Controls timer/counter 0 output to the TCLO0 pin	1-bit	F92H.2	1/4-bit read/write	"0"

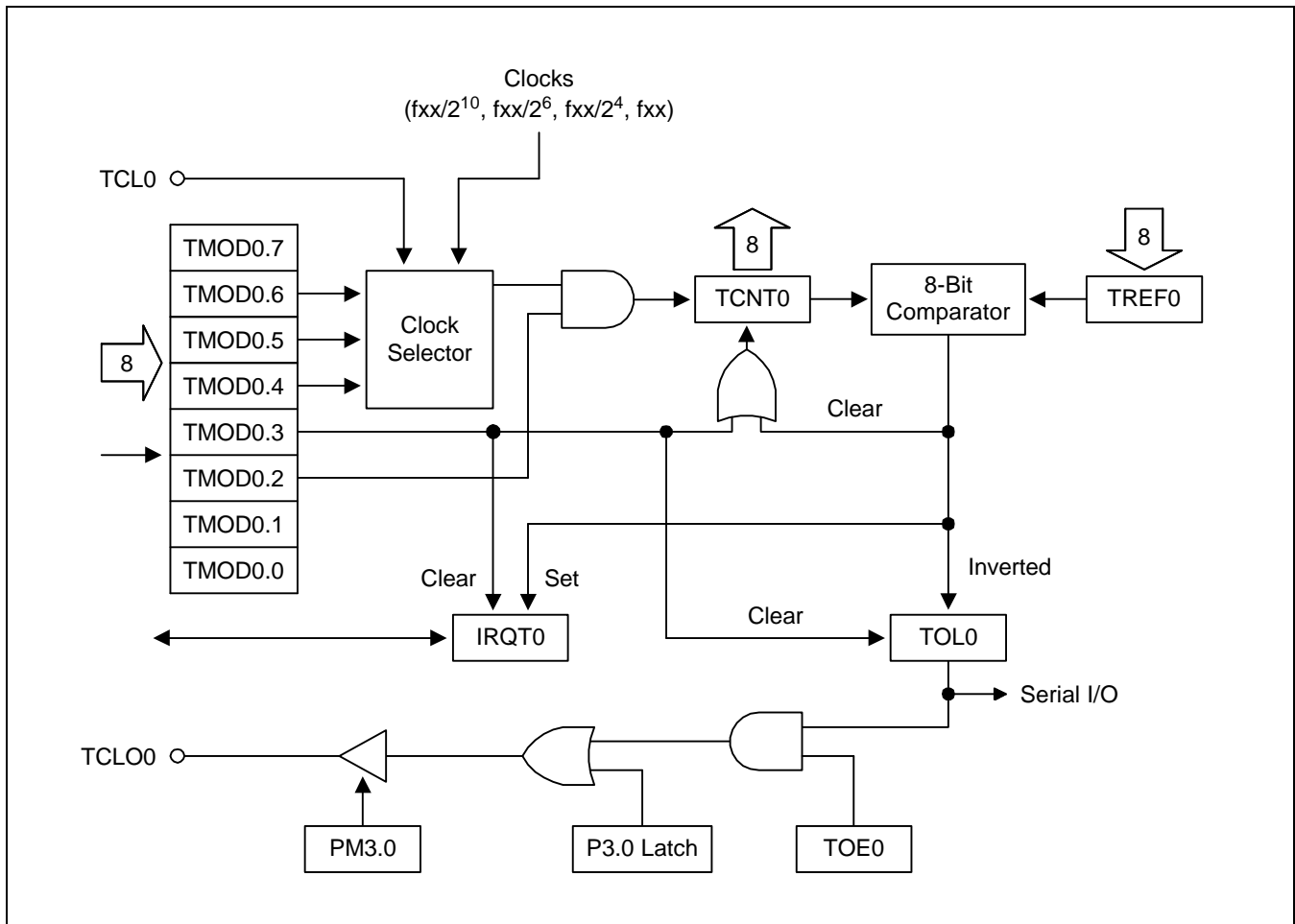


Figure 11-2. TC0 Circuit Diagram

TC0 ENABLE/DISABLE PROCEDURE

Enable Timer/Counter 0

- Set TMODE0.2 to logic one.
- Set the TC0 interrupt enable flag IET0 to logic one.
- Set TMODE0.3 to logic one.

TCNT0, IRQT0, and TOL0 are cleared to logic zero, and timer/counter operation starts.

Disable Timer/Counter 0

- Set TMODE0.2 to logic zero.

Clock signal input to the counter register TCNT0 is halted. The current TCNT0 value is retained and can be read if necessary.

TC0 PROGRAMMABLE TIMER/COUNTER FUNCTION

Timer/counter 0 can be programmed to generate interrupt requests at various intervals based on the selected system clock frequency. Its 8-bit TC0 mode register TMOD0 is used to activate the timer/counter and to select the clock frequency. The reference register TREF0 stores the value for the number of clock pulses to be generated between interrupt requests. The counter register, TCNT0, counts the incoming clock pulses, which are compared to the TREF0 value as TCNT0 is incremented. When there is a match ($TREF0 = TCNT0$), an interrupt request is generated.

To program timer/counter 0 to generate interrupt requests at specific intervals, choose one of four internal clock frequencies (divisions of the system clock, f_{xx}) and load a counter reference value into the TREF0 register. TCNT0 is incremented each time an internal counter pulse is detected with the reference clock frequency specified by TMOD0.4–TMOD0.6 settings. To generate an interrupt request, the TC0 interrupt request flag (IRQT0) is set to logic one, the status of TOL0 is inverted, and the interrupt is generated. The content of TCNT0 is then cleared to 00H and TC0 continues counting. The interrupt request mechanism for TC0 includes an interrupt enable flag (IET0) and an interrupt request flag (IRQT0).

TC0 OPERATION SEQUENCE

The general sequence of operations for using TC0 can be summarized as follows:

1. Set TMOD0.2 to "1" to enable TC0.
2. Set TMOD0.6 to "1" to enable the system clock (f_{xx}) input.
3. Set TMOD0.5 and TMOD0.4 bits to desired internal frequency ($f_{xx}/2^n$).
4. Load a value to TREF0 to specify the interval between interrupt requests.
5. Set the TC0 interrupt enable flag (IET0) to "1".
6. Set TMOD0.3 bit to "1" to clear TCNT0, IRQT0, and TOL0, and start counting.
7. TCNT0 increments with each internal clock pulse.
8. When the comparator shows $TCNT0 = TREF0$, the IRQT0 flag is set to "1" and an interrupt request is generated.
9. Output latch (TOL0) logic toggles high or low.
10. TCNT0 is cleared to 00H and counting resumes.
11. Programmable timer/counter operation continues until TMOD0.2 is cleared to "0".

TC0 EVENT COUNTER FUNCTION

Timer/counter 0 can monitor or detect system 'events' by using the external clock input at the TCL0 pin as the counter source. The TC0 mode register selects rising or falling edge detection for incoming clock signals. The counter register TCNT0 is incremented each time the selected state transition of the external clock signal occurs.

With the exception of the different TMOD0.4–TMOD0.6 settings, the operation sequence for TC0's event counter function is identical to its programmable timer/counter function. To activate the TC0 event counter function,

- Set TMOD0.2 to "1" to enable TC0.
- Clear TMOD0.6 to "0" to select the external clock source at the TCL0 pin.
- Select TCL0 edge detection for rising or falling signal edges by loading the appropriate values to TMOD0.5 and TMOD0.4.
- P3.2 must be set to input mode.

Table 11-5. TMOD0 Settings for TCL0 Edge Detection

TMOD0.5	TMOD0.4	TCL0 Edge Detection
0	0	Rising edges
0	1	Falling edges

TC0 CLOCK FREQUENCY OUTPUT

Using timer/counter 0, a modifiable clock frequency can be output to the TC0 clock output pin, TCLO0. To select the clock frequency, load the appropriate values to the TC0 mode register, TMOD0. The clock interval is selected by loading the desired reference value into the reference register TREF0. To enable the output to the TCLO0 pin, the following conditions must be met:

- TC0 output enable flag TOE0 must be set to "1".
- I/O mode flag for P3.0 (PM3.0) must be set to output mode ("1").
- Output latch value for P3.0 must be set to "0".

In summary, the operational sequence required to output a TC0-generated clock signal to the TCLO0 pin is as follows:

1. Load a reference value to TREF0.
2. Set the internal clock frequency in TMOD0.
3. Initiate TC0 clock output to TCLO0 (TMOD0.2 = "1").
4. Set P3.0 mode flag (PM3.0) to "1".
5. Set P3.0 output latch to "0".
6. Set TOE0 flag to "1".

Each time TCNT0 overflows and an interrupt request is generated, the state of the output latch TOL0 is inverted and the TC0-generated clock signal is output to the TCLO0 pin.

PROGRAMMING TIP — TC0 Signal Output to the TCLO0 Pin

Output a 30 ms pulse width signal to the TCLO0 pin:

BITS	EMB	
SMB	15	
LD	EA,#79H	
LD	TREF0,EA	
LD	EA,#4CH	
LD	TMOD0,EA	
LD	EA,#01H	
LD	PMG2,EA	; P3.0 ← output mode
BITR	P3.0	; P3.0 clear
BITS	TOE0	

TC0 SERIAL I/O CLOCK GENERATION

Timer/counter 0 can supply a clock signal to the clock selector circuit of the serial I/O interface for data shifter and clock counter operations. (These internal SIO operations are controlled in turn by the SIO mode register, SMOD). This clock generation function enables you to adjust data transmission rates across the serial interface.

Use TMOD0 and TREF0 register settings to select the frequency and interval of the TC0 clock signals to be used as SCK input to the serial interface. The generated clock signal is then sent directly to the serial I/O clock selector circuit (the TOE0 flag may be disabled).

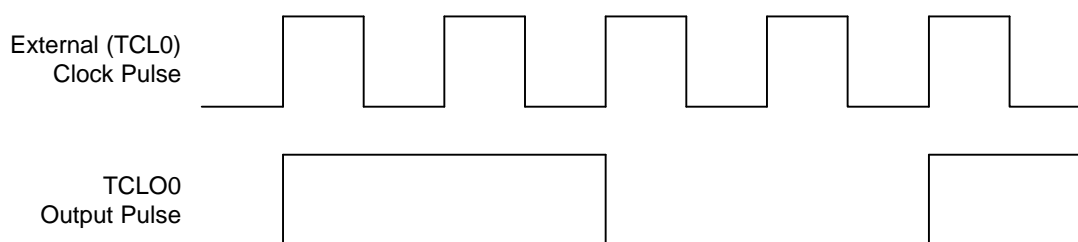
TC0 EXTERNAL INPUT SIGNAL DIVIDER

By selecting an external clock source and loading a reference value into the TC0 reference register, TREF0, you can divide the incoming clock signal by the TREF0 value and then output this modified clock frequency to the TCLO0 pin. The sequence of operations used to divide external clock input can be summarized as follows:

1. Load a signal divider value to the TREF0 register.
2. Clear TMOD0.6 to "0" to enable external clock input at the TCL0 pin.
3. Set TMOD0.5 and TMOD0.4 to desired TCL0 signal edge detection.
4. Set port 3.0 mode flag (PM3.0) to output ("1").
5. Set P3.0 output latch to "0".
6. Set TOE0 flag to "1" to enable output of the divided frequency to the TCLO0 pin.

PROGRAMMING TIP — External TCL0 Clock Output to the TCLO0 Pin

Output external TCL0 clock pulse to the TCLO0 pin (divided by four):



```

BITS      EMB
SMB       15
LD        EA,#01H
LD        TREF0,EA
LD        EA,#0CH
LD        TMOD0,EA
LD        EA,#01H
LD        PMG2,EA      ; P3.0 ← output mode
BITR      P3.0         ; P3.0 clear
BITS      TOE0

```

TC0 MODE REGISTER (TMOD0)

TMOD0 is the 8-bit mode control register for timer/counter 0. It is addressable by 8-bit write instructions. One bit, TMOD0.3, is also 1-bit writeable. RESET clears all TMOD0 bits to logic zero and disables TC0 operations.

F90H	TMOD0.3	TMOD0.2	"0"	"0"
F91H	"0"	TMOD0.6	TMOD0.5	TMOD0.4

TMOD0.2 is the enable/disable bit for timer/counter 0. When TMOD0.3 is set to "1", the contents of TCNT0, IRQT0, and TOL0 are cleared, counting starts from 00H, and TMOD0.3 is automatically reset to "0" for normal TC0 operation. When TC0 operation stops (TMOD0.2 = "0"), the contents of the TC0 counter register TCNT0 are retained until TC0 is re-enabled.

The TMOD0.6, TMOD0.5, and TMOD0.4 bit settings are used together to select the TC0 clock source. This selection involves two variables:

- Synchronization of timer/counter operations with either the rising edge or the falling edge of the clock signal input at the TCL0 pin, and
- Selection of one of four frequencies, based on division of the incoming system clock frequency, for use in internal TC0 operation.

Table 11-6. TC0 Mode Register (TMOD0) Organization

Bit Name	Setting	Resulting TC0 Function	Address
TMOD0.7	0	Always logic zero	F91H
TMOD0.6	0,1	Specify input clock edge and internal frequency	
TMOD0.5			
TMOD0.4			
TMOD0.3	1	Clear TCNT0, IRQT0, and TOL0 and resume counting immediately (This bit is automatically cleared to logic zero immediately after counting resumes.)	F90H
TMOD0.2	0	Disable timer/counter 0; retain TCNT0 contents	
	1	Enable timer/counter 0	
TMOD0.1	0	Always logic zero	
TMOD0.0	0	Always logic zero	

Table 11-7. TMOD0.6, TMOD0.5, and TMOD0.4 Bit Settings

TMOD0.6	TMOD0.5	TMOD0.4	Resulting Counter Source and Clock Frequency
0	0	0	External clock input (TCL0) on rising edges
0	0	1	External clock input (TCL0) on falling edges
1	0	0	$f_{xx}/2^{10}$ (4.09 kHz)
1	0	1	$f_{xx}/2^6$ (65.5 kHz)
1	1	0	$f_{xx}/2^4$ (262 kHz)
1	1	1	f_{xx} (4.19 MHz)

NOTE: 'fxx' = selected system clock of 4.19 MHz.

PROGRAMMING TIP — Restarting TC0 Counting Operation

1. Set TC0 timer interval to 4.09 kHz:

```

BITS      EMB
SMB       15
LD        EA,#4CH
LD        TMOD0,EA
EI
BITS      IET0

```

2. Clear TCNT0, IRQT0, and TOL0 and restart TC0 counting operation:

```

BITS      EMB
SMB       15
BITS      TMOD0.3

```

TC0 COUNTER REGISTER (TCNT0)

The 8-bit counter register for timer/counter 0, TCNT0, is read-only and can be addressed by 8-bit RAM control instructions. RESET sets all TCNT0 register values to logic zero (00H).

Whenever TMOD0.3 is enabled, TCNT0 is cleared to logic zero and counting resumes. The TCNT0 register value is incremented each time an incoming clock signal is detected that matches the signal edge and frequency setting of the TMOD0 register (specifically, TMOD0.6, TMOD0.5, and TMOD0.4).

Each time TCNT0 is incremented, the new value is compared to the reference value stored in the TC0 reference buffer, TREF0. When TCNT0 = TREF0, an overflow occurs in the TCNT0 register, the interrupt request flag, IRQT0, is set to logic one, and an interrupt request is generated to indicate that the specified timer/counter interval has elapsed.

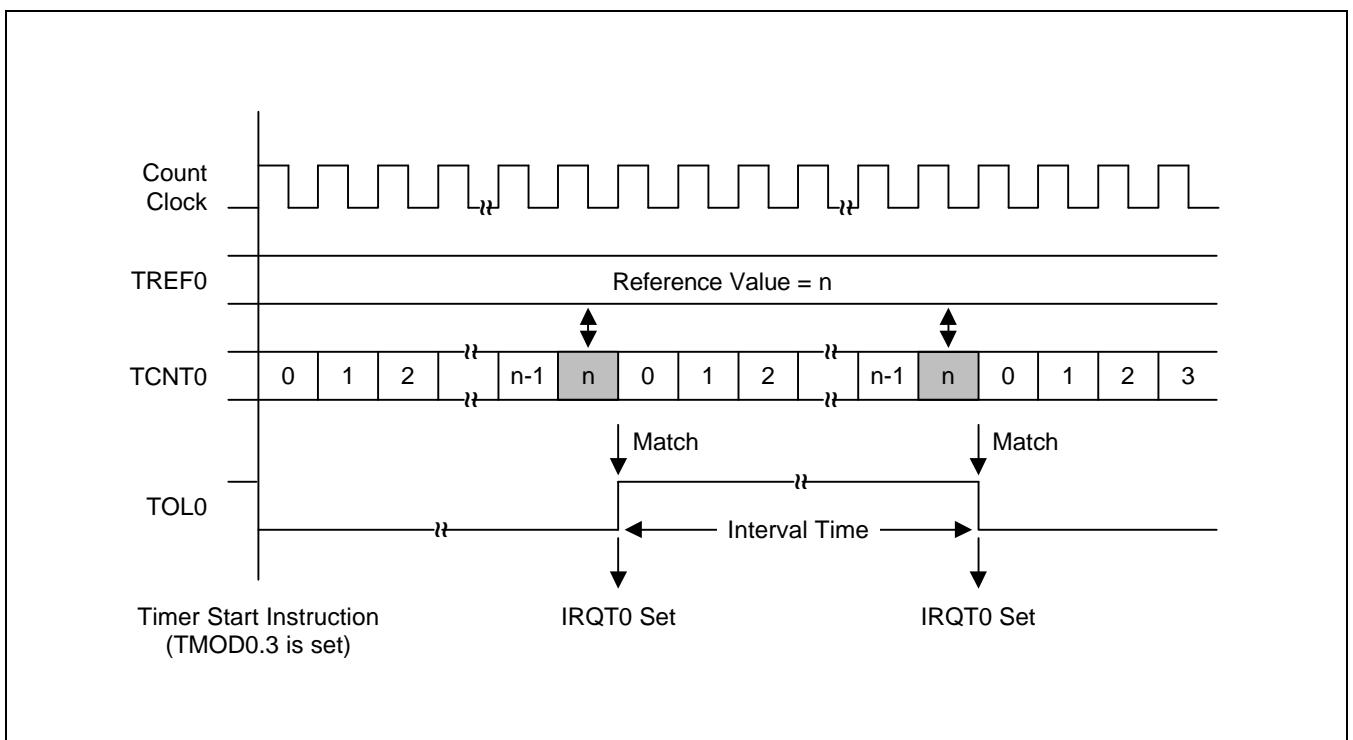


Figure 11-3. TC0 Timing Diagram

TC0 REFERENCE REGISTER (TREF0)

The TC0 reference register TREF0 is an 8-bit write-only register. It is addressable by 8-bit RAM control instructions. RESET initializes the TREF0 value to 'FFH'.

TREF0 is used to store a reference value to be compared to the incrementing TCNT0 register in order to identify an elapsed time interval. Reference values will differ depending upon the specific function that TC0 is being used to perform — as a programmable timer/counter, event counter, clock signal divider, or arbitrary frequency output source.

During timer/counter operation, the value loaded into the reference register is compared to the TCNT0 value. When $TCNT0 = TREF0$, the TC0 output latch (TOL0) is inverted and an interrupt request is generated to signal the interval or event. The TREF0 value, together with the TMOD0 clock frequency selection, determines the specific TC0 timer interval. Use the following formula to calculate the correct value to load to the TREF0 reference register:

$$TC0 \text{ timer interval} = (TREF0 \text{ value} + 1) \times \frac{1}{TMOD0 \text{ frequency setting}}$$

(TREF0 value \neq 0)

TC0 OUTPUT ENABLE FLAG (TOE0)

The 1-bit timer/counter 0 output enable flag TOE0 controls output from timer/counter 0 to the TCLO0 pin. TOE0 is addressable by 1-bit read and write instructions.

	(MSB)			(LSB)
F92H	TOE1	TOE0	"U"	"0"


NOTE: The "U" means that the bit is undefined.

When you set the TOE0 flag to "1", the contents of TOL0 can be output to the TCLO0 pin. Whenever a RESET occurs, TOE0 is automatically set to logic zero, disabling all TC0 output. Even when the TOE0 flag is disabled, timer/counter 0 can continue to output an internally-generated clock frequency, via TOL0, to the serial I/O clock selector circuit.

TC0 OUTPUT LATCH (TOL0)

TOL0 is the output latch for timer/counter 0. When the 8-bit comparator detects a correspondence between the value of the counter register TCNT0 and the reference value stored in the TREF0 register, the TOL0 value is inverted — the latch toggles high-to-low or low-to-high. Whenever the state of TOL0 is switched, the TC0 signal is output. TC0 output may be directed to the TCLO0 pin, or it can be output directly to the serial I/O clock selector circuit as the SCK signal.

Assuming TC0 is enabled, when bit 3 of the TMOD0 register is set to "1", the TOL0 latch is cleared to logic zero, along with the counter register TCNT0 and the interrupt request flag, IRQT0, and counting resumes immediately. When TC0 is disabled ($TMOD0.2 = "0"$), the contents of the TOL0 latch are retained and can be read, if necessary.

 **PROGRAMMING TIP — Setting a TC0 Timer Interval**

To set a 30 ms timer interval for TC0, given $f_{xx} = 4.19 \text{ MHz}$, follow these steps.

1. Select the timer/counter 0 mode register with a maximum setup time of 62.5 ms (assume the TC0 counter clock = $f_{xx}/2^{10}$, and TREF0 is set to FFH):
2. Calculate the TREF0 value:

$$30 \text{ ms} = \frac{\text{TREF0 value} + 1}{4.09 \text{ kHz}}$$

$$\text{TREF0} + 1 = \frac{30 \text{ ms}}{244 \mu\text{s}} = 122.9 = 7\text{AH}$$

$$\text{TREF0 value} = 7\text{AH} - 1 = 79\text{H}$$

3. Load the value 79H to the TREF0 register:

BITS	EMB
SMB	15
LD	EA,#79H
LD	TREF0,EA
LD	EA,#4CH
LD	TMOD0,EA

16-BIT TIMER/COUNTER

OVERVIEW

Timer/counter 1 (TC1) is used to count system 'events' by identifying the transition (high-to-low or low-to-high) of incoming square wave signals. To indicate that an event has occurred, or that a specified time interval has elapsed, TC1 generates an interrupt request. By counting signal transitions, it can be used to measure time intervals. The TC1 circuit also has 16-bit comparator logic.

TC1 has a reloadable counter that consists of two parts: a 16-bit reference register (TREF1) into which you can write data for use as a reference value, and a 16-bit counter register (TCNT1) whose contents are automatically incremented by counter logic.

The 8-bit mode register, TMOD1, is used to activate the timer/counter and to select the basic clock frequency to be used for timer/counter operations. You can modify the basic frequency dynamically by loading new values into TMOD1 during program execution.

The only functional differences between TC0 and TC1 are the size of the counter and reference value registers (8-bit versus 16-bit), and the fact that only TC0 can generate a clock signal for the serial I/O interface.

TIMER/COUNTER 1 FUNCTION SUMMARY

16-bit programmable timer	Generates interrupts at specific time intervals based on the selected clock frequency.
External event counter	Counts various system "events" based on edge detection of external clock signals at the TC1 input pin, TCL1.
Arbitrary frequency output	Outputs selectable clock frequencies to the TC1 output pin, TCLO1.
External signal divider	Divides the frequency of an incoming external clock signal according to the modifiable reference value (TREF1), and outputs the modified frequency to the TCLO1 pin.

TIMER/COUNTER 1 COMPONENT SUMMARY

Mode register (TMOD1)	Activates the timer/counter and selects the internal clock frequency or the external clock source at the TCL1 pin.
Reference register (TREF1)	Stores the reference value for the desired number of clock pulses between interrupt requests.
Counter register (TCNT1)	Counts internal clock pulses that are generated based on bit settings in the mode register and reference register.
Clock selector circuit	Together with the mode register (TMOD1), lets you select one of four internal clock frequencies, or the external system clock source.
16-bit comparator	Determines when to generate an interrupt by comparing the current value of the counter (TCNT1) with the reference value previously programmed into the reference register (TREF1).
Output latch (TOL1)	Where a TC1 clock pulse is stored pending output to the TC1 output pin, TCLO1. When the contents of the TCNT1 and TREF1 registers coincide, the timer/counter interrupt request flag (IRQT1) is set to "1", the status of TOL1 is inverted, and an interrupt is generated.
Output enable flag (TOE1)	Must be set to logic one before the contents of the TOL1 latch can be output to TCLO1.
Interrupt request flag (IRQT1)	Cleared when TC1 operation starts and set to logic one whenever the counter value and reference value match.
Interrupt enable flag (IET1)	Must be set to logic one before the interrupt requests generated by timer/counter 1 can be processed.

Table 11-8. TC1 Register Overview

Register Name	Type	Description	Size	RAM Address	Addressing Mode	Reset Value
TMOD1	Control	Controls TC1 enable/disable (bit 2); clears and resumes counting operation (bit 3); sets input clock and the clock frequency (bits 6–4)	8-bit	FA0H–FA1H	8-bit write-only; (TMOD1.3 is also 1-bit writeable)	"0"
TCNT1	Counter	Counts clock pulses matching the TMOD1 frequency setting	16-bit	FA4H–FA5H, FA6H–FA7H	8-bit read-only	"0"
TREF1	Reference	Stores reference value for TC1 interval setting	16-bit	FA8H–FA9H, FAAH–FABH	8-bit write-only	FFFFH
TOE1	Flag	Controls TC1 output to the TCLO1 pin	1-bit	F92H.3	1/4-bit read/write	"0"

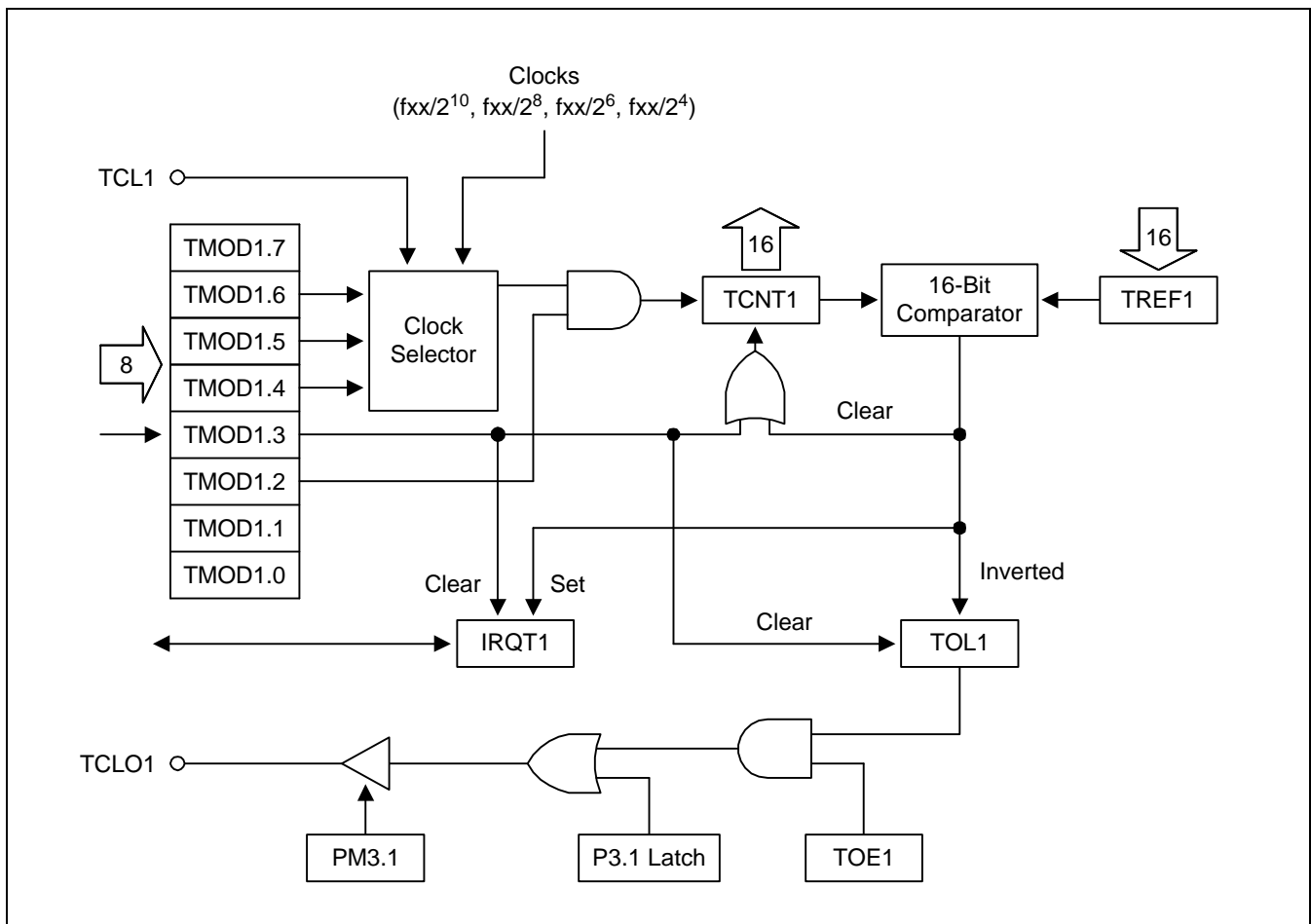


Figure 11-4. TC1 Circuit Diagram

TC1 ENABLE/DISABLE PROCEDURE

Enable Timer/Counter 1

- Set the TC1 interrupt enable flag IET1 to logic one.
- Set TMOD1.3 to logic one.

TCNT1, IRQT1, and TOL1 are cleared to logic zero, and timer/counter operation starts.

Disable Timer/Counter 1

- Set TMOD1.2 to logic zero.

Clock signal input to the counter register TCNT1 is halted. The current TCNT1 value is retained and can be read if necessary.

TC1 PROGRAMMABLE TIMER/COUNTER FUNCTION

Timer/counter 1 can be programmed to generate interrupt requests at variable intervals, based on the system clock frequency you select. The 8-bit TC1 mode register, TMOD1, is used to activate the timer/counter and to select the clock frequency; the 16-bit reference register, TREF1, is used to store the value for the desired number of clock pulses between interrupt requests. The 16-bit counter register, TCNT1, counts the incoming clock pulses, which are compared to the TREF1 value. When there is a match, an interrupt request is generated.

To program timer/counter 1 to generate interrupt requests at specific intervals, select one of the four internal clock frequencies (divisions of the system clock, f_{xx}) and load a counter reference value into the TREF1 register. TCNT1 is incremented each time an internal counter pulse is detected with the reference clock frequency specified by TMOD1.4–TMOD1.6 settings. To generate an interrupt request, the TC1 interrupt request flag (IRQT1) is set to logic one, the status of TOL1 is inverted, and the interrupt is output. The content of TCNT1 is then cleared to 0000H, and TC1 continues counting. The interrupt request mechanism for TC1 includes an interrupt enable flag (IET1) and an interrupt request flag (IRQT1).

TC1 TIMER/COUNTER OPERATION SEQUENCE

The general sequence of operations for using TC1 can be summarized as follows:

1. Set TMOD1.2 to "1" to enable TC1.
2. Set TMOD1.6 to "1" to enable the system clock (f_{xx}) input.
3. Set TMOD1.5 and TMOD1.4 bits to desired internal frequency (f_{xx}/2ⁿ).
4. Load a value to TREF1 to specify the interval between interrupt requests.
5. Set the TC1 interrupt enable flag (IET1) to "1".
6. Set TMOD1.3 bit to "1" to clear TCNT1, IRQT1, and TOL1, and start counting.
7. TCNT1 increments with each internal clock pulse.
8. When the comparator shows TCNT1 = TREF1, the IRQT1 flag is set to "1" and an interrupt request is generated.
9. Output latch (TOL1) logic toggles high or low.
10. TCNT1 is cleared to 0000H and counting resumes.
11. Programmable timer/counter operation continues until TMOD1.2 is cleared to "0".

TC1 EVENT COUNTER FUNCTION

Timer/counter 1 can monitor system 'events' by using the external clock input at the TCL1 pin as the counter source. The TC1 mode register selects rising or falling edge detection for incoming clock signals. The counter register TCNT1 is incremented each time the selected state transition of the external clock signal occurs.

With the exception of the different TMOD1.4–TMOD1.6 settings, the operation sequence for TC1's event counter function is identical to its programmable timer/counter function. To activate the TC1 event counter function,

- Set TMOD1.2 to "1" to enable TC1.
- Clear TMOD1.6 to "0" to select the external clock source at the TCL1 pin.
- Select TCL1 edge detection for rising or falling signal edges by loading the appropriate values to TMOD1.5 and TMOD1.4.
- Pin P3.3 must be set to input mode.

Table 11-9. TMOD1 Settings for TCL1 Edge Detection

TMOD1.5	TMOD1.4	TCL1 Edge Detection
0	0	Rising edges
0	1	Falling edges

TC1 CLOCK FREQUENCY OUTPUT

Using timer/counter 1, a modifiable clock frequency can be output to the TC1 clock output pin, TCLO1. To select the clock frequency, load the appropriate values to the TC1 mode register, TMOD1. The clock interval is selected by loading the desired reference value into the 16-bit reference register TREF1. To enable the output to the TCLO1 pin at I/O port 3.1, the following conditions must be met:

- TC1 output enable flag TOE1 must be set to "1".
- I/O mode flag for P3.1 (PM3.1) must be set to output mode ("1").
- P3.1 output latch must be cleared to "0".

In summary, the operational sequence required to output a TC1-generated clock signal to the TCLO1 pin is as follows:

1. Load your reference value to TREF1.
2. Set the internal clock frequency in TMOD1.
3. Initiate TC1 clock output to TCLO1 (TMOD1.2 = "1").
4. Set port 3.1 mode flag (PM3.1) to "1".
5. Clear the P3.1 output latch.
6. Set TOE1 flag to "1".

Each time TCNT1 overflows and an interrupt request is generated, the state of the output latch TOL1 is inverted and the TC1-generated clock signal is output to the TCLO1 pin.

PROGRAMMING TIP — TC1 Signal Output to the TCLO1 Pin

Output a 30 ms pulse width signal to the TCLO1 pin:

BITS	EMB	
SMB	15	
LD	EA,#79H	
LD	TREF1A,EA	
LD	EA,#00H	
LD	TREF1B,EA	
LD	EA,#4CH	
LD	TMOD1,EA	
LD	EA,#02H	
LD	PMG2,EA	; P3.1 ← output mode
BITR	P3.1	; P3.1 clear
BITS	TOE1	

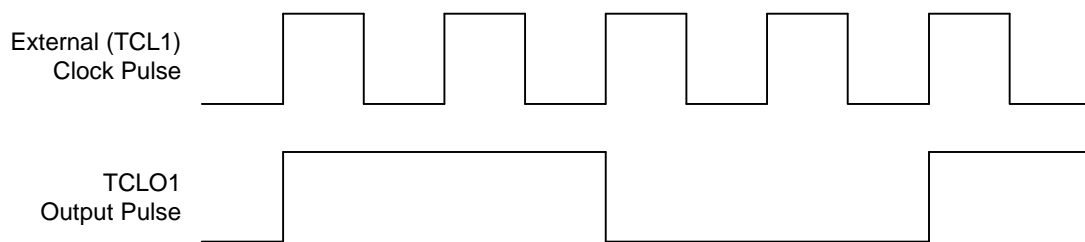
TC1 EXTERNAL INPUT SIGNAL DIVIDER

By selecting an external clock source and loading a reference value into the TC1 reference register, TREF1, you can divide the incoming clock signal by the TREF1 value and then output this modified clock frequency to the TCLO1 pin. The sequence of operations used to divide external clock input and output the signals to the TCLO1 pin can be summarized as follows:

1. Load a signal divider value to the TREF1 register.
2. Clear TMOD1.6 to "0" to enable external clock input at the TCLO1 pin.
3. Set TMOD1.5 and TMOD1.4 to desired TCL signal edge detection.
4. Set P3.1 mode flag (PM3.1) to output ("1").
5. Clear the P3.1 output latch.
6. Set TOE1 flag to "1" to enable output of the divided frequency.

 **PROGRAMMING TIP — External TCL1 Clock Output to the TCLO1 Pin**

Output the external TCL1 clock source to the TCLO1 pin (divide by four):



```

BITS      EMB
SMB       15
LD        EA,#01H
LD        TREF1A,EA
LD        EA,#00H
LD        TREF1B,EA
LD        EA,#0CH
LD        TMOD1,EA
LD        EA,#02H
LD        PMG2,EA      ; P3.1 ← output mode
BITR      P3.1        ; P3.1 clear
BITS      TOE1

```

TC1 MODE REGISTER (TMOD1)

TMOD1 is the 8-bit mode register for timer/counter 1. It is addressable by 8-bit write instructions. The TMOD1.3 bit is also 1-bit write addressable. RESET clears all TMOD1 bits to logic zero. Following a RESET, timer/counter 1 is disabled.

FA0H	TMOD1.3	TMOD1.2	"0"	"0"
FA1H	"0"	TMOD1.6	TMOD1.5	TMOD1.4

TMOD1.2 is the enable/disable bit for timer/counter 1. When TMOD1.3 is set to "1", the contents of TCNT1, IRQT1, and TOL1 are cleared, counting starts from 0000H, and TMOD1.3 is automatically reset to "0" for normal TC1 operation. When TC1 operation stops (TMOD1.2 = "0"), the contents of the TC1 counter register, TCNT1, are retained until TC1 is re-enabled.

The TMOD1.6, TMOD1.5, and TMOD1.4 bit settings are used together to select the TC1 clock source. This selection involves two variables:

- Synchronization of timer/counter operations with either the rising edge or the falling edge of the clock signal input at the TCL1 pin, and
- Selection of one of four frequencies, based on division of the incoming system clock frequency, for use in internal TC1 operations.

Table 11-10. TC1 Mode Register (TMOD1) Organization

Bit Name	Setting	Resulting TC1 Function	Address
TMOD1.7	0	Always logic zero	FA1H
TMOD1.6 TMOD1.5 TMOD1.4	0,1	Specify input clock edge and internal frequency	
TMOD1.3	1	Clear TCNT1, IRQT1, and TOL1 and resume counting immediately (This bit is automatically cleared to logic zero immediately after counting resumes).	
TMOD1.2	0	Disable timer/counter 1; retain TCNT1 contents	FA0H
	1	Enable timer/counter 1	
TMOD1.1	0	Always logic zero	
TMOD1.0	0	Always logic zero	

Table 11-11. TMOD1.6, TMOD1.5, and TMOD1.4 Bit Settings

TMOD1.6	TMOD1.5	TMOD1.4	Resulting Counter Source and Clock Frequency
0	0	0	External clock input (TCL1) on rising edges
0	0	1	External clock input (TCL1) on falling edges
1	0	0	$f_{xx}/2^{10}$ (4.09 kHz)
1	0	1	$f_{xx}/2^8$ (16.4 kHz)
1	1	0	$f_{xx}/2^6$ (65.5 kHz)
1	1	1	$f_{xx}/2^4$ (262 kHz)

NOTE: 'fxx' = selected system clock of 4.19 MHz.

PROGRAMMING TIP — Restarting TC1 Counting Operation

1. Set TC1 timer interval to 4.09 kHz:

```

BITS      EMB
SMB      15
LD      EA,#4CH
LD      TMOD1,EA
EI
BITS      IET1

```

2. Clear TCNT1, IRQT1, and TOL1 and restart TC1 counting operation:

```

SBITS     EMB
SMB      15
BITS     TMOD1.3

```


TC1 COUNTER REGISTER (TCNT1)

The 16-bit counter register for timer/counter 1, TCNT1, is mapped to RAM addresses FA5H–FA4H (TCNT1A) and FA7H–FA6H (TCNT1B). The two 8-bit registers are read-only and can be addressed by 8-bit RAM control instructions. RESET sets all TCNT1 register values to logic zero (00H).

Whenever TMOD1.2 and TMOD1.3 are enabled, TCNT1 is cleared to logic zero and counting begins. The TCNT1 register value is incremented each time an incoming clock signal is detected that matches the signal edge and frequency setting of the TMOD1 register (specifically, TMOD1.6, TMOD1.5, and TMOD1.4).

Each time TCNT1 is incremented, the new value is compared to the reference value stored in the TC1 reference register, TREF1. When TCNT1 = TREF1, an overflow occurs in the TCNT1 register, the interrupt request flag, IRQT1, is set to logic one, and an interrupt request is generated to indicate that the specified timer/counter interval has elapsed.

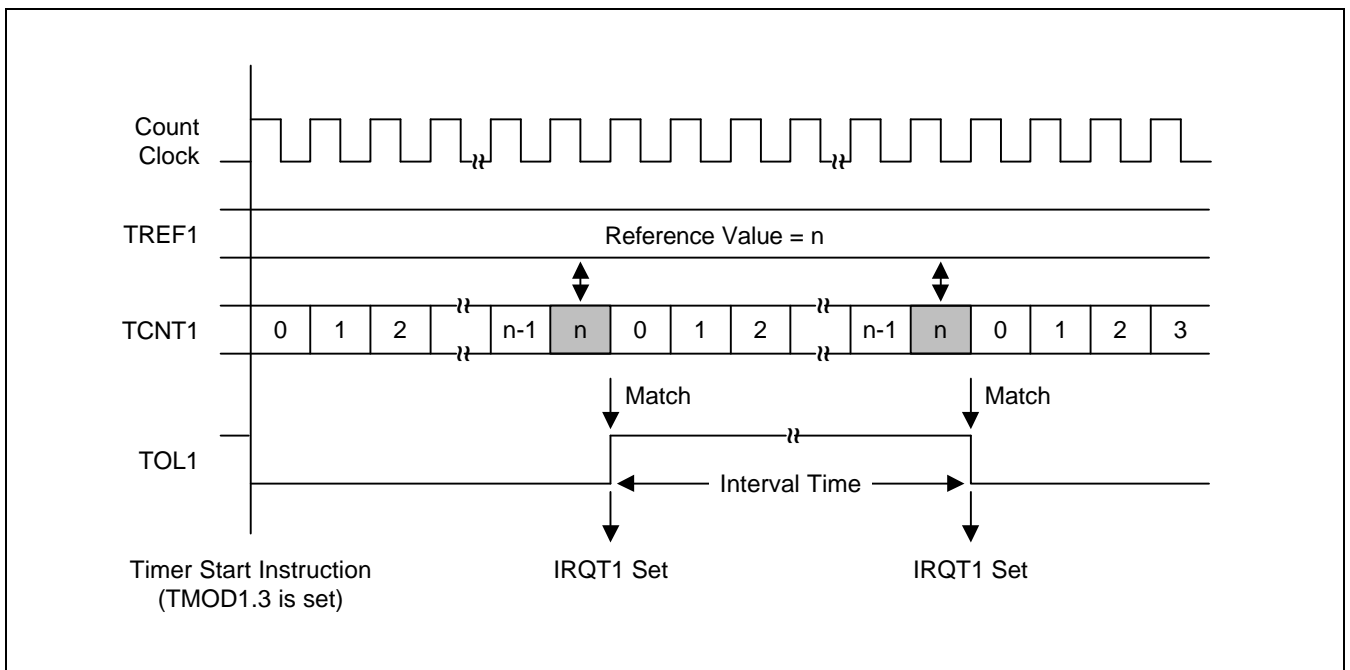


Figure 11-5. TC1 Timing Diagram

TC1 REFERENCE REGISTER (TREF1)

The TC1 reference register TREF1 is a 16-bit write-only register that is mapped to RAM locations FA9H–FA8H (TREF1A) and FABH–FAAH (TREF1B). It is addressable by 8-bit RAM control instructions. RESET clears the TREF1 value to 'FFFFH'.

TREF1 is used to store a reference value to be compared to the incrementing TCNT1 register in order to identify an elapsed time interval. Reference values will differ depending upon the specific function that TC1 is being used to perform — as a programmable timer/counter, event counter, clock signal divider, or arbitrary frequency output source.

During timer/counter operation, the value loaded into the reference register compared to the TCNT1 value. When TCNT1 = TREF1, the TC1 output latch (TOL1) is inverted and an interrupt request is generated to signal the interval or event. The TREF1 value, together with the TMOD1 clock frequency selection, determines the specific TC1 timer interval. Use the following formula to calculate the correct value to load to the TREF1 reference register:

$$\text{TC1 timer interval} = (\text{TREF1 value} + 1) \times \frac{1}{\text{TMOD1 frequency setting}}$$

(TREF1 value \neq 0)

TC1 OUTPUT ENABLE FLAG (TOE1)

The 1-bit timer/counter 1 output enable flag TOE1 flag controls output from timer/counter 1 to the TCLO1 pin. TOE1 is addressable by 1-bit read and write instructions.

	Bit 3	Bit 2	Bit 1	Bit 0
F92H	TOE1	TOE0	"U"	"0"


NOTE: The "U" means that the bit is undefined.

When you set the TOE1 flag to "1", the contents of TOL1 can be output to the TCLO1 pin. Whenever a RESET occurs, TOE1 is automatically set to logic zero, disabling all TC1 output.

TC1 OUTPUT LATCH (TOL1)

TOL1 is the output latch for timer/counter 1. When the 16-bit comparator detects a correspondence between the value of the counter register TCNT1 and the reference value stored in the TREF1 register, the TOL1 logic toggles high-to-low or low-to-high. Whenever the state of TOL1 is switched, the TC1 signal exits the latch for output. TC1 output is directed (if TOE1 = "1") to the TCLO1 pin at I/O port 3.1.

When timer/counter 1 is started, (TMOD1.3 = "0"), the contents of the output latch are cleared automatically. However, when TC1 is disabled (TMOD1.2 = "0"), the contents of the TOL1 latch are retained and can be read, if necessary.

 **PROGRAMMING TIP — Setting a TC1 Timer Interval**

To set a 30 ms timer interval for TC1, given $f_{xx} = 4.19$ MHz, follow these steps:

1. Select the timer/counter 1 mode register with a maximum setup time of 16 seconds; assume the TC1 counter clock = $f_{xx}/2^{10}$ and TREF1 is set to FFFFH.
2. Calculate the TREF1 value:

$$30 \text{ ms} = \frac{\text{TREF1 value} + 1}{4.09 \text{ kHz}}$$

$$\text{TREF1} + 1 = \frac{30 \text{ ms}}{244 \mu\text{s}} = 122.9 = 7AH$$

$$\text{TREF1 value} = 7AH - 1 = 79H$$

3. Load the value 79H to the TREF1 register:

```

BITS      EMB
SMB      15
LD        EA,#79H
LD        TREF1A,EA
LD        EA,#00H
LD        TREF1B,EA
LD        EA,#4CH
LD        TMOD1,EA

```

WATCH TIMER

OVERVIEW

The watch timer is a multi-purpose timer which consists of three basic components:

- 8-bit watch timer mode register (WMOD)
- Clock selector
- Frequency divider circuit

Watch timer functions include real-time and watch-time measurement and interval timing for the main and sub-system clock. It is also used as a clock source for the LCD controller and for generating buzzer (BUZ) output.

Real-Time and Watch-Time Measurement

To start watch timer operation, set bit 2 of the watch timer mode register (WMOD.2) to logic one. The watch timer starts, the interrupt request flag IRQW is automatically set to logic one, and interrupt requests commence in 0.5-second intervals.

Since the watch timer functions as a quasi-interrupt instead of a vectored interrupt, the IRQW flag should be cleared to logic zero by program software as soon as a requested interrupt service routine has been executed.

Using a Main System or Subsystem Clock Source

The watch timer can generate interrupts based on the main system clock frequency or on the subsystem clock. When the zero bit of the WMOD register is set to "1", the watch timer uses the subsystem clock signal (f_{xt}) as its source; if WMOD.0 = "0", the main system clock (f_x) is used as the signal source, according to the following formula:

$$\text{Watch timer clock (f}_w\text{)} = \frac{\text{Main system clock (f}_x\text{)}}{128} = 32.768 \text{ kHz (f}_x = 4.19 \text{ MHz)}$$

This feature is useful for controlling timer-related operations during stop mode. When stop mode is engaged, the main system clock (f_x) is halted, but the subsystem clock continues to oscillate. By using the subsystem clock as the oscillation source during stop mode, the watch timer can set the interrupt request flag IRQW to "1", thereby releasing stop mode.

Clock Source Generation for LCD Controller

The watch timer supplies the clock frequency for the LCD controller (f_{LCD}). Therefore, if the watch timer is disabled, the LCD controller does not operate.

Buzzer Output Frequency Generator

The watch timer can generate a steady 2 kHz, 4 kHz, 8 kHz, or 16 kHz signal to the BUZ pin. To select the desired BUZ frequency, load the appropriate value to the WMOD register. This output can then be used to actuate an external buzzer sound. To generate a BUZ signal, three conditions must be met:

- The WMOD.7 register bit is set to "1"
- The output latch for I/O port 0.3 is cleared to "0"
- The port 0.3 output mode flag (PM0.3) set to 'output' mode

Timing Tests in High-Speed Mode

By setting WMOD.1 to "1", the watch timer will function in high-speed mode, generating an interrupt every 3.91 ms. At its normal speed (WMOD.1 = '0'), the watch timer generates an interrupt request every 0.5 seconds. High-speed mode is useful for timing events for program debugging sequences.

Check Subsystem Clock Level Feature

The watch timer can also check the input level of the subsystem clock by testing WMOD.3. If WMOD.3 is "1", the input level at the XT_{IN} pin is high; if WMOD.3 is "0", the input level at the XT_{IN} pin is low.

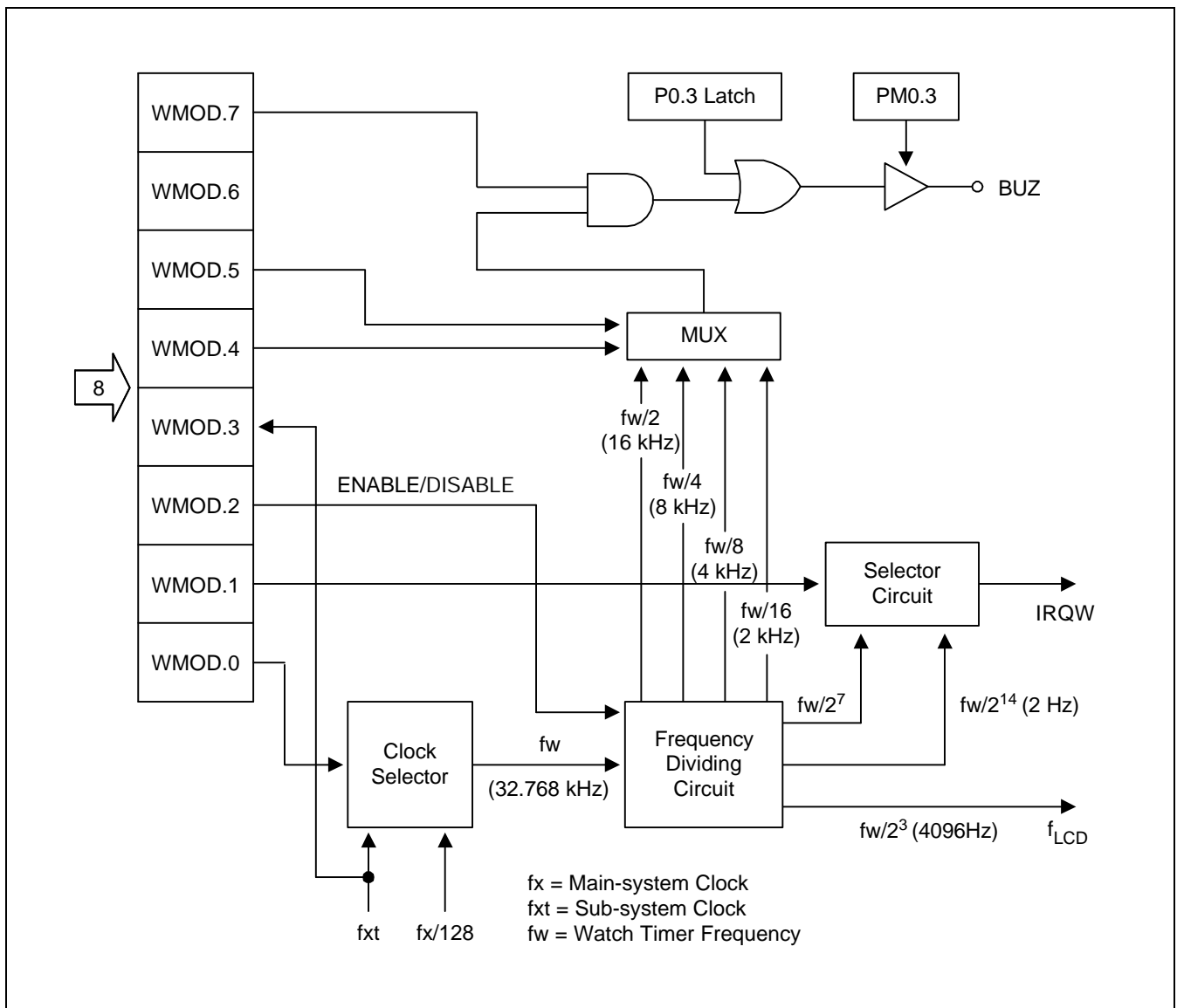


Figure 11-6. Watch Timer Circuit Diagram

WATCH TIMER MODE REGISTER (WMOD)

The watch timer mode register WMOD is used to select specific watch timer operations. It is 8-bit write-only addressable. An exception is WMOD bit 3 (the XT_{IN} input level control bit) which is 1-bit read-only addressable.

A RESET automatically sets WMOD.3 to the current input level of the subsystem clock, XT_{IN} (high, if logic one; low, if logic zero), and all other WMOD bits to logic zero.

F88H	WMOD.3	WMOD.2	WMOD.1	WMOD.0
F89H	WMOD.7	"0"	WMOD.5	WMOD.4

In summary, WMOD settings control the following watch timer functions:

- Watch timer clock selection (WMOD.0)
- Watch timer speed control (WMOD.1)
- Enable/disable watch timer (WMOD.2)
- XT_{IN} input level control (WMOD.3)
- Buzzer frequency selection (WMOD.4 and WMOD.5)
- Enable/disable buzzer output (WMOD.7)

Table 11-12. Watch Timer Mode Register (WMOD) Organization

Bit Name	Values	Function	Address	
WMOD.7	0	Disable buzzer (BUZ) signal output at the BUZ pin	F89H	
	1	Enable buzzer (BUZ) signal output at the BUZ pin		
WMOD.6	0	Always logic zero		
WMOD.5 – .4	0	0		2 kHz buzzer (BUZ) signal output
	0	1		4 kHz buzzer (BUZ) signal output
	1	0		8 kHz buzzer (BUZ) signal output
	1	1		16 kHz buzzer (BUZ) signal output
WMOD.3	0	Input level to XT _{IN} pin is low		F88H
	1	Input level to XT _{IN} pin is high		
WMOD.2	0	Disable watch timer; clear frequency dividing circuits		
	1	Enable watch timer		
WMOD.1	0	Normal mode; sets IRQW to 0.5 seconds		
	1	High-speed mode; sets IRQW to 3.91 ms		
WMOD.0	0	Select (fx/128) as the watch timer clock (fw)		
	1	Select subsystem clock as watch timer clock (fw)		

NOTE: Main system clock frequency (fx) is assumed to be 4.19 MHz; subsystem clock (fxt) is assumed to be 32.768 kHz.

 **PROGRAMMING TIP — Using the Watch Timer**

1. Select a subsystem clock as the LCD display clock, a 0.5 second interrupt, and 2 kHz buzzer enable:

```

BITS      EMB
SMB       15
LD        EA,#8H
LD        PMG1,EA      ; P0.3 ← output mode
BITR      P0.3
LD        EA,#85H
LD        WMOD,EA
BITS      IEW

```

2. Sample real-time clock processing method:

```

CLOCK     BTSTZ      IRQW      ; 0.5 second check
          RET        ; No, return
          •         ; Yes, 0.5 second interrupt generation
          •
          •         ; Increment HOUR, MINUTE, SECOND

```


12 LCD CONTROLLER/DRIVER

OVERVIEW

The S3C72P9 microcontroller can directly drive an up-to-896-dot (56 segments x 16 commons) LCD panel. Its LCD block has the following components:

- LCD controller/driver
- Display RAM for storing display data
- 56 segment output pins (SEG0–SEG55)
- 16 common output pins (COM0–COM15)
- Five LCD operating power supply pins (V_{LC1} – V_{LC5})
- V_{LC5} pin for controlling the driver and bias voltage

To use the LCD controller, bit 2 in the watch mode register WMOD must be set to 1, because LCDCK is supplied by the watch timer.

The frame frequency, duty and bias, and the segment pins used for display output, are determined by bit settings in the LCD mode register, LMOD.

The LCD control register, LCON, is used to turn the LCD display on and off, to switch current to the dividing resistors for the LCD display, and to output LCD clock (LCDCK) and synchronizing signal (LCDSY) for LCD display expansion. Data written to the LCD display RAM can be transferred to the segment signal pins automatically without program control.

When a subsystem clock is selected as the LCD clock source, the LCD display is enabled even during main clock stop and idle modes.

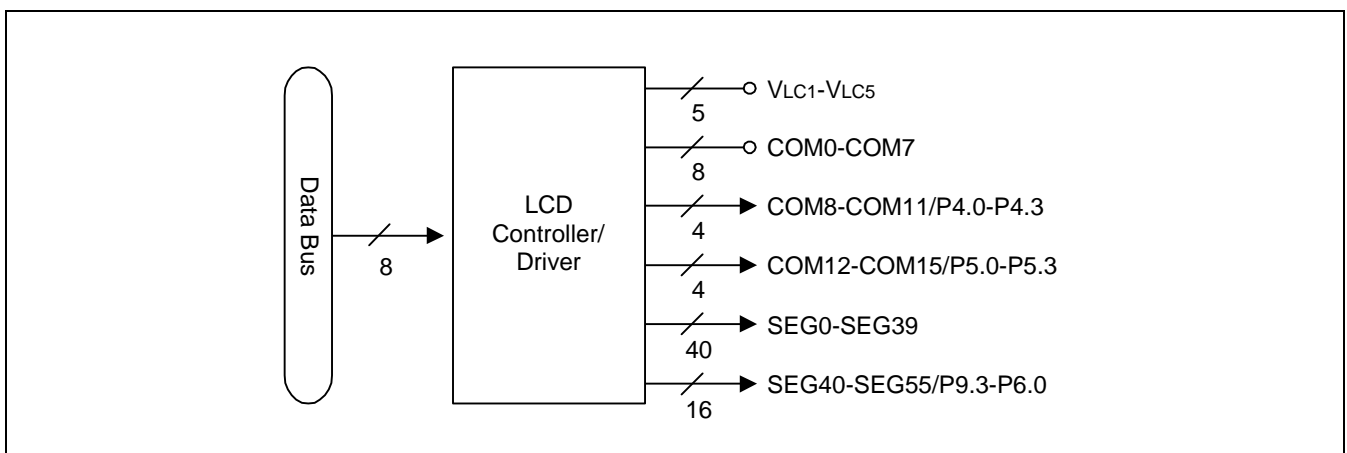


Figure 12-1. LCD Function Diagram

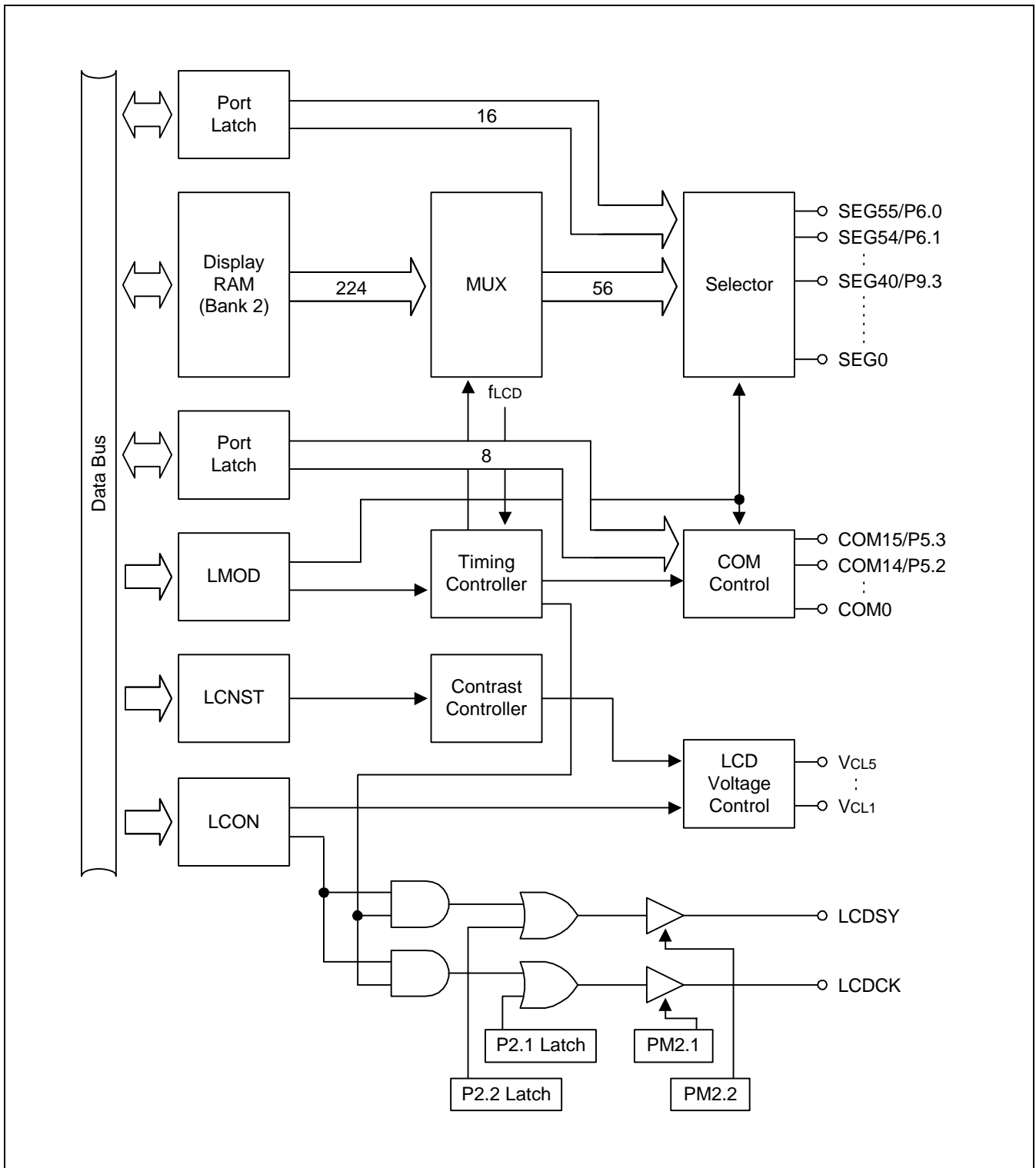


Figure 12-2. LCD Circuit Diagram

LCD RAM ADDRESS AREA

RAM addresses of bank 2 are used as LCD data memory. These locations can be addressed by 1-bit, 4-bit, or 8-bit instructions. When the bit value of a display segment is "1", the LCD display is turned on; when the bit value is "0", the display is turned off.

Display RAM data are sent out through segment pins SEG0–SEG55 using a direct memory access (DMA) method that is synchronized with the f_{LCD} signal. RAM addresses in this location that are not used for LCD display can be allocated to general-purpose use.

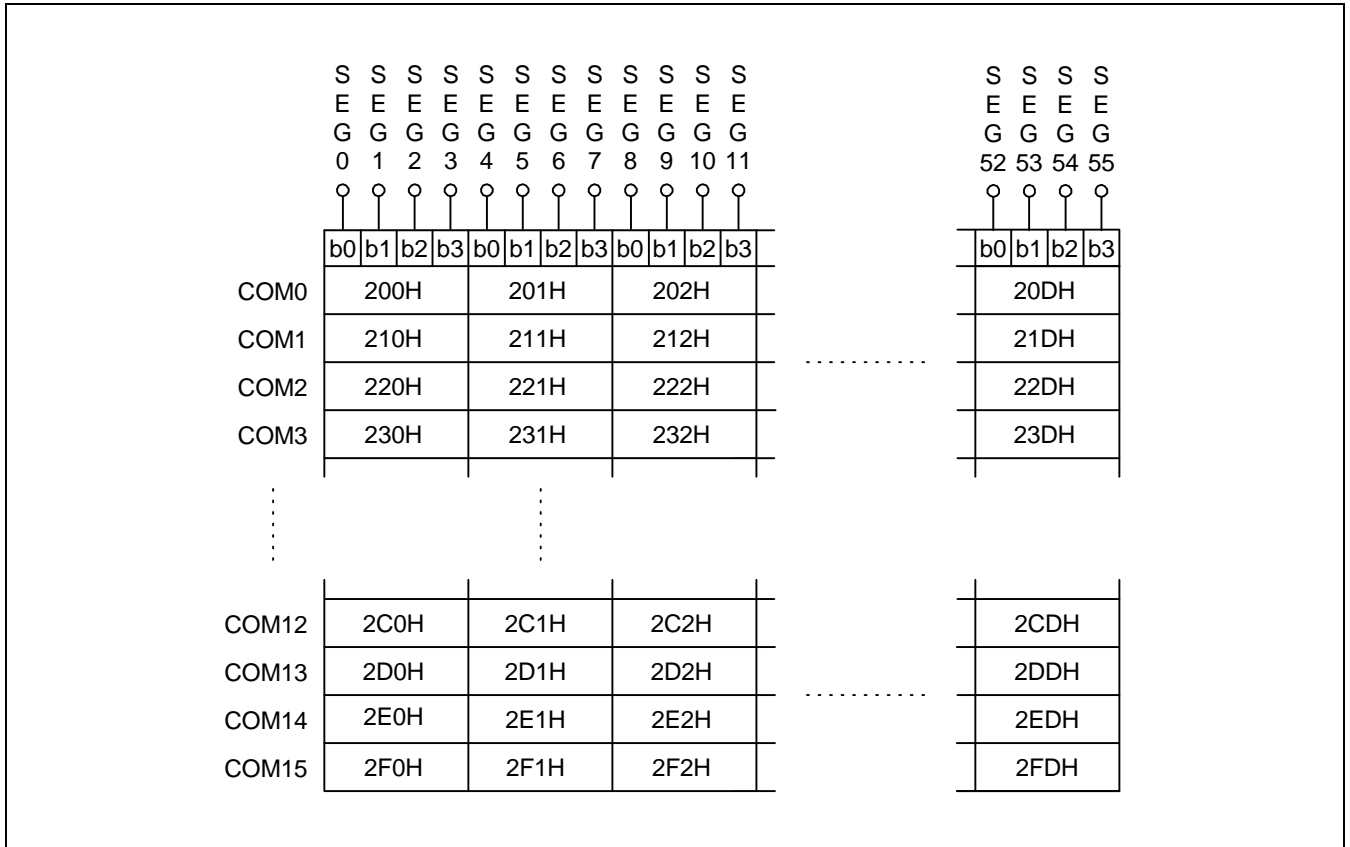


Figure 12-3. LCD Display Data RAM Organization

Table 12-1. Common and Segment Pins per Duty Cycle

Duty	Common Pins	Segment Pins	Dot Number
1/16	COM0 – COM15	40 pins–56 pins	640 dots–896 dots
1/12	COM0 – COM11		480 dots–672 dots
1/8	COM0 – COM7		320 dots–448 dots

NOTE: When 1/8 duty is selected, COM8–COM15 (P4.0–P5.3) can be used for normal I/O pins.
 When 1/12 duty is selected, COM12 – COM15(P5.0-P5.3) can be used for normal I/O pins.

LCD CONTROL REGISTER (LCON)

The LCD control register (LCON) is used to turn the LCD display on and off, to output LCD clock (LCDCK) and synchronizing signal (LCDSY) for LCD display expansion, and to control the flow of current to dividing resistors in the LCD circuit. Following a RESET, all LCON values are cleared to "0". This turns the LCD display off and stops the flow of current to the dividing resistors.

F8EH

LCON.3	LCON.2	LCON.1	LCON.0
--------	--------	--------	--------

The effect of the LCON.0 setting is dependent upon the current setting of bits LMOD.0 and LMOD.1. Bit 1 in the LCON is used for contrast control application.

Table 12-2. LCD Control Register (LCON) Organization

LCON Bit	Setting		Description
LCON.3	0		Select duty by means of LMOD.2 – .0
	1		Select 1/12 duty (COM0 – COM11 is selected)
LCON.2	0		Disable LCDCK and LCDSY signal outputs.
	1		Enable LCDCK and LCDSY signal outputs.
LCON.1	0	0	LCD display off; cut off current to dividing resistor
LCON.0	0	1	LCD display on; application with internal contrast control
	1	0	LCD display on; application with external contrast control
	1	1	LCD display on

NOTE: If the external variable resistor for control connected to V_{LC5} , you can select only one contrast control method(External or Internal contrast control).

Table 12-3. LMOD.1–0 Bits Settings

LMOD.1–0	COM0–COM15	SEG0–SEG55	SEG40/P9.3–SEG55/P6.0	Power Supply to the Dividing Resistor
0, 0	All of the LCD dots off		Normal I/O port function	On
0, 1	All of the LCD dots on			
1, 1	Common and segment signal output corresponds to display data (normal display mode)			

LCD MODE REGISTER (LMOD)

The LCD mode control register LMOD is used to control display mode; LCD clock, segment or port output, and display on/off. LMOD can be manipulated using 8-bit write instructions.

F8CH	LMOD.3	LMOD.2	LMOD.1	LMOD.0
F8DH	LMOD.7	LMOD.6	LMOD.5	LMOD.4

The LCD clock signal, LCDCK, determines the frequency of COM signal scanning of each segment output. This is also referred to as the 'frame frequency'. Since LCDCK is generated by dividing the watch timer clock (fw), the watch timer must be enabled when the LCD display is turned on. RESET clears the LMOD register values to logic zero.

The LCD display can continue to operate during idle and stop modes if a subsystem clock is used as the watch timer source. The LCD mode register LMOD controls the output mode of the 16 pins used for normal outputs (P9.3–P6.0). Bits LMOD.7–5 define the segment output and normal bit output configuration.

Table 12-4. LCD Clock Signal (LCDCK) Frame Frequency

Display Duty Cycle	LCDCK	256 Hz	512 Hz	1024 Hz	2048 Hz	4096 Hz
1/8		32	64	128	256	–
1/12		–	42.7	85.3	170.7	341.3
1/16		–	32	64	128	256

NOTE:

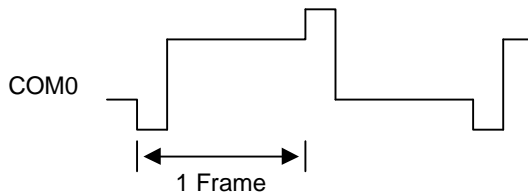


Table 12-5. LCD Mode Register (LMOD) Organization

Segment/Port Output Selection Bits

LMOD.7	LMOD.6	LMOD.5	SEG40–43	SEG44–47	SEG48–51	SEG52–55	Total Number of Segment
0	0	0	SEG port	SEG port	SEG port	SEG port	56
0	0	1	SEG port	SEG port	SEG port	Normal port	52
0	1	0	SEG port	SEG port	Normal port	Normal port	48
0	1	1	SEG port	Normal port	Normal port	Normal port	44
1	0	0	Normal port	Normal port	Normal port	Normal port	40

NOTE: Segment pins that also can be used for normal I/O should be configured to output mode when the SEG function is used.

LCD Clock Selection Bits

LMOD.4	LMOD.3	LCD Clock (LCDCK)		
		1/8 duty (COM0–COM7)	1/12 duty (COM0–COM11)	1/16 duty (COM0–COM15)
0	0	$f_{xx}/2^7$ (256 Hz)	$f_{xx}/2^6$ (512 Hz)	$f_{xx}/2^6$ (512 Hz)
0	1	$f_{xx}/2^6$ (512 Hz)	$f_{xx}/2^5$ (1024 Hz)	$f_{xx}/2^5$ (1024 Hz)
1	0	$f_{xx}/2^5$ (1024 Hz)	$f_{xx}/2^4$ (2048 Hz)	$f_{xx}/2^4$ (2048 Hz)
1	1	$f_{xx}/2^4$ (2048 Hz)	$f_{xx}/2^3$ (4096 Hz)	$f_{xx}/2^3$ (4096 Hz)

NOTE: LCDCK is supplied only when the watch timer is operating. To use the LCD controller, you must set bit 2 in the watch mode register WMOD to "1"

Duty Selection Bits

LMOD.2	Duty
0	1/8 duty (COM0–COM7 select)
1	1/16 duty (COM0–COM15 select)

NOTE: When 1/16 duty is selected, ports 4 and 5 should be configured as output mode; when 1/8 duty is selected, ports 4 and 5 can be used as normal I/O ports.

Display Mode Selection Bits

LMOD.1	LMOD.0	Function
0	0	All LCD dots off
0	1	All LCD dots on
1	1	Normal display

LCD CONTRAST CONTROL REGISTER (LCNST)

The LCD contrast control register LCNST is used to control the LCD contrast up to 16 step contrast level. Following a RESET, all LCNST values are cleared to "0".

F8AH	LCNST.3	LCNST.2	LCNST.1	LCNST.0
F8BH	LCNST.7	"0"	"0"	"0"

Table 12-6. LCD Clock Signal (LCDCK) Frame Frequency**Enable/Disable LCD Contrast Control Bit (LCNST.7)**

0	Disable LCD contrast control
1	Enable LCD contrast control

Bits 6–4

0	Always logic zero
---	-------------------

LCD Control Level Control Bits (16 steps)

LCNST.3	LCNST.2	LCNST.1	LCNST.0	16 Step Regulation Voltage Level
0	0	0	0	1/16 step (The dimmest level)
0	0	0	1	2/16 step
0	0	1	0	3/16 step
				▪
				▪
				▪
1	1	1	1	16/16 step (The brightest level)

NOTE: $V_{LCD} = V_{DD} \times (n+17)/32$, where $n = 0-15$.

LCD VOLTAGE DIVIDING RESISTORS

On-chip voltage dividing resistors for the LCD drive power supply are fixed to the V_{LC1} – V_{LC5} pins. Power can be supplied without an external dividing resistor. Figure 12-4 shows the bias connections for the S3C72P9 LCD drive power supply. To cut off the flow of current through the dividing resistor, clear bits 0 and 1 of the LCON register.

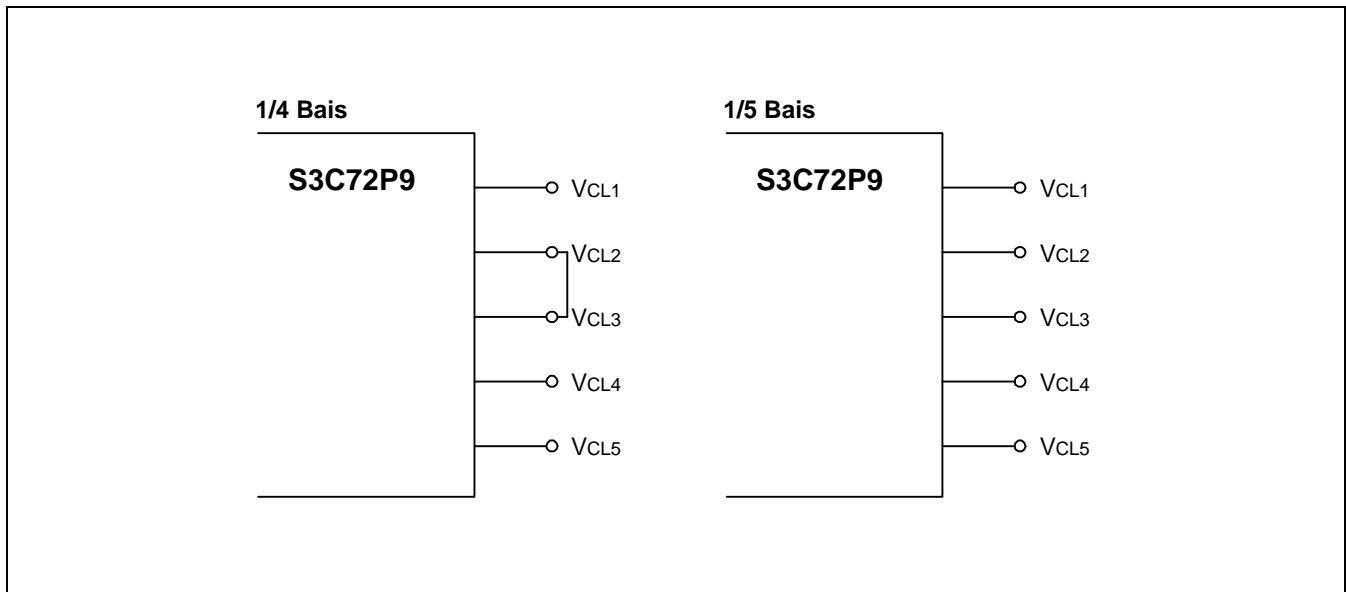


Figure 12-4. LCD Bias Circuit Connection

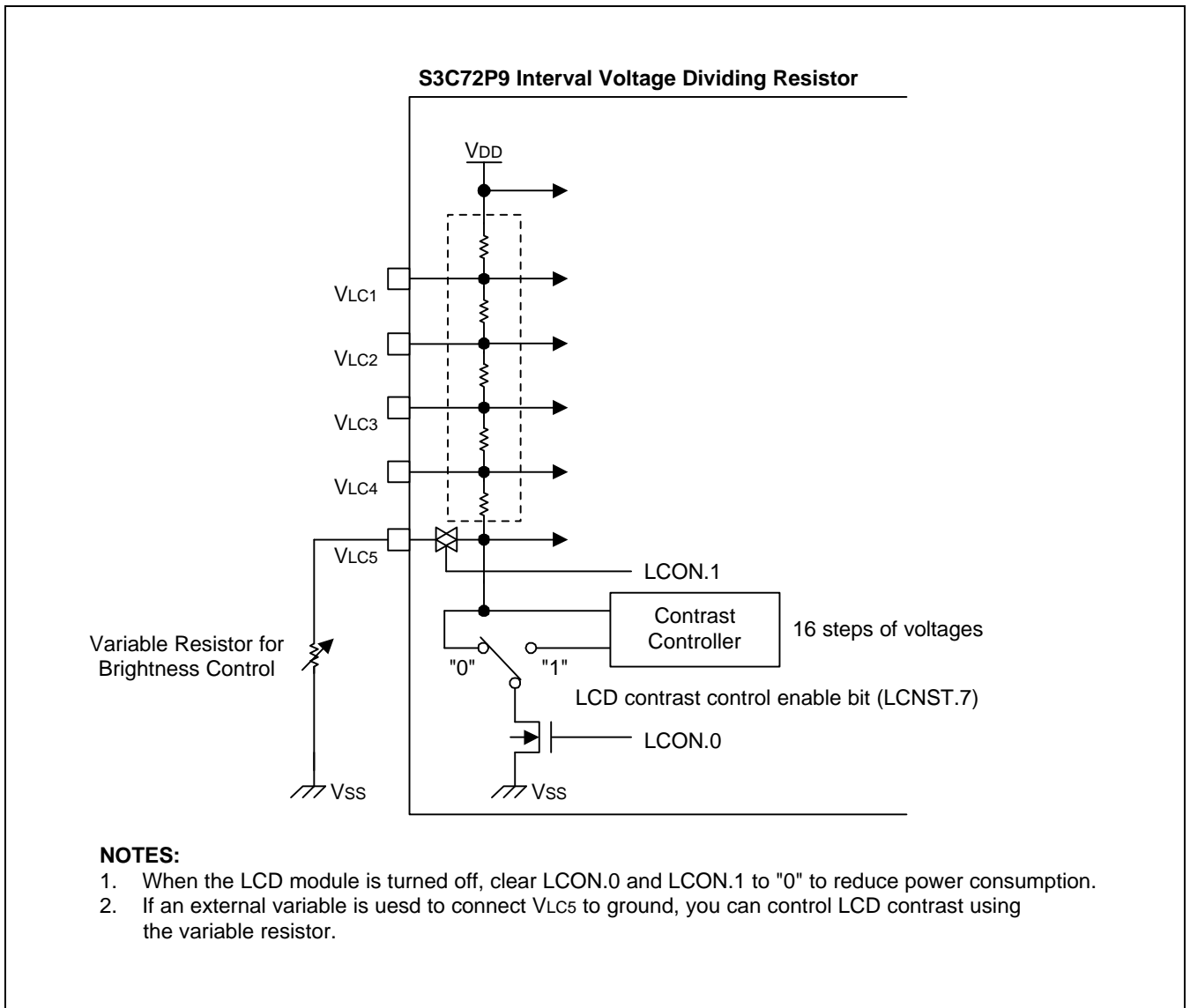


Figure 12-5. Internal Voltage Dividing Resistor and Contrast Control Circuit (1/5 Bias, Display On)

COMMON (COM) SIGNALS

The common signal output pin selection (COM pin selection) varies according to the selected duty cycle.

- In 1/8 duty mode, COM0–COM7 pins are selected
- In 1/12 duty mode, COM0–COM11 pins are selected.
- In 1/16 duty mode, COM0–COM15 pins are selected.

When 1/8 duty is selected by clearing LMOD.2 to zero, COM8–COM15 (P4.0–P5.3) can be used for normal I/O port. When 1/12 duty is selected by setting LCON.3 to one, ports 4 should be configured as output mode and port5 can be used for Normal I/O port.

SEGMENT (SEG) SIGNALS

The 56 LCD segment signal pins are connected to corresponding display RAM locations at bank 2. Bits of the display RAM are synchronized with the common signal output pins.

When the bit value of a display RAM location is "1", a select signal is sent to the corresponding segment pin. When the display bit is "0", a 'no-select' signal is sent to the corresponding segment pin.

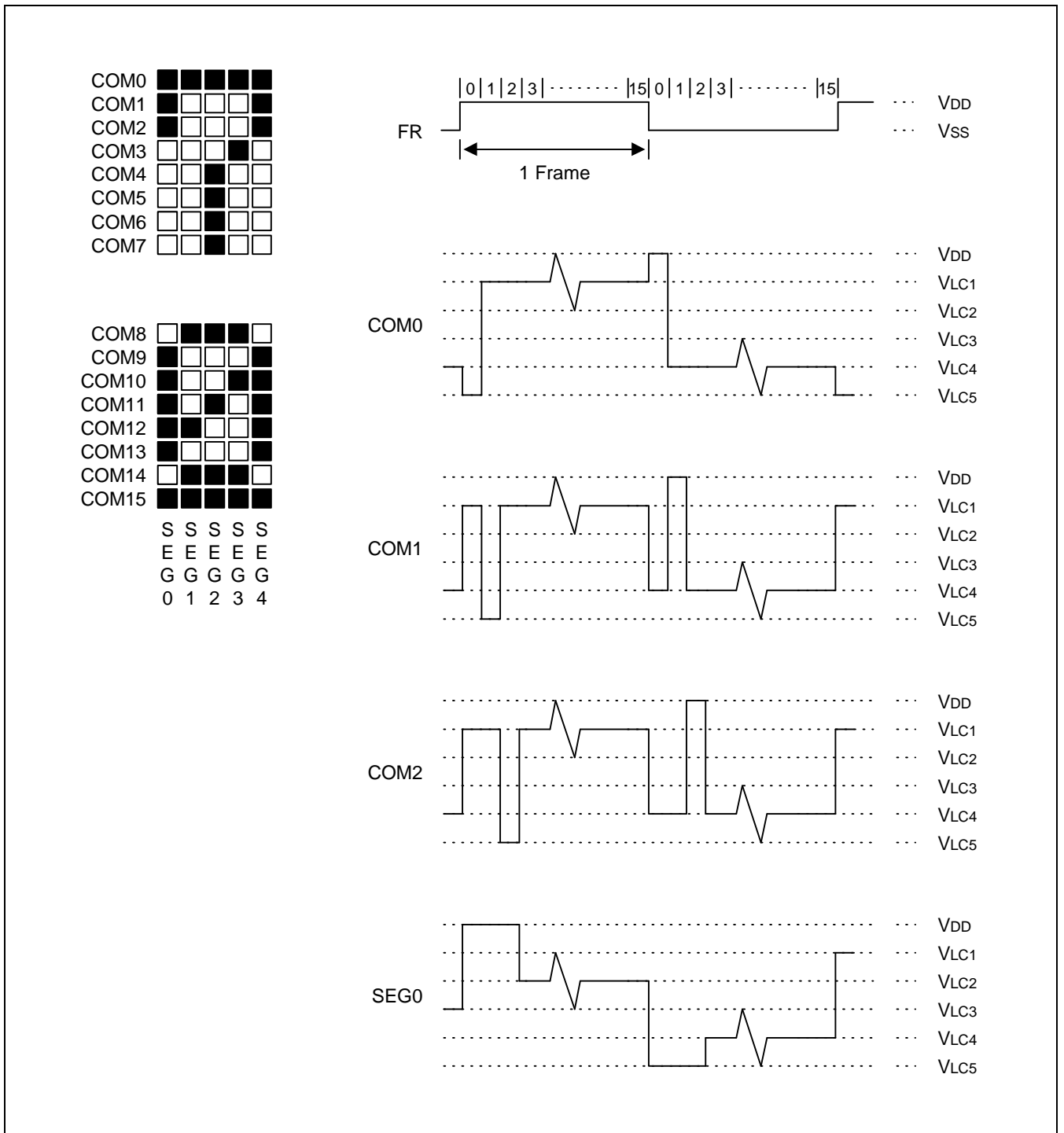


Figure 12-6. LCD Signal Waveforms (1/16 Duty, 1/5 Bias)

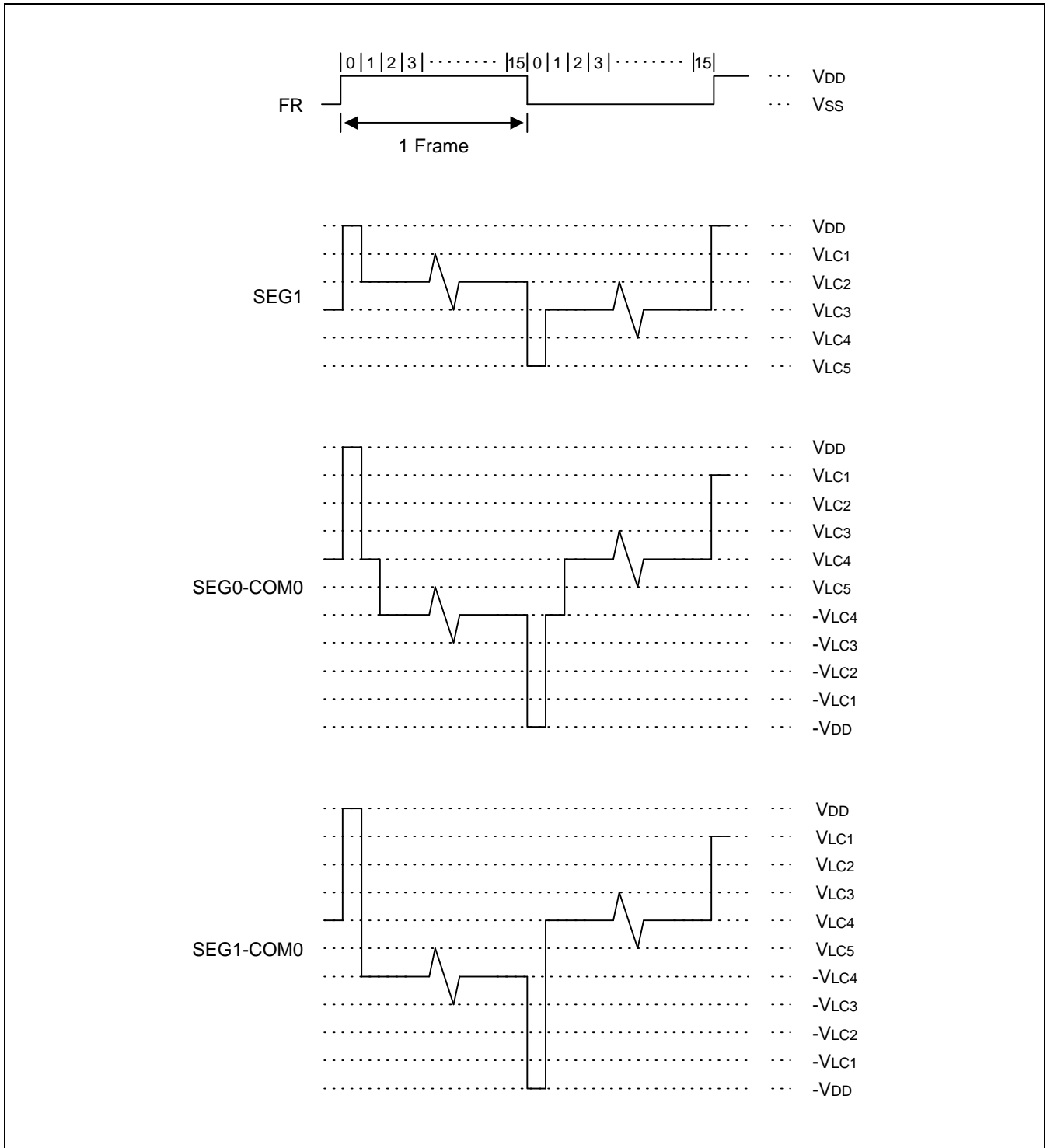


Figure 12-6. LCD Signal Waveforms (1/16 Duty, 1/5 Bias) (Continued)

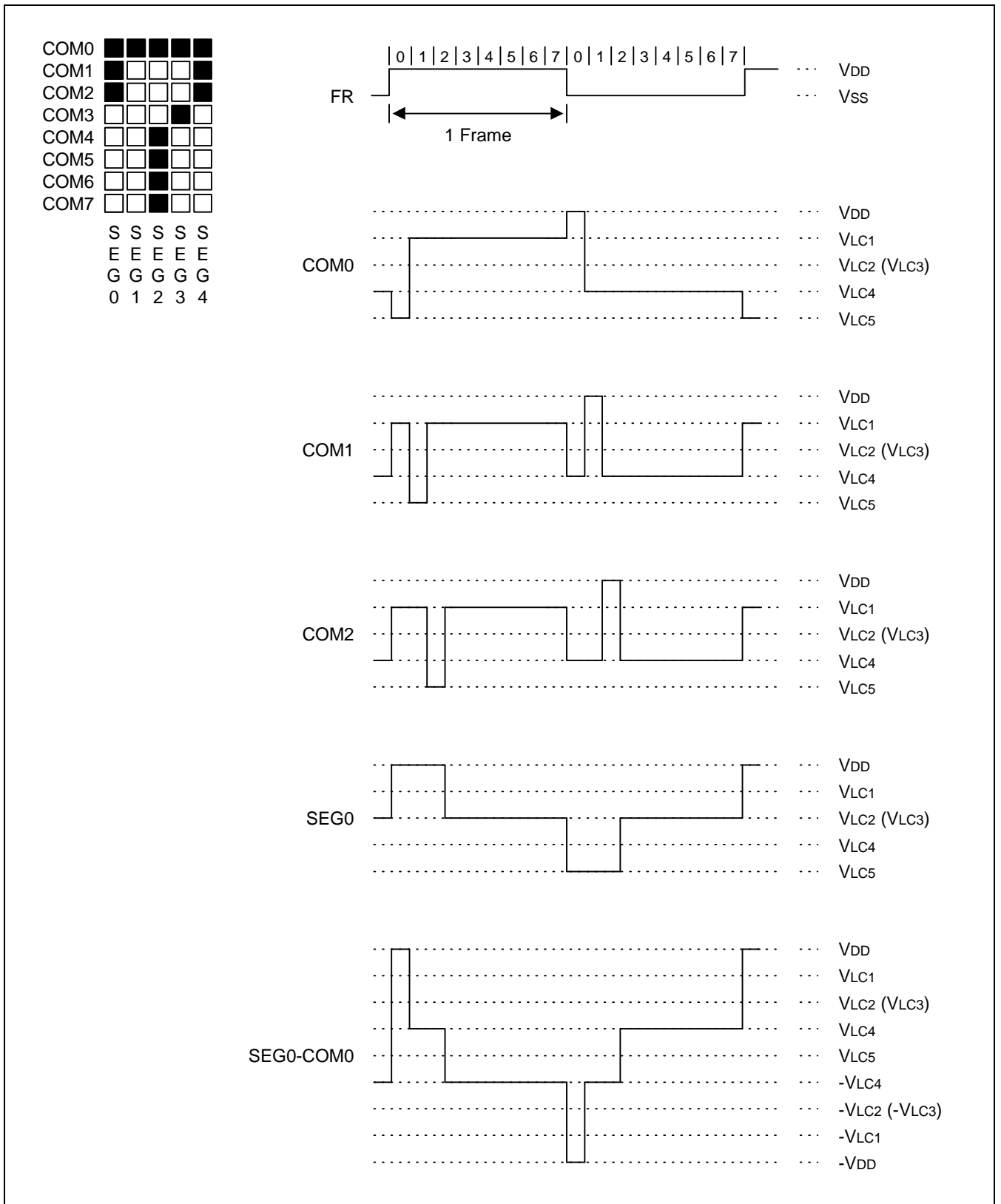


Figure 12-7. LCD Signal Waveforms (1/8 Duty, 1/4 Bias)

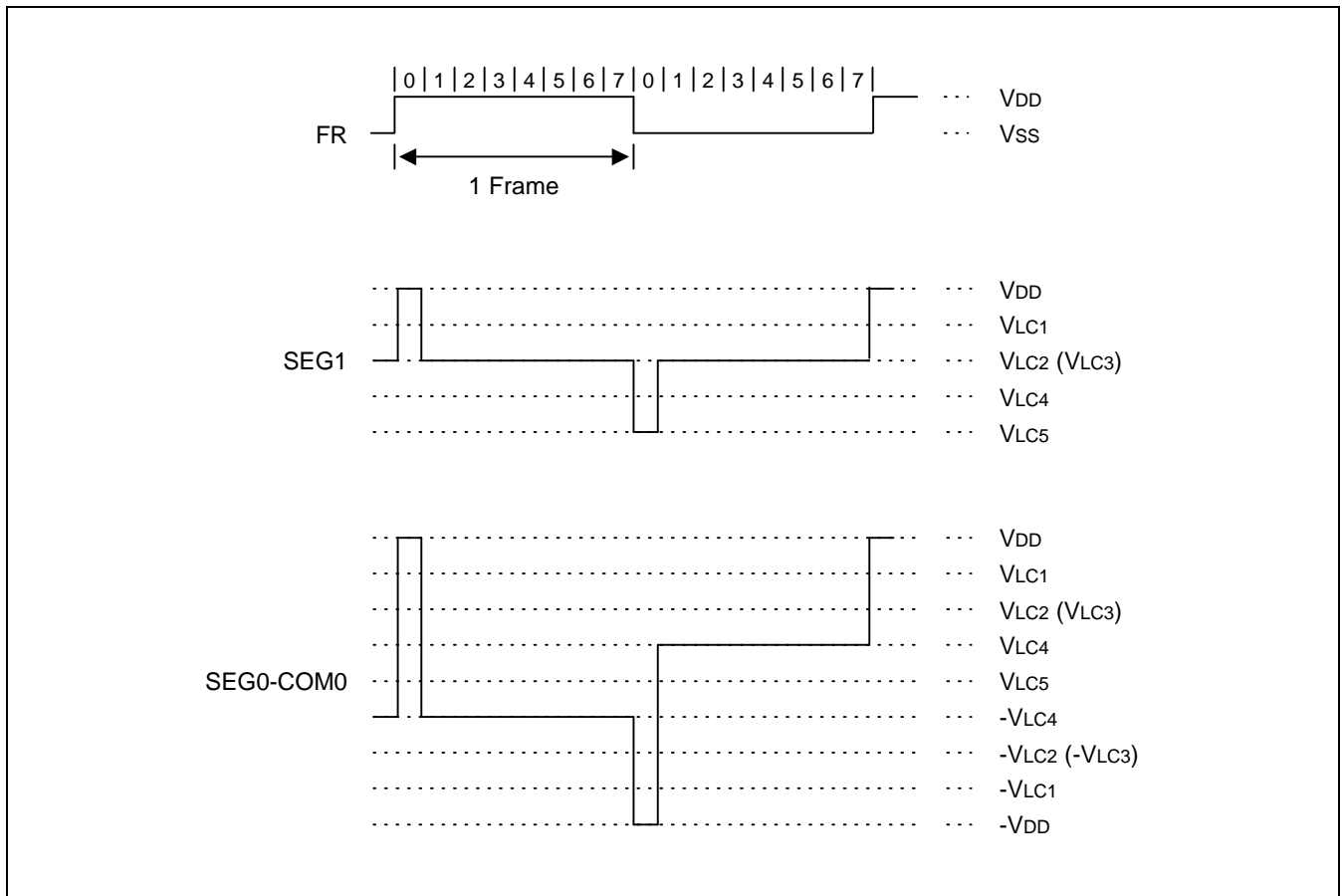


Figure 12-7. LCD Signal Waveforms (1/8 Duty, 1/4 Bias) (Continued)

13 SERIAL I/O INTERFACE

OVERVIEW

The serial I/O interface (SIO) has the following functional components:

- 8-bit mode register (SMOD)
- Clock selector circuit
- 8-bit buffer register (SBUF)
- 3-bit serial clock counter

Using the serial I/O interface, 8-bit data can be exchanged with an external device. The transmission frequency is controlled by making the appropriate bit settings to the SMOD register.

The serial interface can run off an internal or an external clock source, or the TOL0 signal that is generated by the 8-bit timer/counter, TC0. If the TOL0 clock signal is used, you can modify its frequency to adjust the serial data transmission rate.

SERIAL I/O OPERATION SEQUENCE

The general operation sequence of the serial I/O interface can be summarized as follows:

1. Set SIO mode to transmit-and-receive or to receive-only.
2. Select MSB-first or LSB-first transmission mode.
3. Set the SCK clock signal in the mode register, SMOD.
4. Set SIO interrupt enable flag (IES) to "1".
5. Initiate SIO transmission by setting bit 3 of the SMOD to "1".
6. When the SIO operation is complete, IRQS flag is set and an interrupt is generated.

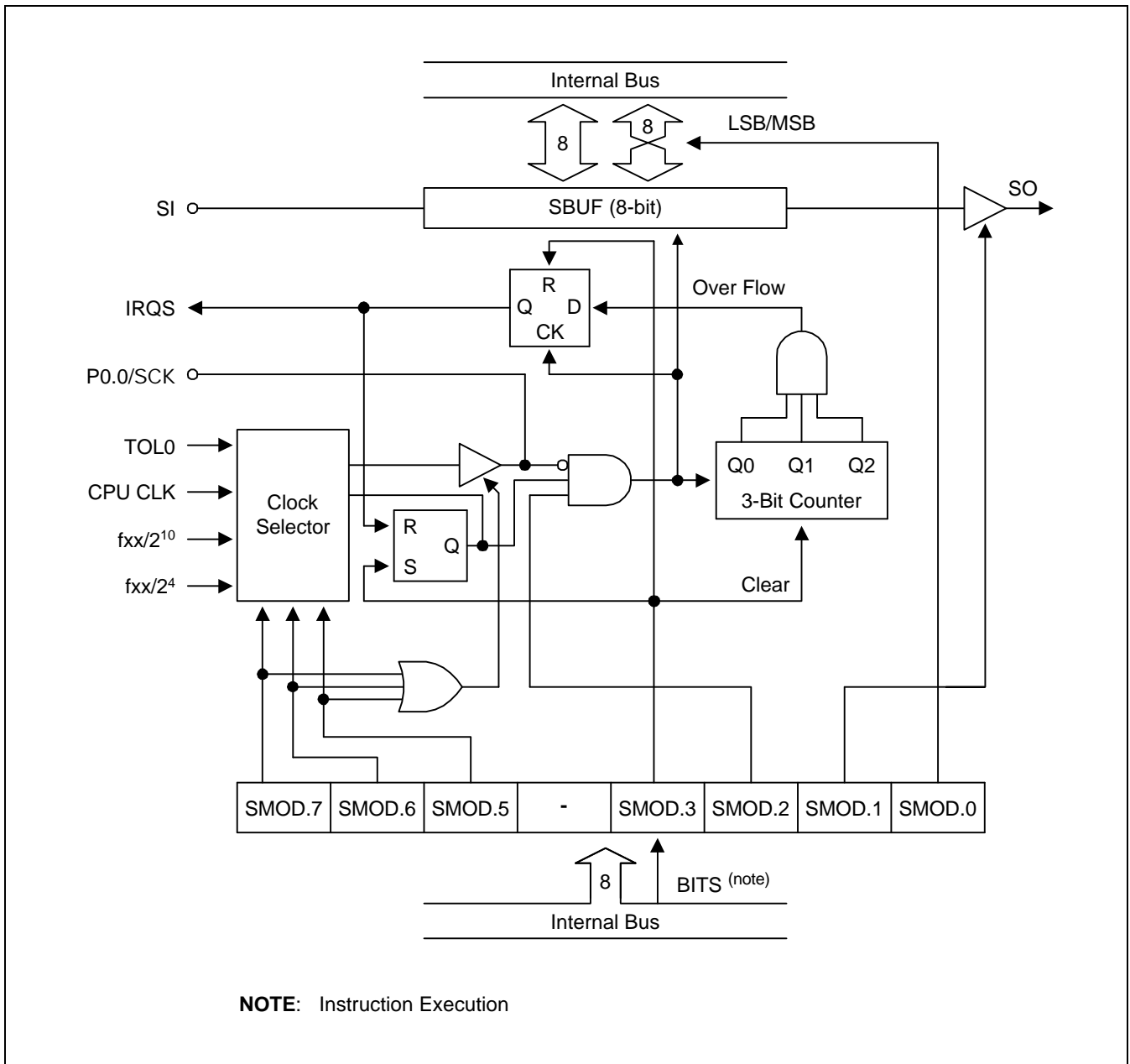


Figure 13-1. Serial I/O Interface Circuit Diagram

SERIAL I/O MODE REGISTER (SMOD)

The serial I/O mode register, SMOD, is an 8-bit register that specifies the operation mode of the serial interface. Its reset value is logical zero. SMOD is organized in two 4-bit registers, as follows:

FE0H	SMOD.3	SMOD.2	SMOD.1	SMOD.0
FE1H	SMOD.7	SMOD.6	SMOD.5	0

SMOD register settings enable you to select either MSB-first or LSB-first serial transmission, and to operate in transmit-and-receive mode or receive-only mode. SMOD is a write-only register and can be addressed only by 8-bit RAM control instructions. One exception to this is SMOD.3, which can be written by a 1-bit RAM control instruction. When SMOD.3 is set to 1, the contents of the serial interface interrupt request flag, IRQS, and the 3-bit serial clock counter are cleared, and SIO operations are initiated. When the SIO transmission starts, SMOD.3 is cleared to logical zero.

Table 13-1. SIO Mode Register (SMOD) Organization

SMOD.0	0	Most significant bit (MSB) is transmitted first
	1	Least significant bit (LSB) is transmitted first
SMOD.1	0	Receive-only mode
	1	Transmit-and-receive mode
SMOD.2	0	Disable the data shifter and clock counter; retain contents of IRQS flag when serial transmission is halted
	1	Enable the data shifter and clock counter; set IRQS flag to "1" when serial transmission is halted
SMOD.3	1	Clear IRQS flag and 3-bit clock counter to "0"; initiate transmission and then reset this bit to logic zero
SMOD.4	0	Bit not used; value is always "0"

SMOD.7	SMOD.6	SMOD.5	Clock Selection	R/W Status of SBUF
0	0	0	External clock at SCK pin	SBUF is enabled when SIO operation is halted or when SCK goes high.
0	0	1	Use TOL0 clock from TC0	
0	1	x	CPU clock: $fx/4$, $fx/8$, $fx/64$	Enable SBUF read/write
1	0	0	4.09 kHz clock: $fx/2^{10}$	SBUF is enabled when SIO operation is halted or when SCK goes high.
1	1	1	262 kHz clock: $fx/2^4$	

NOTES:

- 'fxx' = system clock; 'x' means 'don't care.'
- kHz frequency ratings assume a system clock (fxx) running at 4.19 MHz.
- The SIO clock selector circuit cannot select a $fx/2^4$ clock if the CPU clock is $fx/64$.
- It must be selected MSB-first or LSB-first transmission mode before loading the data to SBUF.

SERIAL I/O TIMING DIAGRAMS

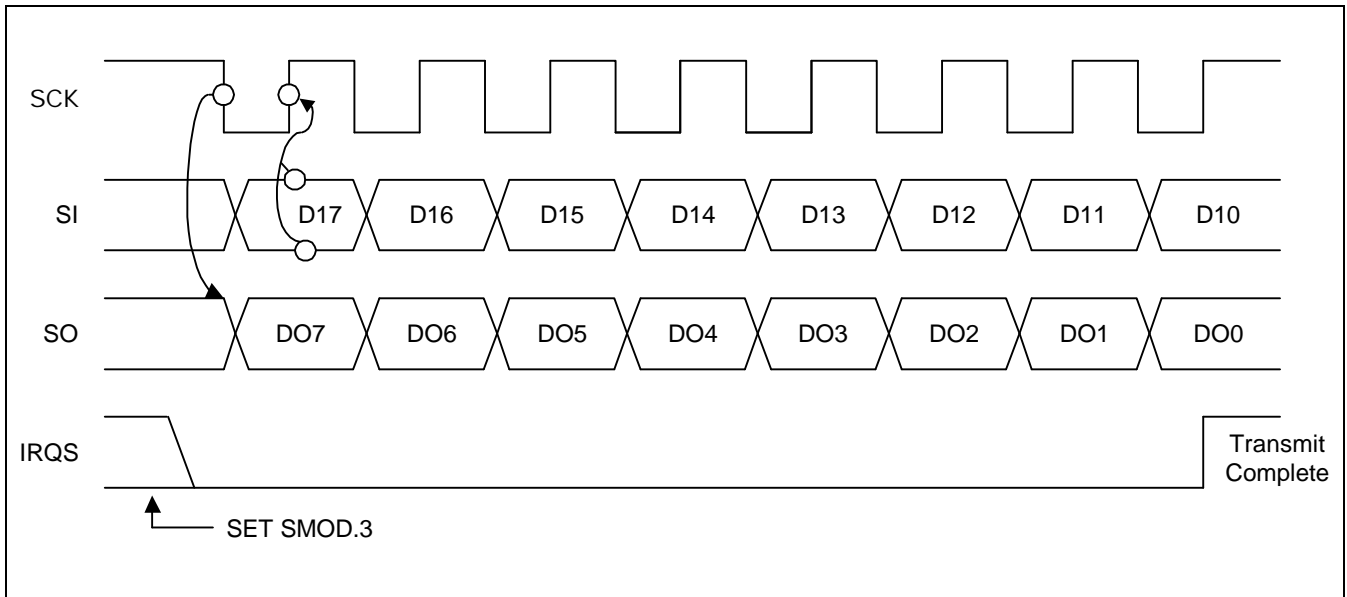


Figure 13-2. SIO Timing in Transmit/Receive Mode

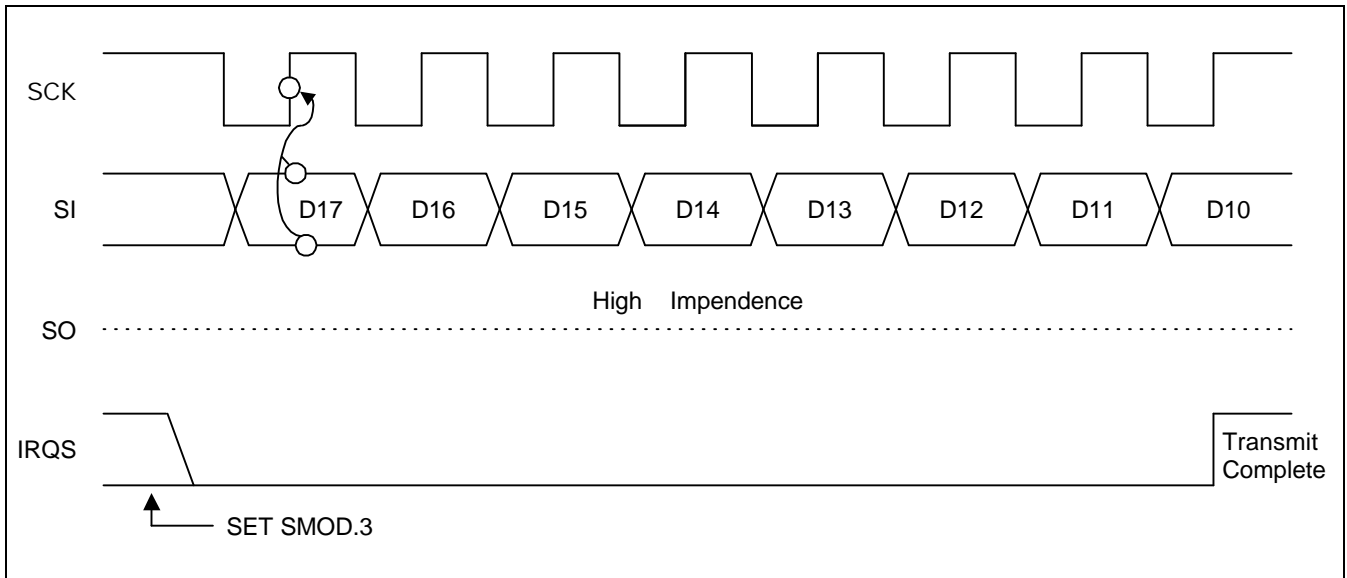


Figure 13-3. SIO Timing in Receive-Only Mode

SERIAL I/O BUFFER REGISTER (SBUF)

The serial I/O buffer register, SBUF, can be read or written using 8-bit RAM control instructions. Following a RESET, the value of SBUF is undetermined.

When the serial interface operates in transmit-and-receive mode (SMOD.1 = "1"), transmit data in the SIO buffer register are output to the SO pin (P0.1) at the rate of one bit for each falling edge of the SIO clock. Receive data are simultaneously input from the SI pin (P0.2) to SBUF at the rate of one bit for each rising edge of the SIO clock. When receive-only mode is used, incoming data are input to the SIO buffer at the rate of one bit for each rising edge of the SIO clock.

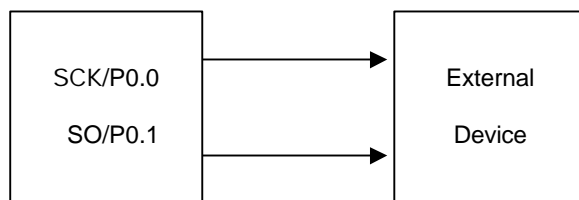
PROGRAMMING TIP — Setting Transmit/Receive Modes for Serial I/O

1. Transmit the data value 48H through the serial I/O interface using an internal clock frequency of $f_{xx}/2$ and in MSB-first mode:

```

BITS      EMB
SMB       15
LD        EA,#03H
LD        PMG1,EA
LD        EA,#0E6H
LD        SMOD,EA           ; P0.0 / SCK and P0.1 / SO ← Output
LD        EA,#48H           ;
LD        SBUF,EA           ;
BITS      SMOD.3           ; SIO data transfer

```



[S3C72P9]

2. Use CPU clock to transfer and receive serial data at high speed:

```

BITS      EMB
SMB       15
LD        EA,#03H
LD        PMG1,EA           ; P0.0 / SCK and P0.1 / SO ← Output, P0.2 / SI
LD        EA,#47H           ;
LD        SMOD,EA           ; ← Input
LD        EA,TDATA
LD        SBUF,EA
BITS      SMOD.3           ; SIO start
BITR      IES
STEST     BTSTZ            IRQS
          JR              STEST
LD        EA,SBUF
SMB       0
LD        RDATA,EA

```

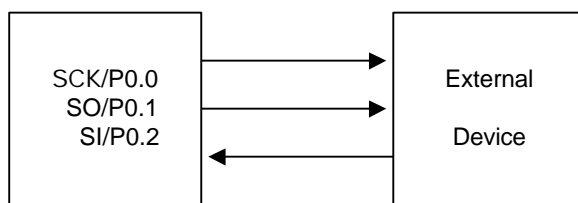
 **PROGRAMMING TIP — Setting Transmit/Receive Modes for Serial I/O (Continued)**

3. Transmit and receive an internal clock frequency of 4.09 kHz (at 4.19 MHz) in LSB-first mode:

```

BITS      EMB
SMB       15
LD        EA,#03H
LD        PMG1,EA
LD        EA,#87H
LD        SMOD,EA          ; P0.0 / SCK and P0.1 / SO ← Output, P0.2/SI ← Input
LD        EA,TDATA
LD        SBUF,EA
BITS      SMOD.3          ; SIO start
EI
BITS      IES
.
.
INTS      PUSH      SB          ; Store SMB, SRB
          PUSH      EA          ; Store EA
          LD        EA,TDATA    ; EA ← Transmit data
          SMB       15
          XCH       EA,SBUF     ; EA ← Receive data
          SMB       0
          LD        RDATA,EA    ; RDATA ← Receive data
          BITS      SMOD.3      ; SIO start
          POP       EA
          POP       SB
          IRET

```



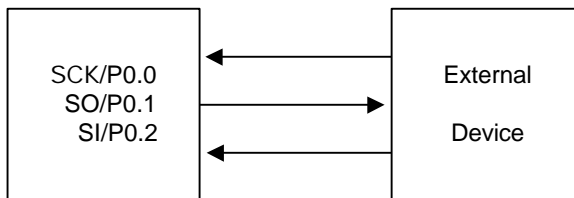
[S3C72P9]

PROGRAMMING TIP — Setting Transmit/Receive Modes for Serial I/O (Continued)

4. Transmit and receive an external clock in LSB-first mode:

```

        BITS      EMB
        SMB       15
        LD        EA,#02H
        LD        PMG1,EA
        LD        EA,#07H
        LD        SMOD,EA          ; P0.1 / SO ← Output, P0.0 / SCK and P0.2 / SI ←
Input
        LD        EA,TDATA
        LD        SBUF,EA
        BITS      SMOD.3          ; SIO start
        EI
        BITS      IES
        .
        .
INTS    PUSH     SB              ; Store SMB, SRB
        PUSH     EA              ; Store EA
        LD        EA,TDATA      ; EA ← Transmit data
        SMB      15
        XCH      EA,SBUF        ; EA ← Receive data
        SMB      0
        LD        RDATA,EA      ; RDATA ← Receive data
        BITS      SMOD.3        ; SIO start
        POP      EA
        POP      SB
        IRET
    
```



[S3C72P9]

High Speed SIO Transmission

 **PROGRAMMING TIP — Setting Transmit/Receive Modes for Serial I/O (Concluded)**

Use CPU clock to transfer and receive serial data at high speed:

```

        BITS        EMB
        SMB         15
        LD          EA,#03H
        LD          PMG1,EA
        LD          EA,#47H
        LD          SMOD, EA          ; P0.0 / SCK and P0.1 / SO " Output, P0.2 / SI " Input
        LD          EA,TDATA
        LD          SBUF,EA
        BITS        SCMOD.3          ; SIO start
        BITR        IES
STEST   BTSTZ      IRQS
        JR          STEST
        LD          EA,SBUF
        SMB         0
        LD          RDATA,EA

```

14 ELECTRICAL DATA

OVERVIEW

In this section, information on S3C72P9 electrical characteristics is presented as tables and graphics. The information is arranged in the following order:

Standard Electrical Characteristics

- Absolute maximum ratings
- D.C. electrical characteristics
- Main system clock oscillator characteristics
- Subsystem clock oscillator characteristics
- I/O capacitance
- A.C. electrical characteristics
- Operating voltage range

Miscellaneous Timing Waveforms

- A.C timing measurement point
- Clock timing measurement at X_{IN}
- Clock timing measurement at XT_{IN}
- TCL timing
- Input timing for RESET
- Input timing for external interrupts
- Serial data transfer timing

Stop Mode Characteristics and Timing Waveforms

- RAM data retention supply voltage in stop mode
- Stop mode release timing when initiated by RESET
- Stop mode release timing when initiated by an interrupt request

Table 14-1. Absolute Maximum Ratings

(T_A = 25 °C)

Parameter	Symbol	Conditions	Rating	Units
Supply Voltage	V _{DD}	–	– 0.3 to + 6.5	V
Input Voltage	V _I	Ports 0–9	– 0.3 to V _{DD} + 0.3	V
Output Voltage	V _O	–	– 0.3 to V _{DD} + 0.3	V
Output Current High	I _{OH}	One I/O pin active	– 15	mA
		All I/O pins active	– 35	
Output Current Low	I _{OL}	One I/O pin active	+ 30 (Peak value)	mA
			+ 15 (note)	
		Total for ports 0, 2–9	+ 100 (Peak value)	
			+ 60 (note)	
Operating Temperature	T _A	–	– 40 to + 85	°C
Storage Temperature	T _{STG}	–	– 65 to + 150	°C

NOTE: The values for Output Current Low (I_{OL}) are calculated as Peak Value × √Duty .

Table 14-2. D.C. Electrical Characteristics

(T_A = – 40 °C to + 85 °C, V_{DD} = 1.8 V to 5.5 V)

Parameter	Symbol	Conditions	Min	Typ	Max	Units
Input High Voltage	V _{IH1}	All input pins except those specified below for V _{IH2} –V _{IH3}	0.7V _{DD}	–	V _{DD}	V
	V _{IH2}	Ports 0, 1, 6, P3.2, P3.3, and RESET	0.8V _{DD}		V _{DD}	
	V _{IH3}	X _{IN} , X _{OUT} , and XT _{IN}	V _{DD} – 0.1		V _{DD}	
Input Low Voltage	V _{IL1}	All input pins except those specified below for V _{IL2} –V _{IL3}	–	–	0.3V _{DD}	V
	V _{IL2}	Ports 0, 1, 6, P3.2, P3.3, and RESET			0.2V _{DD}	
	V _{IL3}	X _{IN} , X _{OUT} , and XT _{IN}			0.1	
Output High Voltage	V _{OH}	V _{DD} = 4.5 V to 5.5 V I _{OH} = – 1 mA Ports 0, 2–9	V _{DD} – 1.0	–	–	V
Output Low Voltage	V _{OL}	V _{DD} = 4.5 V to 5.5 V I _{OL} = 15 mA Ports 0, 2–9	–	–	2.0	V

Table 14-2. D.C. Electrical Characteristics (Continued)

 $(T_A = -40\text{ }^\circ\text{C to } +85\text{ }^\circ\text{C}, V_{DD} = 1.8\text{ V to } 5.5\text{ V})$

Parameter	Symbol	Conditions	Min	Typ	Max	Units
Input High Leakage Current	I_{LH1}	$V_I = V_{DD}$ All input pins except those specified below for I_{LH2}	–	–	3	μA
	I_{LH2}	$V_I = V_{DD}$ X_{IN} , X_{OUT} , XT_{IN} , and RESET			20	
Input Low Leakage Current	I_{LIL1}	$V_I = 0\text{ V}$ X_{IN} , X_{OUT} , and XT_{IN}	–	–	– 3	μA
	I_{LIL2}	$V_I = 0\text{ V}$ X_{IN} , X_{OUT} , and XT_{IN}			– 20	
Output High Leakage Current	I_{LOH}	$V_O = V_{DD}$ All output pins	–	–	3	μA
Output Low Leakage Current	I_{LOL}	$V_O = 0\text{ V}$ All output pins	–	–	– 3	μA
Pull-Up Resistor	R_{L1}	$V_I = 0\text{ V}; V_{DD} = 5\text{ V}$ Port 0–9	25	47	100	$\text{k}\Omega$
		$V_{DD} = 3\text{ V}$	50	95	200	
	R_{L2}	$V_I = 0\text{ V}; V_{DD} = 5\text{ V}, \text{RESET}$	100	220	400	
		$V_{DD} = 3\text{ V}$	200	450	800	
LCD Voltage Dividing Resistor	R_{LCD}	$T_A = 25\text{ }^\circ\text{C}$	25	60	80	$\text{k}\Omega$
$ V_{DD-COMi} $ Voltage Drop ($i = 0-15$)	V_{DC}	– 15 μA per common pin	–	–	120	mV
$ V_{DD-SEGx} $ Voltage Drop ($x = 0-55$)	V_{DS}	– 15 μA per segment pin	–	–	120	
V_{LC1} Output Voltage	V_{LC1}	LCD clock = 0 Hz, $V_{LC5} = 0\text{ V}$	$0.8V_{DD}-0.2$	$0.8V_{DD}$	$0.8V_{DD}+0.2$	V
V_{LC2} Output Voltage	V_{LC2}		$0.6V_{DD}-0.2$	$0.6V_{DD}$	$0.6V_{DD}+0.2$	
V_{LC3} Output Voltage	V_{LC3}		$0.4V_{DD}-0.2$	$0.4V_{DD}$	$0.4V_{DD}+0.2$	
V_{LC4} Output Voltage	V_{LC4}		$0.2V_{DD}-0.2$	$0.2V_{DD}$	$0.2V_{DD}+0.2$	

Table 14-2. D.C. Electrical Characteristics (Concluded)

(T_A = -40 °C to +85 °C, V_{DD} = 1.8 V to 5.5 V)

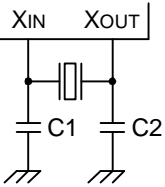
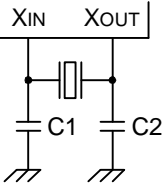
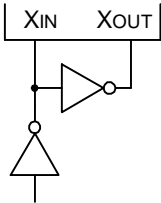
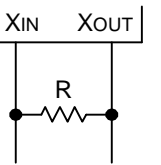
Parameter	Symbol	Conditions		Min	Typ	Max	Units			
Supply Current	I _{DD1} ⁽²⁾	V _{DD} = 5 V ± 10%	6.0 MHz	-	3.9	8.0	mA			
		Crystal oscillator C1 = C2 = 22 pF	4.19 MHz		2.9	5.5				
	I _{DD2} ⁽²⁾	V _{DD} = 3 V ± 10%	6.0 MHz		1.8	4.0				
			4.19 MHz		1.3	3.0				
	I _{DD2} ⁽²⁾	Idle mode; V _{DD} = 5 V ± 10%	6.0 MHz		1.3	2.5				
		Crystal oscillator C1 = C2 = 22 pF	4.19 MHz		1.2	1.8				
	I _{DD2} ⁽²⁾	V _{DD} = 3 V ± 10%	6.0 MHz		0.5	1.5				
			4.19 MHz		0.44	1.0				
	I _{DD3} ⁽³⁾	V _{DD} = 3 V ± 10%	32 kHz crystal oscillator		-	15.3		30	μA	
	I _{DD4} ⁽³⁾	Idle mode; V _{DD} = 3 V ± 10%	32 kHz crystal oscillator		-	6.4		15		
I _{DD5}	Stop mode; V _{DD} = 5 V ± 10%	SCMOD =	0000B	-	2.5	5				
	Stop mode; V _{DD} = 3 V ± 10%	XT =	0V	-	0.5	3				
	Stop mode; V _{DD} = 5 V ± 10%	SCMOD =	0100B	-	0.2	3				
	Stop mode; V _{DD} = 3 V ± 10%			-	0.1	2				

NOTES:

1. Data includes power consumption for subsystem clock oscillation.
2. When the system clock control register, SCMOD, is set to 1001B, main system clock oscillation stops and the subsystem clock is used.
3. Currents in the following circuits are not included; on-chip pull-up resistors, internal LCD voltage dividing resistors, output port drive currents.

Table 14-3. Main System Clock Oscillator Characteristics

(T_A = -40 °C + 85 °C, V_{DD} = 1.8 V to 5.5 V)

Oscillator	Clock Configuration	Parameter	Test Condition	Min	Typ	Max	Units
Ceramic Oscillator		Oscillation frequency ⁽¹⁾	–	0.4	–	6.0	MHz
		Stabilization time ⁽²⁾	Stabilization occurs when V _{DD} is equal to the minimum oscillator voltage range; V _{DD} = 3.0 V.	–	–	4	ms
Crystal Oscillator		Oscillation frequency ⁽¹⁾	–	0.4	–	6.0	MHz
		Stabilization time ⁽²⁾	V _{DD} = 3.0 V	–	–	10	ms
			V _{DD} = 2.0 V to 5.5 V	–	–	30	
External Clock		X _{IN} input frequency ⁽¹⁾	–	0.4	–	6.0	MHz
		X _{IN} input high and low level width (t _{XH} , t _{XL})	–	83.3	–	1250	ns
RC Oscillator		Frequency	R = 20 kΩ, V _{DD} = 5 V	–	2	–	MHz
			R = 39 kΩ, V _{DD} = 3 V	–	1	–	

NOTES:

- Oscillation frequency and X_{IN} input frequency data are for oscillator characteristics only.
- Stabilization time is the interval required for oscillator stabilization after a power-on occurs, or when stop mode is terminated.

Table 14-4. Recommended Oscillator Constants

(T_A = -40 °C + 85 °C, V_{DD} = 1.8 V to 5.5 V)

Manufacturer	Series Number ⁽¹⁾	Frequency Range	Load Cap (pF)		Oscillator Voltage Range (V)		Remarks
			C1	C2	MIN	MAX	
TDK	FCR 05M5	3.58 MHz–6.0 MHz	33	33	2.0	5.5	Leaded Type
	FCR 05MC5	3.58 MHz–6.0 MHz	(2)	(2)	2.0	5.5	On-chip C Leaded Type
	CCR 05MC3	3.58 MHz–6.0 MHz	(3)	(3)	2.0	5.5	On-chip C SMD Type

NOTES:

1. Please specify normal oscillator frequency.
2. On-chip C: 30pF built in.
3. On-chip C: 38pF built in.

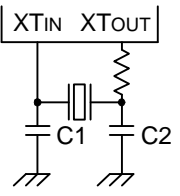
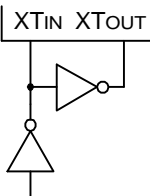
Table 14-5. LCD Contrast Controller Characteristics

(T_A = -40 °C + 85 °C, V_{DD} = 4.5 V to 5.5 V)

Parameter	Symbol	Condition	Min	Typ	Max	Units
Resolution	–	–	–	–	4	Bits
Voltage Accuracy	V _{LCON}	–	–	–	200	mV
Max Output Voltage (LCNST = #8FH)	V _{LC5}	V _{DD} =5V	0	–	0.1	V

Table 14-6. Subsystem Clock Oscillator Characteristics

(T_A = -40 °C + 85 °C, V_{DD} = 1.8 V to 5.5 V)

Oscillator	Clock Configuration	Parameter	Test Condition	Min	Typ	Max	Units
Crystal Oscillator		Oscillation frequency (1)	–	32	32.768	35	kHz
		Stabilization time (2)	V _{DD} = 2.7 V to 5.5 V	–	1.0	2	s
			V _{DD} = 2.0 V to 5.5 V	–	–	10	
External Clock		XT _{IN} input frequency (1)	–	32	–	100	kHz
		XT _{IN} input high and low level width (t _{XTL} , t _{XTH})	–	5	–	15	μs

NOTES:

- Oscillation frequency and XT_{IN} input frequency data are for oscillator characteristics only.
- Stabilization time is the interval required for oscillating stabilization after a power-on occurs.

Table 14-7. Input/Output Capacitance

(T_A = 25 °C, V_{DD} = 0 V)

Parameter	Symbol	Condition	Min	Typ	Max	Units
Input Capacitance	C _{IN}	f = 1 MHz; Unmeasured pins are returned to V _{SS}	–	–	15	pF
Output Capacitance	C _{OUT}		–	–	15	pF
I/O Capacitance	C _{IO}		–	–	15	pF

Table 14-8. A.C. Electrical Characteristics

(T_A = -40 °C to +85 °C, V_{DD} = 1.8 V to 5.5 V)

Parameter	Symbol	Conditions	Min	Typ	Max	Units
Instruction Cycle Time <small>(note)</small>	t _{CY}	V _{DD} = 2.7 V to 5.5 V	0.67	–	64	μs
		V _{DD} = 2.0 V to 5.5 V	0.95		64	
TCL0, TCL1 Input Frequency	f _{TIO} , f _{T11}	V _{DD} = 2.7 V to 5.5 V	0	–	1.5	MHz
		V _{DD} = 2.0 V to 5.5 V			1	
TCL0, TCL1 Input High, Low Width	t _{TIH0} , t _{TIL0} t _{TIH1} , t _{TIL1}	V _{DD} = 2.7 V to 5.5 V	0.48	–	–	μs
		V _{DD} = 2.0 V to 5.5 V	1.8			
SCK Cycle Time	t _{KCY}	V _{DD} = 2.7 V to 5.5 V; Input	800	–	–	ns
		Internal SCK source; Output	650			
		V _{DD} = 2.0 V to 5.5 V; Input	3200			
		Internal SCK source; Output	3800			
SCK High, Low Width	t _{KH} , t _{KL}	V _{DD} = 2.7 V to 5.5 V; Input	325	–	–	ns
		Internal SCK source; Output	t _{KCY} /2 – 50			
		V _{DD} = 2.0 V to 5.5 V; Input	1600			
		Internal SCK source; Output	t _{KCY} /2 – 150			
SI Setup Time to SCK High	t _{SIK}	V _{DD} = 2.7 V to 5.5 V; Input	100	–	–	ns
		V _{DD} = 2.7 V to 5.5 V; Output	150			
		V _{DD} = 2.0 V to 5.5 V; Input	150			
		V _{DD} = 2.0 V to 5.5 V; Output	500			
SI Hold Time to SCK High	t _{KSI}	V _{DD} = 2.7 V to 5.5 V; Input	400	–	–	ns
		V _{DD} = 2.7 V to 5.5 V; Output	400			
		V _{DD} = 2.0 V to 5.5 V; Input	600			
		V _{DD} = 2.0 V to 5.5 V; Output	500			

NOTE: Unless otherwise specified, Instruction Cycle Time condition values assume a main system clock (f_x) source.

Table 14-8. A.C. Electrical Characteristics (Continued)

($T_A = -40\text{ }^\circ\text{C}$ to $+85\text{ }^\circ\text{C}$, $V_{DD} = 1.8\text{ V}$ to 5.5 V)

Parameter	Symbol	Conditions	Min	Typ	Max	Units
Output Delay for SCK to SO	t_{KSO}	$V_{DD} = 2.7\text{ V}$ to 5.5 V ; Input	-	-	300	ns
		$V_{DD} = 2.7\text{ V}$ to 5.5 V ; Output			250	
		$V_{DD} = 2.0\text{ V}$ to 5.5 V ; Input			1000	
		$V_{DD} = 2.0\text{ V}$ to 5.5 V ; Output			1000	
Interrupt Input High, Low Width	t_{INTH} , t_{INTL}	INT0, INT1, INT2, INT4, K0-K7	10	-	-	μs
RESET Input Low Width	t_{RSL}	Input	10	-	-	μs

NOTE: Minimum value for INT0 is based on a clock of $2t_{CY}$ or $128/f_x$ as assigned by the IMOD0 register setting.

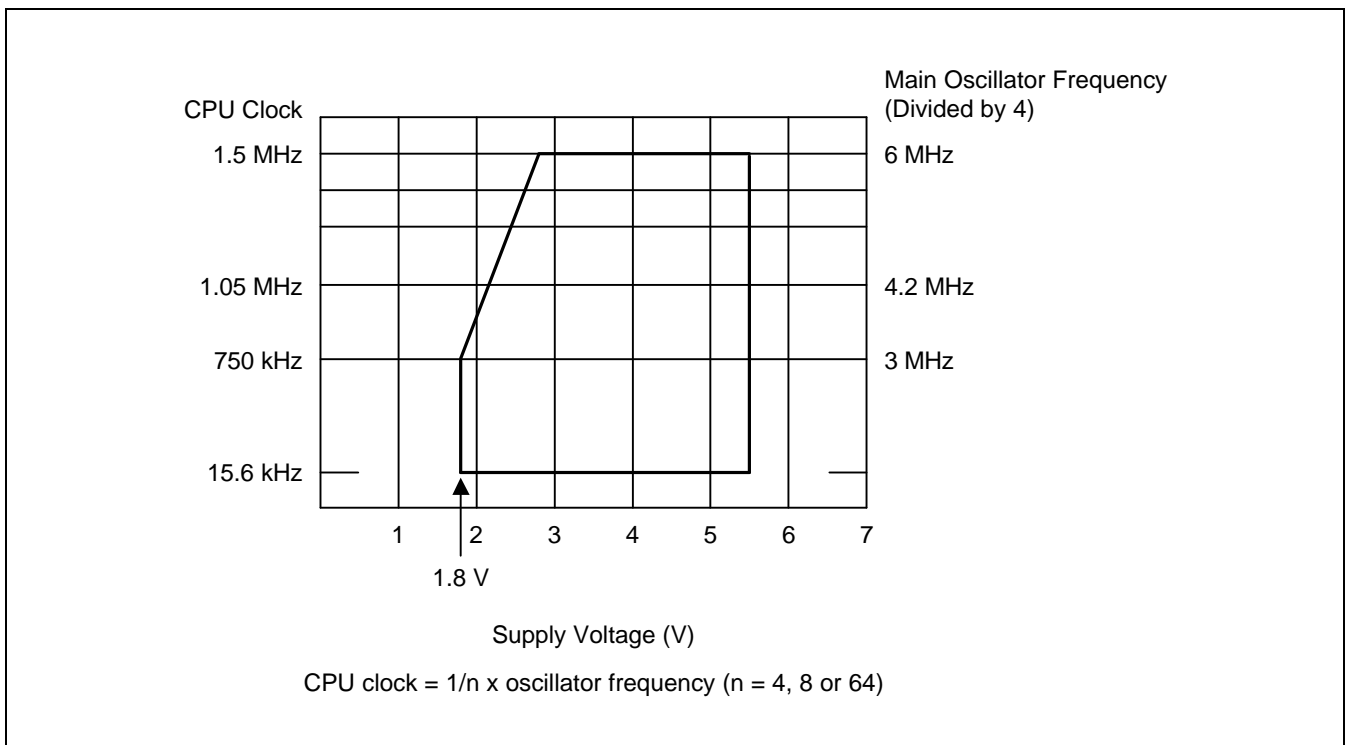


Figure 14-1. Standard Operating Voltage Range

Table 14-9. RAM Data Retention Supply Voltage in Stop Mode

(T_A = -40 °C to +85 °C)

Parameter	Symbol	Conditions	Min	Typ	Max	Unit
Data retention supply voltage	V _{DDDR}	–	1.8	–	5.5	V
Data retention supply current	I _{DDDR}	V _{DDDR} = 1.8 V	–	0.1	10	μA
Release signal set time	t _{SREL}	–	0	–	–	μs
Oscillator stabilization wait time (1)	t _{WAIT}	Released by RESET	–	2 ¹⁷ /fx	–	ms
		Released by interrupt	–	(2)	–	

NOTES:

1. During oscillator stabilization wait time, all CPU operations must be stopped to avoid instability during oscillator start-up.
2. Use the basic timer mode register (BMOD) interval timer to delay execution of CPU instructions during the wait time.

TIMING WAVEFORMS

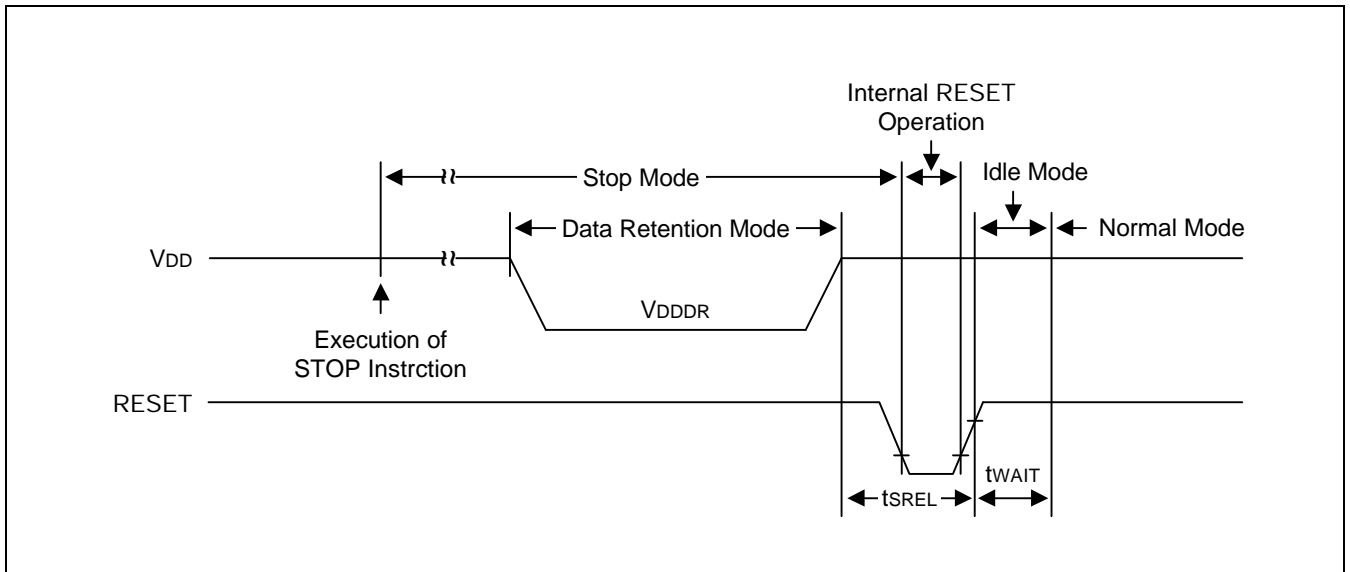


Figure 14-2. Stop Mode Release Timing When Initiated by RESET

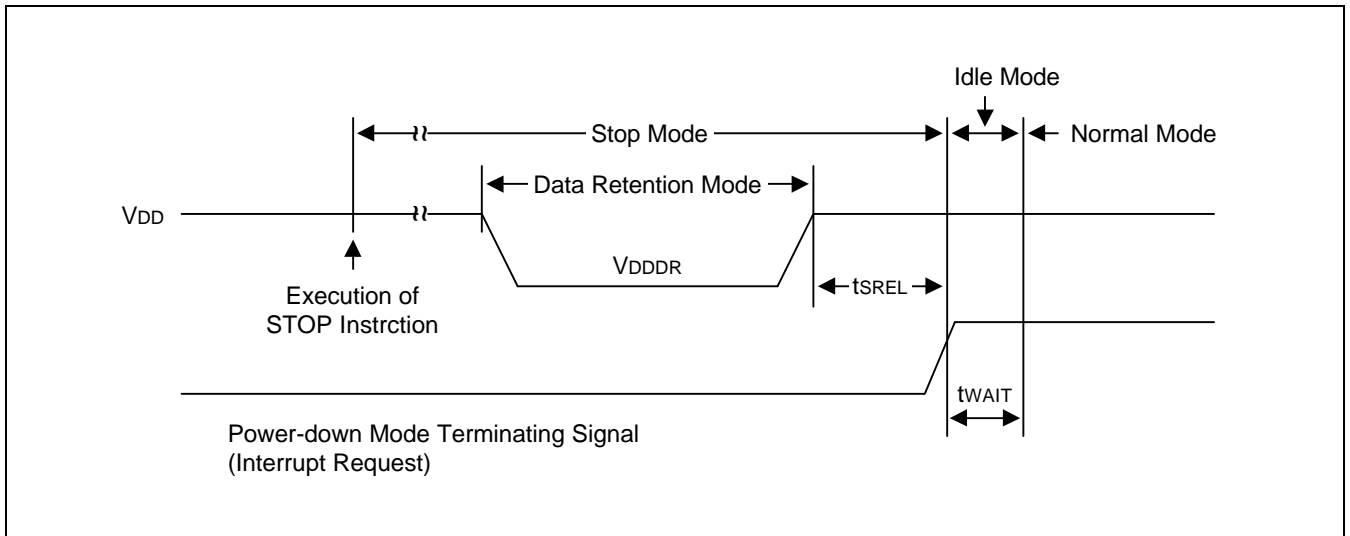


Figure 14-3. Stop Mode Release Timing When Initiated by Interrupt Request

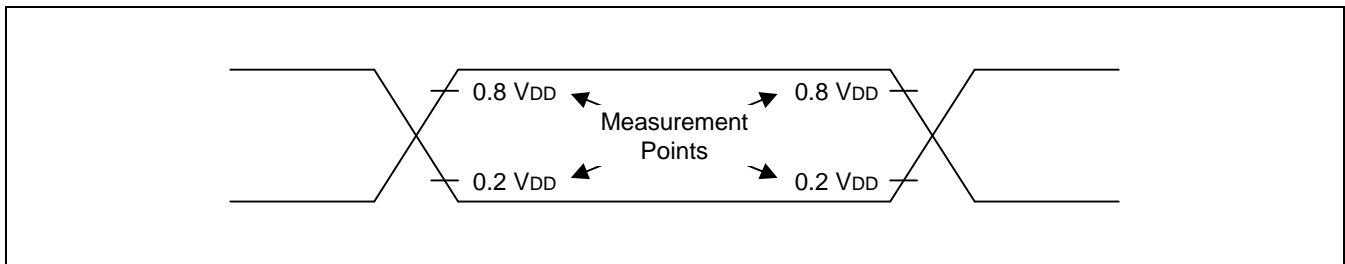


Figure 14-4. A.C. Timing Measurement Points (Except for X_{IN} and XT_{IN})

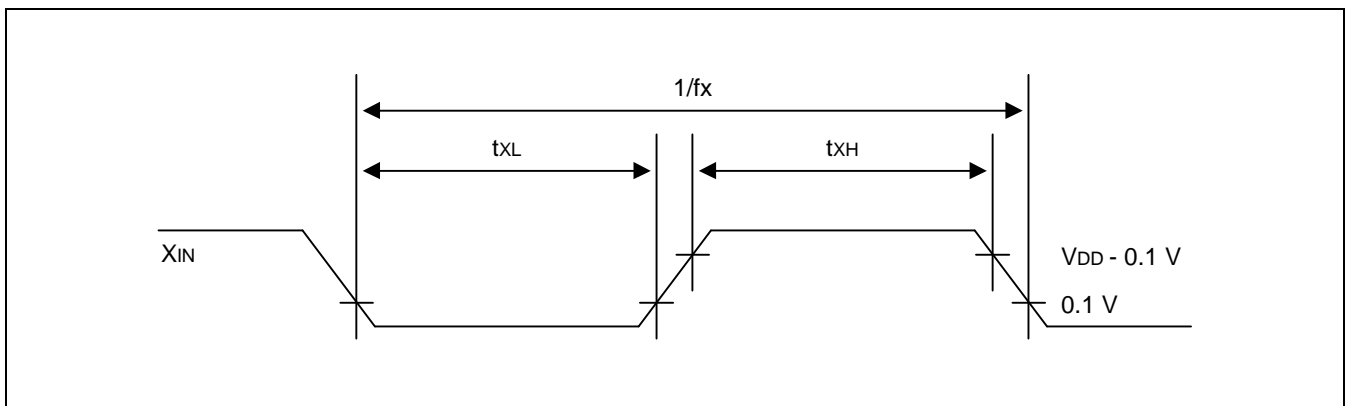


Figure 14-5. Clock Timing Measurement at X_{IN}

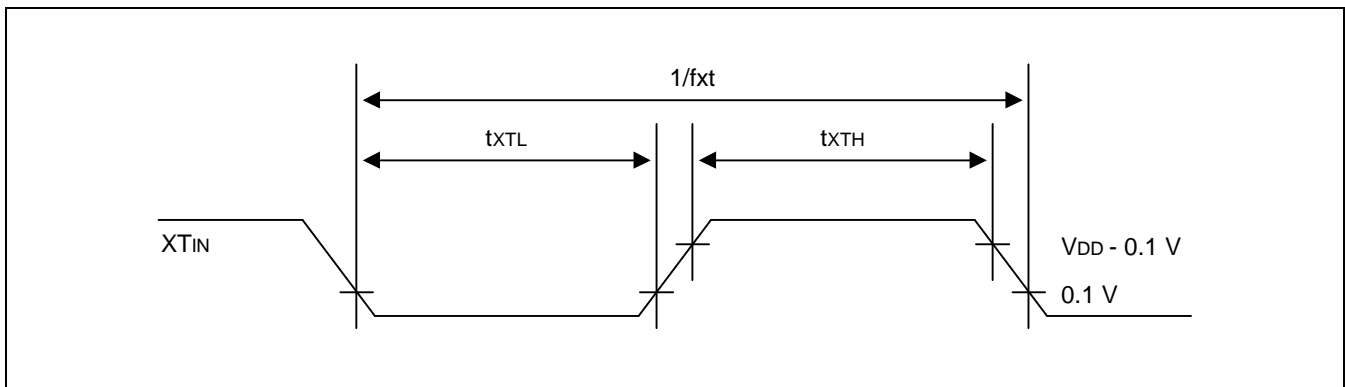


Figure 14-6. Clock Timing Measurement at XT_{IN}

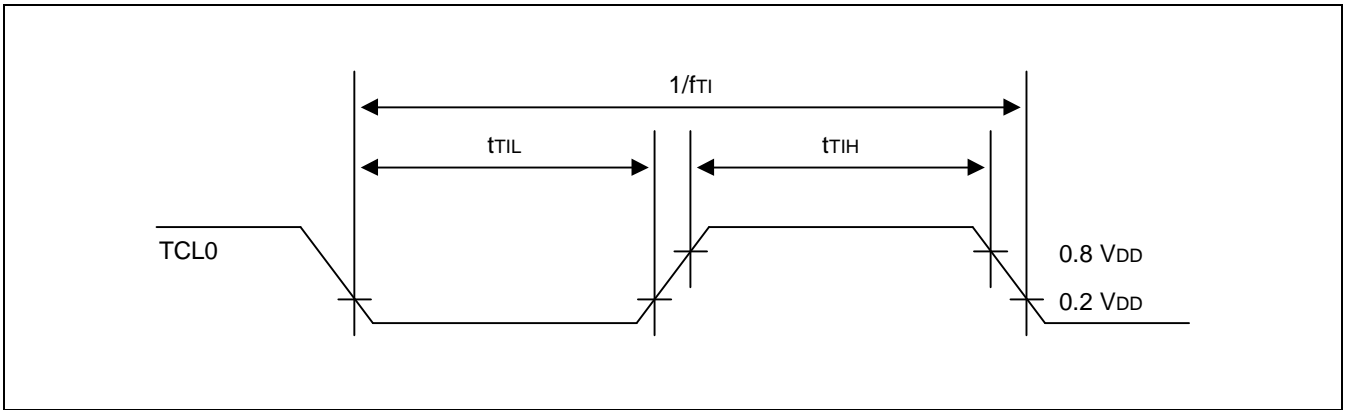


Figure 14-7. TCL Timing

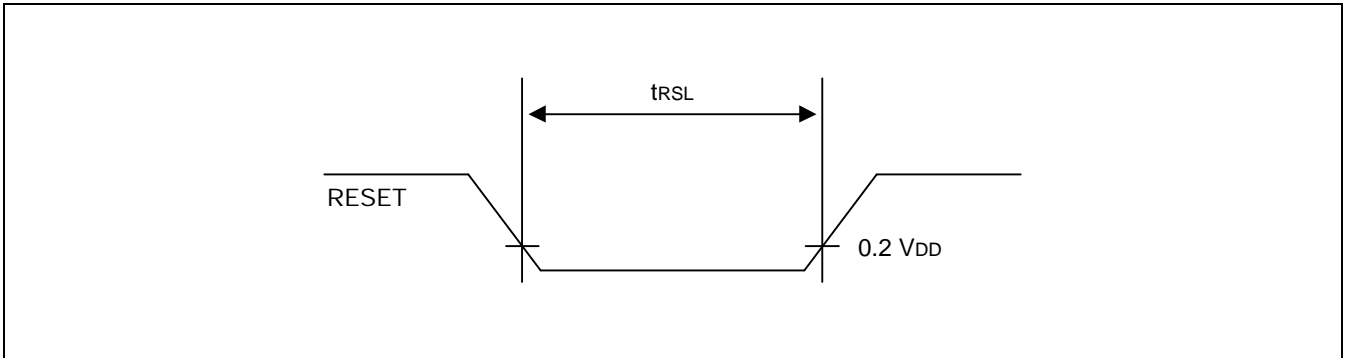


Figure 14-8. Input Timing for RESET Signal

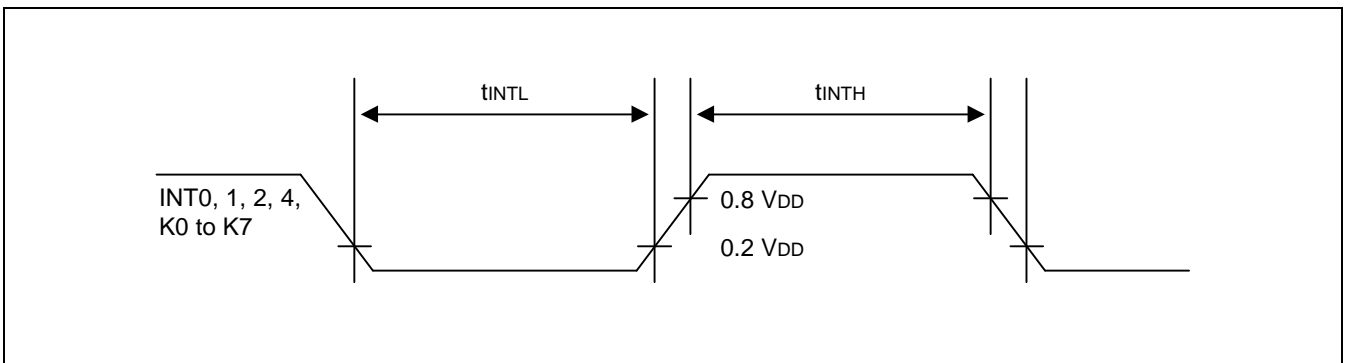


Figure 14-9. Input Timing for External Interrupts and Quasi-Interrupts

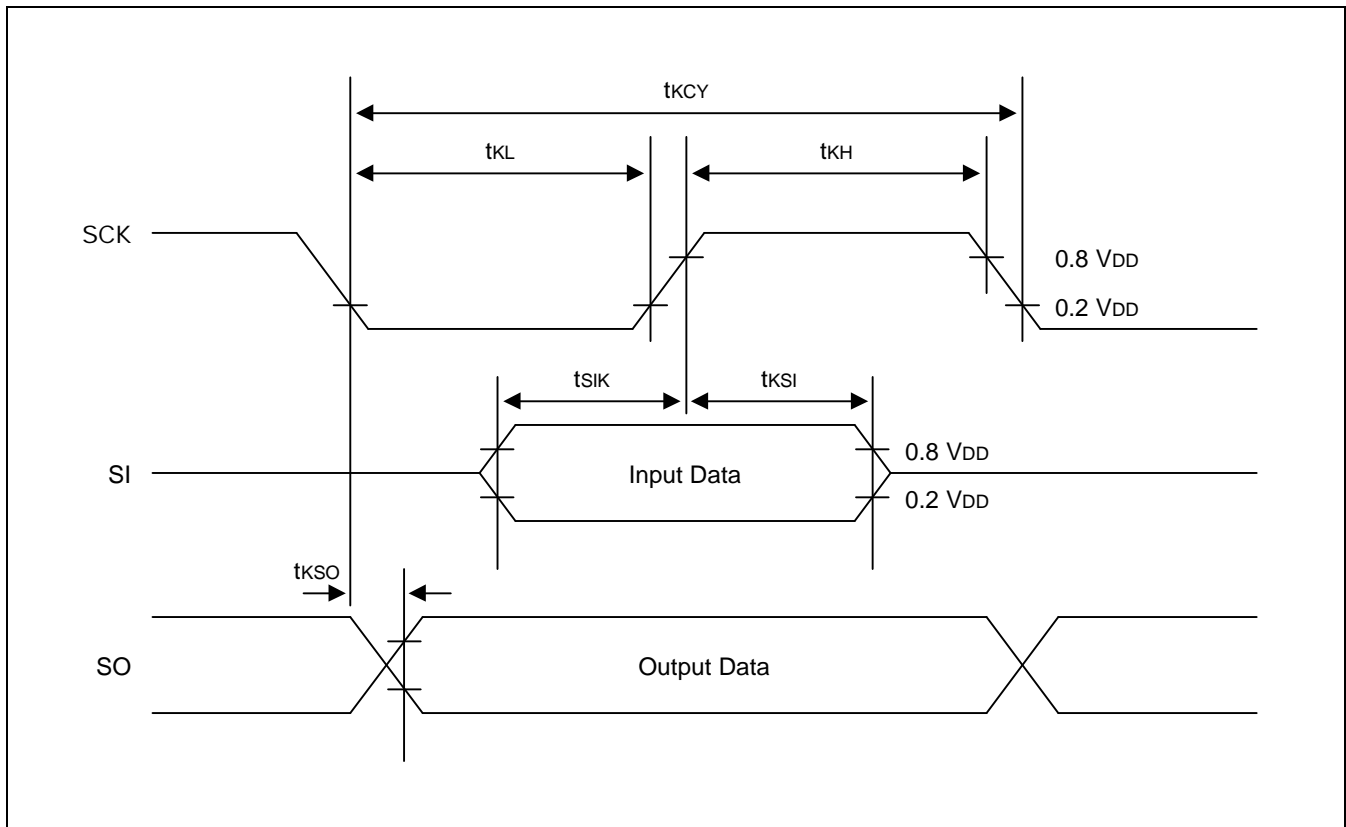


Figure 14-10. Serial Data Transfer Timing

15

MECHANICAL DATA

OVERVIEW

This section contains the following information about the device package:

- Package dimensions in millimeters
- Pad diagram
- Pad/pin coordinate data table

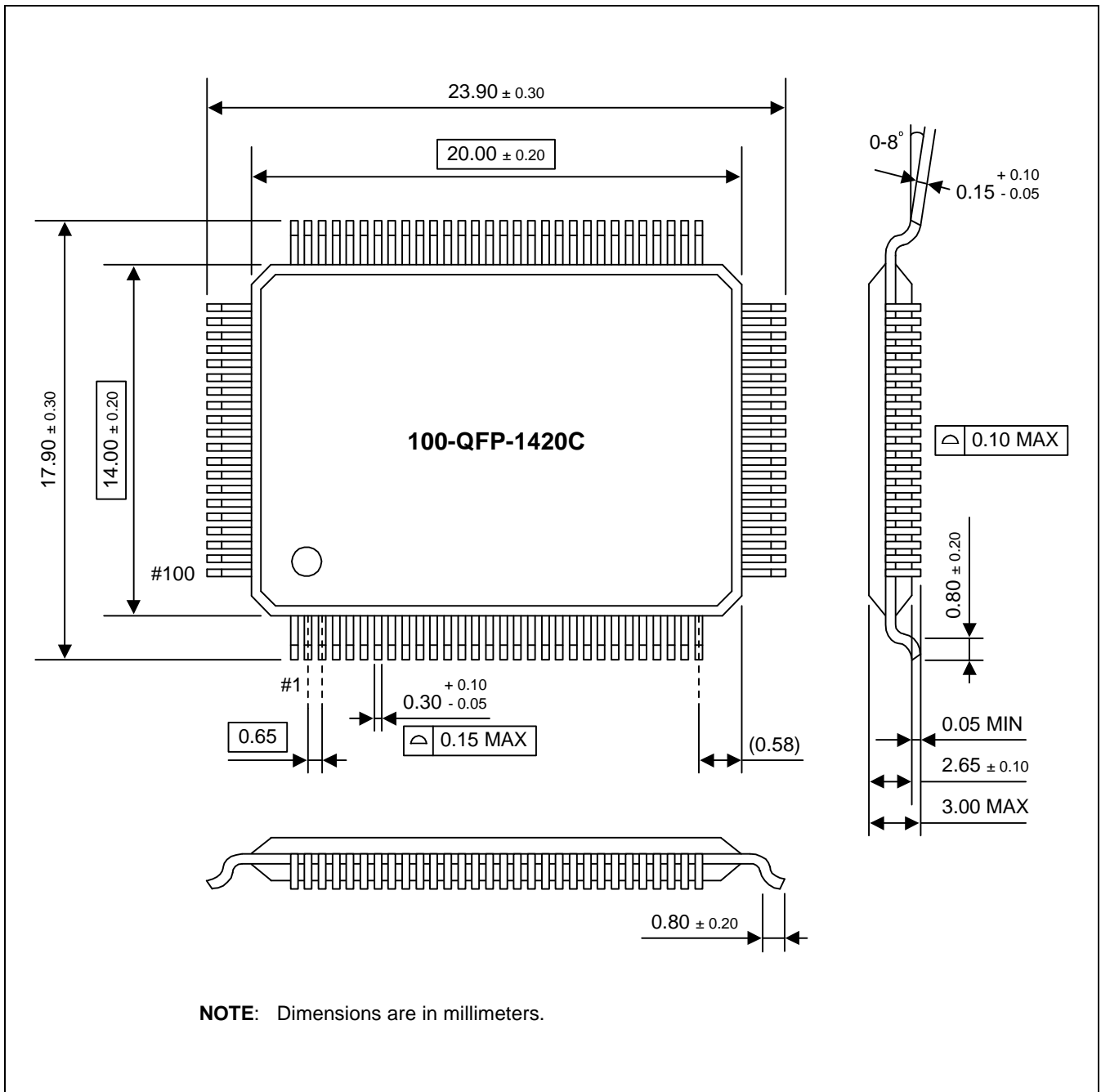


Figure 15-1. 100-QFP-1420C Package Dimensions

16

S3P72P9 OTP

OVERVIEW

The S3P72P9 single-chip CMOS microcontroller is the OTP (One Time Programmable) version of the S3C72P9 microcontroller. It has an on-chip OTP ROM instead of masked ROM. The EPROM is accessed by serial data format.

The S3P72P9 is fully compatible with the S3C72P9, both in function and in pin configuration. Because of its simple programming requirements, the S3P72P9 is ideal for use as an evaluation chip for the S3C72P9.

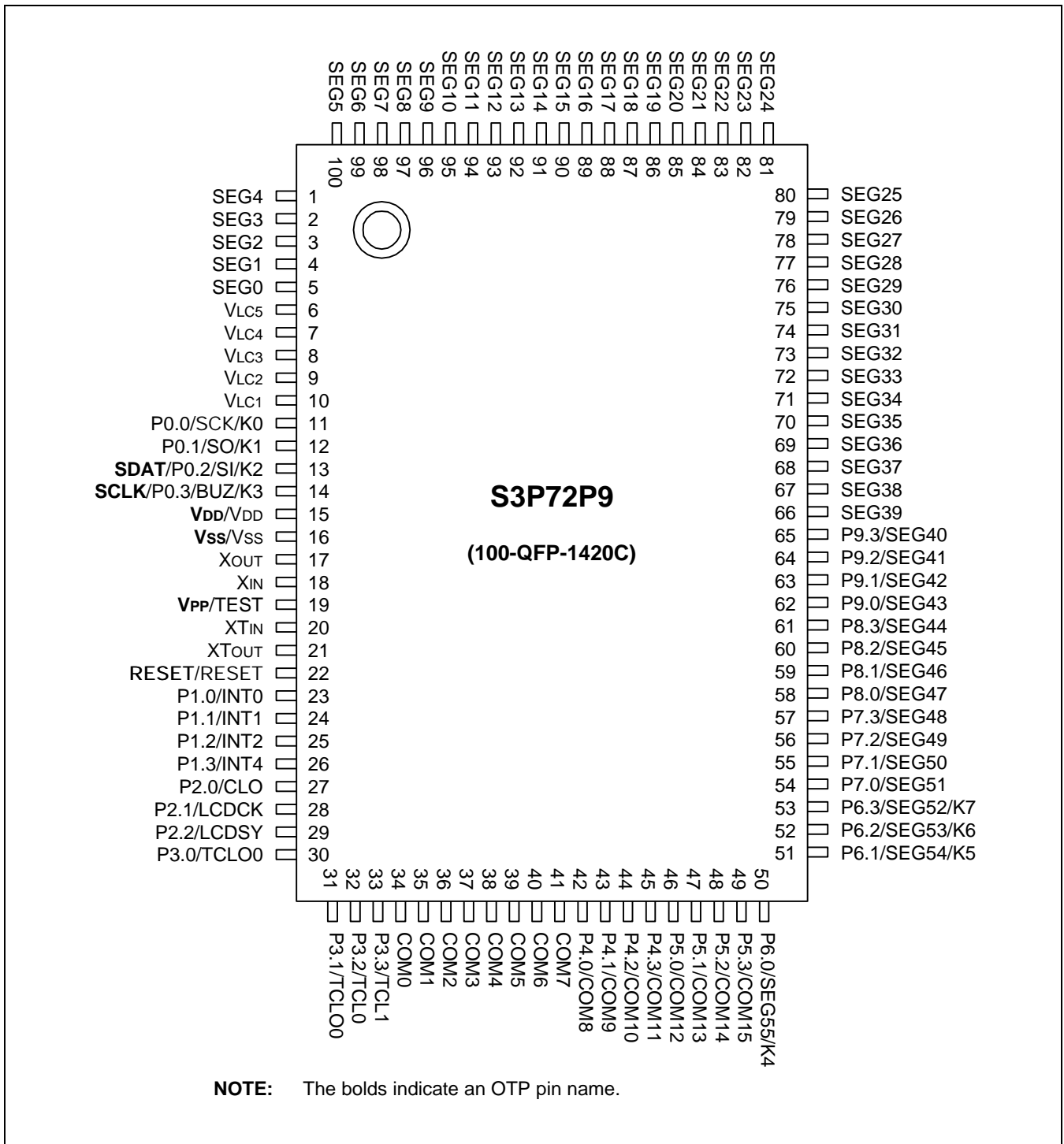


Figure 16-1. S3P72P9 Pin Assignments (100-QFP Package)

Table 16-1. Descriptions of Pins Used to Read/Write the EPROM

Main Chip Pin Name	During Programming			
	Pin Name	Pin No.	I/O	Function
P0.2	SDAT	13	I/O	Serial data pin. Output port when reading and input port when writing. Can be assigned as a Input/push-pull output port.
P0.3	SCLK	14	I/O	Serial clock pin. Input only pin.
TEST	$V_{PP}(\text{TEST})$	19	I	Power supply pin for EPROM cell writing (indicates that OTP enters into the writing mode). When 12.5 V is applied, OTP is in writing mode and when 5 V is applied, OTP is in reading mode. (Option)
RESET	RESET	22	I	Chip initialization
V_{DD}/V_{SS}	V_{DD}/V_{SS}	15/16	I	Logic power supply pin. V_{DD} should be tied to + 5 V during programming.

Table 16-2. Comparison of S3P72P9 and S3C72P9 Features

Characteristic	S3P72P9	S3C72P9
Program Memory	16 KByte EPROM	16 KByte mask ROM
Operating Voltage (V_{DD})	1.8 V to 5.5 V	1.8 V to 5.5 V
OTP Programming Mode	$V_{DD} = 5 \text{ V}$, $V_{PP}(\text{TEST})=12.5\text{V}$	
Pin Configuration	100 QFP	100 QFP
EPROM Programmability	User Program 1 time	Programmed at the factory

OPERATING MODE CHARACTERISTICS

When 12.5 V is supplied to the $V_{PP}(\text{TEST})$ pin of the S3P72P9, the EPROM programming mode is entered. The operating mode (read, write, or read protection) is selected according to the input signals to the pins listed in Table 16-3 below.

Table 16-3. Operating Mode Selection Criteria

V_{DD}	$V_{PP}(\text{TEST})$	REG/ MEM	Address (A15-A0)	R/W	Mode
5 V	5 V	0	0000H	1	EPROM read
	12.5 V	0	0000H	0	EPROM program
	12.5 V	0	0000H	1	EPROM verify
	12.5 V	1	0E3FH	0	EPROM read protection

NOTE: "0" means Low level; "1" means High level.

Table 16-4. D.C. Electrical Characteristics

(T_A = -40 °C to +85 °C, V_{DD} = 1.8 V to 5.5 V)

Parameter	Symbol	Conditions		Min	Typ	Max	Units			
Supply Current	I _{DD1} (2)	V _{DD} = 5 V ± 10%	6.0 MHz	-	3.9	8.0	mA			
		Crystal oscillator C1 = C2 = 22 pF	4.19 MHz		2.9	5.5				
	I _{DD2} (2)	V _{DD} = 3 V ± 10%	6.0 MHz		1.8	4.0				
			4.19 MHz		1.3	3.0				
	I _{DD2} (2)	Idle mode; V _{DD} = 5 V ± 10%	6.0 MHz		1.3	2.5				
		Crystal oscillator C1 = C2 = 22 pF	4.19 MHz		1.2	1.8				
	I _{DD2} (2)	V _{DD} = 3 V ± 10%	6.0 MHz		0.5	1.5				
			4.19 MHz		0.44	1.0				
	I _{DD3} (3)	V _{DD} = 3 V ± 10%	32 kHz crystal oscillator		-	15.3		30	μA	
	I _{DD4} (3)	Idle mode; V _{DD} = 3 V ± 10%	32 kHz crystal oscillator			6.4		15		
I _{DD5}	Stop mode; V _{DD} = 5 V ± 10%	SCMOD = 0000B XT = 0V		2.5	5					
	Stop mode; V _{DD} = 3 V ± 10%			0.5	3					
	Stop mode; V _{DD} = 5 V ± 10%	SCMOD = 0100B		0.2	3					
	Stop mode; V _{DD} = 3 V ± 10%			0.1	2					

NOTES:

1. Data includes power consumption for subsystem clock oscillation.
2. When the system clock control register, SCMOD, is set to 1001B, main system clock oscillation stops and the subsystem clock is used.
3. Currents in the following circuits are not included; on-chip pull-up resistors, internal LCD voltage dividing resistors, output port drive currents.

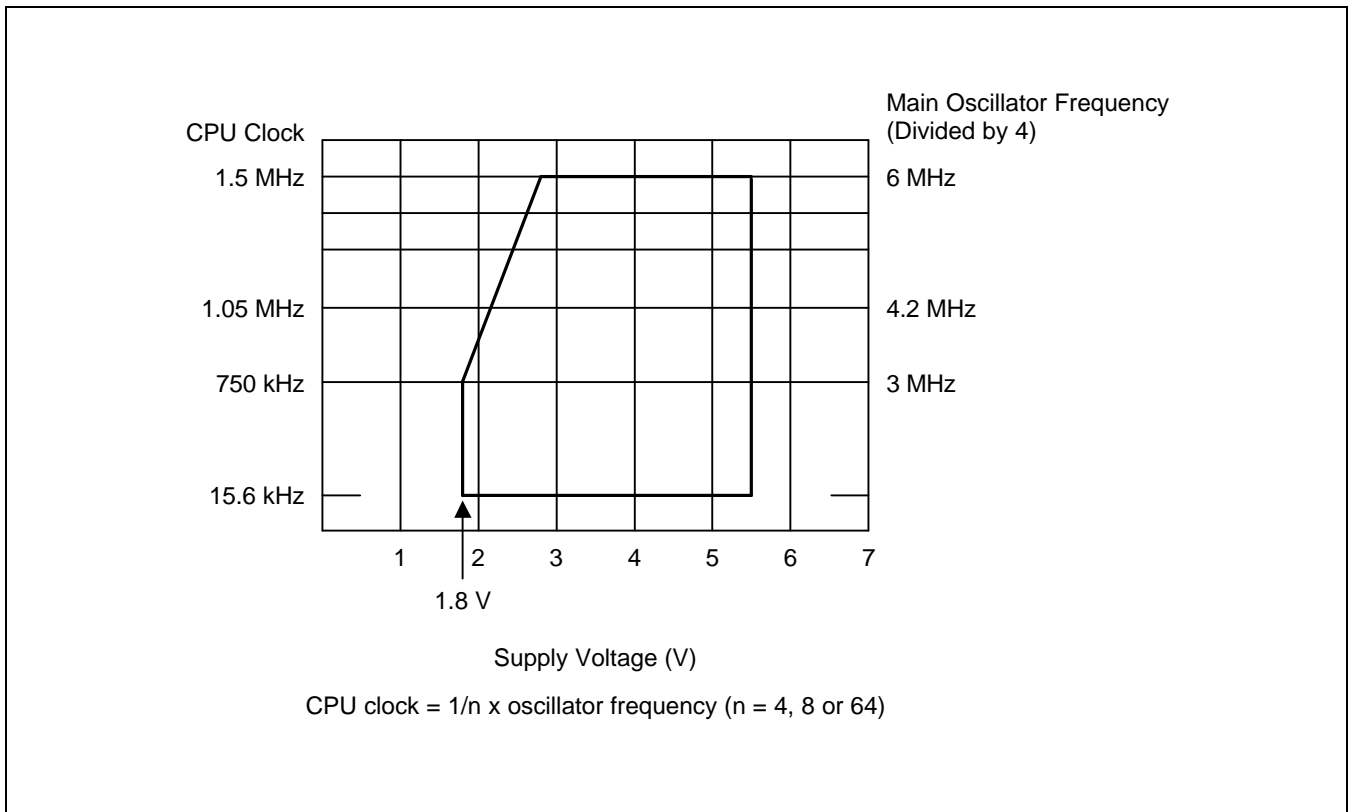


Figure 16-2. Standard Operating Voltage Range

17

DEVELOPMENT TOOLS

OVERVIEW

Samsung provides a powerful and easy-to-use development support system in turnkey form. The development support system is configured with a host system, debugging tools, and support software. For the host system, any standard computer that operates with MS-DOS as its operating system can be used. One type of debugging tool including hardware and software is provided: the sophisticated and powerful in-circuit emulator, SMDS2+, for S3C7, S3C8, S3C9 families of microcontrollers. The SMDS2+ is a new and improved version of SMDS2. Samsung also offers support software that includes debugger, assembler, and a program for setting options.

SHINE

Samsung Host Interface for In-Circuit Emulator, SHINE, is a multi-window based debugger for SMDS2+. SHINE provides pull-down and pop-up menus, mouse support, function/hot keys, and context-sensitive hyper-linked help. It has an advanced, multiple-windowed user interface that emphasizes ease of use. Each window can be sized, moved, scrolled, highlighted, added, or removed completely.

SAMA ASSEMBLER

The Samsung Arrangeable Microcontroller (SAM) Assembler, SAMA, is a universal assembler, and generates object code in standard hexadecimal format. Assembled program code includes the object code that is used for ROM data and required SMDS program control data. To assemble programs, SAMA requires a source file and an auxiliary definition (DEF) file with device specific information.

SASM57

The SASM57 is an relocatable assembler for Samsung's S3C7-series microcontrollers. The SASM57 takes a source file containing assembly language statements and translates into a corresponding source code, object code and comments. The SASM57 supports macros and conditional assembly. It runs on the MS-DOS operating system. It produces the relocatable object code only, so the user should link object file. Object files can be linked with other object files and loaded into memory.

HEX2ROM

HEX2ROM file generates ROM code from HEX file which has been produced by assembler. ROM code must be needed to fabricate a microcontroller which has a mask ROM. When generating the ROM code (.OBJ file) by HEX2ROM, the value 'FF' is filled into the unused ROM area up to the maximum ROM size of the target device automatically.

TARGET BOARDS

Target boards are available for all KS57-series microcontrollers. All required target system cables and adapters are included with the device-specific target board.

OTPs

One time programmable microcontroller (OTP) for the S3C72P9 microcontroller and OTP programmer (Gang) are now available.

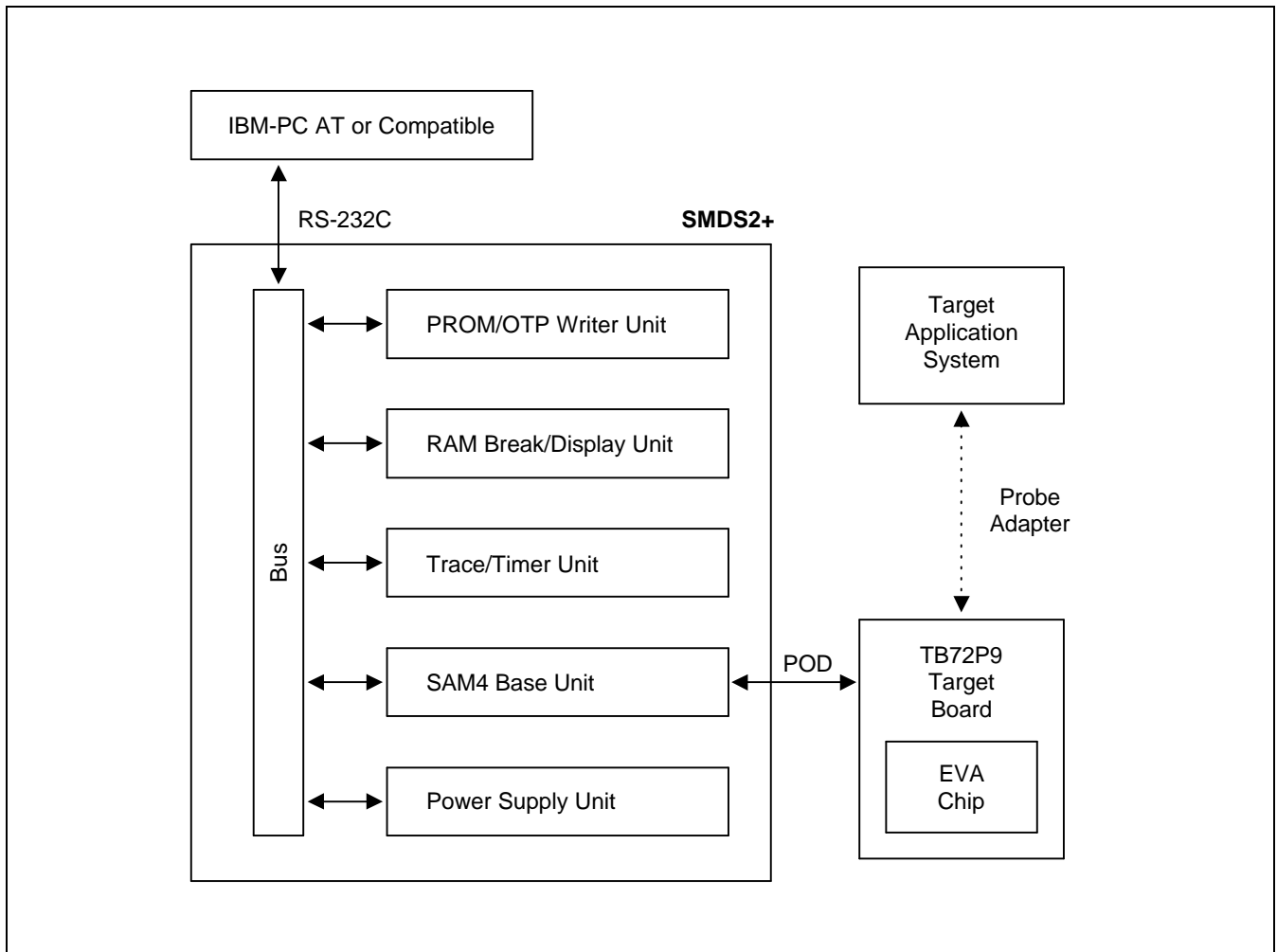


Figure 17-1. SMDS Product Configuration (SMDS2+)

TB72P9 TARGET BOARD

The TB72P9 target board is used for the S3C79P9 microcontroller. It is supported by the SMDS2+ development system.

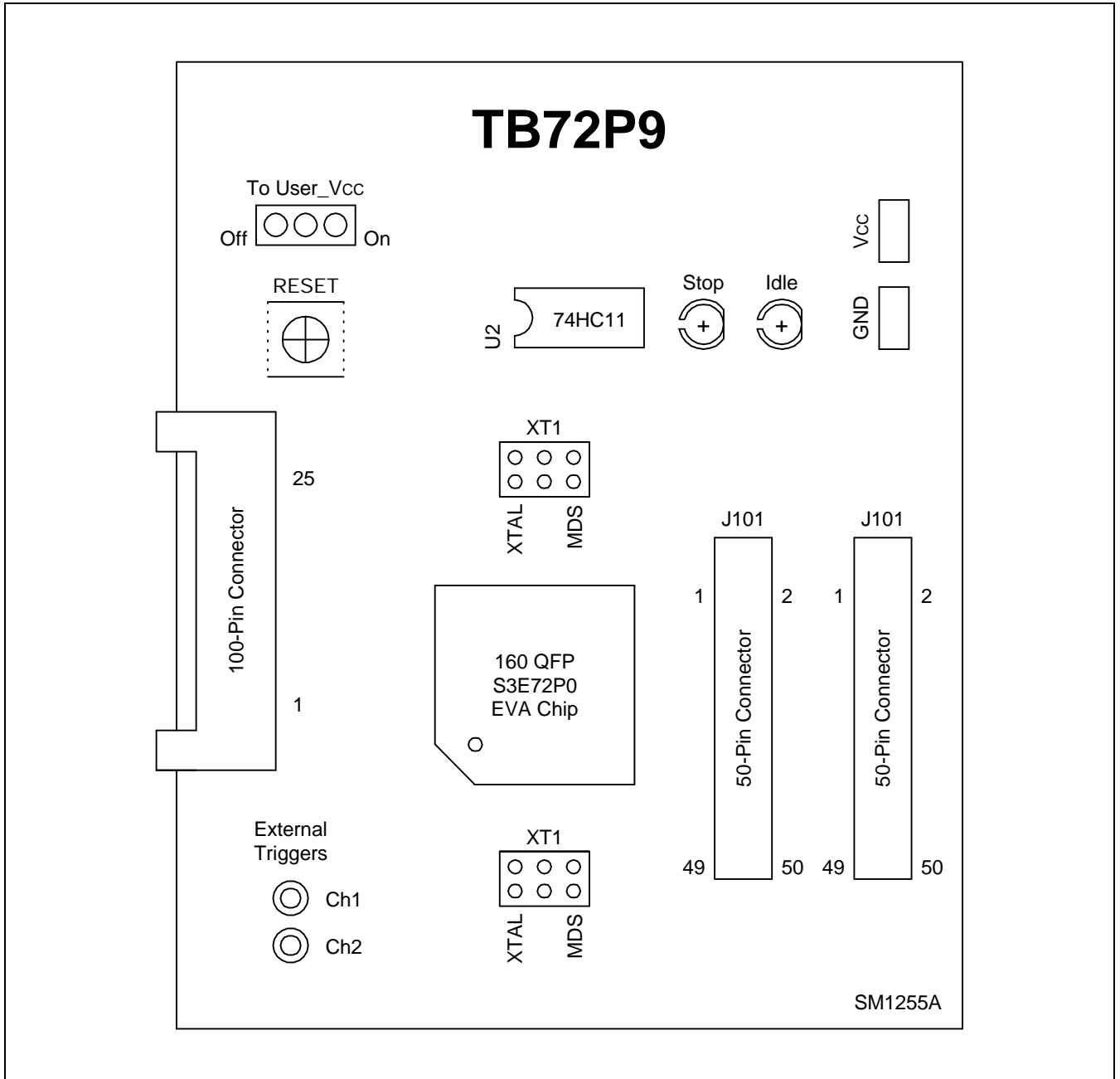


Figure 17-2. TB72P9 Target Board Configuration

Table 17-1. Power Selection Settings for TB72P9

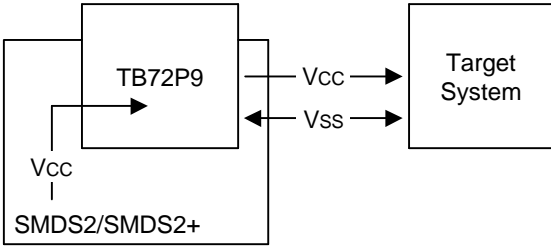
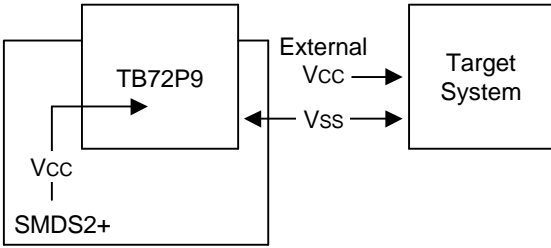
'To User_Vcc' Settings	Operating Mode	Comments
<p>To User_Vcc</p> <p>Off <input type="radio"/> <input checked="" type="radio"/> <input checked="" type="radio"/> On</p>		<p>The SMDS2/SMDS2+ supplies V_{CC} to the target board (evaluation chip) and the target system.</p>
<p>To User_Vcc</p> <p>Off <input checked="" type="radio"/> <input checked="" type="radio"/> <input type="radio"/> On</p>		<p>The SMDS2/SMDS2+ supplies V_{CC} only to the target board (evaluation chip). The target system must have its own power supply.</p>

Table 17-2. Main-Clock Selection Settings for TB72P9

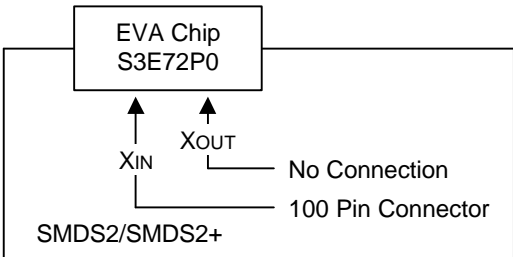
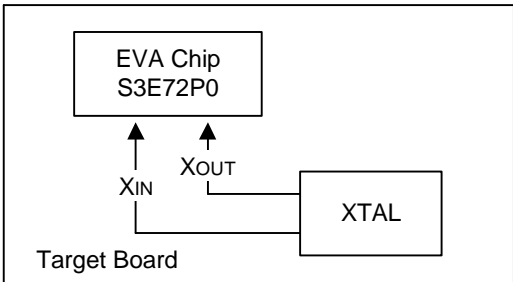
Main Clock Setting	Operating Mode	Comments
<p>XI</p> <p>MDS <input checked="" type="radio"/> <input checked="" type="radio"/> <input type="radio"/> XTAL</p>		<p>Set the X_{IN} switch to "MDS" when the target board is connected to the SMDS2/SMDS2+.</p>
<p>XI</p> <p>MDS <input type="radio"/> <input checked="" type="radio"/> <input checked="" type="radio"/> XTAL</p>		<p>Set the X_{IN} switch to "XTAL" when the target board is used as a standalone unit, and is not connected to the SMDS2/SMDS2+.</p>

Table 17-3. Sub-Clock Selection Settings for TB72P9

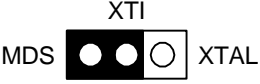
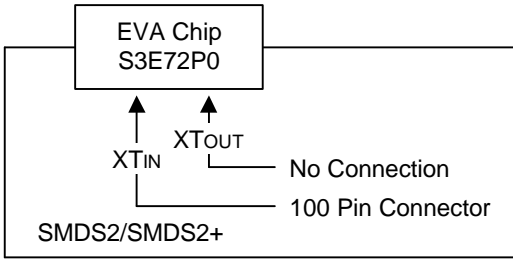
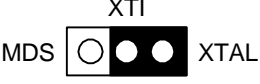
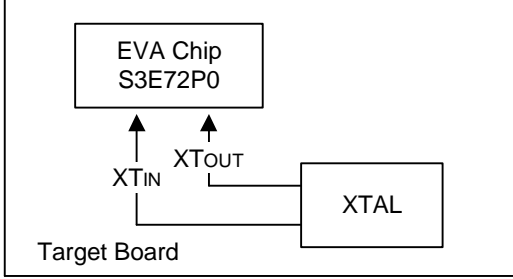


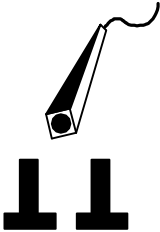
Sub Clock Setting	Operating Mode	Comments
		<p>Set the XTI switch to "MDS" when the target board is connected to the SMDS2/SMDS2+.</p>
		<p>Set the XTI switch to "TAL" when the target board is used as a standalone unit, and is not connected to the SMDS2/SMDS2+.</p>

Table 17-4. Using Single Header Pins as the Input Path for External Trigger Sources

Target Board Part	Comments
<p>External Triggers</p> <ul style="list-style-type: none">  Ch1  Ch2 	 <p>Connector from External Trigger Sources of the Application System</p> <p>You can connect an external trigger source to one of the two external trigger channels (CH1 or CH2) for the SMDS2+ breakpoint and trace functions.</p>

IDLE LED

This LED is ON when the evaluation chip (S3E72P0) is in idle mode.

STOP LED

This LED is ON when the evaluation chip (S3E72P0) is in stop mode.

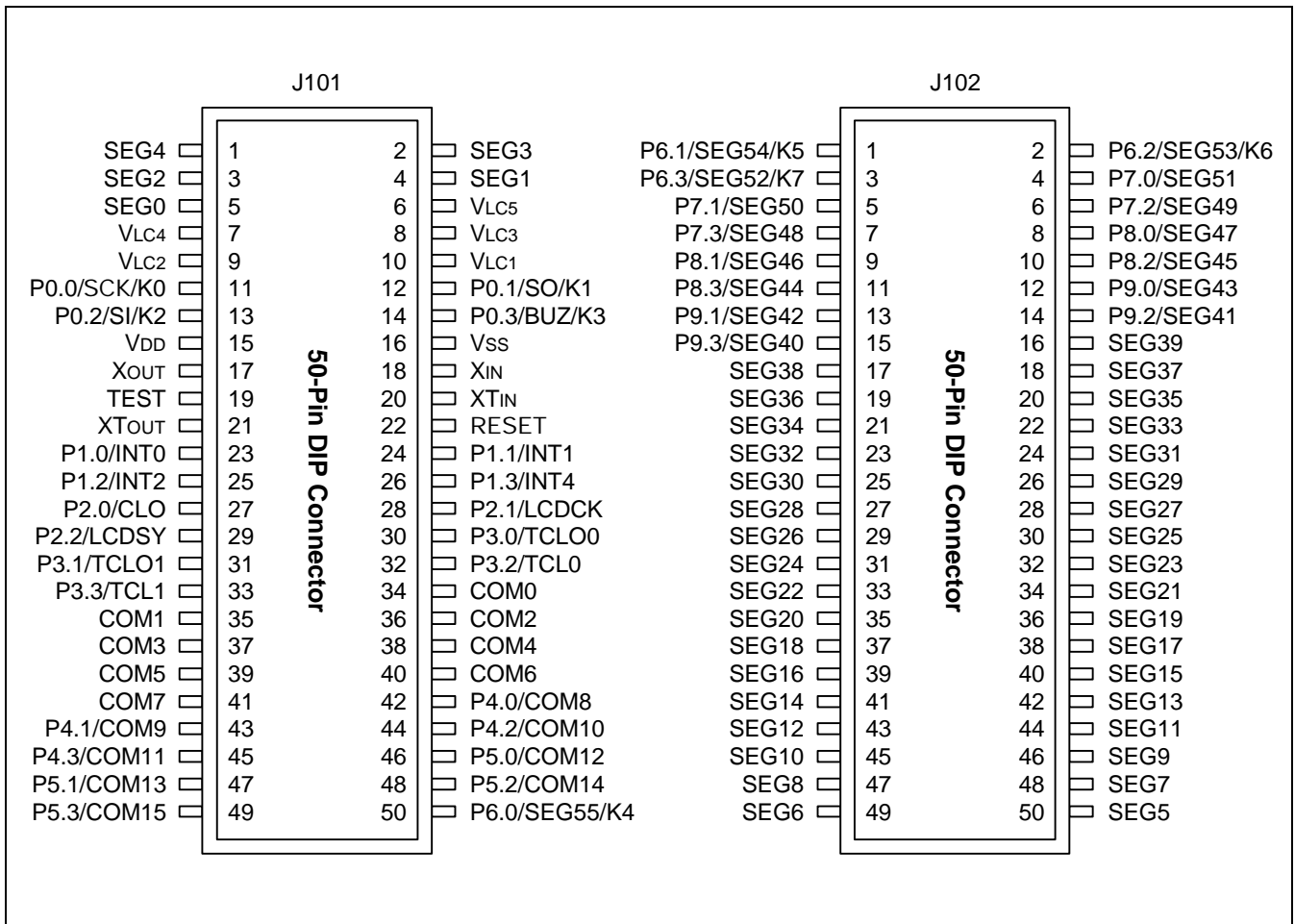


Figure 17-3. 50-Pin Connectors for TB72P9

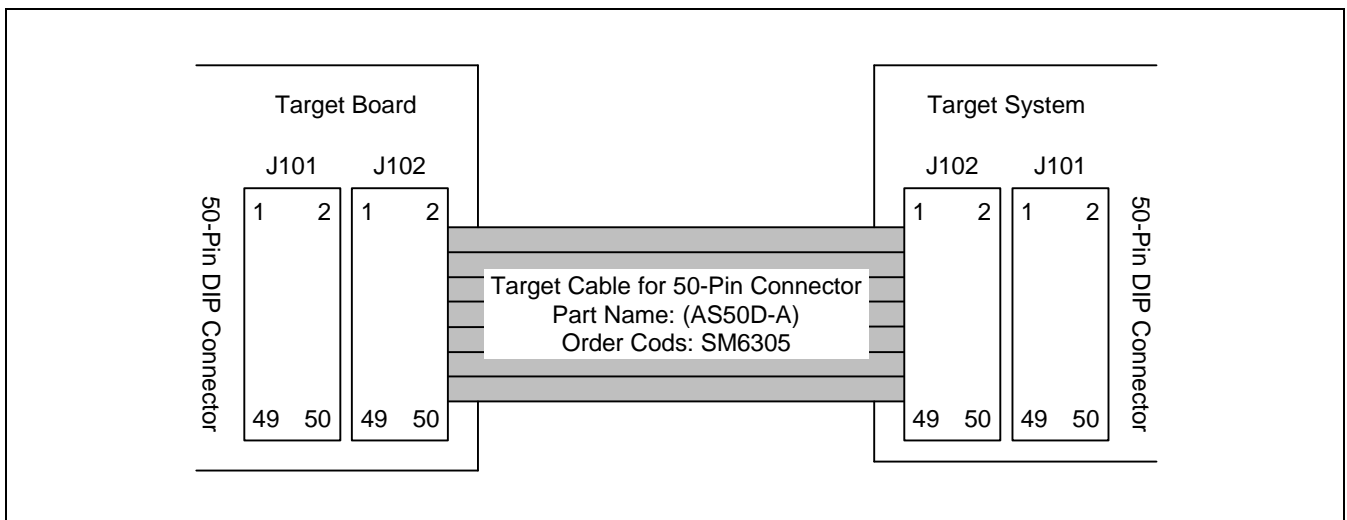


Figure 17-4. TB72P9 Adapter Cable for 100 QFP Package (S3C72P9)