



# ***PALM TECHNOLOGY CO., LTD.***

***The LCD(M) Specialist***

*CONTACT ADDRESS : 10F-1, No.392, Yu-Cheng Rd., Tso-Ying Dist.,  
KHH, Taiwan, R.O.C.  
Tel: 886-7-5587228  
Fax: 886-7-5587229  
E-mail: sales@palmtech.com.tw*

PART NO.: PMC2402A-SYL

FOR MESSRS.: \_\_\_\_\_

## ***CONTENTS***

<b><i>NO.</i></b>	<b><i>ITEM</i></b>	<b><i>PAGE</i></b>
1.	COVER	1
2.	RECORD OF REVERSION	2
3.	GENERAL SPECIFICATION	3
4.	MECHANICAL DATA	3
5.	ABSOLUTE MAXIMUM RATINGS	4
6.	ELECTRICAL CHARACTERISTICS	5
7.	OPTICAL CHARACTERISTICS	5
8.	OUTLINE DIMENSION	6
9.	BLOCK DIAGRAM	7
10.	POWER SUPPLY FOR LCM	7

ACCEPTED BY: \_\_\_\_\_ PROPOSED BY : \_\_\_\_\_

## RECORD OF REVISION

DATE	PAGE	SUMMARY

### 3. General specifications

#### 3.1 General specifications

PLEASE REFER TO:

“CUSTOMER ACCEPTANCE STANDARD SPECIFICATIONS (MS-10-12780)”.

#### 3.2 This individual specification is prior to general specifications

### 4. Mechanical data

- (1) NUMBER OF CHARACTER-----24 CH \* 2 LINE
- (2) MODULE SIZE-----118.0 W \* 36.0 H \* 15.0 T (max) mm
- (3) EFFECTIVE AREA -----96.0 W \* 18.8 H mm
- (4) CHARACTER PATTERN -----5 \* 7 DOTS + CURSOR
- (5) CHARACTER SIZE -----3.20 W \* 4.85 H mm
- (6) CHARACTER PITCH-----3.7 mm
- (7) DOT SIZE-----0.60 W \* 0.65 H mm
- (8) DOT PITCH -----0.65 W \* 0.70 H mm
- (9) VIEWING DIRECTION-----6 O’CLOCK
- (11) LCD TYPE -----STN,YELLOW-GREEN,TRANSFLECTIVE
- (10) LED COLOR-----YELLOW-GREEN

## 5. Absolute maximum ratings

### 5.1 Electrical absolute maximum ratings

<i>I T E M</i>	<i>SYMBOL</i>	<i>MIN.</i>	<i>MAX.</i>	<i>UNIT</i>	<i>COMMENT</i>
POWER SUPPLY FOR LOGIC	V <sub>DD</sub> -V <sub>SS</sub>	0	6.0	V	-----
INPUT VOLTAGE	V <sub>I</sub>	V <sub>SS</sub>	V <sub>DD</sub>	V	-----
STATIC ELECTRICITY	-----	-----	100	V	NOTE (1)

NOTE (1): ELECTRO-STATIC DISCHARGE RESISTANCE IS TESTED BY CHARGING A 200PF CAPACITOR AND DISCHARGING IT BY CONTACT WITH A INTERFACE CONNECTOR PIN.

### 5.2 Environmental absolute maximum ratings

<i>I T E M</i>	<i>OPERATING</i>		<i>STORAGE</i>		<i>COMMENT</i>
	<i>MIN.</i>	<i>MAX.</i>	<i>MIN.</i>	<i>MAX.</i>	
AMBIENT TEMPERATURE	0°C	50°C	-20°C	70°C	-----
HUMIDITY	NOTE (2)		NOTE (2)		NO CONDENSATION
VIBRATION NOTE (3)	-----	0.5G	-----	2G	10 ~ 300Hz XYZ DIRECTIONS 1 Hr EACH
SHOCK NOTE (3)	-----	3G	-----	50G	10 msec XYZ DIRECTIONS 1 TIME EACH
CORROSIVE GAS	NOT ACCEPTABLE		NOT ACCEPTABLE		-----

NOTE (2): Ta \* 50°C: 90% RH MAX.

Ta ≥ 50°C: ABSOLUTE HUMIDITY MUST BE LOWER THAN THE HUMIDITY OF 90% RH AT 50°C. (80% RH AT 60°C)

NOTE (3): 1G = 9.8 m/s<sup>2</sup>

**6. Electrical characteristics**Ta = 25°C V<sub>DD</sub> = 5.060.25 V

<i>I T E M</i>	<i>SYMBOL</i>	<i>CONDITION</i>	<i>MIN.</i>	<i>TYP.</i>	<i>MAX.</i>	<i>UNIT</i>	
INPUT VOLTAGE	V <sub>IH</sub>	-----	2.2	-----	-----	V	
	V <sub>IL</sub>		-----	-----	0.6	V	
OUTPUT VOLTAGE (H LEVEL)	V <sub>OH</sub>	-I <sub>OH</sub> = 0.2 mA	2.4	-----	-----	V	
	V <sub>OL</sub>	I <sub>OL</sub> = 1.2 mA	-----	-----	0.4	V	
POWER SUPPLY CURRENT	I <sub>DD</sub>	V <sub>DD</sub> = 5.0V	-----	1.8	3.0	mA	
RECOMMENDED LCD DRIVING VOLTAGE	V <sub>DD-V<sub>O</sub></sub>	DUTY =1/16 ∅=10°	Ta = 0°C	-----	4.9	-----	V
			Ta = 25°C	-----	4.5	-----	V
			Ta = 50°C	-----	4.1	-----	V
POWER SUPPLY CURRENT FOR LED	I <sub>LED</sub>	V <sub>DD</sub> = 5.0V	-----	140	180	mA	

NOTE (1): RECOMMENDED LCD DRIVING VOLTAGE MAY FLUCTUATE ABOUT 6 0.5V BY EACH MODULE.

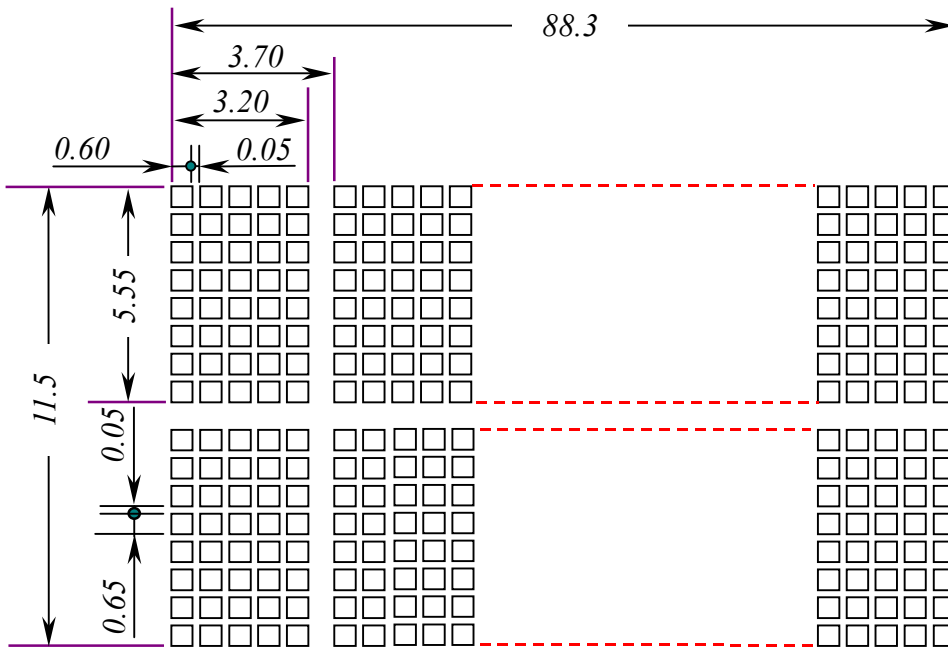
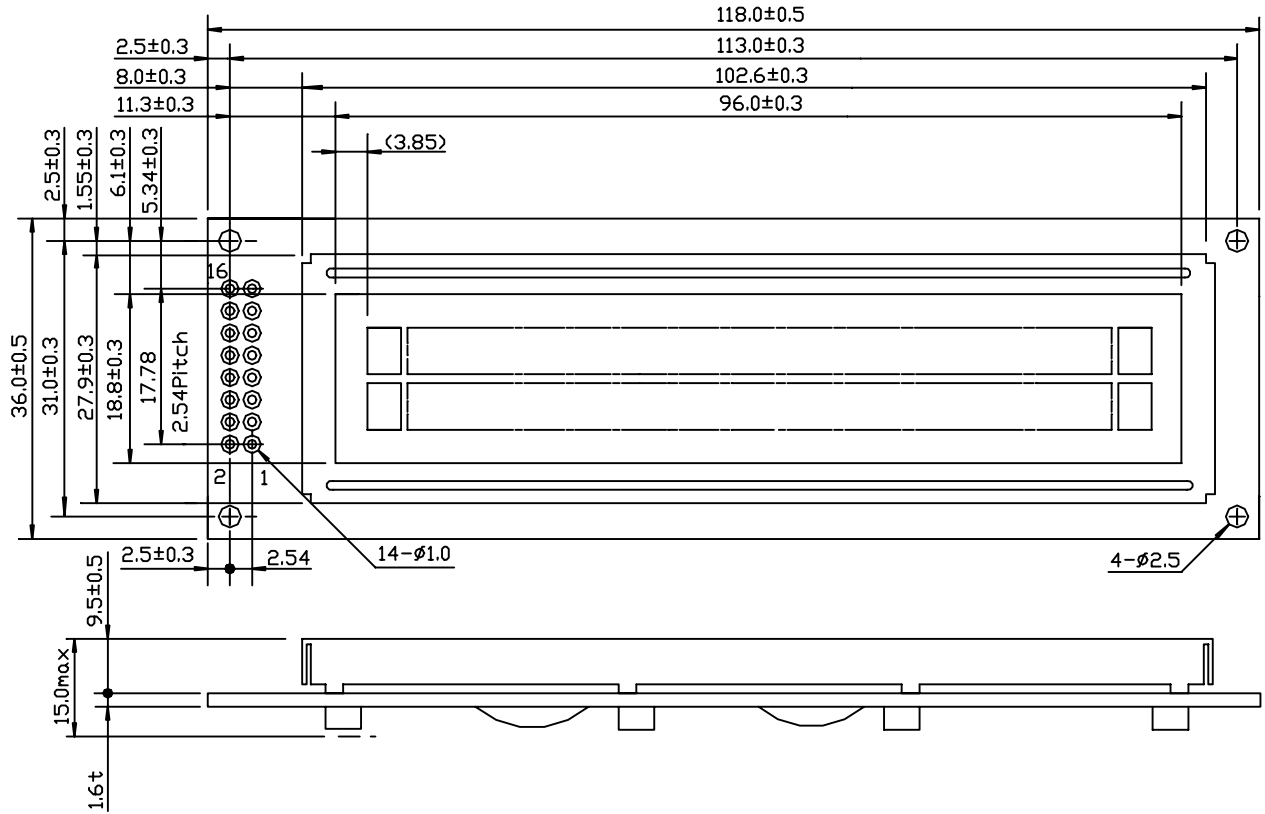
**7. Optical characteristics**Ta = 25°C V<sub>DD</sub> = 5.0V

<i>I T E M</i>	<i>SYMBOL</i>	<i>CONDITION</i>	<i>MIN.</i>	<i>TYP.</i>	<i>MAX.</i>	<i>UNIT</i>	<i>NOTE</i>
VIEWING ANGLE	Φ2-Φ1	K = 2.0	30	40	-----	deg.	2
CONTRAST RATIO	K	Φ = 10° θ = 0°	3.0	4.0	-----	-----	2
RESPONSE TIME	tr (rise)	Φ = 10° θ = 0°	-----	200	350	ms	2
	tf (fall)	Φ = 10° θ = 0°	-----	300	400	ms	2
BRIGHTNESS FOR LED BACKLIGHT	B	Φ = 0° θ = 0°	5.0	-----	-----	cd/m <sup>2</sup>	2,3

NOTE (2): SEE CUSTOMER ACCEPTANCE STANDARD SPECIFICATION FOR DEFINITION OF OPTICAL CHARACTERISTICS.

NOTE (3): UNDER NORMAL TEMPERATURE AND HUMIDITY IN A DARK ROOM.

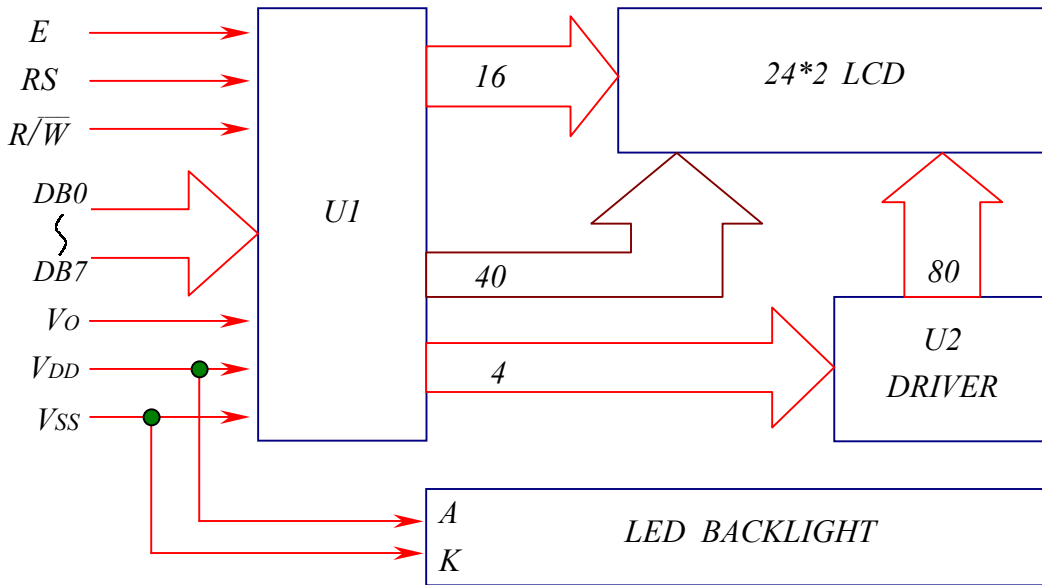
### 8. Outline dimension



### Interface pin connection

<b>PIN NO.</b>	<b>1</b>	<b>2</b>	<b>3</b>	<b>4</b>	<b>5</b>	<b>6</b>	<b>7</b>	<b>8</b>
SYMBOL	V <sub>SS</sub>	V <sub>DD</sub>	V <sub>O</sub>	RS	R/W	E	DB0	DB1
<b>PIN NO.</b>	<b>9</b>	<b>10</b>	<b>11</b>	<b>12</b>	<b>13</b>	<b>14</b>	<b>15</b>	<b>16</b>
SYMBOL	DB2	DB3	DB4	DB5	DB6	DB7	NC	NC

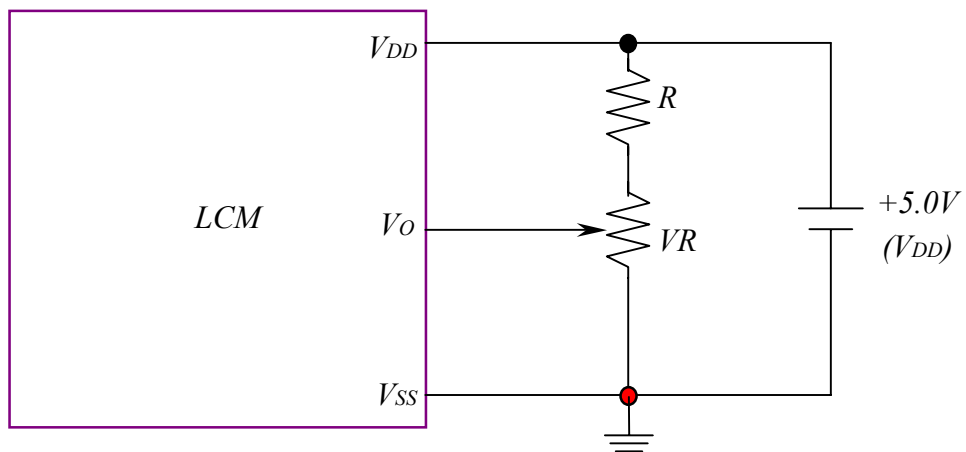
### 9. Block diagram



### Display data address charts

Character	1	2	3	4	5	6	7	8	9	10	11	12	13	14	15	16
LINE 1	80	81	82	83	84	85	86	87	88	89	8A	8B	8C	8D	8E	8F
LINE 2	C0	C1	C2	C3	C4	C5	C6	C7	C8	C9	CA	CB	CC	CD	CE	CF

### 10. Power supply for LCM



RECOMMENDED RESISTOR R:  $V_{DD}-V_O \geq 1.5V$   
 $V_{DD}-V_O$ : LCD DRIVING VOLTAGE  
 VR:  $10K\Omega \sim 20K\Omega$