

## Linear Systems replaces discontinued Siliconix J111

This n-channel JFET is optimised for low noise high performance switching. The part is particularly suitable for use in low noise audio amplifiers. The TO-92 package is well suited for cost sensitive applications and mass production.

(See Packaging Information).

### J111 Benefits:

- Short Sample & Hold Aperture Time
- Low insertion loss
- Low Noise

### J111 Applications:

- Analog Switches
- Commutators
- Choppers

### FEATURES

DIRECT REPLACEMENT FOR SILICONIX J111

LOW GATE LEAKAGE CURRENT 5pA

FAST SWITCHING  $t_{(on)} \leq 4ns$

**ABSOLUTE MAXIMUM RATINGS @ 25°C (unless otherwise noted)**

#### Maximum Temperatures

Storage Temperature -55°C to +150°C

Operating Junction Temperature -55°C to +135°C

#### Maximum Power Dissipation

Continuous Power Dissipation 360mW

#### MAXIMUM CURRENT

Gate Current (Note 1) 50mA

#### MAXIMUM VOLTAGES

Gate to Drain Voltage  $V_{GDS} = -35V$

Gate to Source Voltage  $V_{GSS} = -35V$

### J111 ELECTRICAL CHARACTERISTICS @ 25°C (unless otherwise noted)

SYMBOL	CHARACTERISTIC	MIN	TYP.	MAX	UNITS	CONDITIONS
$BV_{GSS}$	Gate to Source Breakdown Voltage	-35	--	--	V	$I_G = 1\mu A, V_{DS} = 0V$
$V_{GS(off)}$	Gate to Source Cutoff Voltage	-3	--	-10		$V_{DS} = 5V, I_D = 1\mu A$
$V_{GS(F)}$	Gate to Source Forward Voltage	--	0.7	--		$I_G = 1mA, V_{DS} = 0V$
$I_{DSS}$	Drain to Source Saturation Current (Note 2)	20	--	--	mA	$V_{DS} = 15V, V_{GS} = 0V$
$I_{GSS}$	Gate Reverse Current	--	-0.005	-1	nA	$V_{DS} = -15V, V_{GS} = 0V$
$I_G$	Gate Operating Current	--	-0.5	--	pA	$V_{DG} = 15V, I_D = 10mA$
$I_{D(off)}$	Drain Cutoff Current	--	0.005	1	nA	$V_{DS} = 5V, V_{GS} = -10V$
$r_{DS(on)}$	Drain to Source On Resistance	--	--	30	$\Omega$	$I_G = 1mA, V_{DS} = 0V$

### J111 DYNAMIC ELECTRICAL CHARACTERISTICS @ 25°C (unless otherwise noted)

SYMBOL	CHARACTERISTIC	MIN	TYP.	MAX	UNITS	CONDITIONS
$g_{fs}$	Forward Transconductance	--	6	--	mS	$V_{DS} = 20V, I_D = 1mA, f = 1kHz$
$g_{os}$	Output Conductance	--	25	--	$\mu S$	
$r_{DS(on)}$	Drain to Source On Resistance	--	--	30	$\Omega$	$V_{GS} = 0V, I_D = 0mA, f = 1kHz$
$C_{iss}$	Input Capacitance	--	7	12	pF	$V_{DS} = 0V, V_{GS} = -10V, f = 1MHz$
$C_{rss}$	Reverse Transfer Capacitance	--	3	5		
$e_n$	Equivalent Noise Voltage	--	3	--	nV/√Hz	$V_{DG} = 10V, I_D = 1mA, f = 1kHz$

### J111 SWITCHING CHARACTERISTICS @ 25°C (unless otherwise noted)

SYMBOL	CHARACTERISTIC	UNITS	CONDITIONS
$t_{d(on)}$	Turn On Time	2	ns
$t_r$	Turn On Rise Time	2	
$t_{d(off)}$	Turn Off Time	6	
$t_f$	Turn Off Fall Time	15	
			$V_{DD} = 10V$ $V_{GS(H)} = 0V$
			See Switching Circuit

Note 1 - Absolute maximum ratings are limiting values above which J111 serviceability may be impaired. Note 2 - Pulse test:  $PW \leq 300 \mu s$ , Duty Cycle  $\leq 3\%$

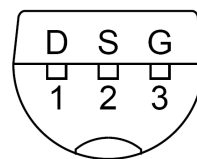
### J111 SWITCHING CIRCUIT PARAMETERS

$V_{GS(L)}$	-12V
$R_L$	800 $\Omega$
$I_{D(on)}$	12mA

Available Packages:

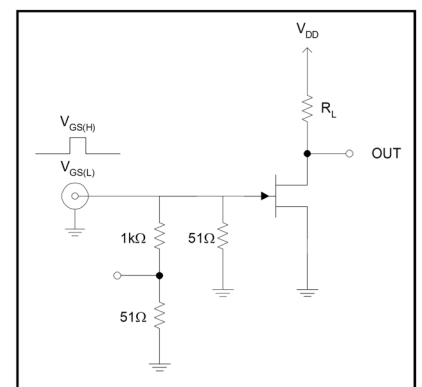
J111 in TO-92  
J111 in bare die.

TO-92 (Bottom View)



Please contact Micross for full package and die dimensions

### SWITCHING TEST CIRCUIT



Micross Components Europe



Tel: +44 1603 788967

Email: [chipcomponents@micross.com](mailto:chipcomponents@micross.com)

Web: <http://www.micross.com/distribution>