

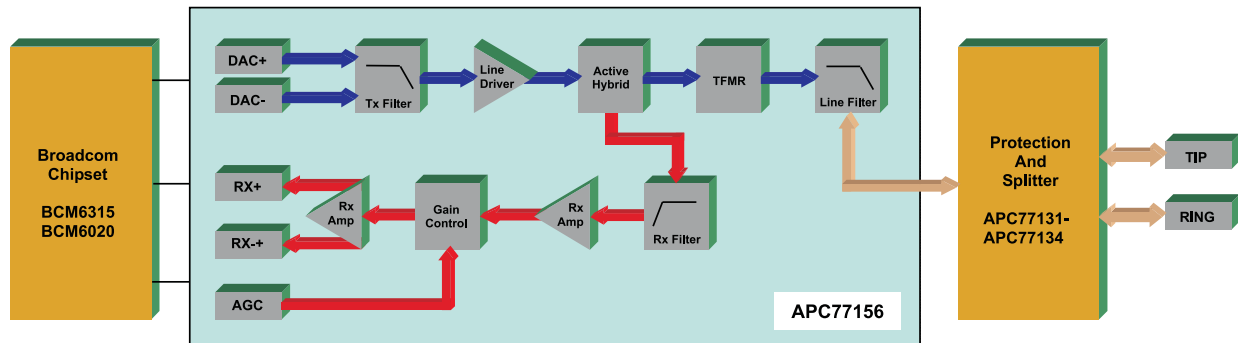
VDSL Hybrid Module

APC77156

FEATURES

- Designed for Broadcom BCM6315 and BCM6020 VDSL chipsets
- Plan998 based symmetric CO design
- Includes band pass line filter, 2 wire line interface hybrid, TX and RX filters and AGC control
- 1500V line isolation transformer
- Minimum surface mount footprint for increased line card density

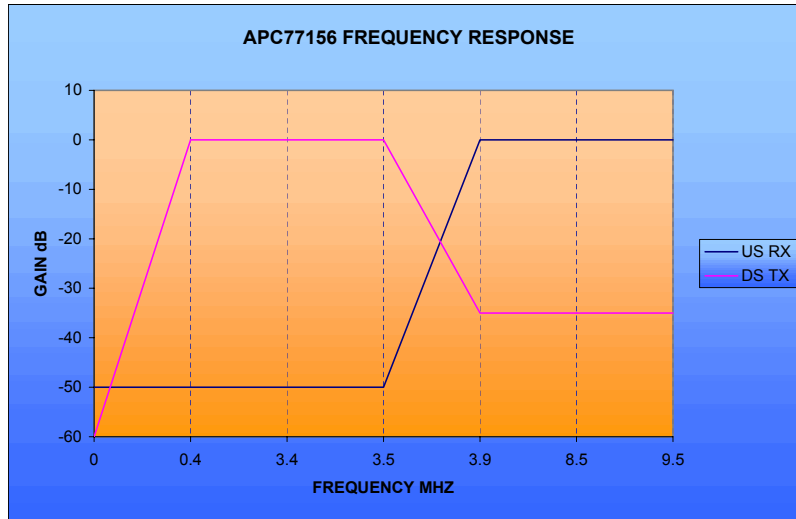
BLOCK DIAGRAM



ELECTRICAL SPECIFICATIONS@25°C OPERATING TEMPERATURE -40°C TO +85°C

Description	Passband Freq	Stopband Freq	Attenuation min
VDSL LPF (TX)	400kHz to 3.5MHz	>3.9MHz	35dB
VDSL HPF (RX)	3.9MHz >	DC to 3.5MHz	35dB

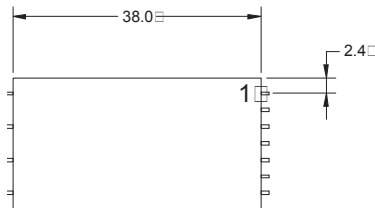
FREQUENCY ALLOCATION



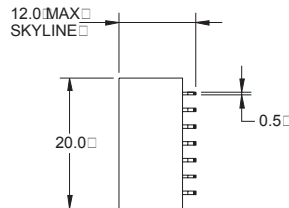
MECHANICAL

APC77156

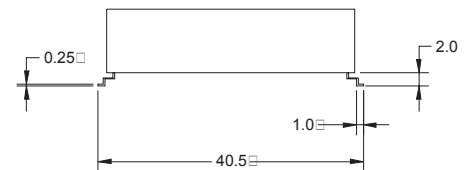
Top View



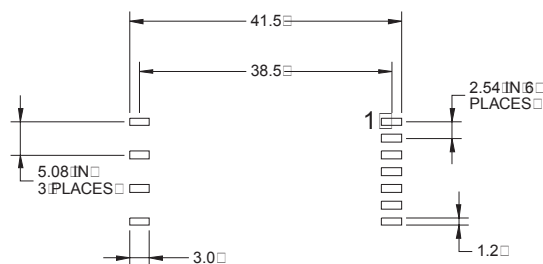
End View



Side View



Recommended PCB Layout



©2003 Bel Fuse Inc. Specifications subject to change without notice. 08.19.03

CORPORATE

Bel Fuse Inc.
206 Van Vorst Street
Jersey City, NJ 07302
Tel 201-432-0463
Fax 201-432-9542
www.belfuse.com

FAR EAST

Bel Fuse Ltd.
8F / 8 Luk Hop Street
San Po Kong
Kowloon, Hong Kong
Tel 852-2328-5515
Fax 852-2352-3706
www.belfuse.com

EUROPE

Bel Stewart Connector
45/46 Riverside
Medway City Estate
Rochester, Kent ME2 4DP U.K.
Tel 44-1634-722890
Fax 44-1634-716677
www.belfuse.com