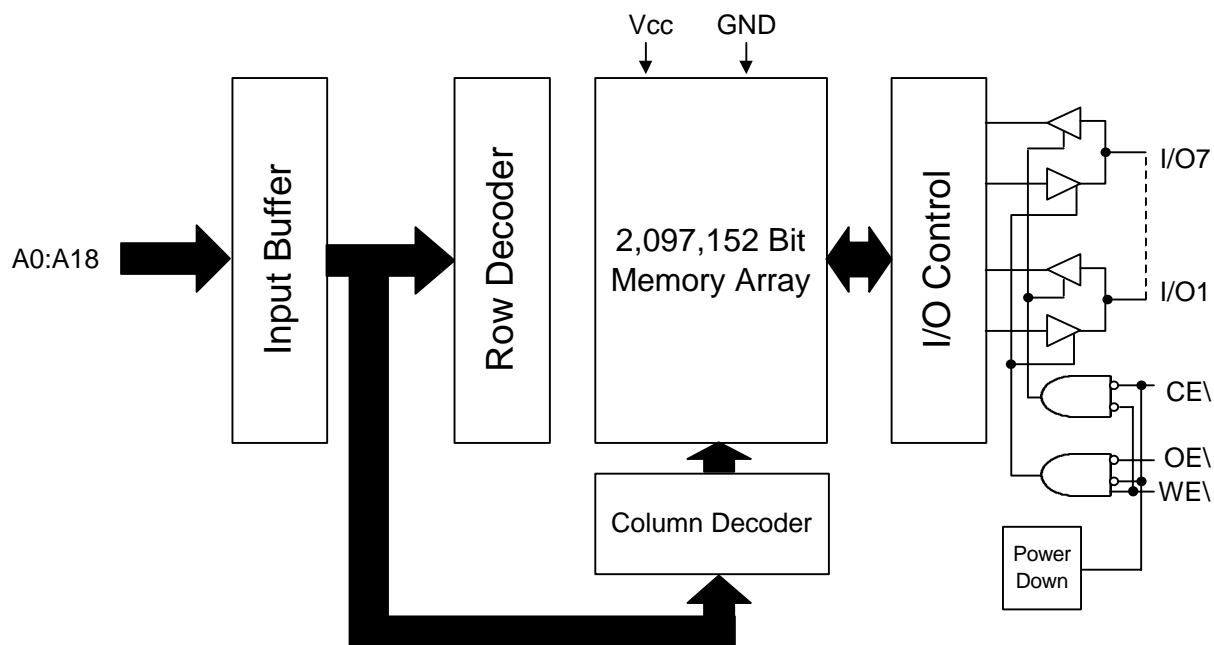


FUNCTIONAL BLOCK DIAGRAM



TRUTH TABLE

| MODE | OE\ \backslash | CE\ \backslash | WE\ \backslash | DQ | POWER |
|--------------|------------------|------------------|------------------|--------|---------|
| STANDBY | X | H | X | High-Z | STANDBY |
| READ | L | L | H | Q | ACTIVE |
| NOT SELECTED | H | L | H | High-Z | ACTIVE |
| WRITE | X | L | L | D | ACTIVE |



ABSOLUTE MAXIMUM RATINGS*

Voltage on Vcc Supply Relative to Vss.....-5V to +7.0V
 Storage Temperature-65°C to +150°C
 Short Circuit Output Current (per I/O).....20mA
 Voltage on any Pin Relative to Vss.....-5V to Vcc+1 V
 Maximum Junction Temperature**+150°C

*Stresses greater than those listed under "Absolute Maximum Ratings" may cause permanent damage to the device. This is a stress rating only and functional operation of the device at these or any other conditions above those indicated in the operation section of this specification is not implied. Exposure to absolute maximum rating conditions for extended periods may affect reliability.

** Junction temperature depends upon package type, cycle time, loading, ambient temperature and airflow.

ELECTRICAL CHARACTERISTICS AND RECOMMENDED DC OPERATING CONDITIONS

(-55°C ≤ T_A ≤ 125°C or -40°C to +85°C; V_{CC} = 5V ±10%)

| PARAMETER | CONDITION | SYMBOL | MIN | MAX | UNITS | NOTES |
|------------------------------|---------------------------------------------------------------|-----------------|------|----------------------|-------|-------|
| Input High (Logic 1) Voltage | | V _{IH} | 2.2 | V _{CC} +0.5 | V | 1 |
| Input Low (Logic 0) Voltage | | V _{IL} | -0.5 | 0.8 | V | 1, 2 |
| Input Leakage Current | 0V ≤ V _{IN} ≤ V _{CC} | I _{L1} | -10 | 10 | μA | |
| Output Leakage Current | Output(s) disabled 0V ≤ V _{OUT} ≤ V _{CC} | I _{LO} | -10 | 10 | μA | |
| Output High Voltage | I _{OH} = -4.0 mA | V _{OH} | 2.4 | -- | V | 1 |
| Output Low Voltage | I _{OL} = 8.0 mA | V _{OL} | --- | 0.4 | V | 1 |
| Supply Voltage | | V _{CC} | 4.5 | 5.5 | V | 1 |

| PARAMETER | CONDITIONS | SYM | MAX | | | | | | UNITS | NOTES |
|---------------------------------|----------------------------------------------------------------------------------------------------------------------------------------------------------------|--------------------|-----|-----|-----|-----|-----|-----|-------|-------|
| | | | -15 | -17 | -20 | -25 | -35 | -45 | | |
| Power Supply Current: Operating | CE _I ≤ V _{IL} ; V _{CC} = MAX f = MAX = 1/t _{RC} Outputs Open | I _{CCSP} | 225 | 225 | 225 | 225 | 225 | 225 | mA | 3 |
| | L Version Only | I _{CCLP} | 180 | 180 | 180 | 180 | 180 | 180 | mA | |
| Power Supply Current: Standby | CE _I ≥ V _{IH} ; V _{CC} = MAX f = 0, Outputs Open | I _{SBTSP} | 60 | 60 | 60 | 60 | 60 | 60 | mA | |
| | L Version Only | I _{SBTLP} | 30 | 30 | 30 | 30 | 30 | 30 | mA | |
| | CE _I ≤ V _{CC} -0.2V; V _{CC} = MAX V _{IN} ≤ V _{SS} +0.2V or V _{IN} ≥ V _{CC} -0.2V; f = 0 | I _{SBCSP} | 25 | 25 | 25 | 25 | 25 | 25 | mA | |
| | L Version Only | I _{SBCLP} | 10 | 10 | 10 | 10 | 10 | 10 | mA | |

CAPACITANCE

| PARAMETER | CONDITIONS | SYMBOL | MAX | UNITS | NOTES |
|--------------------|--------------------------------------------------------|----------------|-----|-------|-------|
| Input Capacitance | T _A = 25°C, f = 1MHz V _{IN} = 0 | C _I | 12 | pF | 4 |
| Output Capacitance | | C _O | 14 | pF | 4 |



ELECTRICAL CHARACTERISTICS AND RECOMMENDED AC OPERATING CONDITIONS

($-55^{\circ}\text{C} \leq T_A \leq 125^{\circ}\text{C}$ or -40°C to $+85^{\circ}\text{C}$; $V_{CC} = 5\text{V} \pm 10\%$)

| DESCRIPTION | SYM | -15 | | -17 | | -20 | | -25 | | -35 | | -45 | | UNITS | NOTES |
|------------------------------------|------------|-----|-----|-----|-----|-----|-----|-----|-----|-----|-----|-----|-----|-------|---------|
| | | MIN | MAX | MIN | MAX | MIN | MAX | MIN | MAX | MIN | MAX | MIN | MAX | | |
| READ CYCLE | | | | | | | | | | | | | | | |
| Read Cycle Time | t_{RC} | 15 | | 17 | | 20 | | 25 | | 35 | | 45 | | ns | |
| Address Access Time | t_{AA} | | 15 | | 17 | | 20 | | 25 | | 35 | | 45 | ns | |
| Chip Enable Access Time | t_{ACE} | | 15 | | 17 | | 20 | | 25 | | 35 | | 45 | ns | |
| Output Hold From Address Change | t_{OH} | 2 | | 2 | | 2 | | 2 | | 2 | | 2 | | ns | |
| Chip Enable to Output in Low-Z | t_{LZCE} | 2 | | 2 | | 2 | | 2 | | 2 | | 2 | | ns | 4, 6, 7 |
| Chip Disable to Output in High-Z | t_{HZCE} | 0 | 7 | 0 | 8 | 0 | 8 | 0 | 10 | 0 | 15 | 0 | 20 | ns | 4, 6, 7 |
| Output Enable Access Time | t_{AOE} | | 8 | | 8 | | 10 | | 12 | | 15 | | 25 | ns | |
| Output Enable to Output in Low-Z | t_{LZOE} | 0 | | 0 | | 0 | | 0 | | 0 | | 0 | | ns | 4, 6, 7 |
| Output Disable to Output in High-Z | t_{HZOE} | 0 | 7 | 0 | 8 | 0 | 8 | 0 | 10 | 0 | 15 | 0 | 20 | ns | 4, 6, 7 |
| WRITE CYCLE | | | | | | | | | | | | | | | |
| WRITE Cycle Time | t_{WC} | 15 | | 17 | | 20 | | 25 | | 35 | | 45 | | ns | |
| Chip Enable to End of Write | t_{CW} | 15 | | 16 | | 17 | | 20 | | 30 | | 35 | | ns | |
| Address Valid to End of Write | t_{AW} | 15 | | 16 | | 17 | | 20 | | 30 | | 35 | | ns | |
| Address Setup Time | t_{AS} | 0 | | 0 | | 0 | | 0 | | 0 | | 0 | | ns | |
| Address Hold From End of Write | t_{AH} | 0 | | 1 | | 1 | | 1 | | 1 | | 1 | | ns | |
| WRITE Pulse Width | t_{WP} | 15 | | 16 | | 17 | | 20 | | 30 | | 35 | | ns | |
| Data Setup Time | t_{DS} | 7 | | 9 | | 10 | | 12 | | 20 | | 25 | | ns | |
| Data Hold Time | t_{DH} | 0 | | 0 | | 0 | | 0 | | 0 | | 0 | | ns | |
| Write Disable to Output in Low-Z | t_{LZWE} | 0 | | 0 | | 0 | | 0 | | 0 | | 0 | | ns | 4, 6, 7 |
| Write Enable to Output in High-Z | t_{HZWE} | 0 | 7 | 0 | 8 | 0 | 8 | 0 | 10 | 0 | 25 | 0 | 30 | ns | 4, 6, 7 |



AC TEST CONDITIONS

| | |
|-------------------------------------|-------------------------|
| Input pulse levels | V _{ss} to 3.0V |
| Input rise and fall times | 3ns |
| Input timing reference levels | 1.5V |
| Output reference levels | 1.5V |
| Output load | See Figures 1 and 2 |

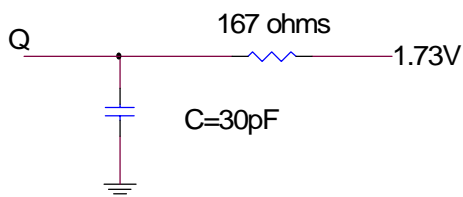


Fig. 1 Output Load Equivalent

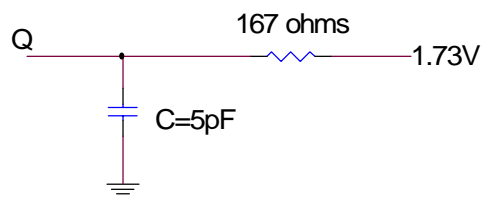


Fig. 2 Output Load Equivalent

NOTES

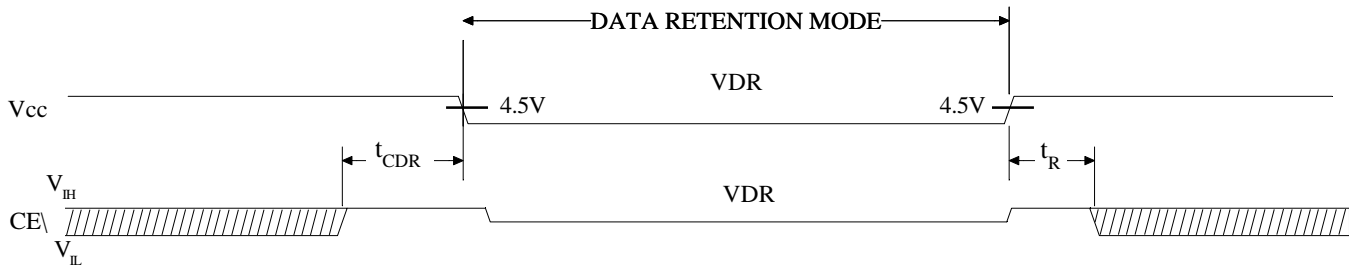
- All voltages referenced to V_{ss} (GND).
- 2V for pulse width < 20ns
- I_{CC} is dependent on output loading and cycle rates.
- This parameter is guaranteed but not tested.
- Test conditions as specified with the output loading as shown in Fig. 1 unless otherwise noted.
- 'LZCE, 'LZWE, 'LZOE, 'HZCE, 'HZOE and 'HZWE are specified with CL = 5pF as in Fig. 2. Transition is measured ±200mV from steady state voltage.
- At any given temperature and voltage condition, 'HZCE is less than 'LZCE, and 'HZWE is less than 'LZWE.
- WE\ is HIGH for READ cycle.
- Device is continuously selected. Chip enables and output enables are held in their active state.
- Address valid prior to, or coincident with, latest occurring chip enable.
- 'RC = Read Cycle Time.
- Chip enable and write enable can initiate and terminate a WRITE cycle.
- Output enable (OE\) is inactive (HIGH).
- Output enable (OE\) is active (LOW).
- ASI does not warrant functionality nor reliability of any product in which the junction temperature exceeds 150°C. Care should be taken to limit power to acceptable levels.

DATA RETENTION ELECTRICAL CHARACTERISTICS (L Version Only)

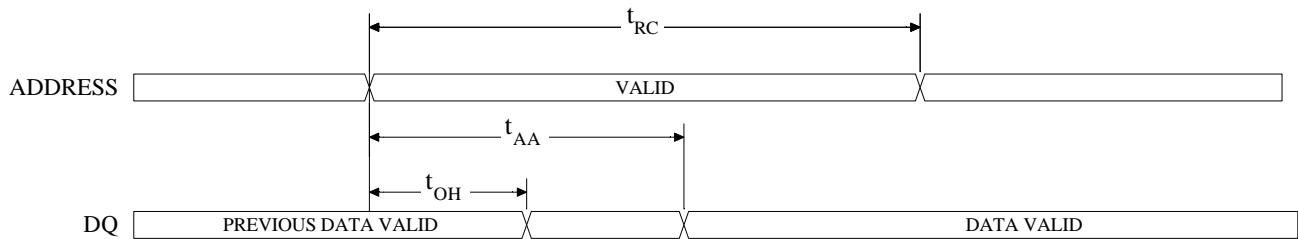
| DESCRIPTION | CONDITIONS | SYMBOL | MIN | MAX | UNITS | NOTES |
|-----------------------------------------|--------------------------------------------------------------------------|-------------------|-----|-----|-------|-------|
| V _{CC} for Retention Data | CE\ > (V _{CC} -0.2V) VIN > (V _{CC} -0.2V) or < 0.2V | V _{DR} | 2 | | V | |
| Data Retention Current (L Version Only) | V _{CC} = 2V | I _{CCDR} | | 4.5 | mA | |
| Chip Deselect to Data Retention Time | | t _{CDR} | 0 | | ns | 4 |
| Operation Recovery Time | | t _R | 10 | | ms | 4, 11 |



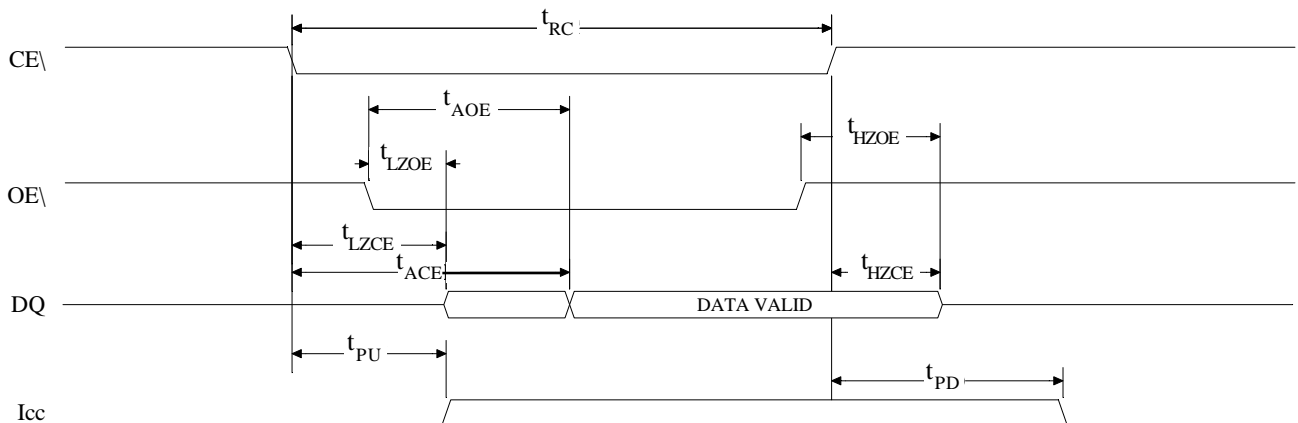
LOW V_{CC} DATA RETENTION WAVEFORM



READ CYCLE NO. 1 ^{8,9}
(Write Enabled Controlled)

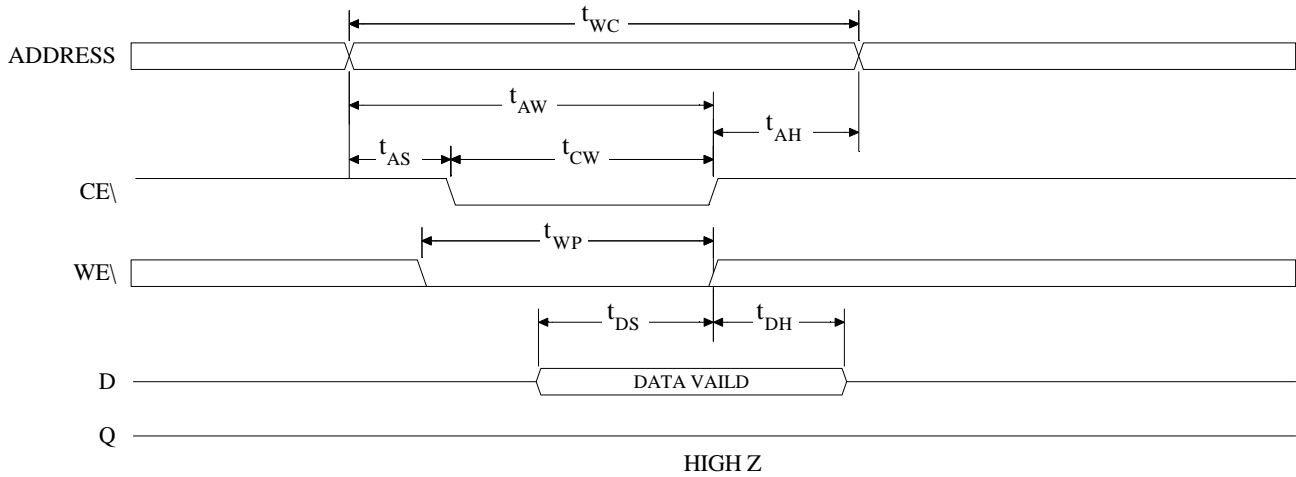


READ CYCLE NO. 2 ^{7, 8, 10}
(Write Enabled Controlled)

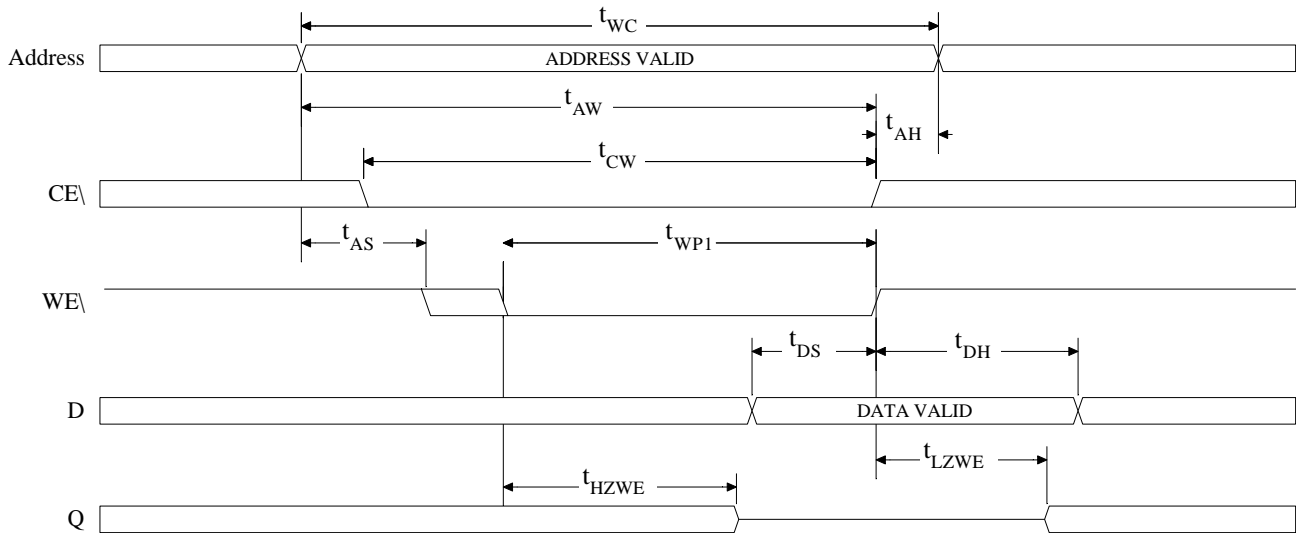




WRITE CYCLE NO. 1 ¹²
(Chip Enabled Controlled)

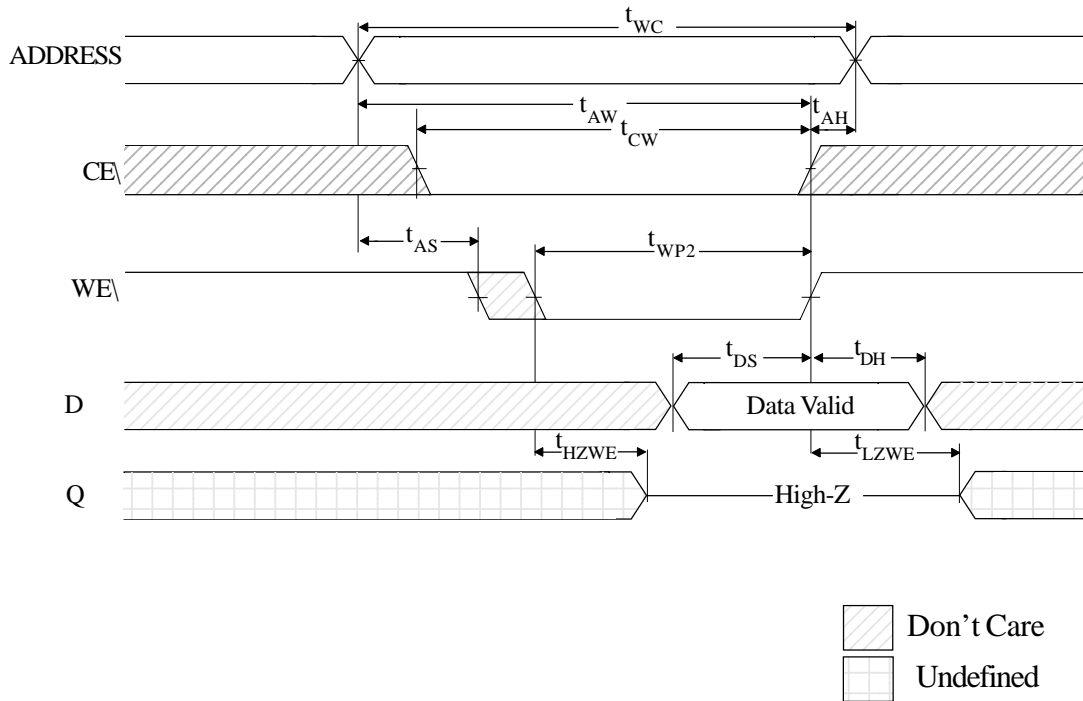


WRITE CYCLE NO. 2 ^{12, 13}
(Write Enabled Controlled)





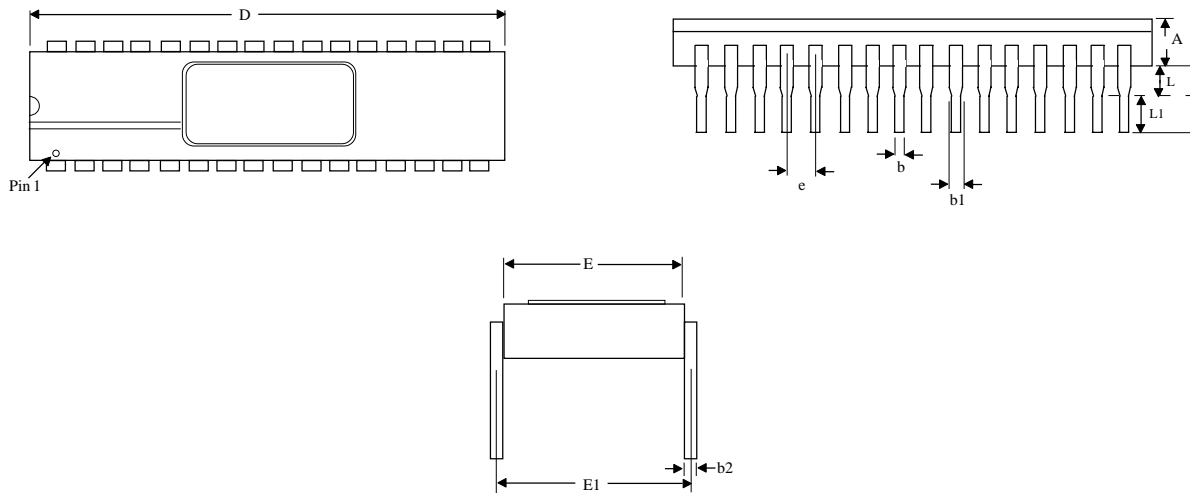
WRITE CYCLE NO. 3^{7, 12, 14}
(Write Enable Controlled)





MECHANICAL DEFINITION*

**ASI Case #112 (Package Designator CW)
SMD 5962-95600, Case Outline X**



| SYMBOL | SMD Specifications | |
|--------|--------------------|-------|
| | MIN | MAX |
| A | --- | 0.225 |
| b | 0.014 | 0.026 |
| b1 | 0.045 | 0.065 |
| b2 | 0.008 | 0.018 |
| D | --- | 1.680 |
| E | 0.510 | 0.620 |
| e | 0.100 BSC | |
| E1 | 0.600 BSC | |
| L1 | 0.125 | 0.200 |
| L | 0.015 | 0.070 |

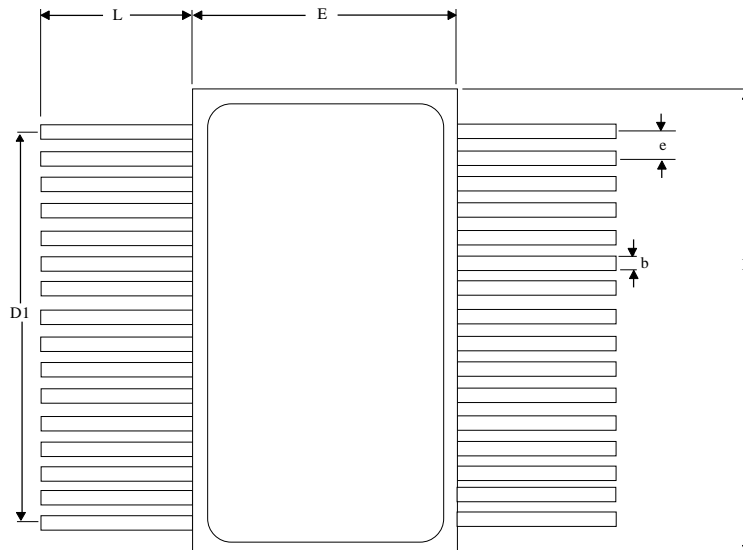
NOTE: *These dimensions are per the SMD. ASI's package dimensional limits may differ, but they will be within the SMD limits.*

*All measurements are in inches.

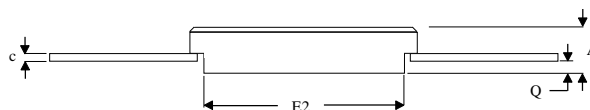


MECHANICAL DEFINITION*

ASI Case #304 (Package Designator F)
SMD 5962-95600, Case Outline 9



Top View



| SYMBOL | SMD SPECIFICATIONS | |
|--------|--------------------|-------|
| | MIN | MAX |
| A | 0.096 | 0.114 |
| b | 0.008 | 0.019 |
| c | 0.003 | 0.008 |
| D | 0.816 | 0.838 |
| D1 | 0.742 | 0.758 |
| E | 0.419 | 0.460 |
| E2 | 0.345 | 0.427 |
| e | 0.050 BSC | |
| L | 0.290 | 0.310 |
| Q | 0.024 | 0.038 |

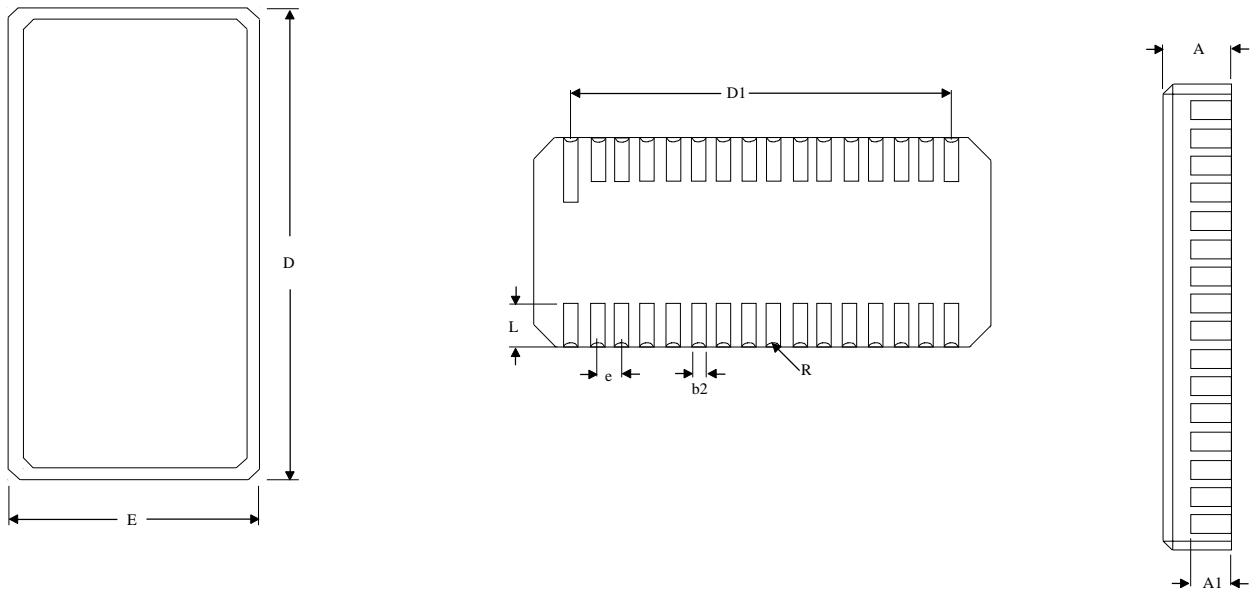
NOTE: These dimensions are per the SMD. ASI's package dimensional limits may differ, but they will be within the SMD limits.

*All measurements are in inches.



MECHANICAL DEFINITION*

**ASI Case #209 (Package Designator EC)
SMD 5962-95600, Case Outline Z**



| SYMBOL | SMD SPECIFICATIONS | |
|--------|--------------------|-------|
| | MIN | MAX |
| A | 0.080 | 0.100 |
| A1 | 0.006 | 0.054 |
| b2 | 0.022 | 0.028 |
| D | 0.815 | 0.835 |
| D1 | 0.740 | 0.760 |
| E | 0.440 | 0.460 |
| e | 0.050 BSC | |
| L | 0.100 REF | |
| R | 0.009 REF | |

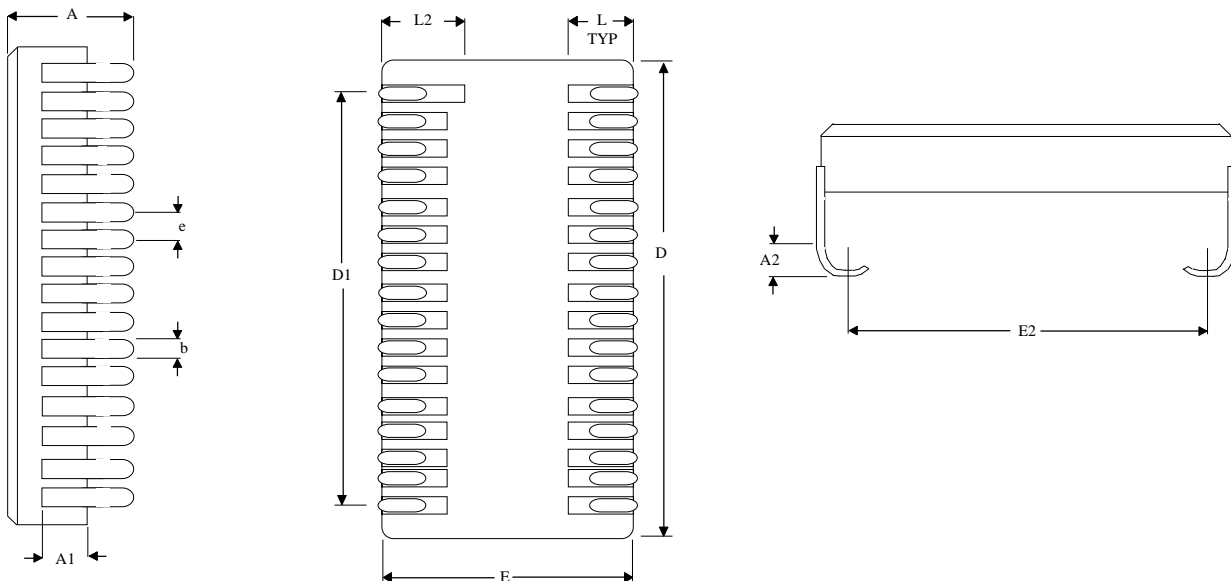
NOTE: These dimensions are per the SMD. ASI's package dimensional limits may differ, but they will be within the SMD limits.

*All measurements are in inches.



MECHANICAL DEFINITION*

ASI Case #502 (Package Designator ECJ)



| SYMBOL | ASI SPECIFICATIONS | |
|--------|--------------------|-------|
| | MIN | MAX |
| A | 0.115 | 0.160 |
| A1 | 0.054 | 0.075 |
| A2 | 0.025 | 0.063 |
| b | 0.012 | 0.028 |
| D | 0.815 | 0.835 |
| D1 | 0.740 | 0.760 |
| E | 0.418 | 0.460 |
| E2 | 0.371 | 0.440 |
| e | 0.050 BSC | |
| L | 0.050 | 0.070 |
| L2 | 0.115 | 0.135 |

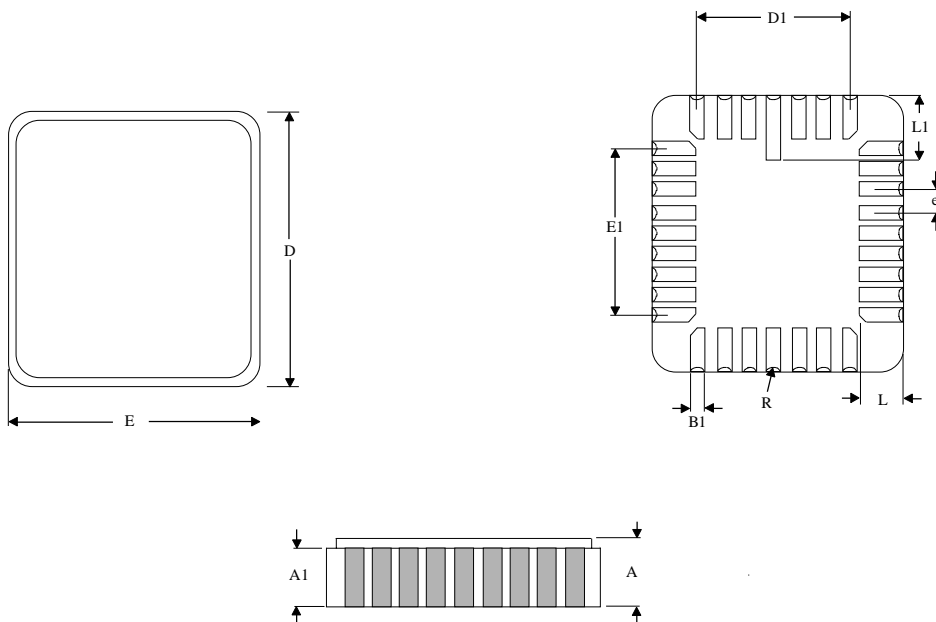
NOTE: This package meets SMD 5962-95600, Case Outline U dimensions in every aspect, except dimension E2.

*All measurements are in inches.



MECHANICAL DEFINITION*

ASI Case #208 (Package Designator ECA)



| SYMBOL | SMD SPECIFICATIONS | |
|--------|--------------------|-------|
| | MIN | MAX |
| A | 0.060 | 0.080 |
| A1 | 0.040 | 0.050 |
| B1 | 0.022 | 0.028 |
| D | 0.540 | 0.560 |
| D1 | 0.390 | 0.410 |
| E | 0.442 | 0.458 |
| E1 | 0.290 | 0.310 |
| e | 0.045 | 0.055 |
| L | 0.045 | 0.055 |
| L1 | 0.075 | 0.095 |
| R | 0.004 | 0.014 |

*All measurements are in inches.



ORDERING INFORMATION

EXAMPLE: AS5C4008CW-25L/883C

| Device Number | Package Type | Speed ns | Options** | Process |
|---------------|--------------|----------|-----------|---------|
| AS5C4008 | CW | -15 | L | /* |
| AS5C4008 | CW | -17 | L | /* |
| AS5C4008 | CW | -20 | L | /* |
| AS5C4008 | CW | -25 | L | /* |
| AS5C4008 | CW | -35 | L | /* |
| AS5C4008 | CW | -45 | L | /* |

EXAMPLE: AS5C4008ECA-45/883C

| Device Number | Package Type | Speed ns | Options** | Process |
|---------------|--------------|----------|-----------|---------|
| AS5C4008 | ECA | -15 | L | /* |
| AS5C4008 | ECA | -17 | L | /* |
| AS5C4008 | ECA | -20 | L | /* |
| AS5C4008 | ECA | -25 | L | /* |
| AS5C4008 | ECA | -35 | L | /* |
| AS5C4008 | ECA | -45 | L | /* |

EXAMPLE: AS5C4008EC-20/883C

| Device Number | Package Type | Speed ns | Options** | Process |
|---------------|--------------|----------|-----------|---------|
| AS5C4008 | EC | -15 | L | /* |
| AS5C4008 | ECJ | -15 | L | /* |
| AS5C4008 | EC | -17 | L | /* |
| AS5C4008 | ECJ | -17 | L | /* |
| AS5C4008 | EC | -20 | L | /* |
| AS5C4008 | ECJ | -20 | L | /* |
| AS5C4008 | EC | -25 | L | /* |
| AS5C4008 | ECJ | -25 | L | /* |
| AS5C4008 | EC | -35 | L | /* |
| AS5C4008 | ECJ | -35 | L | /* |
| AS5C4008 | EC | -45 | L | /* |
| AS5C4008 | ECJ | -45 | L | /* |

EXAMPLE: AS5C4008F-45L/883C

| Device Number | Package Type | Speed ns | Options** | Process |
|---------------|--------------|----------|-----------|---------|
| AS5C4008 | F | -15 | L | /* |
| AS5C4008 | F | -17 | L | /* |
| AS5C4008 | F | -20 | L | /* |
| AS5C4008 | F | -25 | L | /* |
| AS5C4008 | F | -35 | L | /* |
| AS5C4008 | F | -45 | L | /* |

***AVAILABLE PROCESSES**

IT = Industrial Temperature Range
XT = Extended Temperature Range
883C = Full Military Processing

-40°C to +85°C
-55°C to +125°C
-55°C to +125°C

****DEFINITION OF OPTIONS**

2V Data Retention/Low Power

L



**ASI TO DSCC PART NUMBER
CROSS REFERENCE
FOR 5962-95600**

Package Designator CW

| <u>ASI Part #</u> | <u>SMD Part</u> |
|---------------------|-----------------|
| AS5C4008CW-15/883C | 5962-9560014MXA |
| AS5C4008CW-20/883C | 5962-9560004MXA |
| AS5C4008CW-25/883C | 5962-9560003MXA |
| AS5C4008CW-35/883C | 5962-9560002MXA |
| AS5C4008CW-45/883C | 5962-9560001MXA |
| AS5C4008CW-15L/883C | 5962-9560013MXA |
| AS5C4008CW-20L/883C | 5962-9560008MXA |
| AS5C4008CW-25L/883C | 5962-9560007MXA |
| AS5C4008CW-35L/883C | 5962-9560006MXA |
| AS5C4008CW-45L/883C | 5962-9560005MXA |

Package Designator F

| <u>ASI Part #</u> | <u>SMD Part#</u> |
|--------------------|------------------|
| AS5C4008F-15/883C | 5962-9560014M9A |
| AS5C4008F-20/883C | 5962-9560004M9A |
| AS5C4008F-25/883C | 5962-9560003M9A |
| AS5C4008F-35/883C | 5962-9560002M9A |
| AS5C4008F-45/883C | 5962-9560001M9A |
| AS5C4008F-15L/883C | 5962-9560013M9A |
| AS5C4008F-20L/883C | 5962-9560008M9A |
| AS5C4008F-25L/883C | 5962-9560007M9A |
| AS5C4008F-35L/883C | 5962-9560006M9A |
| AS5C4008F-45L/883C | 5962-9560005M9A |

Package Designator EC

| <u>ASI Part #</u> | <u>SMD Part#</u> |
|---------------------|------------------|
| AS5C4008EC-15/883C | 5962-9560014MZA |
| AS5C4008EC-20/883C | 5962-9560004MZA |
| AS5C4008EC-25/883C | 5962-9560003MZA |
| AS5C4008EC-35/883C | 5962-9560002MZA |
| AS5C4008EC-45/883C | 5962-9560001MZA |
| AS5C4008EC-15L/883C | 5962-9560013MZA |
| AS5C4008EC-20L/883C | 5962-9560008MZA |
| AS5C4008EC-25L/883C | 5962-9560007MZA |
| AS5C4008EC-35L/883C | 5962-9560006MZA |
| AS5C4008EC-45L/883C | 5962-9560005MZA |

Package Designator ECJ

| <u>ASI Part #</u> | <u>SMD Part#</u> |
|----------------------|------------------|
| AS5C4008EC-15/883C | 5962-9560014MUA |
| AS5C4008ECJ-20/883C | 5962-9560004MUA |
| AS5C4008ECJ-25/883C | 5962-9560003MUA |
| AS5C4008ECJ-35/883C | 5962-9560002MUA |
| AS5C4008ECJ-45/883C | 5962-9560001MUA |
| AS5C4008EC-15L/883C | 5962-9560013MUA |
| AS5C4008ECJ-20L/883C | 5962-9560008MUA |
| AS5C4008ECJ-25L/883C | 5962-9560007MUA |
| AS5C4008ECJ-35L/883C | 5962-9560006MUA |
| AS5C4008ECJ-45L/883C | 5962-9560005MUA |

** ASI part number is for reference only. Orders received referencing the SMD part number will be processed per the SMD.*



**ASI TO DSCC PART NUMBER
CROSS REFERENCE
FOR 5962-95613**

Package Designator CW

| <u>ASI Part #</u> | <u>SMD Part</u> |
|-------------------|-----------------|
| AS5C4008CW-55/H | 5962-9561305HYA |
| AS5C4008CW-55L/H | 5962-9561319HYA |
| AS5C4008CW-45/H | 5962-9561306HYA |
| AS5C4008CW-45L/H | 5962-9561320HYA |
| AS5C4008CW-45/H | 5962-9561311HYA |
| AS5C4008CW-45L/H | 5962-9561325HYA |
| AS5C4008CW-35/H | 5962-9561307HYA |
| AS5C4008CW-35L/H | 5962-9561321HYA |
| AS5C4008CW-35/H | 5962-9561312HYA |
| AS5C4008CW-35L/H | 5962-9561326HYA |
| AS5C4008CW-25/H | 5962-9561308HYA |
| AS5C4008CW-25L/H | 5962-9561322HYA |
| AS5C4008CW-25/H | 5962-9561313HYA |
| AS5C4008CW-25L/H | 5962-9561327HYA |
| AS5C4008CW-20/H | 5962-9561309HYA |
| AS5C4008CW-20L/H | 5962-9561323HYA |
| AS5C4008CW-17/H | 5962-9561310HYA |
| AS5C4008CW-17L/H | 5962-9561324HYA |
| AS5C4008CW-55/H | 5962-9561305HYC |
| AS5C4008CW-55L/H | 5962-9561319HYC |
| AS5C4008CW-45/H | 5962-9561306HYC |
| AS5C4008CW-45L/H | 5962-9561320HYC |
| AS5C4008CW-45/H | 5962-9561311HYC |
| AS5C4008CW-45L/H | 5962-9561325HYC |
| AS5C4008CW-35/H | 5962-9561307HYC |
| AS5C4008CW-35L/H | 5962-9561321HYC |
| AS5C4008CW-35/H | 5962-9561312HYC |
| AS5C4008CW-35L/H | 5962-9561326HYC |
| AS5C4008CW-25/H | 5962-9561308HYC |
| AS5C4008CW-25L/H | 5962-9561322HYC |
| AS5C4008CW-25/H | 5962-9561313HYC |
| AS5C4008CW-25L/H | 5962-9561327HYC |
| AS5C4008CW-20/H | 5962-9561309HYC |
| AS5C4008CW-20L/H | 5962-9561323HYC |
| AS5C4008CW-17/H | 5962-9561310HYC |
| AS5C4008CW-17L/H | 5962-9561324HYC |

Package Designator F

| <u>ASI Part #</u> | <u>SMD Part#</u> |
|-------------------|------------------|
| AS5C4008F-55/H | 5962-9561305H9A |
| AS5C4008F-55L/H | 5962-9561319H9A |
| AS5C4008F-45/H | 5962-9561306H9A |
| AS5C4008F-45L/H | 5962-9561320H9A |
| AS5C4008F-45/H | 5962-9561311H9A |
| AS5C4008F-45L/H | 5962-9561325H9A |
| AS5C4008F-35/H | 5962-9561307H9A |
| AS5C4008F-35L/H | 5962-9561321H9A |
| AS5C4008F-35/H | 5962-9561312H9A |
| AS5C4008F-35L/H | 5962-9561326H9A |
| AS5C4008F-25/H | 5962-9561308H9A |
| AS5C4008F-25L/H | 5962-9561322H9A |
| AS5C4008F-25/H | 5962-9561313H9A |
| AS5C4008F-25L/H | 5962-9561327H9A |
| AS5C4008F-20/H | 5962-9561309H9A |
| AS5C4008F-20L/H | 5962-9561323H9A |
| AS5C4008F-17/H | 5962-9561310H9A |
| AS5C4008F-17L/H | 5962-9561324H9A |
| AS5C4008F-55/H | 5962-9561305H9C |
| AS5C4008F-55L/H | 5962-9561319H9C |
| AS5C4008F-45/H | 5962-9561306H9C |
| AS5C4008F-45L/H | 5962-9561320H9C |
| AS5C4008F-45/H | 5962-9561311H9C |
| AS5C4008F-45L/H | 5962-9561325H9C |
| AS5C4008F-35/H | 5962-9561307H9C |
| AS5C4008F-35L/H | 5962-9561321H9C |
| AS5C4008F-35/H | 5962-9561312H9C |
| AS5C4008F-35L/H | 5962-9561326H9C |
| AS5C4008F-25/H | 5962-9561308H9C |
| AS5C4008F-25L/H | 5962-9561322H9C |
| AS5C4008F-25/H | 5962-9561313H9C |
| AS5C4008F-25L/H | 5962-9561327H9C |
| AS5C4008F-20/H | 5962-9561309H9C |
| AS5C4008F-20L/H | 5962-9561323H9C |
| AS5C4008F-17/H | 5962-9561310H9C |
| AS5C4008F-17L/H | 5962-9561324H9C |

* ASI part number is for reference only. Orders received referencing the SMD part number will be processed per the SMD.

Continued on next page



ASI TO DSCC PART NUMBER CROSS REFERENCE FOR 5962-95613

| Package Designator EC | | Package Designator ECJ | |
|------------------------------|------------------------|-------------------------------|-------------------------|
| <u>ASI Part #</u> | <u>SMD Part</u> | <u>ASI Part #</u> | <u>SMD Part#</u> |
| AS5C4008EC-55/H | 5962-9561305HMA | AS5C4008ECJ-55/H | 5962-9561305HTA |
| AS5C4008EC-55L/H | 5962-9561319HMA | AS5C4008ECJ-55L/H | 5962-9561319HTA |
| AS5C4008EC-45/H | 5962-9561306HMA | AS5C4008ECJ-45/H | 5962-9561306HTA |
| AS5C4008EC-45L/H | 5962-9561320HMA | AS5C4008ECJ-45L/H | 5962-9561320HTA |
| AS5C4008EC-45/H | 5962-9561311HMA | AS5C4008ECJ-45/H | 5962-9561311HTA |
| AS5C4008EC-45L/H | 5962-9561325HMA | AS5C4008ECJ-45L/H | 5962-9561325HTA |
| AS5C4008EC-35/H | 5962-9561307HMA | AS5C4008ECJ-35/H | 5962-9561307HTA |
| AS5C4008EC-35L/H | 5962-9561321HMA | AS5C4008ECJ-35L/H | 5962-9561321HTA |
| AS5C4008EC-35/H | 5962-9561312HMA | AS5C4008ECJ-35/H | 5962-9561312HTA |
| AS5C4008EC-35L/H | 5962-9561326HMA | AS5C4008ECJ-35L/H | 5962-9561326HTA |
| AS5C4008EC-25/H | 5962-9561308HMA | AS5C4008ECJ-25/H | 5962-9561308HTA |
| AS5C4008EC-25L/H | 5962-9561322HMA | AS5C4008ECJ-25L/H | 5962-9561322HTA |
| AS5C4008EC-25/H | 5962-9561313HMA | AS5C4008ECJ-25/H | 5962-9561313HTA |
| AS5C4008EC-25L/H | 5962-9561327HMA | AS5C4008ECJ-25L/H | 5962-9561327HTA |
| AS5C4008EC-20/H | 5962-9561309HMA | AS5C4008ECJ-20/H | 5962-9561309HTA |
| AS5C4008EC-20L/H | 5962-9561323HMA | AS5C4008ECJ-20L/H | 5962-9561323HTA |
| AS5C4008EC-17/H | 5962-9561310HMA | AS5C4008ECJ-17/H | 5962-9561310HTA |
| AS5C4008EC-17L/H | 5962-9561324HMA | AS5C4008ECJ-17L/H | 5962-9561324HTA |
| | | | |
| AS5C4008EC-55/H | 5962-9561305HMC | AS5C4008ECJ-55/H | 5962-9561305HTC |
| AS5C4008EC-55L/H | 5962-9561319HMC | AS5C4008ECJ-55L/H | 5962-9561319HTC |
| AS5C4008EC-45/H | 5962-9561306HMC | AS5C4008ECJ-45/H | 5962-9561306HTC |
| AS5C4008EC-45L/H | 5962-9561320HMC | AS5C4008ECJ-45L/H | 5962-9561320HTC |
| AS5C4008EC-45/H | 5962-9561311HMC | AS5C4008ECJ-45/H | 5962-9561311HTC |
| AS5C4008EC-45L/H | 5962-9561325HMC | AS5C4008ECJ-45L/H | 5962-9561325HTC |
| AS5C4008EC-35/H | 5962-9561307HMC | AS5C4008ECJ-35/H | 5962-9561307HTC |
| AS5C4008EC-35L/H | 5962-9561321HMC | AS5C4008ECJ-35L/H | 5962-9561321HTC |
| AS5C4008EC-35/H | 5962-9561312HMC | AS5C4008ECJ-35/H | 5962-9561312HTC |
| AS5C4008EC-35L/H | 5962-9561326HMC | AS5C4008ECJ-35L/H | 5962-9561326HTC |
| AS5C4008EC-25/H | 5962-9561308HMC | AS5C4008ECJ-25/H | 5962-9561308HTC |
| AS5C4008EC-25L/H | 5962-9561322HMC | AS5C4008ECJ-25L/H | 5962-9561322HTC |
| AS5C4008EC-25/H | 5962-9561313HMC | AS5C4008ECJ-25/H | 5962-9561313HTC |
| AS5C4008EC-25L/H | 5962-9561327HMC | AS5C4008ECJ-25L/H | 5962-9561327HTC |
| AS5C4008EC-20/H | 5962-9561309HMC | AS5C4008ECJ-20/H | 5962-9561309HTC |
| AS5C4008EC-20L/H | 5962-9561323HMC | AS5C4008ECJ-20L/H | 5962-9561323HTC |
| AS5C4008EC-17/H | 5962-9561310HMC | AS5C4008ECJ-17/H | 5962-9561310HTC |
| AS5C4008EC-17L/H | 5962-9561324HMC | AS5C4008ECJ-17L/H | 5962-9561324HTC |

* ASI part number is for reference only. Orders received referencing the SMD part number will be processed per the SMD.