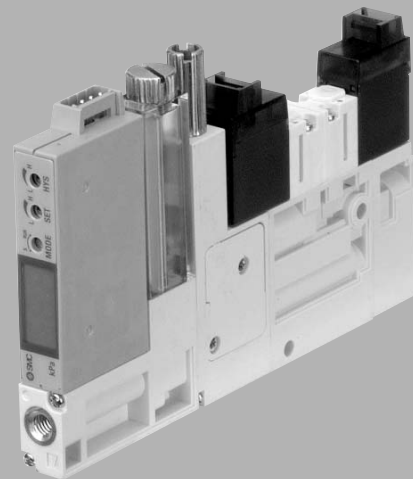
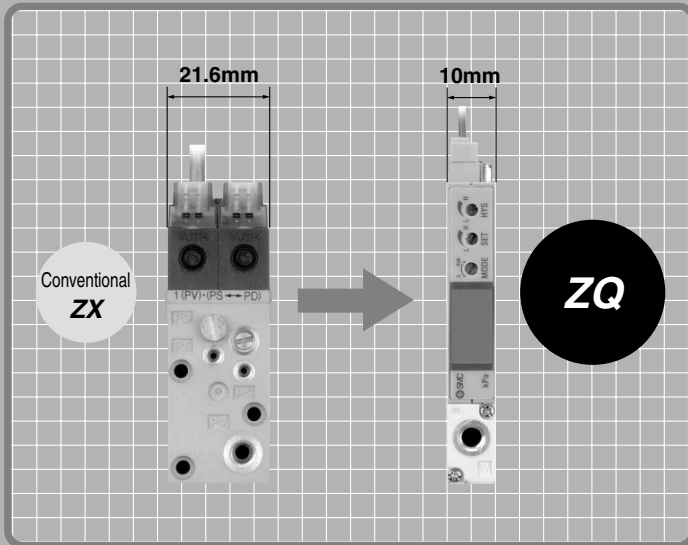


# Compact Vacuum Ejector Series ZQ

Body width **10 mm**, Weight **109 g**  
(Single unit with vacuum pressure switch and suction filter)



ZX  
ZR  
ZM  
ZH  
ZU  
ZL  
ZY  
**ZQ**  
ZF  
ZP  
ZCU  
AMJ  
Misc.

**One-touch fitting**

**Digital vacuum pressure switch  
With LED display**



## Series Variations

Series	Nozzle diameter mm	Supply valve	Release valve	Vacuum pressure switch	Suction filter
<b>ZQ105</b>	ø0.5	<ul style="list-style-type: none"> <li>• N.C.</li> <li>• N.O.</li> <li>• Latching</li> </ul>	• N.C.	<ul style="list-style-type: none"> <li>• 1 NPN output and analog output</li> <li>• 1 PNP output and analog output</li> <li>• 2 NPN outputs</li> <li>• 2 PNP outputs</li> </ul>	Filtration 30 µm
<b>ZQ107</b>	ø0.7				
<b>ZQ110</b>	ø1.0				

# Compact Vacuum Ejector Series ZQ

## How to Order

**Ejector unit** ZQ1 07 1U - K1 5 L - D31 C

**Nozzle nominal size**

05	ø0.5
07	ø0.7
10	ø1.0

**Ejector exhaust**

1U	Silencer for single unit
3M	Silencer for manifold

**Solenoid valve combination (Refer to Table (1).)**

Symbol	Supply valve	Release valve
K1	N.C.	N.C.
K2	N.O.	N.C.
J1	N.C.	None
J2	N.O.	None
Q1	Latching positive common	N.C.
Q2	Latching positive common	None

**Pilot valve (Refer to Table (1).)**

Nil	Standard type (1 W for DC) <sup>Note)</sup>
Y	DC low wattage type (0.5 W)

Note) In the case of the manifold type or when single unit valves are aligned closely with each other, avoid energization lasting more than 3 days.

**Voltage (Refer to Table (1).)**

1	100 V AC
2	200 V AC
3	110 V AC
4	220 V AC
5	24 V DC
6	12 V DC

**Electrical entry**

L	L plug connector, With 0.3 m lead wire With light/surge voltage suppressor
LO	L plug connector, Without connector With light/surge voltage suppressor
G	Grommet, With 0.3 m lead wire (Not available for latching and AC types.)

**Check valve**

Nil	None
K	With check valve

Note) The check valve has a function to prevent the exhaust air from the silencer overflowing to the vacuum port side when a manifold is used.

**Warning**

- Cannot be used for vacuum retention.
- Use a release valve. (Without a release valve, the work piece may not be released.)

**Vacuum switch electrical entry**

C	Connector type Lead wire length: 0.6 m
CL	Connector type Lead wire length: 3 m
CN	Connector type Without connector

**Vacuum pressure switch suction filter**

F	Suction filter only
D31	1 NPN output and analog output, suction filter
D32	2 NPN outputs, suction filter
D51	1 PNP output and analog output, suction filter
D52	2 PNP outputs, suction filter

**Manual override**

Nil	Non-locking push type Latching: Push-lock type
B	Locking slotted type

Only the "Nil" type manual override is available with a latching type supply valve. In such cases, the supply valve and release valve come with a lock.

**Table (1) Combination of solenoid valve, pilot valve and power supply voltage**

	Solenoid valve combination symbol	Pilot valve symbol	Applicable power supply voltage					
			AC 100	AC 200	AC 110	AC 220	DC 24	DC 12
①	K1	Nil					●	●
②	K1	Y					●	●
③	K2	Nil					●	●
④	J1	Nil	●	●	●	●	●	●
⑤	J1	Y					●	●
⑥	J2	Nil					●	●
⑦	Q1	Nil					●	●
⑧	Q2	Nil	●	●	●	●	●	●

Combinations (1) to (8) in the above table are the only possible options.

## How to Order

Manifold

ZZQ1 08 - B S B

Number of stations <sup>Note)</sup>

01	1 station
02	2 station
⋮	⋮
08	8 station

Note) Number of stations varies according to nozzle nominal size during simultaneous operation.

### Maximum number of stations in simultaneous operation

Nozzle nominal size	Maximum number of stations in simultaneous operation
ø0.5	8 Stations
ø0.7	6 Stations
ø1.0	4 Stations

Pilot exhaust port location

B Both sides

Exhaust

S Silencer (Both sides)

Supply port location

B Both sides

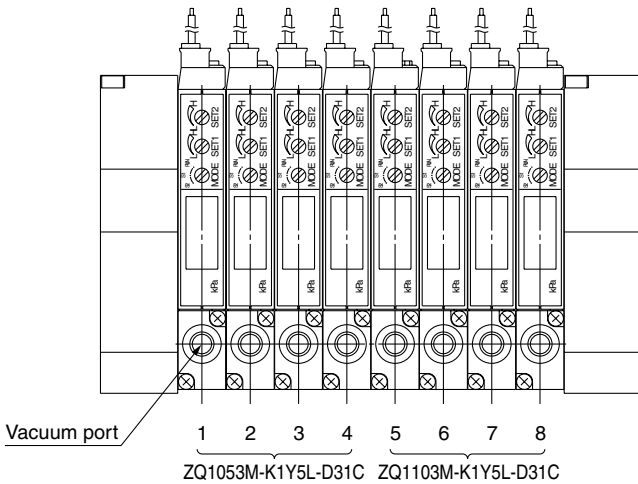
### Manifold Ordering Example

- ZZQ108-BSB → 1 pc.  
 \*ZQ1053M-K1Y5L-D31C → 4 pcs. (Stations 1 to 4)  
 \*ZQ1103M-K1Y5L-D31C → 4 pcs. (Stations 5 to 8)

The stations are sequentially numbered. When viewed from the side of the vacuum ports, the far left station is designated as station 1.

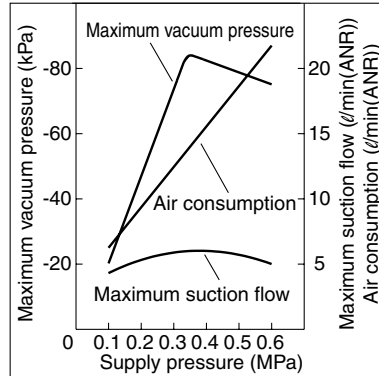
Left

Right

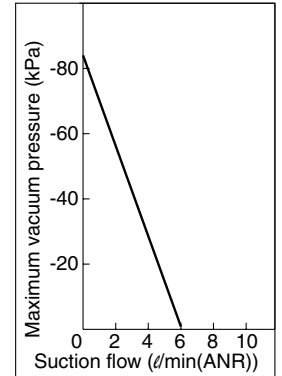


### Flow Characteristics/Exhaust Characteristics

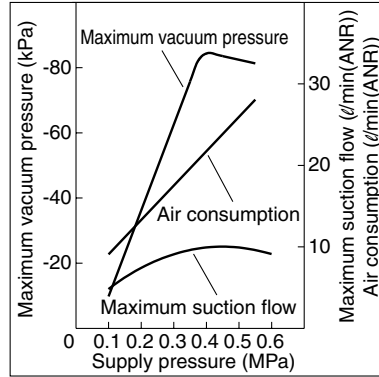
#### ZQ105 Exhaust Characteristics



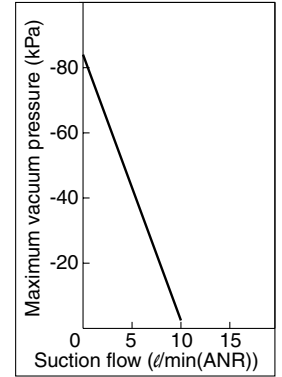
#### ZQ105 Flow Characteristics



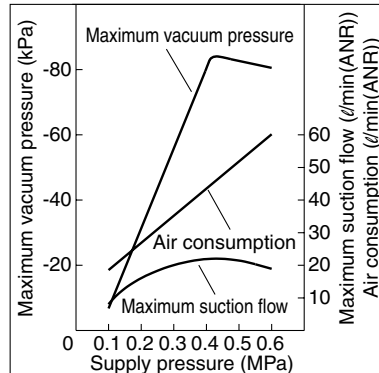
#### ZQ107 Exhaust Characteristics



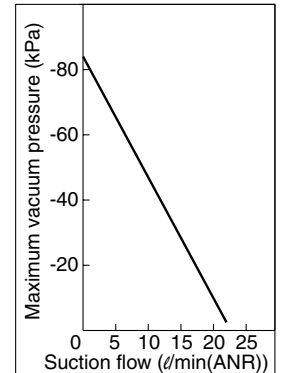
#### ZQ107 Flow Characteristics



#### ZQ110 Exhaust Characteristics



#### ZQ110 Flow Characteristics



ZX

ZR

ZM

ZH

ZU

ZL

ZY

ZQ

ZF

ZP

ZCU

AMJ

Misc.

# Series ZQ

## Specifications

### Ejector

Model	ZQ105	ZQ107	ZQ110
Nozzle nominal diameter mm $\phi$	0.5	0.7	1.0
Maximum suction flow $\ell/\text{min}(\text{ANR})$	5	10	22
Air consumption $\ell/\text{min}(\text{ANR})$	14	23	46
Maximum vacuum pressure	-80 kPa		
Supply pressure range	0.3 MPa to 0.6 MPa		
Supply pressure	0.35 MPa	0.43 MPa	
Operating temperature range	5 to 50°C		

### Weight

Single unit	Suction filter <sup>Note 1)</sup>	95 g
	Switch and suction filter <sup>Note 2)</sup>	109 g
End plate assembly for manifold		122 g

Note 1) Including a 0.3 m connector for the supply and release valves.

Note 2) Including a 0.3 m connector for the supply and release valves and a 0.6 m connector for the switch.

#### ◎ Calculation of weight for the manifold type

(Single unit weight) x (Number of stations) + (Weight of end plate assembly for manifold)

**Example) Switch + 8 stations with suction filter**

$$109 \text{ g} \times 8 + 122 \text{ g} = 994 \text{ g}$$

### Supply Valve and Release Valve

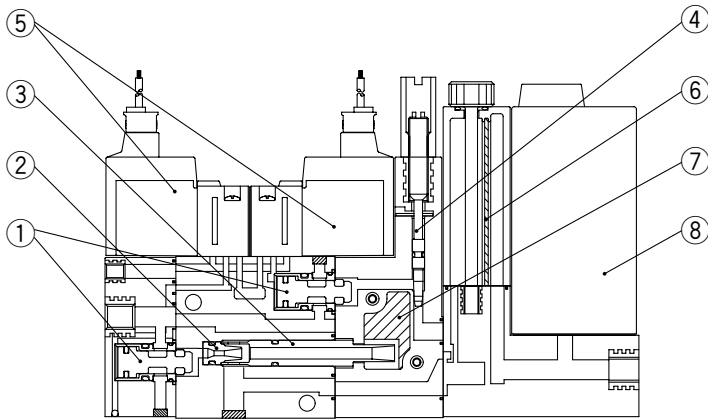
Type	Normally closed type		Latching type	Normally open type
	Standard type	Low wattage type (0.5 W)		
Model <small>(Refer to How to Order for solenoid valves on page 13-9-5.)</small>	VQ110-□	VQ110Y-□	VQ110L-□	ZQ1-VQ120-□
Fluid	Air, Inert gas			
Maximum operating pressure	0.6 MPa			
Minimum operating pressure	0.3 MPa			
Ambient and fluid temperature	5 to 50°C			
Lubrication	Not required			
Manual override	Non-locking push type / Lock type (tool type)		Push-lock type	Non-locking push type / Lock type (tool type)
Rated coil voltage	12, 24 VDC, 100, 110, 200, 220 VAC			12, 24 VDC
Power consumption (current value)	DC	1 W	0.5 W	1 W
	100 VAC	0.5 VA (5 mA)	—	0.6 VA (6 mA)
	110 VAC	0.55 VA (5 mA)	—	0.65 VA (5.9 mA)
	200 VAC	1.0 VA (5 mA)	—	1.2 VA (6 mA)
	220 VAC	1.1 VA (5 mA)	—	1.3 VA (5.9 mA)
Electrical entry	Grommet		L plug connector	Grommet
	L plug connector (With light/surge voltage suppressor)		With light/surge voltage suppressor	L plug connector (With light/surge voltage suppressor)

### Vacuum Pressure Switch

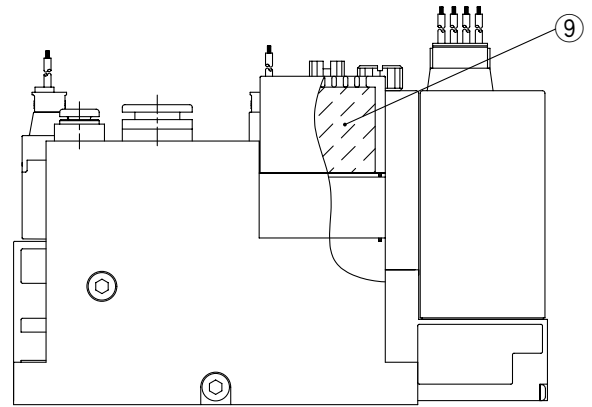
Model <small>(Refer to How to Order for vacuum pressure switches on page 13-9-5.)</small>	ZQ1S-D31□-□-AS	ZQ1S-D51□-□-AS	ZQ1S-D32□-□-AS	ZQ1S-D52□-□-AS
Rated pressure range	0 to -100 kPa			
Set pressure range	0 to -99 kPa			
Withstand pressure	0.2 MPa			
Fluid	Air/Non-corrosive metal/Non-combustible gas			
Power supply voltage	12 to 24 VDC $\pm 10\%$			
Current consumption	35 mA or less [with power supply voltage of 24 VDC and switch output ON (with no load)]			
Ambient temperature range	5 to 50 °C (with no freezing or condensation)			
Ambient humidity range	35 to 85 %RH in operation and saving (with no condensation)			
Withstand voltage	500 VAC for 1 min			
Insulation resistance	50 M $\Omega$ or more (between live parts and pressure port at 500 VDC)			
Switch output	1 NPN output and analog output	1 PNP output and analog output	2 NPN outputs	2 PNP outputs
Maximum load current	80 mA (per output)			
Maximum applied voltage	30 V (for NPN output)			
Residual voltage	NPN output: 0.8 V or less (at 80 mA inrush), PNP output: 1.2 V or less (at 80 mA discharge)			
Response time	2 ms or less			
Hysteresis	0 to 15% F.S. or less (adjustable)	2% F.S. or less (fixed)	0 to 15% F.S. or less (adjustable)	2% F.S. or less (fixed)
Display	2-digit red LED			
Display accuracy	$\pm 3\%$ F.S. $\pm 2$ digits			
Output indicator light	Lights up when output is ON (red LED).		Lights up when output is ON (red for OUT1 and green for OUT2)	
Analog output <sup>Note)</sup>	(Only applicable to D31 and D5.1)			
Output voltage	1 to 5 V $\pm 2.5\%$ F.S. or less			
Linearity	$\pm 0.5$ F.S. or less			

## Construction

### Single unit



### Manifold



### Component Parts

No.	Description	Material
①	Poppet valve assembly	—
②	Nozzle	Aluminum
③	Diffuser	Aluminum
④	Release flow adjustment needle	Aluminum

### Replacement Parts

No.	Description	Material	Part no.
⑤	Solenoid valve	—	Refer to How to Order below
⑥	Filter element	PVF	XT534-5-001-AS
⑦	Sound absorbing material 1 (single unit)	PVF	XT534-5-004
⑧	Vacuum pressure switch	—	Refer to "How to Order" below
⑨	Sound absorbing material 2 (manifold)	PVF	XT534-5-003

ZX

ZR

ZM

ZH

ZU

ZL

ZY

ZQ

ZF

ZP

ZCU

AMJ

Misc.

## How to Order

**Pilot valve**

Nil	Standard type (1W)
Y	DC low wattage type (0.5 W) Not available for AC type
L	Latching positive common

**Actuation**

1	Normally closed
---	-----------------

**Rated coil voltage**

1	100V AC
2	200V AC
3	110V AC
4	220V AC
5	24V DC
6	12V DC

**Check valve**

Nil	None
K	With check valve

Note) The check valve has a function to prevent the exhaust air from the silencer overflowing to the vacuum port side when a manifold is used.

**Warning**

- Cannot be used for vacuum retention.
- Use a release valve. (Without a release valve, the workpiece may not be released.)

**Electrical entry**

L	L plug connector With 0.3 m lead wire
LO	L plug connector Without connector
G	Grommet With 0.3 m lead wire (Not available for latching and AC types.)

Note) Mounting screws are attached.

**Manual override**

Nil	Non-locking push type
	Latching: Push-lock type
B	Locking: Slotted type

Note) Only the "Nil" type is available with a latching type.

**Solenoid valve**

VQ1 1 0 [ ] 5 L [ ]

ZQ1-VQ1 2 0 [ ] 5 L [ ]

**Vacuum pressure switch**

ZQ1S-D 31 C [ ] AS

**Switch specifications**

31	1 NPN output and analog output
32	2 NPN outputs
51	1 PNP output and analog output
52	2 PNP outputs

**Electrical entry**

C	Connector type Lead wire length: 0.6 m
CL	Connector type Lead wire length: 3 m
CN	Without connector

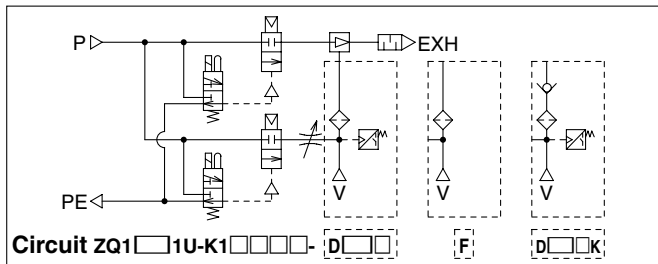
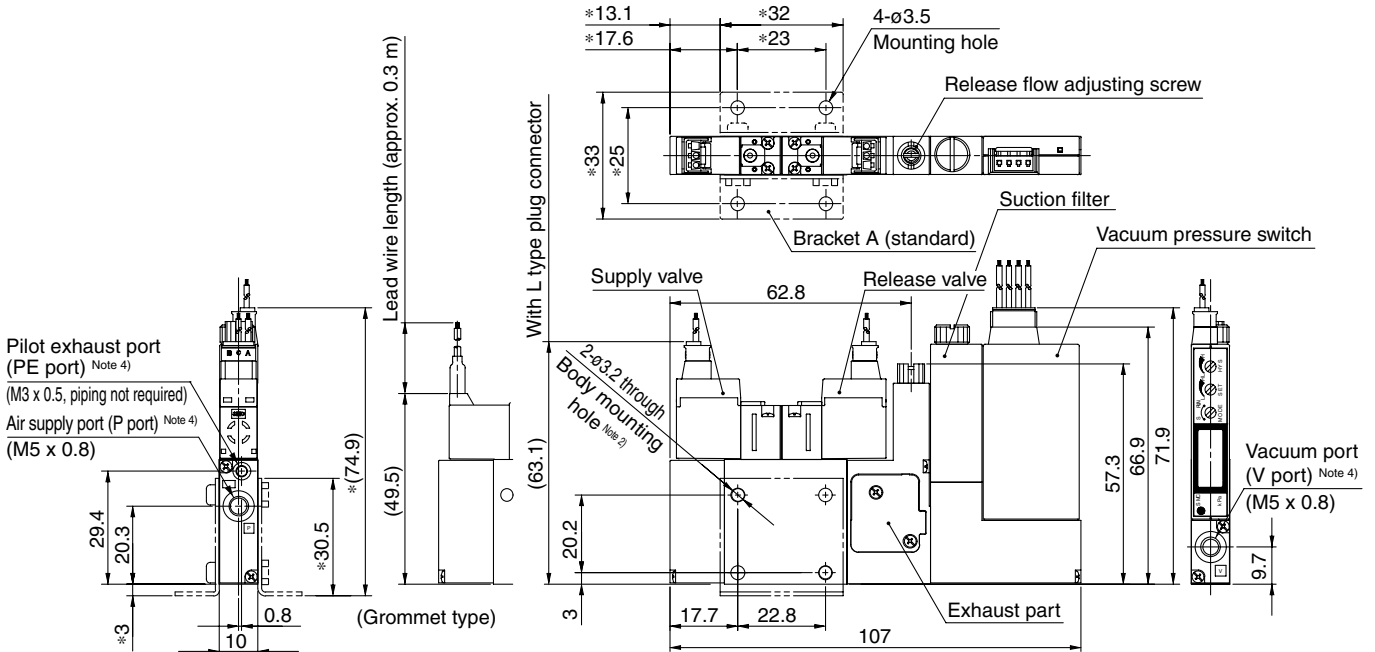
Note) Mounting screws are attached.

# Series ZQ

## Dimensions

### Type K1

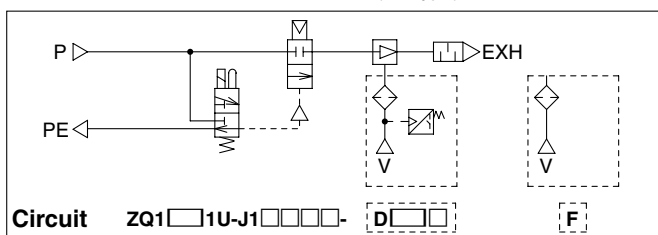
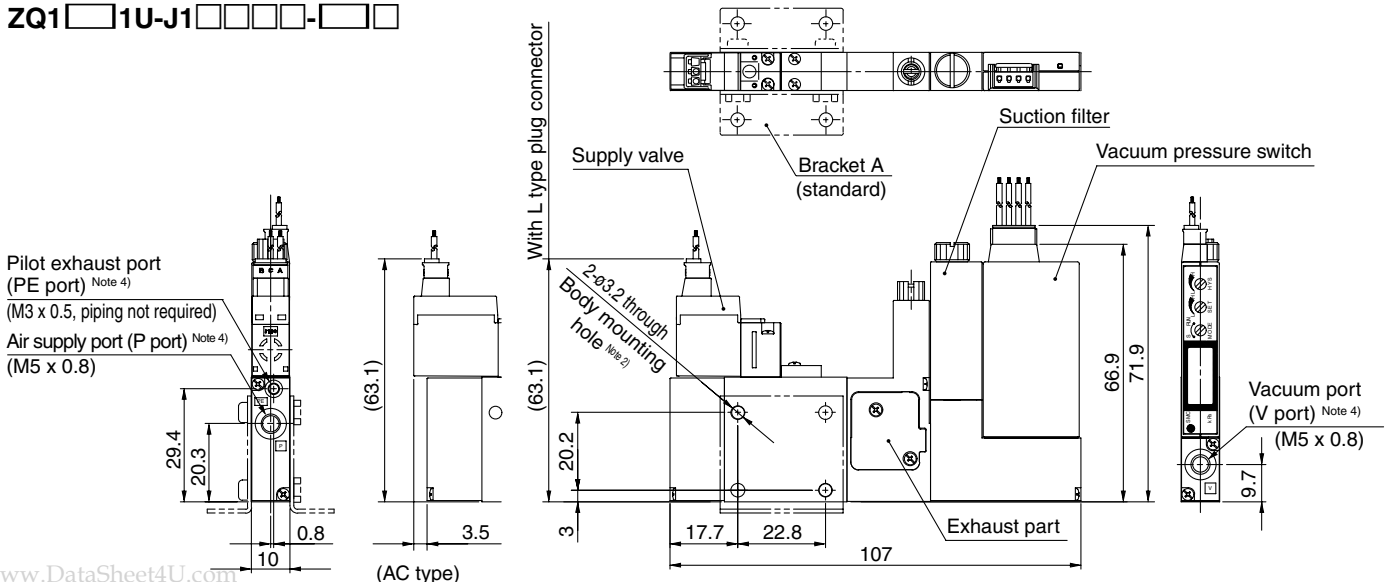
ZQ1□□1U-K1□□□□-□□□□



- Note 1) The above dimensions are for ZQ1□□1U-K1□□□□-D□□□□. In the case of ZQ1□□1U-K1□□□□-F□□□□, the overall length is 87.2.
- Note 2) Dimensions marked with "\*" are those after bracket A is mounted.
- Note 3) When the body is mounted, tighten with a torque of  $0.6 \pm 0.06$  Nm. Using excessive torque may cause damage to the body.
- Note 4) The pitches of P, PE and V ports are determined assuming the use of the Series KJ one-touch fittings. If used with other fittings, these may cause interference, dependant on their type and size. Please refer to the catalogue to confirm the sizes of the fittings to be used.

### Type J1

ZQ1□□1U-J1□□□□-□□□□

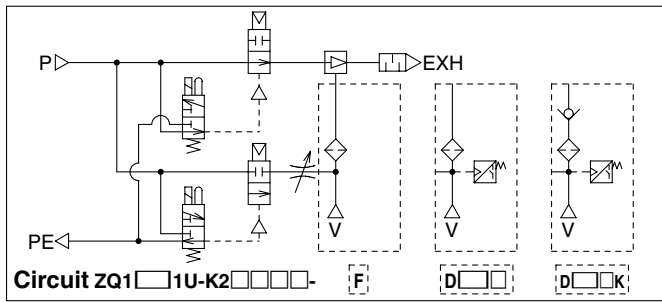
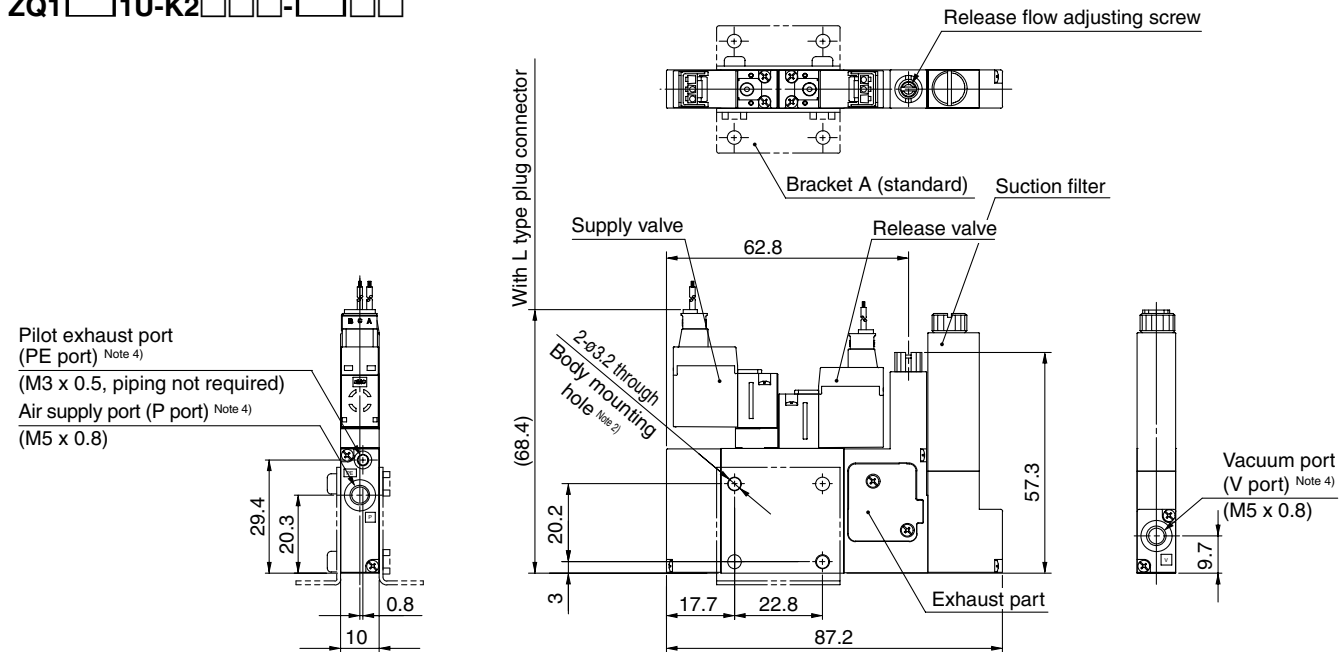


- Note 1) The above dimensions are for ZQ1□□1U-J1□□□□-L-D□□□□. In the case of ZQ1□□1U-J1□□□□-F□□□□, the overall length is 87.2.
- Note 2) The dimensions after bracket A is mounted are the same as those of the K1 type.
- Note 3) When the body is mounted, tighten with a torque of  $0.6 \pm 0.06$  Nm. Using excessive torque may cause damage to the body.
- Note 4) The pitches of P, PE and V ports are determined assuming the use of the Series KJ one-touch fittings. If used with other fittings, these may cause interference, dependant on their type and size. Please refer to the catalogue to confirm the sizes of the fittings to be used.

## Dimensions

### Type K2

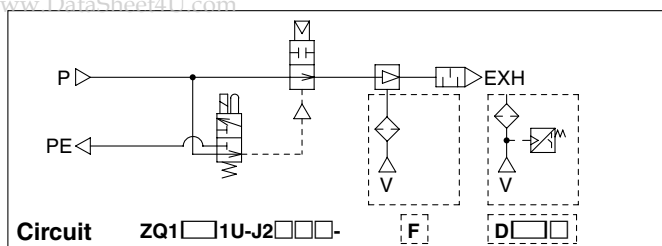
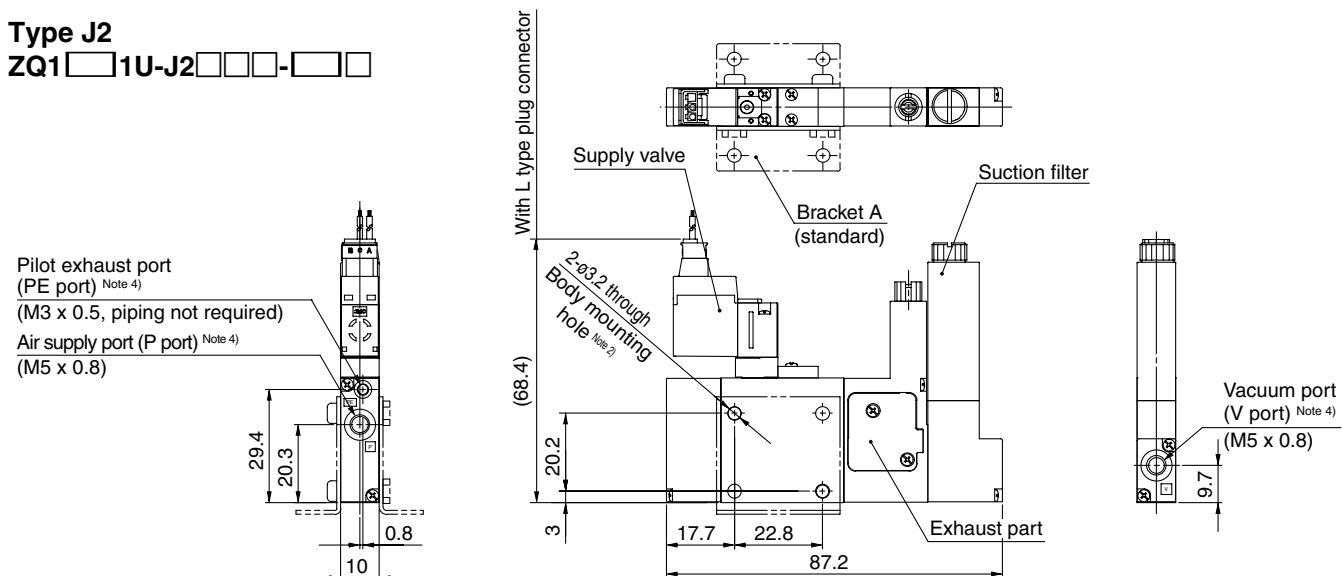
ZQ1□□1U-K2□□□□-□□□□



- Note 1) The above dimensions are for ZQ1□□1U-K2□□□□L-F□. In the case of ZQ1□□1U-K2□□□□-D□□□□, the overall length is 107.
- Note 2) The dimensions after bracket A is mounted are the same as those of the K1 type.
- Note 3) When the body is mounted, tighten with a torque of  $0.6 \pm 0.06$  Nm. Using excessive torque may cause damage to the body.
- Note 4) The pitches of P, PE and V ports are determined assuming the use of the Series KJ one-touch fittings. If used with other fittings, these may cause interference, dependant on their type and size. Please refer to the catalogue to confirm the sizes of the fittings to be used.

### Type J2

ZQ1□□1U-J2□□□□-□□□□



- Note 1) The above dimensions are for ZQ1□□1U-J2□□□□L-F□. In the case of ZQ1□□1U-J2□□□□-D□□□□, the overall length is 107.
- Note 2) The dimensions after bracket A is mounted are the same as those of the K1 type.
- Note 3) When the body is mounted, tighten with a torque of  $0.6 \pm 0.06$  Nm. Using excessive torque may cause damage to the body.
- Note 4) The pitches of P, PE and V ports are determined assuming the use of the Series KJ one-touch fittings. If used with other fittings, these may cause interference, dependant on their type and size. Please refer to the catalogue to confirm the sizes of the fittings to be used.

- ZX
- ZR
- ZM
- ZH
- ZU
- ZL
- ZY
- ZQ
- ZF
- ZP
- ZCU
- AMJ
- Misc.

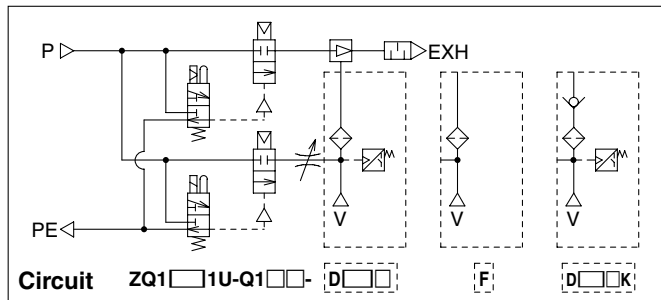
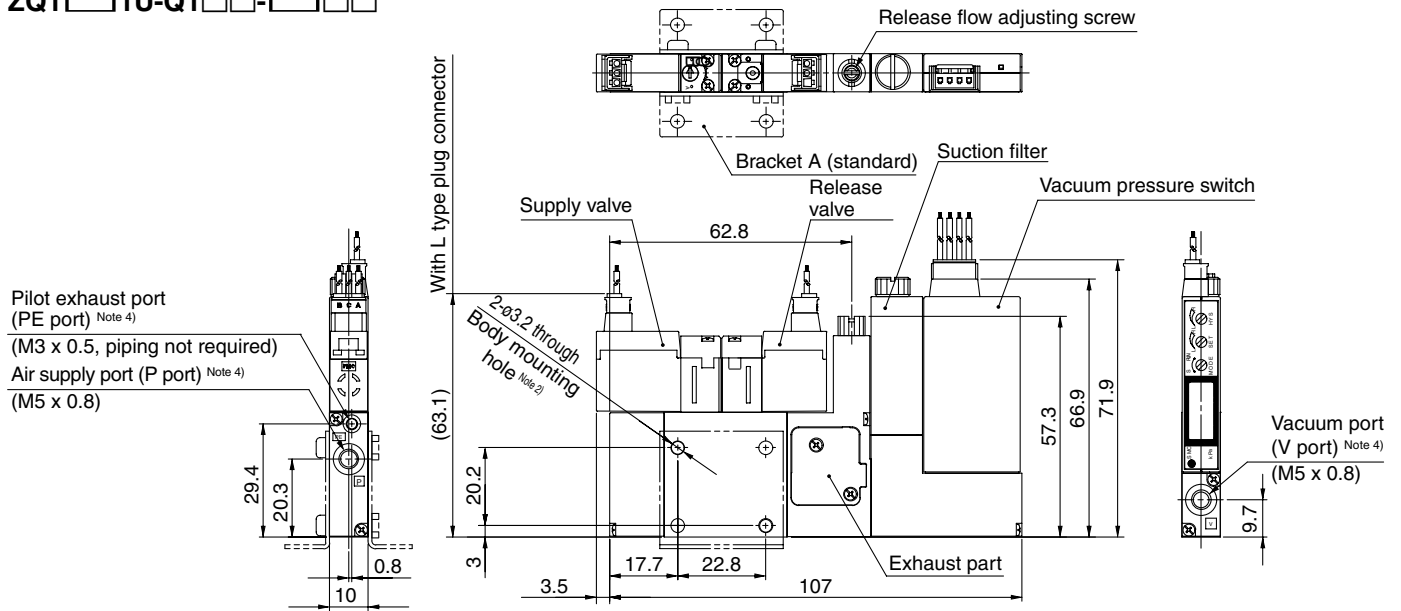


# Series ZQ

## Dimensions

### Type Q1

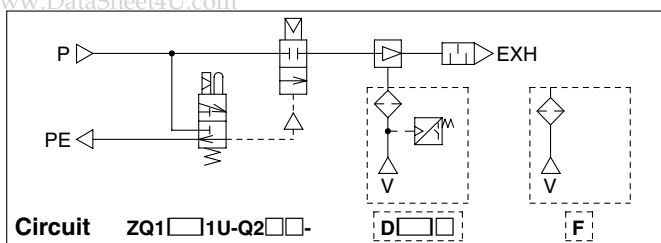
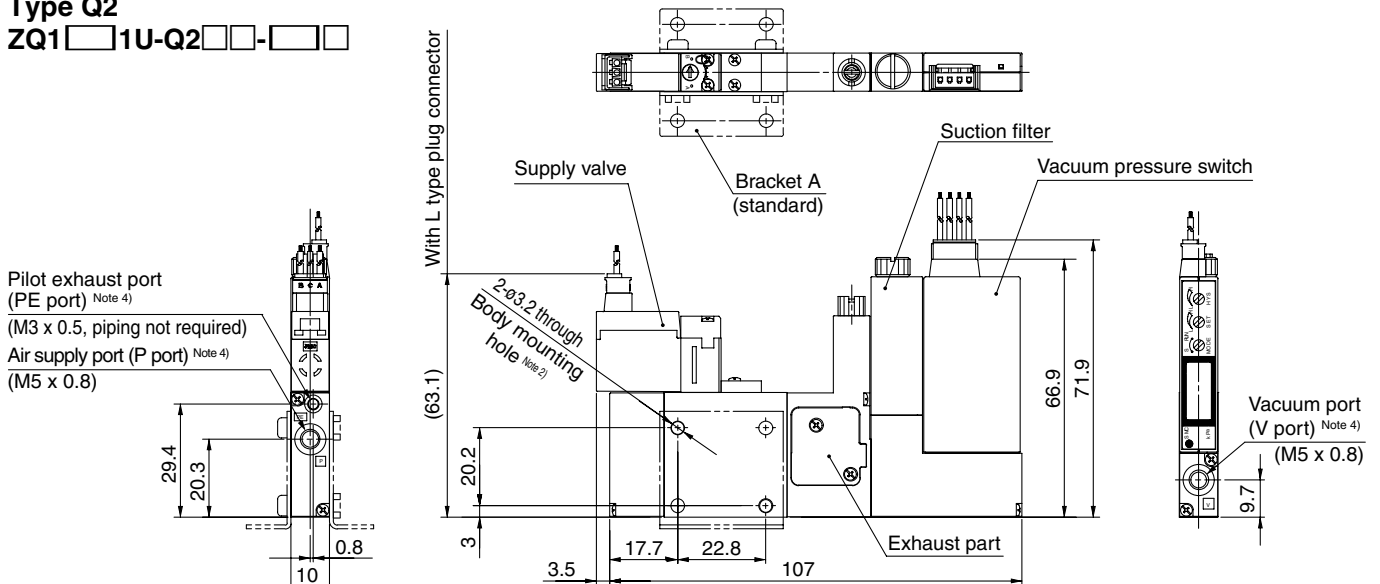
ZQ1□□1U-Q1□□-□□□□



- Note 1) The above dimensions are for ZQ1□□1U-G1 $\frac{5}{8}$ L-D□□C□. In the case of ZQ1□□1U-Q1□□-F□, the overall length is 87.2.
- Note 2) The dimensions after bracket A is mounted are the same as those of the K1 type.
- Note 3) When the body is mounted, tighten with a torque of  $0.6 \pm 0.06$  Nm. Using excessive torque may cause damage to the body.
- Note 4) The pitches of P, PE and V ports are determined assuming the use of the Series KJ one-touch fittings. If used with other fittings, these may cause interference, dependant on their type and size. Please refer to the catalogue to confirm the sizes of the fittings to be used.

### Type Q2

ZQ1□□1U-Q2□□-□□□□



- Note 1) The above dimensions are for ZQ1□□1U-G2 $\frac{5}{8}$ L-D□□C□. In the case of ZQ1□□1U-Q2□□-F□, the overall length is 87.2.
- Note 2) The dimensions after bracket A is mounted are the same as those of the K1 type.
- Note 3) When the body is mounted, tighten with a torque of  $0.6 \pm 0.06$  Nm. Using excessive torque may cause damage to the body.
- Note 4) The pitches of P, PE and V ports are determined assuming the use of the Series KJ one-touch fittings. If used with other fittings, these may cause interference, dependant on their type and size. Please refer to the catalogue to confirm the sizes of the fittings to be used.

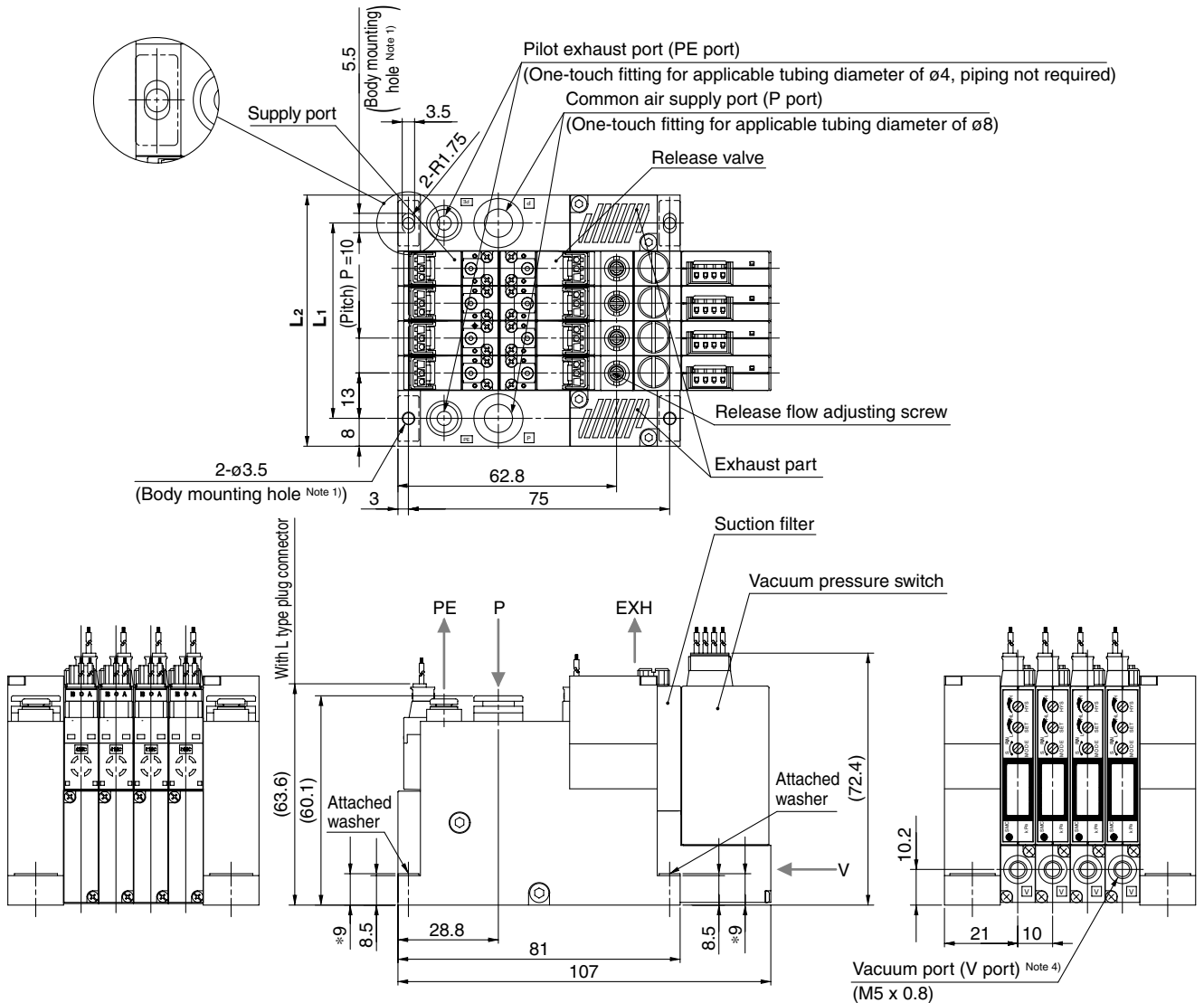


## Dimensions

### Manifold type

ZZQ1□-BSB

\*ZQ1□3M-□□□□□-□□□□



- ZX
- ZR
- ZM
- ZH
- ZU
- ZL
- ZY
- ZQ
- ZF
- ZP
- ZCU
- AMJ
- Misc.

### Dimensions

n: Number of stations (mm)

n	1	2	3	4	5	6	7	8
L1	26	36	46	56	66	76	86	96
L2	52	52	62	72	82	92	102	112

Note 1) The above dimensions are for ZZQ1□-BSB.

\*ZQ1□3M-K10□L-D□C□.

\*In the case of ZQ1□3M-□□□□□-F□, the overall length is 87.2.

Note 2) \*Dimensions marked with "\*" are those after the attached square bracket is mounted.

Note 3) When the body is mounted, tighten with a torque of 0.6±0.06 Nm.

Using excessive torque may cause damage to the body.

Note 4) The pitches of V ports are determined assuming the use of the Series KJ one-touch fittings. If used with other fittings, these may cause interference, dependant on their type and size. Please refer to the catalogue to confirm the sizes of the fittings to be used.

