

**PLEASE CHECK WWW.MOLEX.COM FOR LATEST PART INFORMATION**

**Part Number:** [1200905079](#)  
**Status:** **Active**  
**Overview:** [nanochange 40m841 products](#)  
**Description:** Nano-Change® (M8) Receptacle, M8 x 0.5 Mounting Threads, Straight Male, Male 0.20m (7.87") Length, with 5 Poles on Mating Side

**Documents:**

[Drawing \(PDF\)](#) [RoHS Certificate of Compliance \(PDF\)](#)

**General**

Product Family	Industrial Receptacles
Series	<a href="#">120090</a>
IP Rating	IP67
NEMA Rating	NEMA 6
Overview	<a href="#">nanochange 40m841 products</a>
Product Name	Nano-Change® (M8)
Type	Single Ended (pigtail)

**Physical**

Coupling Type	External Thread
Gender	Male
Keyway	None
Length	0.20m (7.87")
Material - Component	Nickel-plated Brass
Mounting Thread Size	M8 x 0.5
Orientation	Straight
Panel Mount	Back, Front
Poles	5
Temperature Range - Operating	-25°C to +90°C
Wire Size AWG	24
Wire/Cable Type	Leads

**Electrical**

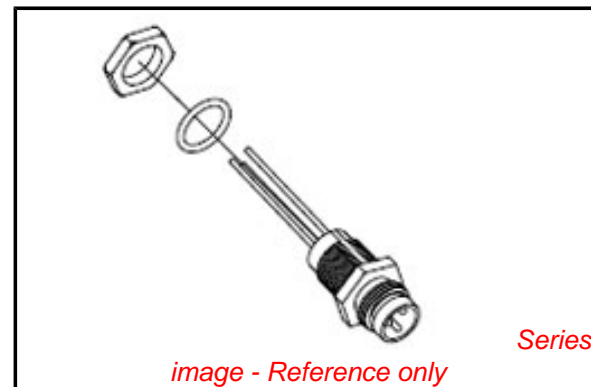
Current - Maximum per Contact	4A
Voltage - Maximum	60V AC / 75V DC

**Material Info**

Old Part Number	4R5F06E02C200
-----------------	---------------

**Reference - Drawing Numbers**

Sales Drawing	SD-120090-003
---------------	---------------



**EU RoHS**

**RoHS Compliant by Exemption**  
**REACH SVHC Not Reviewed**  
**Halogen-Free Status Not Reviewed**

**China RoHS**

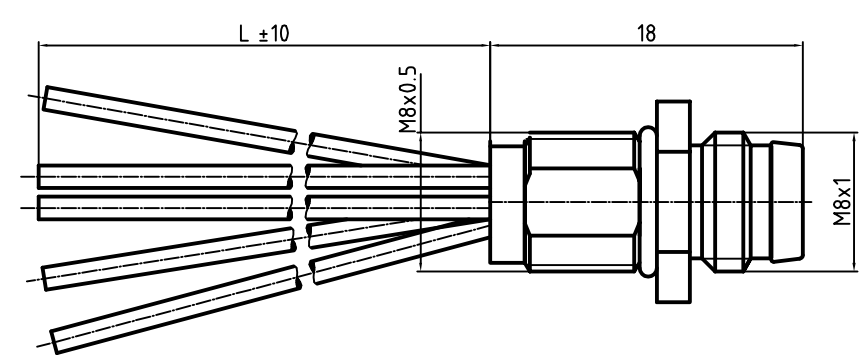
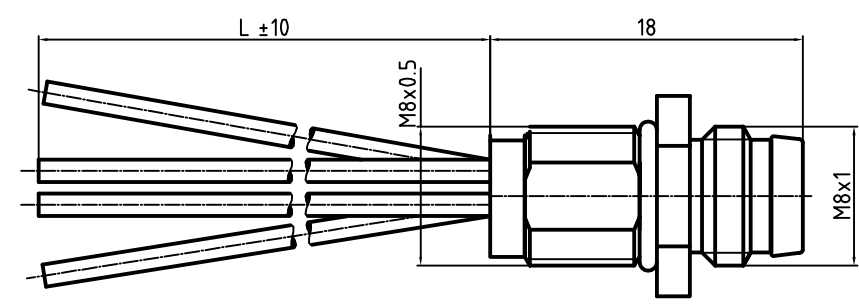
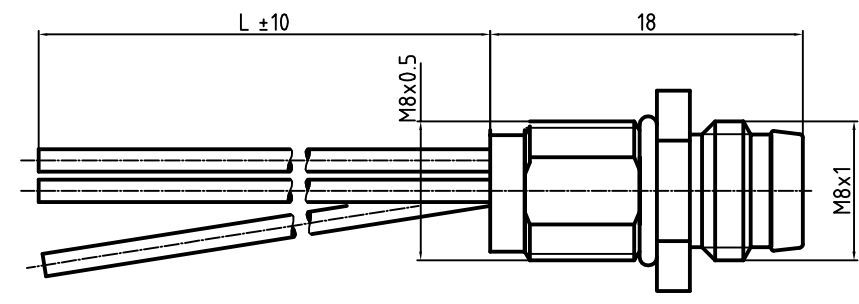
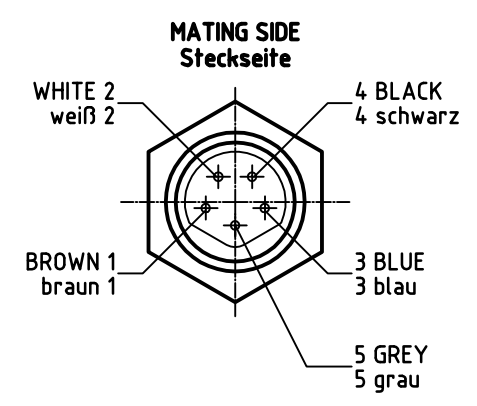
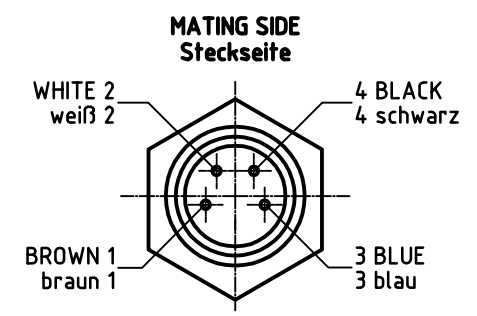
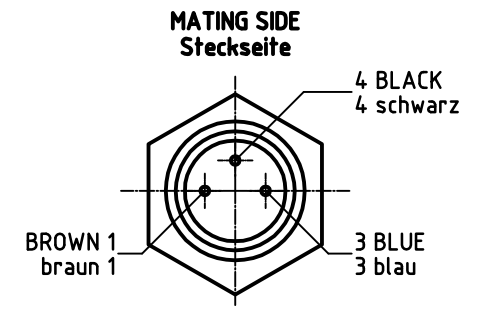
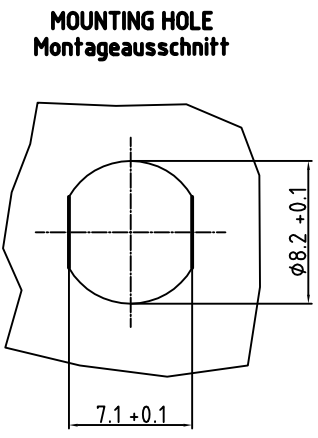


**Need more information on product environmental compliance?**

Email [productcompliance@molex.com](mailto:productcompliance@molex.com)  
 For a multiple part number RoHS Certificate of Compliance, [click here](#)

Please visit the [Contact Us](#) section for any non-product compliance questions.

**Search Parts in this Series**  
[120090Series](#)



**NOTES / Bemerkung:**

1	CRIMP CONTACT Crimp Kontakt	WN-00003
2	CABLE LENGTH TOLERANCE Kabellängentoleranz	WN-00004
3	POTTING Verguss	ES-120000-019
4	PACKAGING FOR RECEPTACLE Verpackung für Gerätestecker	PK-120000-018
5	PIN-ASSIGNMENT Pin-Belegung	IEC 61076-2-104
6	WINDING SPECIFICATION Wickelvorschrift	ES-120000-020

SAP-NUMBER SAP-Nummer	OLD MATERIAL-NO. alte Artikel-Nr.	LENGTH Länge	REPLACED Ersatz für
1200905069	4R3F06E02C200	0.2 M	0908 031GM 09000
1200905074	4R4F06E02C200	0.2 M	0908 041GM 09000
1200905075	4R4F06E02C500	0.5 M	0908 041GM 09003
1200905079	4R5F06E02C200	0.2 M	0908 051GM 09000

DESCRIPTION EC NO.: WEU2009-0457 DRWN: BBRAUCH CH'KD: --- APPR: JKOLB	6/24/09 2009/09/15	QUALITY SYMBOLS ▽ = 0 ▽/C = 0
---	-----------------------	--

GENERAL TOLERANCES (UNLESS SPECIFIED)	
	mm INCH
4 PLACES	±--- ±---
3 PLACES	±--- ±---
2 PLACES	±0.05 ±---
1 PLACE	±0.1 ±---
ANGULAR ± ---- °	
DRAFT WHERE APPLICABLE MUST REMAIN WITHIN DIMENSIONS	

DIMENSION STYLE	
MM	
DRAWN BY	DATE
BB	2009/06/24
CHECKED BY	DATE
JKO	2009/08/05
APPROVED BY	DATE
FP	2009/08/05
MATERIAL NO.	
see table	
SIZE	A3

SCALE	2:1	DESIGN UNITS	METRIC	FIRST ANGLE PROJECTION
<b>M8 MALE RECEPTACLES-XM M8 GERÄTESTECKER-PVC-XM</b>				
<b>MOLEX INCORPORATED</b>				
DOCUMENT NO.			SD-120090-003	SHEET NO. 1 OF 1
THIS DRAWING CONTAINS INFORMATION THAT IS PROPRIETARY TO MOLEX INCORPORATED AND SHOULD NOT BE USED WITHOUT WRITTEN PERMISSION				