

.025" SQ SOCKET STRIPS SSW & SSQ SERIES

Mates With:
TSW, MTSW, TLW, FHW,
MTLW, BST, LCW, EW,
ZW, TSS, ZSS, TSM,
CTSW, BHT, BHB

Specifications:
SSW, SSQ
HI-TEMP

Insulator Material:
Black Liquid Crystal
Polymer (-S & -D) or
Black High Temperature
Thermoplastic (-T)

Contact Material:
Phosphor Bronze

Current Rating:
3A continuous

Operating Temp Range:
-65°C to +125°C with Gold
-65°C to +105°C with Tin

Plating:
Au or Sn over
50µ" (1,27µm) Ni

Contact Resistance:
10 mΩ max

Insertion Depth:
.100" (2,54 mm) to
.250" (6,35 mm)

Insertion Force:
(-S plating)
Standard= 6 oz (1,67N) avg
(.025" (0,64mm) SQ pin);
SSW Low Insertion Force=
3 oz (0,83N) avg
SSQ Low Insertion Force=
3.3 oz (0,92N) avg

Withdrawal Force:
(-S plating)
Standard= 5 oz (1,39N) avg
(.025" (0,64mm) SQ pin);
SSW Low Insertion Force=
2.6 oz (0,72N) avg
SSQ Low Insertion Force=
2.9 oz (0,81N) avg

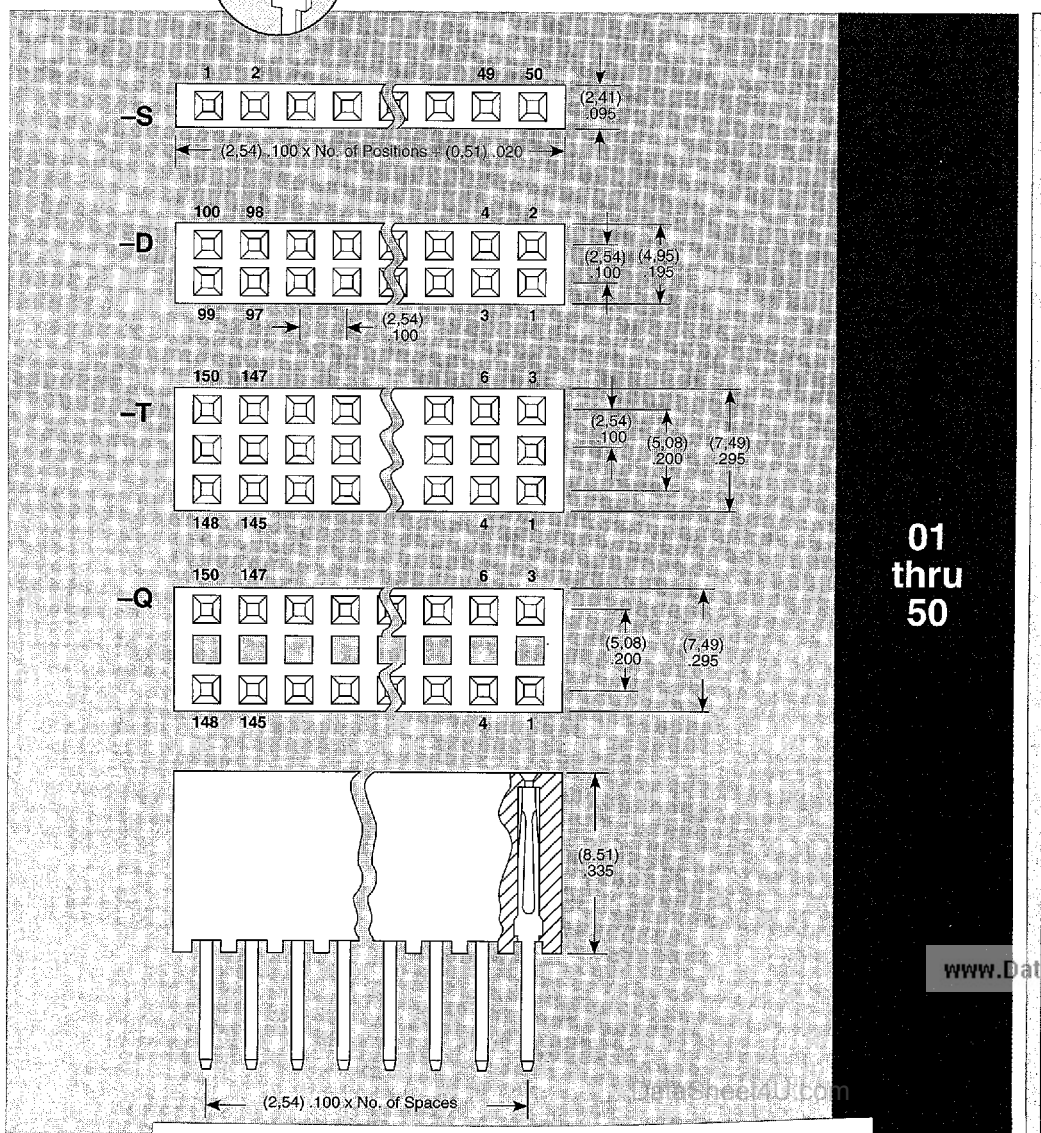
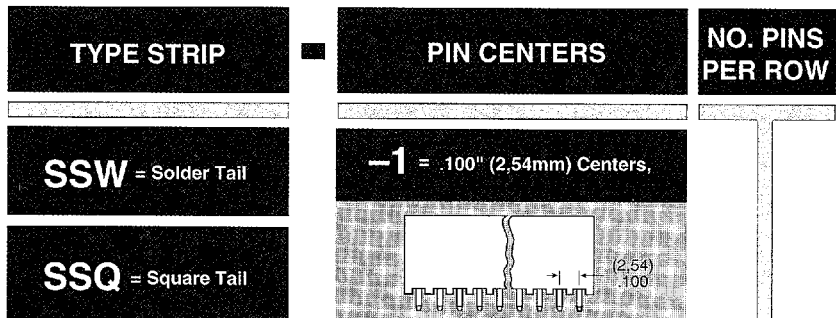
Impedance:
50Ω (system @ 50Ω)

Propagation Delay:
78.0pS @ 100pS

Cross Talk:
-18.3 dB G/S/S/G @ 1.0 GHz

Max Cycles:
100 with 10µ" (0,25µm) Au

*For Low Profile
sockets see our
CLH, CES & SLW
series!*



Note:
Some lengths, styles and
options are non-standard,
non-returnable.com

SSW-115-02-T-Q-RA

SSQ-130-02-S-S

SSW-130-02-G-D-RA

SSW-122-03-S-T

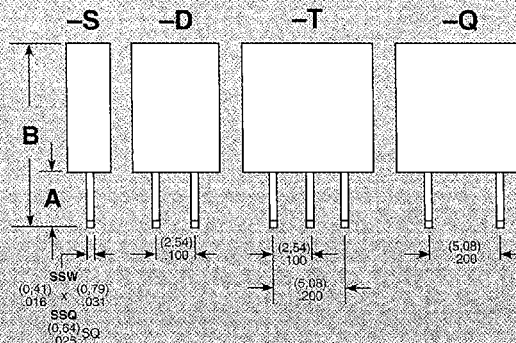
LEAD STYLE	PLATING OPTION	ROW OPTION	TAIL OPTION	OTHER OPTION
<p>-G = 20µ" (0,51µm) Gold on contact Gold flash on tail</p> <p>-T = 200µ" (5,08µm) Tin on contact and tail (Tin N/A on LIF contacts)</p> <p>-S = 30µ" (0,76µm) Gold on contact 200µ" (5,08µm) Tin tail</p>		<p>-S = Single Row</p> <p>-D = Double Row</p> <p>-T = Triple Row</p> <p>-Q = Double Row .200" (5,08mm) row space (Outer rows filled only)</p>	<p>-RA = Right Angle (Leave blank for straight pin version)</p> <p>-VS = Vertical Surface Mount</p>	<p>-"XXX" = Polarized (Specify "xxx" as position number)</p> <p>-LL = Locking Lead</p> <p>Two leads per strip crimped in opposite directions on or near centerline. Available on tails from (2,29) .090" to (7,87) .310 only. N/A with single row 1 or 2 positions.</p>

Surface Mount!

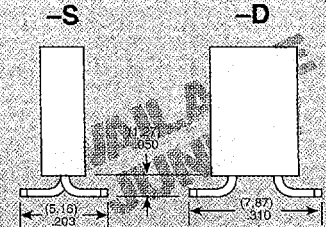
Straight Pin Versions (Specify "LEAD STYLE" from chart)

LEAD STYLE	SINGLE DOUBLE OR TRIPLE	SINGLE DOUBLE OR TRIPLE	
		A	B
-01	-21	(2,54) .100	(11,05) .435
-02	-22	(4,83) .190	(13,34) .525
-03	-23	(9,91) .390	(18,42) .725
-04	-24	(14,73) .580	(23,24) .915
-06**	N/A	(3,00) .118	(11,50) .453

* LIF N/A with Tin Plating
** Style -06 N/A with SSQ



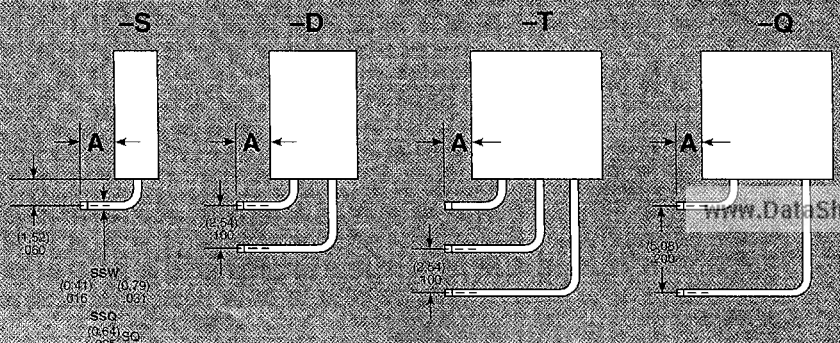
Surface Mount Versions (Requires SSW and "LEAD STYLE" -21 (-S & -D only))



Right Angle Versions (Specify "LEAD STYLE" from chart)

LEAD STYLE	SINGLE (-S & -P)	DOUBLE (-D)	TRIPLE (-T & -Q)	
				A
-02	-22	(2,54) .100	(2,54) .100	(2,54) .100
-03	-23	(7,62) .300	(7,62) .300	N/A
-04	-24	(12,45) .490	N/A	N/A

* LIF N/A with Tin Plating



st4U.com

DataSheet4U.com

DataSheet4U.com

www.DataSheet4U.com