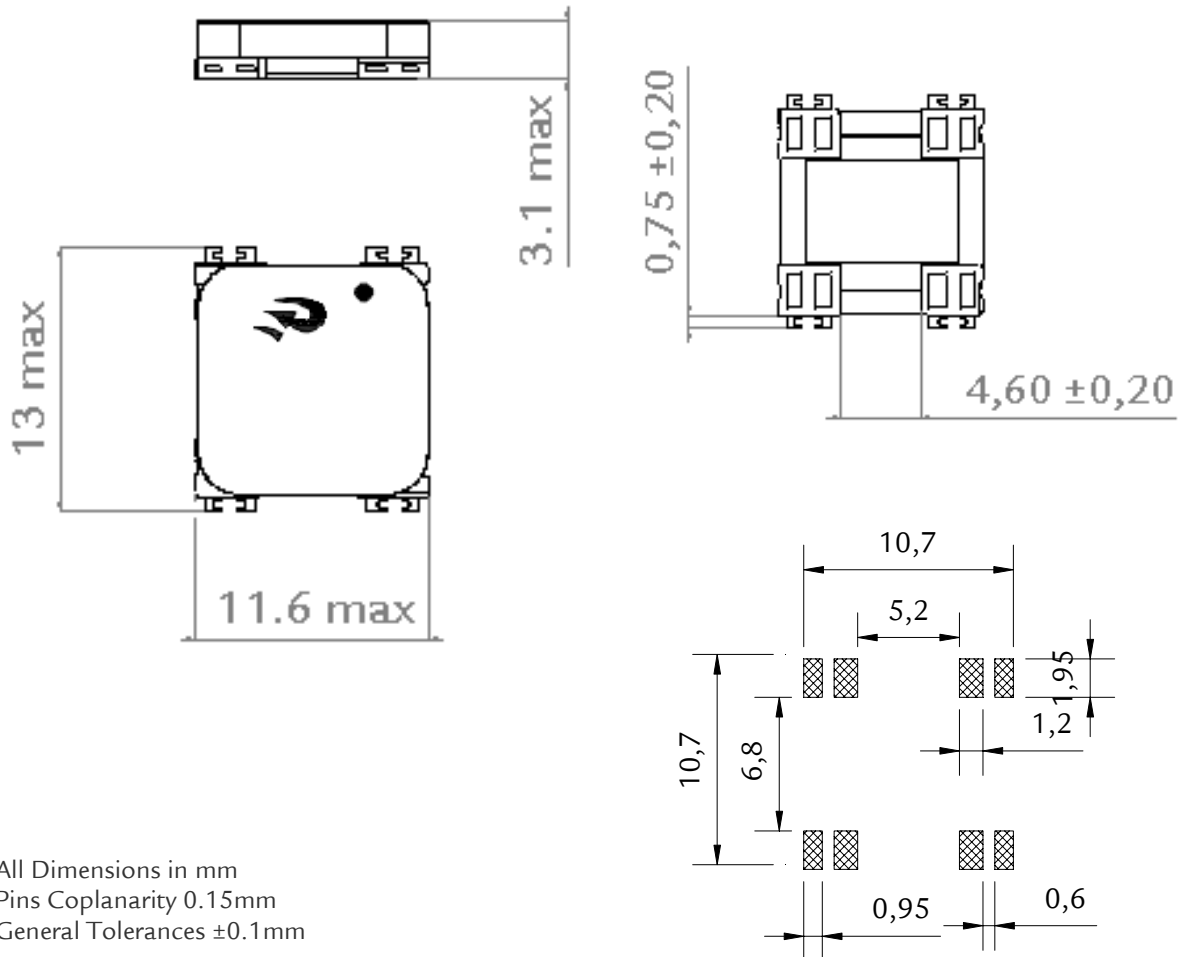
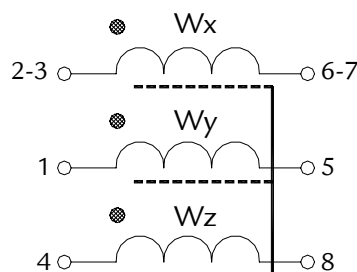


C/Severo Ochoa 33 - Parque Tecnológico de Andalucía. 29590 Campanillas. Málaga (Spain) Phone +34 951 231 320 Fax +34 951 231 321
E-mail: info@grupopremo.com Web <http://www.grupopremo.com>

1. Dimensions and Pad Layout



2. Schematic Diagram



Pins 2-3 and 6-7 interconnected

C/Severo Ochoa 33 - Parque Tecnológico de Andalucía. 29590 Campanillas. Málaga (Spain) **Phone** +34 951 231 320 Fax +34 951 231 321
E-mail: info@grupopremo.com Web <http://www.grupopremo.com>

3. Materials

Core: Ferrite Core
SMD Base: LCP
Leadframe: CuSn6 / Cu / Sn100
Wires: Enamelled and Selfbonding copper wire
Adhesive: Epoxy-based adhesives
Label: Acrylate



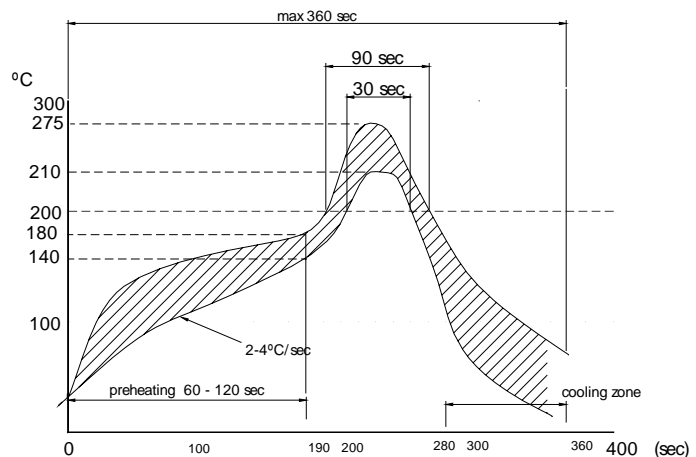
Remark : Products comply with RoHS requirements

4. General Specifications. Recommended Reflow Profile

Typical Operating Frequency 125KHz

Storage Temperature -40 °C → +85 °C

Operating Temperature -40 °C → +85 °C



Lead Free Reflow Profile

5. Electrical Characteristics

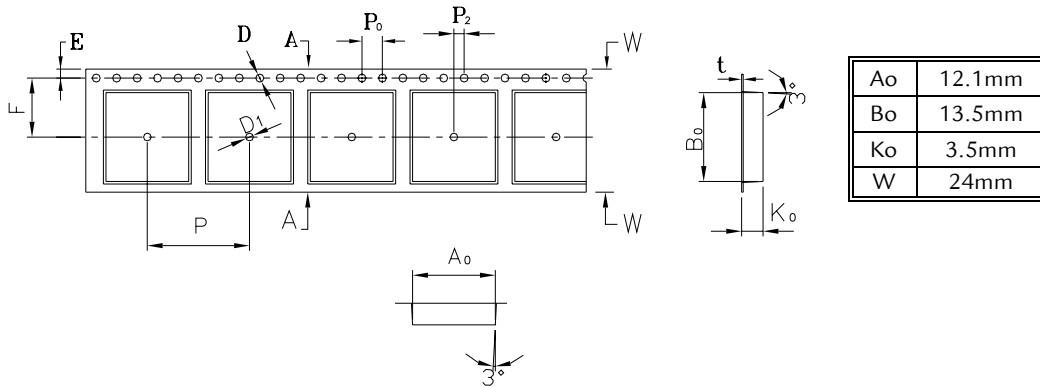
3DC1111LP

Code	Lx,y,z (mH)	Qx,y Min	Freq (KHz)	Cres (pF)	SRFx,y (KHz) Min	SRFz (KHz) Min	DCRx,y (Ohm) Max	DCRz (Ohm) Max	Sensitivity x,y,z (mV/App/m) Min	Length (mm)	Width (mm)	Height (mm)
3DC15-0238J	2.38	25	125	680	500	900	50	50	40	13	11.6	3.1
3DC15-0247J	2.47	25	125	656	500	800	50	50	50			
3DC15-0345J	3.45	29	125	470	400	800	60	70	55			
3DC15-0405J	4.05	30	125	400	400	600	67	67	60			
3DC15-0477J	4.77	30	125	340	370	600	70	96	65			
3DC15-0491J	4.91	32	125	330	350	600	74	98	65			
3DC15-0720J	7.20	25	125	225	330	500	84	120	72			

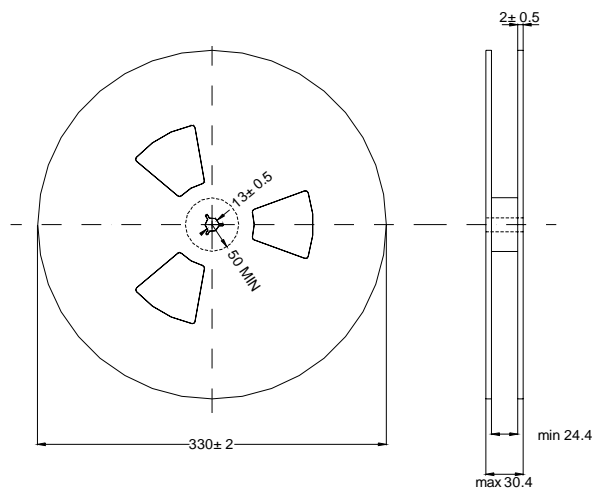
C/Severo Ochoa 33 - Parque Tecnológico de Andalucía. 29590 Campanillas. Málaga (Spain) **Phone** +34 951 231 320 **Fax** +34 951 231 321
E-mail: info@grupopremo.com Web <http://www.grupopremo.com>

7. Packaging Information

TAPING SPECIFICATION (According to EIA481)



REEL



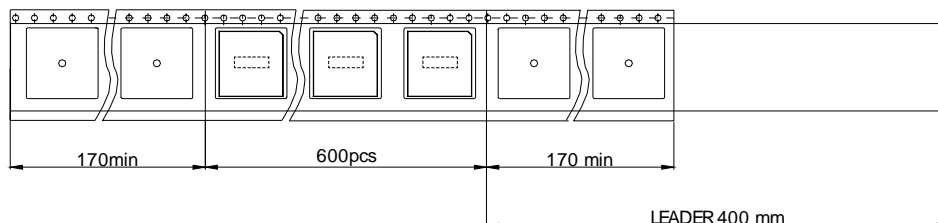
PARTS PER REEL

330 mmΦ
600

MATERIAL LIST

ITEM	MATERIAL
Reel	Shock-Proof Polystyrol
Carrier tape	PC brown colour 0.3 mm
Cover tape	Polyester

TAPING



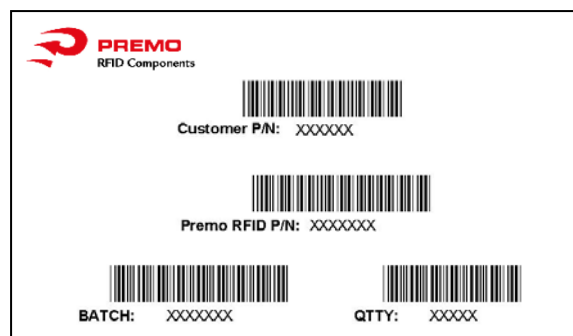
C/Severo Ochoa 33 - Parque Tecnológico de Andalucía. 29590 Campanillas. Málaga (Spain) **Phone** +34 951 231 320 **Fax** +34 951 231 321
E-mail: info@grupopremo.com Web <http://www.grupopremo.com>

8. Labelling

PART LABELLING



PACKAGE LABELLING



9. Reliability Tests

This part is according to AEC-Q200 Revision C.

Edition	Revision Date
1	18/03/09
2	19/05/09