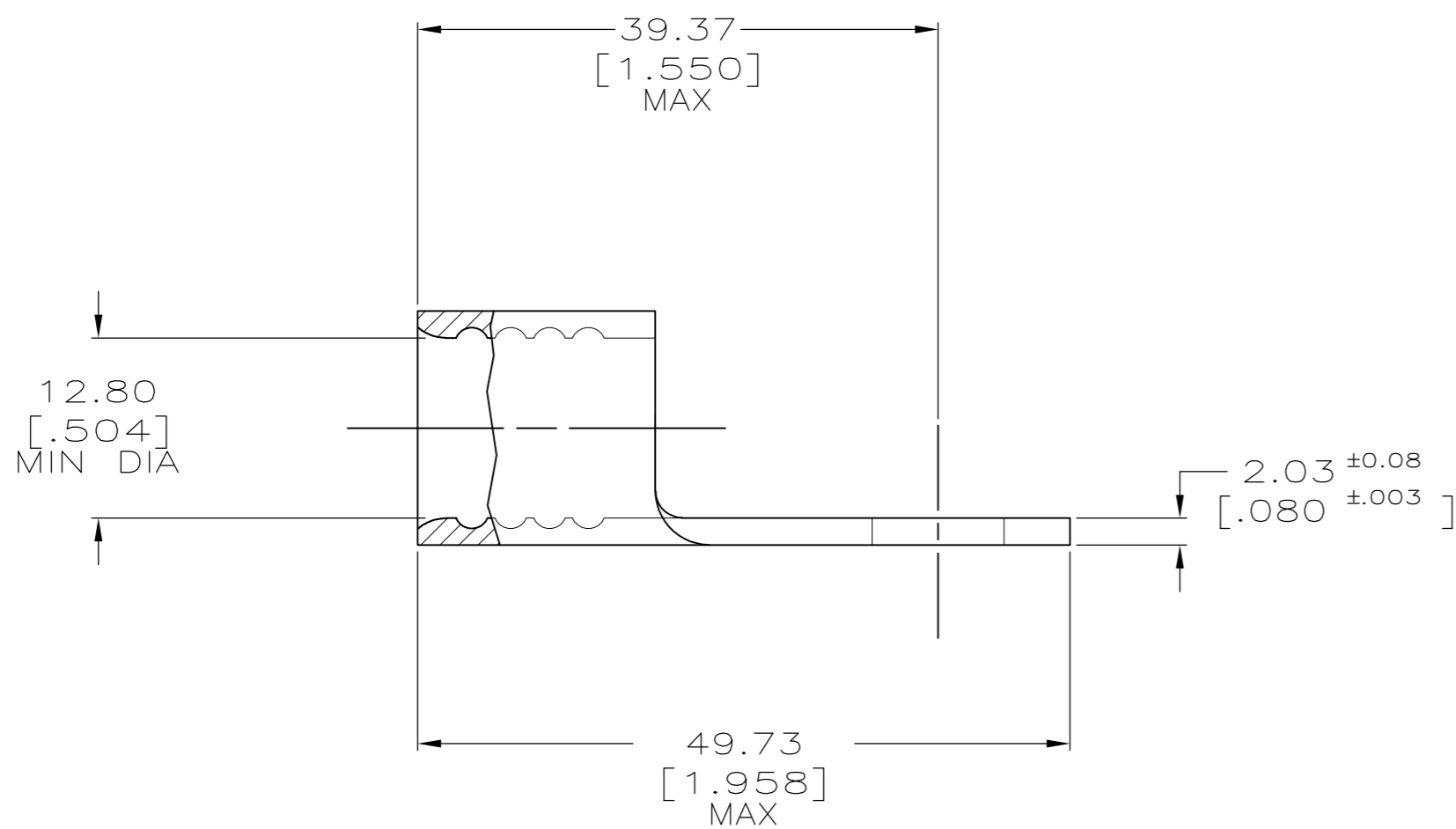
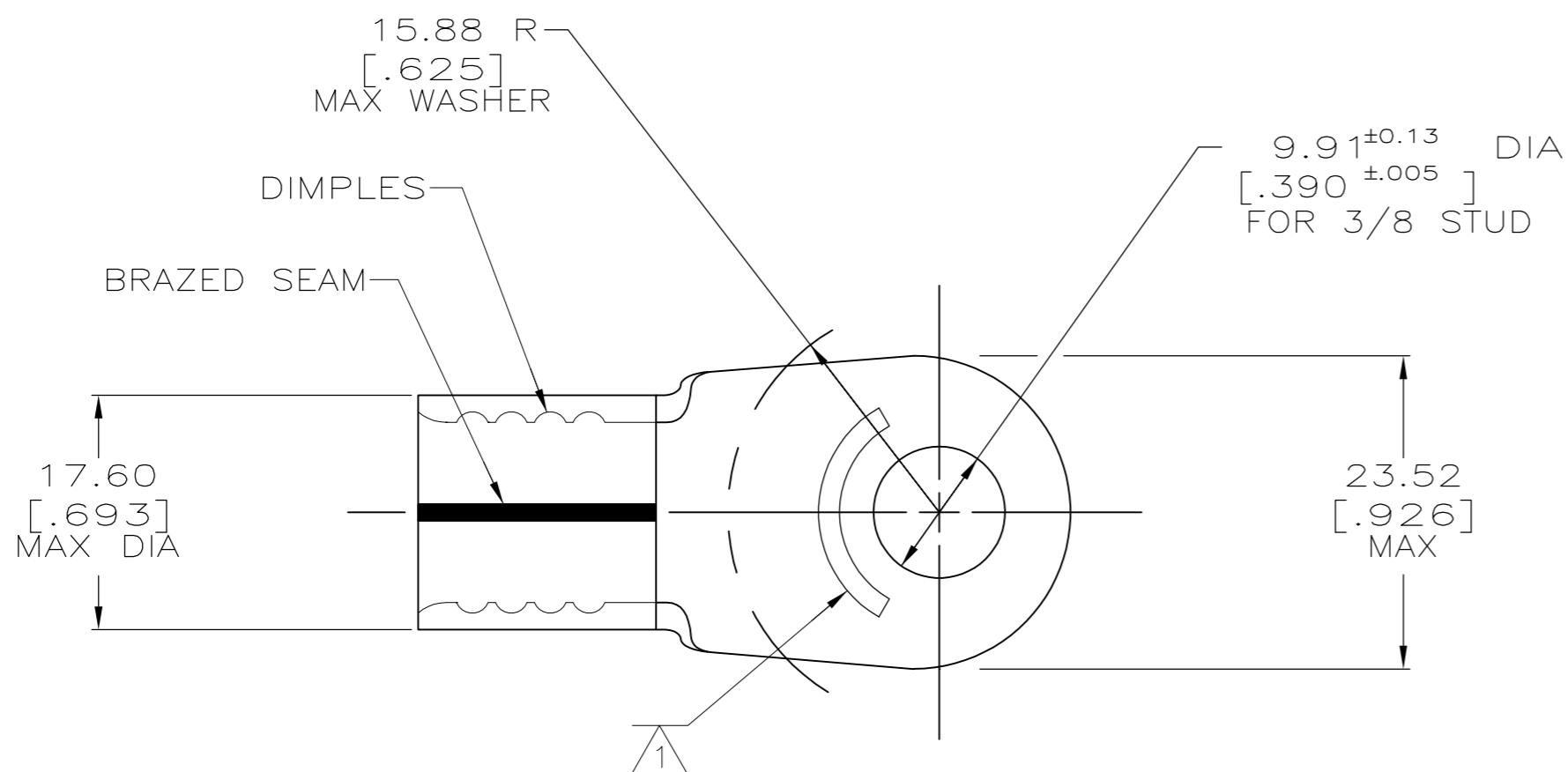


THIS DRAWING IS UNPUBLISHED. RELEASED FOR PUBLICATION  
 © COPYRIGHT BY TYCO ELECTRONICS CORPORATION. ALL RIGHTS RESERVED.

LOC	DIST	REVISIONS			
P	LTR	DESCRIPTION	DATE	DWN	APVD
G	14				
		REV PER ECR 10-000722	22JAN10	JR	TM



<b>AMP</b> WIRE RANGE	E13288 Listed
2/0 AWG SOLID OR STRANDED	2/0 AWG STRANDED
LR7189 Certified	MILITARY P/N AND CLASS
2/0 AWG SOLID OR STRANDED	MS 20659-120 CLASS 2

- ① STAMP AMP 2/0W\* APPROX AS SHOWN
- ② TIN PL 0.00254[.000100] MIN EXT THK PER ASTM B-545
- ③ BRIGHT TIN LEAD PL 0.00254[.000100] MIN THK PER ASTM B-545
- ④ NICKEL PLATE 0.00762 [.000300] MIN EXT. THK PER QQ-N-290

50	LOOSE PIECE	③	2-321871-2
50	LOOSE PIECE	④	321871-2
50	LOOSE PIECE	②	321871
QTY	PACKAGE TYPE	FINISH	PART NUMBER

<b>AMP INCORPORATED CUSTOMER SERVICE SYSTEMS</b>		MAX RECOMMENDED OPERATING TEMPERATURE: 170° C MAX
FOR ADDITIONAL PRODUCT INFORMATION OR COPIES OF DRAWINGS AND TECHNICAL DOCUMENTS	PRODUCT INFORMATION CENTER 1-800-522-6752	VOLTAGE RATING: NOT APPLICABLE
FOR APPLICATION TOOLING INFORMATION	TOOLING ASSISTANCE CENTER 1-800-722-1111	WIRE CROSS SECTIONAL AREA RANGE: 60.6-76.3mm <sup>2</sup> [119,500-150,500] CIR MILS SOLID OR STRANDED
FOR ORDER ENTRY	1-800-526-5142	THIS DRAWING IS A CONTROLLED DOCUMENT FOR AMP INCORPORATED. IT IS SUBJECT TO CHANGE AND THE CONTROLLING ENGINEERING ORGANIZATION SHOULD BE CONTACTED FOR THE LATEST REVISION.

THIS DRAWING IS A CONTROLLED DOCUMENT.		DWN DK SCHRUM 1/14/94	Tyco Electronics Corporation Harrisburg, PA 17105-3608	
DIMENSIONS: MM [ INCHES ]		CHK AJ KAUFMAN 1/19/94	NAME JL MECKLEY 1/19/94	
TOLERANCES UNLESS OTHERWISE SPECIFIED:		APVD JL MECKLEY 1/19/94	PRODUCT SPEC —	
0 PLC ± -		APPLICATION SPEC —		
1 PLC ± -		WEIGHT —		
2 PLC ± 0.20[.008]		SIZE A2		
3 PLC ± -		CAGE CODE 00779		
4 PLC ± -		DRAWING NO C-321871		
ANGLES ± -		RESTRICTED TO —		
MATERIAL COPPER PER ASTM B-152 ANNEALED	FINISH SEE TABLE	CUSTOMER DRAWING		
		SCALE 2:1	SHEET 1 of 1	REV G