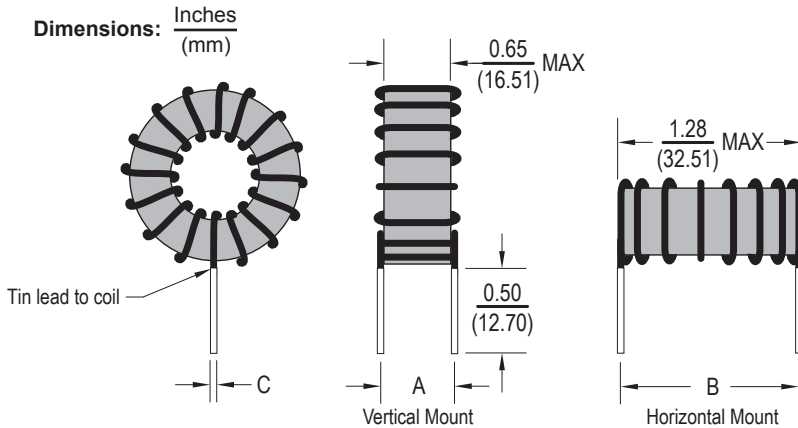
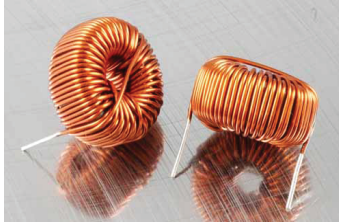




Toroidal Chokes Low Loss TC230LL



| Allied Part Number | Inductance (μh) @ 1KHZ | Tolerance (%) | L(μH) @ | IDC (A) | DCR (Ω) MAX | DIM A (Nom) | DIM B (Nom) | DIM C (Nom) |
|--------------------|------------------------|---------------|---------|---------|-------------|-------------|-------------|-------------|
| ()TC230LL-1R5M-RC | 1.5 | 20 | 1.1 | 34.0 | .001 | .59 | 1.21 | .066 |
| ()TC230LL-2R7M-RC | 2.7 | 20 | 1.9 | 29.4 | .002 | .59 | 1.21 | .066 |
| ()TC230LL-3R9M-RC | 3.9 | 20 | 2.6 | 26.3 | .002 | .59 | 1.21 | .066 |
| ()TC230LL-5R6M-RC | 5.6 | 20 | 3.5 | 24.0 | .003 | .59 | 1.21 | .066 |
| ()TC230LL-8R2M-RC | 8.2 | 20 | 4.9 | 22.3 | .003 | .59 | 1.21 | .066 |
| ()TC230LL-100L-RC | 10 | 15 | 5.8 | 20.8 | .004 | .59 | 1.21 | .066 |
| ()TC230LL-120L-RC | 12 | 15 | 6.7 | 19.6 | .004 | .59 | 1.21 | .066 |
| ()TC230LL-150L-RC | 15 | 15 | 8.0 | 18.6 | .005 | .59 | 1.21 | .066 |
| ()TC230LL-180L-RC | 18 | 15 | 9.0 | 18.5 | .005 | .59 | 1.21 | .066 |
| ()TC230LL-220L-RC | 22 | 15 | 10.6 | 17.7 | .005 | .59 | 1.21 | .066 |
| ()TC230LL-270L-RC | 27 | 15 | 12.6 | 17.0 | .006 | .59 | 1.21 | .066 |
| ()TC230LL-330L-RC | 33 | 15 | 17.9 | 13.0 | .010 | .56 | 1.18 | .053 |
| ()TC230LL-390L-RC | 39 | 15 | 20.1 | 12.2 | .011 | .56 | 1.18 | .053 |
| ()TC230LL-470L-RC | 47 | 15 | 23.7 | 11.8 | .012 | .56 | 1.18 | .053 |
| ()TC230LL-560L-RC | 56 | 15 | 31.9 | 8.9 | .020 | .54 | 1.16 | .042 |
| ()TC230LL-680L-RC | 68 | 15 | 37.4 | 8.5 | .023 | .54 | 1.16 | .042 |
| ()TC230LL-820L-RC | 82 | 15 | 43.7 | 8.1 | .025 | .54 | 1.16 | .042 |
| ()TC230LL-101L-RC | 100 | 15 | 51.7 | 7.8 | .027 | .54 | 1.16 | .042 |
| ()TC230LL-121L-RC | 120 | 15 | 59.3 | 7.4 | .030 | .54 | 1.16 | .042 |
| ()TC230LL-151L-RC | 150 | 15 | 71.1 | 7.0 | .033 | .54 | 1.16 | .042 |
| ()TC230LL-181L-RC | 180 | 15 | 82.1 | 6.7 | .037 | .54 | 1.16 | .042 |
| ()TC230LL-221L-RC | 220 | 15 | 116.6 | 5.1 | .063 | .52 | 1.14 | .034 |
| ()TC230LL-271L-RC | 271 | 15 | 137.7 | 4.8 | .070 | .52 | 1.14 | .034 |
| ()TC230LL-331L-RC | 330 | 15 | 160.8 | 4.6 | .079 | .52 | 1.14 | .034 |
| ()TC230LL-391L-RC | 390 | 15 | 183.6 | 4.4 | .085 | .52 | 1.14 | .034 |
| ()TC230LL-471L-RC | 470 | 15 | 212.5 | 4.2 | .094 | .52 | 1.14 | .034 |
| ()TC230LL-561L-RC | 560 | 15 | 243.6 | 4.0 | .103 | .52 | 1.14 | .034 |
| ()TC230LL-681L-RC | 680 | 15 | 283.0 | 3.8 | .113 | .52 | 1.14 | .034 |
| ()TC230LL-821L-RC | 820 | 15 | 327.4 | 3.6 | .123 | .52 | 1.14 | .034 |
| ()TC230LL-102L-RC | 1000 | 15 | 378.9 | 3.5 | .137 | .52 | 1.14 | .034 |

Please specify Vertical or Horizontal Mount by placing a V or H at the beginning of the part number, i.e. VTC230LL-1R0M (Vertical Mount). All specifications subject to change without notice.

Features

- Low Magnetic Radiation
- Low Core Loss
- High current capacity up to 34A
- Expanded operating temp range
- Low DC Resistance
- Available in Horizontal or Vertical configuration
- Optional Tape Cover

Electrical

Inductance Range: 1.5μh to 1000μh
Additional values available

Tolerance: 20% from 1.5μh to 8.2μh,
15% from 10μh to 1000μh

Test Frequency: 1KHz

Operating Temp: -55°C ~ +125°C

Storage Temp: -55°C ~ +125°C

Temp Rise: ΔT=30°C Typical at rated IDC
Part temperature should not exceed 125°C
including temperature rise.

Test Equipment

(L): 100 LCR meter or equivalent

DCR: Chen Hwa 502

Physical

Packaging: Bulk

Marking: None