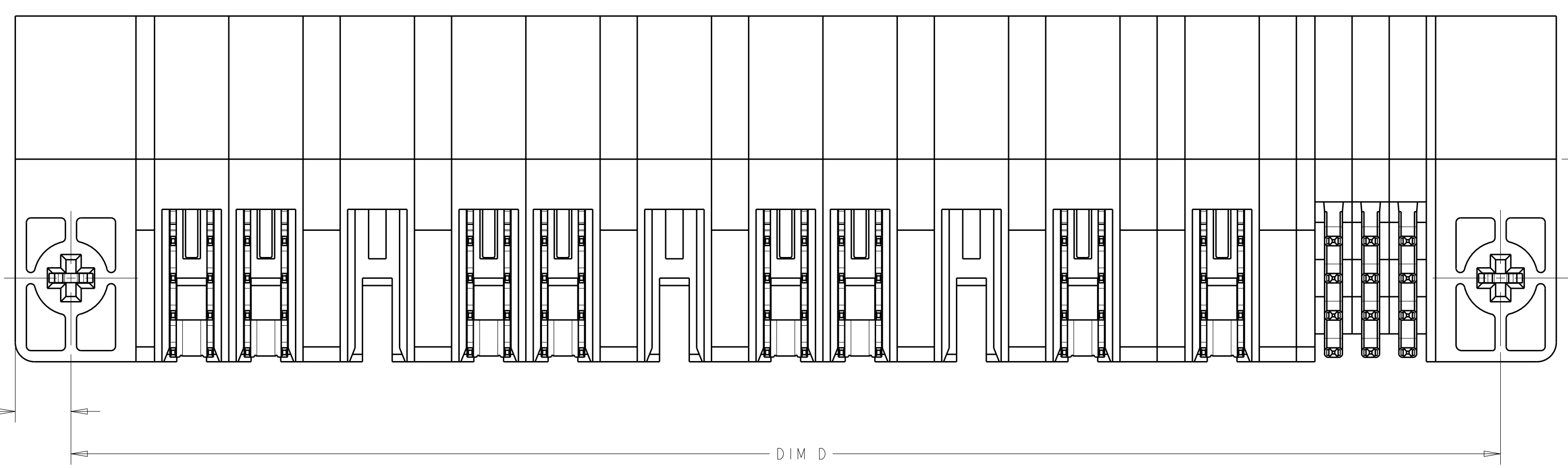
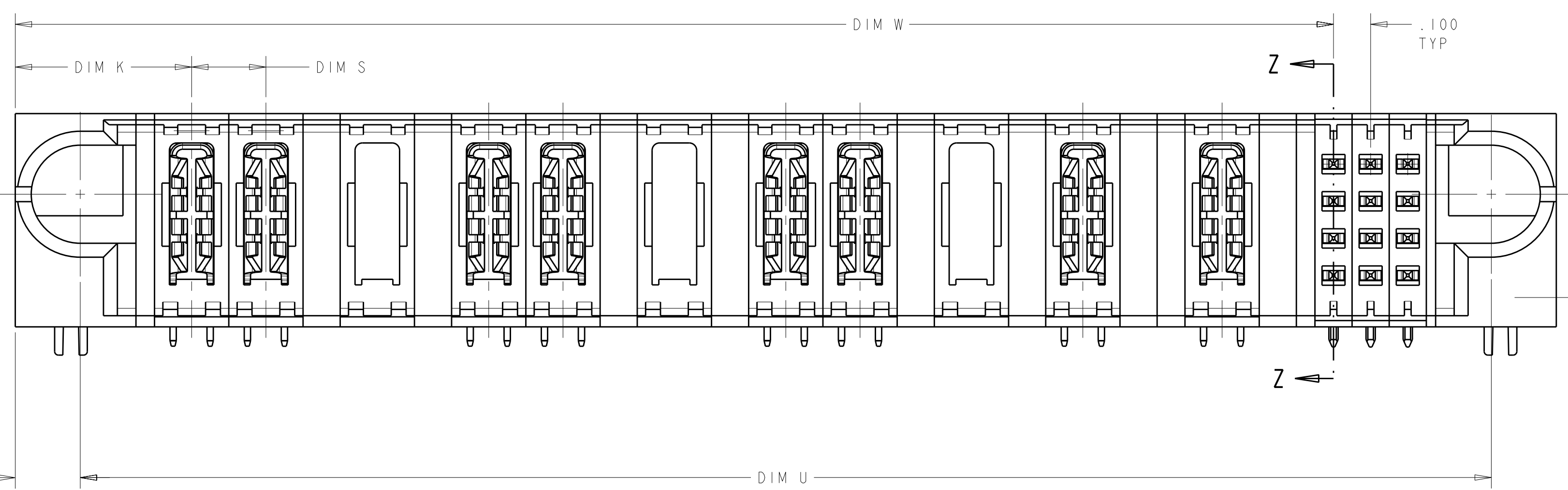
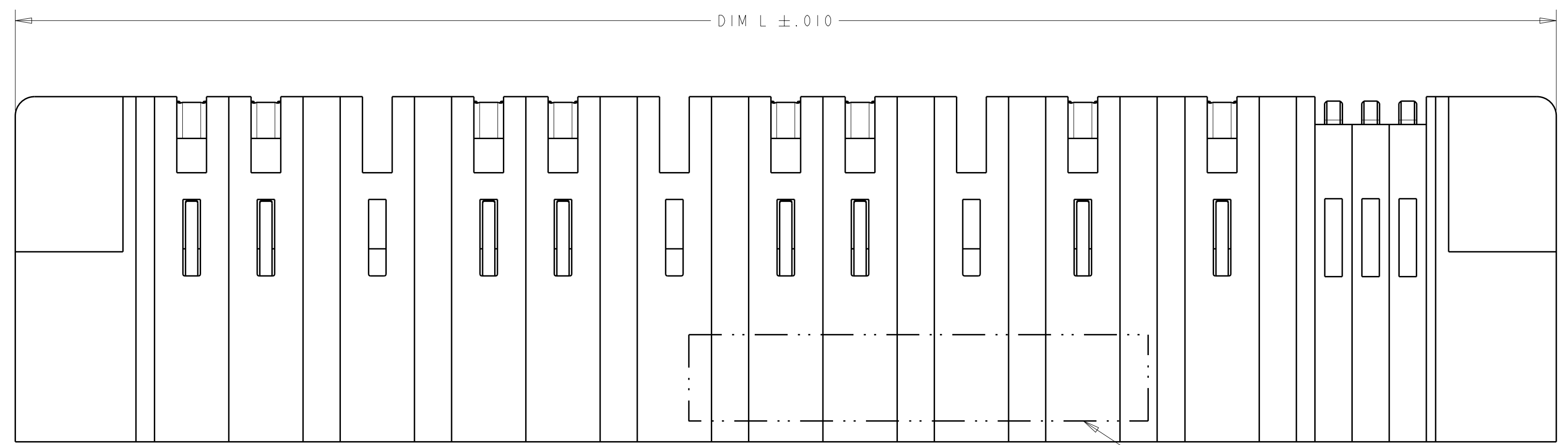
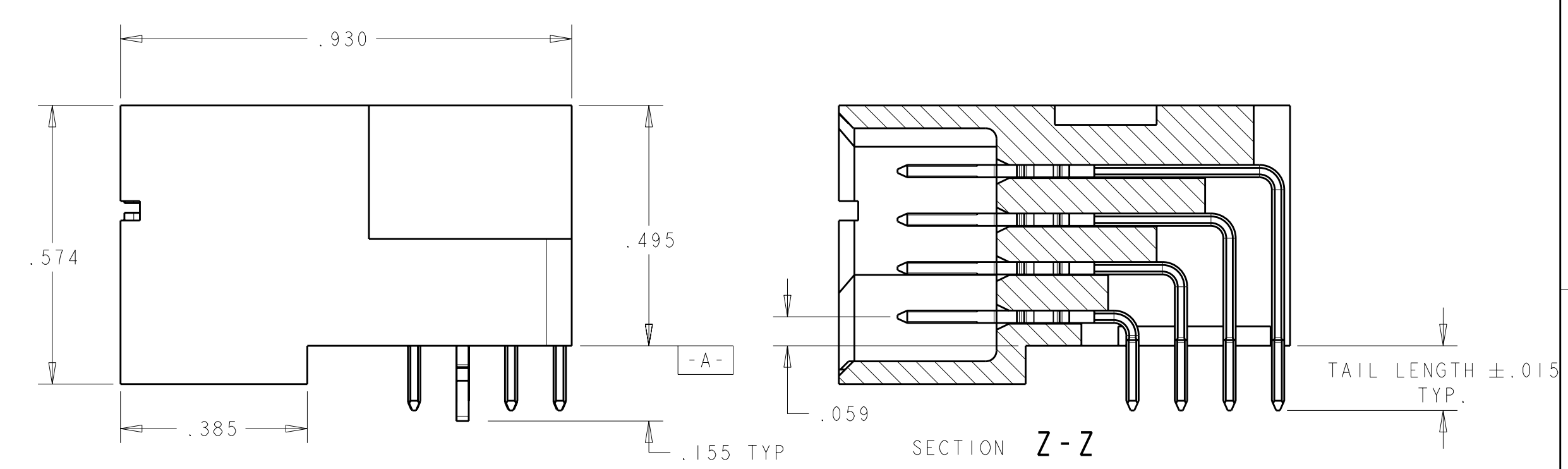


LOC	DIST	REV	DATE	BY	APPD
GP	00				
E		REV PER ECR-08-025697	13OCT2008	TY	SY
E1		ADD NEW DASH NUMBER -26	14PR2009	OL	SY
E2		ADD HOLD DOWNS FOR -26	07APR2009	OL	SY
E3		REV PER ECR-09-008079	08APR2009	OL	SY



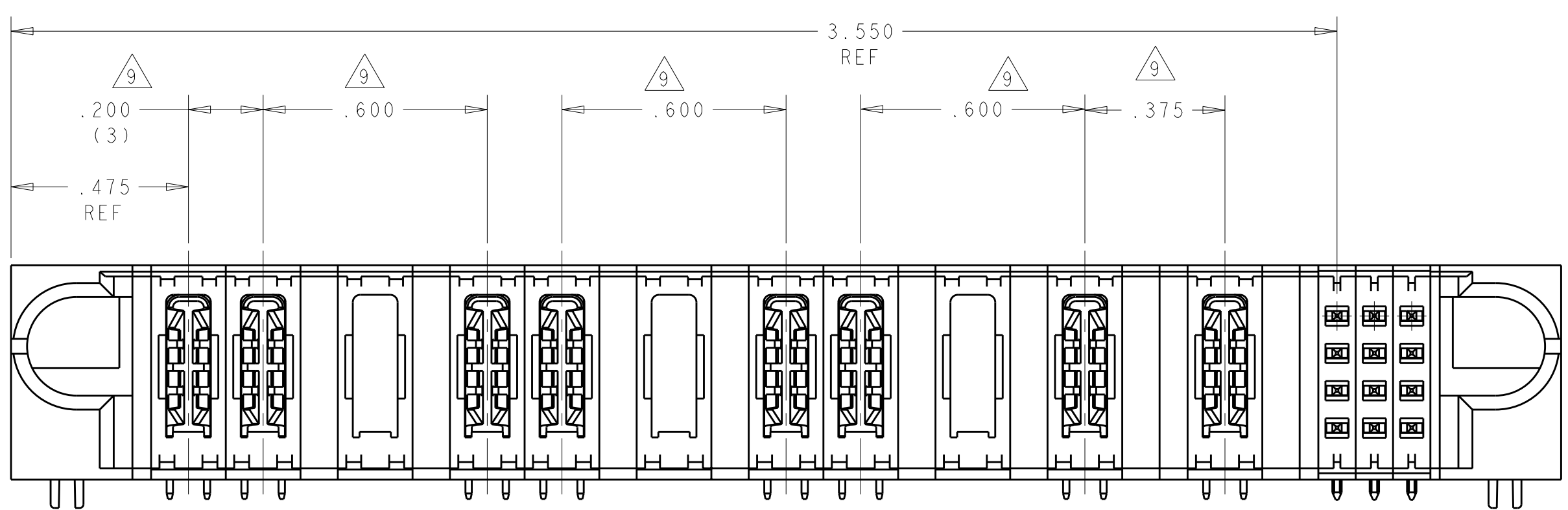
- 1 "AMP" TRADEMARK, PART NUMBER, AND DATE CODE TO BE MARKED IN AREA SHOWN
- 2 MATERIAL:
HOUSING - GLASS FILLED HIGH TEMP THERMO PLASTIC, UL94 V-0
SIGNAL CONTACT - COPPER ALLOY
POWER CONTACT - HIGH CONDUCTIVITY COPPER ALLOY
- 3 CONTACT PLATING:
SIGNAL CONTACTS - .000050 MIN Ni UNDER ALL, .000030 MIN. Au ON CONTACT AREA, .000100 MIN Sn AT PCB INTERFACE.
POWER CONTACTS - .000050 MIN Ni UNDER ALL, .000030 MIN. Au AT CONTACT AREA, .000100 MIN Sn AT PCB INTERFACE.
- 4 MECHANICAL CONNECTOR KEEP OUT ZONE.
- 5 DATUM AND BASIC DIMENSIONS ESTABLISHED BY CUSTOMER.
- 6 PCB - ALL HOLES DIAMETERS ARE FINISHED HOLE SIZES.
- 7 PCB - .0453±.0010 DRILLED HOLES PLATED WITH .0003 MIN. Sn OVER .001 TO .003 CU PLATING TO ACHIEVE A .040±.003 DIA HOLE.
- 8 NOT RELEASED FOR PRODUCTION
- 9 VARIABLE DIMENSIONS SHOWN ON VIEW (SHEET 2)



4.425	.200	2.200	4.475	.450	4.775	9P + 92S	2-6450122-6
2.900	.250	2.375	2.950	.450	3.250	8P + 24S	2-6450122-5
2.700	.250	.875	2.750	.450	3.050	2P + 76S	2-6450122-4
2.300	.250	1.875	2.350	.450	2.650	6P + 20S	2-6450122-3
3.200	.250	2.875	3.250	.450	3.550	10P + 16S	2-6450122-2
1.650	.200	1.225	1.700	.450	2.000	4P + 20S	2-6450122-1
2.950	.200	2.425	3.000	.450	3.300	10P + 24S	2-6450122-0
1.800	.250	1.375	1.850	.450	2.150	4P + 20S	1-6450122-9
2.250	.250	1.975	2.300	.475	2.600	6P + 12S	1-6450122-7
1.000	.250	.875	1.050	.450	1.350	2P + 8S	1-6450122-6
1.850	.300	1.325	1.900	.475	2.200	3ACP + 24S	1-6450122-2
5.900	.250	5.375	5.950	.450	6.250	20P + 24S	1-6450122-1
1.400	.250	.875	1.450	.450	1.750	2P + 24S	1-6450122-0
3.050	.250	2.125	3.100	.450	3.400	7P + 40S	6450122-8
4.425	.250	3.875	4.475	.450	4.775	14P + 24S	6450122-6
3.800	9	3.550	3.850	.475	4.150	11P + 12S	6450122-3
4.600	.250	3.875	4.650	.450	4.950	14P + 32S	6450122-2
3.800	9	3.550	3.850	.475	4.150	11P + 12S	6450122-1
DIM U	DIM S	DIM W	DIM D	DIM K	DIM L	DESCRIPTION	PART NUMBER

DIMENSIONS: INCHES 		TOLERANCES UNLESS OTHERWISE SPECIFIED: 9 PLC ±.01 5 PLC ±.005 4 PLC ±.0020 ANGLES #2		DWN: R. GRZYBOWSKI CHK: M. PERCHERKE APVD: M. PERCHERKE NAME: M. PERCHERKE PRODUCT SPEC: 108-1973 APPLICATION SPEC: 114-13038 WEIGHT: - FINISH: -		02FEB05 02FEB05 Tyco Electronics Corporation Harrisburg, PA 17105-3608 RIGHT ANGLE HEADER ASSY W/GUIDES MULTI-BEAM XL SIZE: A1 CAGE CODE: 00779 DRAWING NO: C=6450122 RESTRICTED TO: - SCALE: 1:1 SHEET: 1 OF 7 REV: E3	
MATERIAL: 2				CUSTOMER DRAWING			

LOC	DIST	REV	DATE	BY	APPD
GP	00				



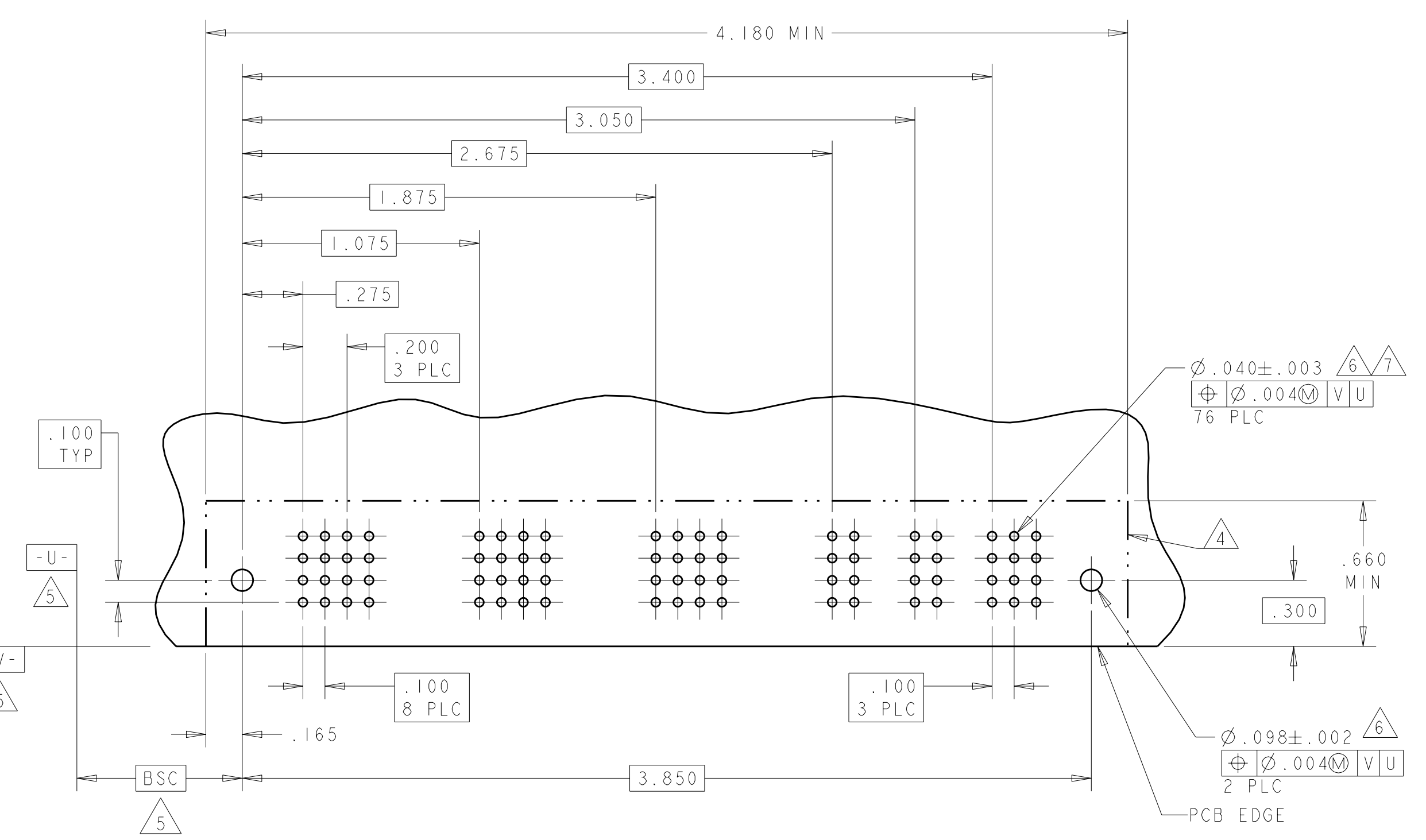
SCALE 3:1

PART NUMBER	ROWS	POWER										SIGNAL			
		P1	P2	P3	P4	P5	P6	P7	P8	P9	P10	P11	1	2	3
6450122-1	D C B A	PM	PM		PM	PM		PM	PM		PM	PM	J	J	J
													K	K	K
													N	N	N
													S	S	S

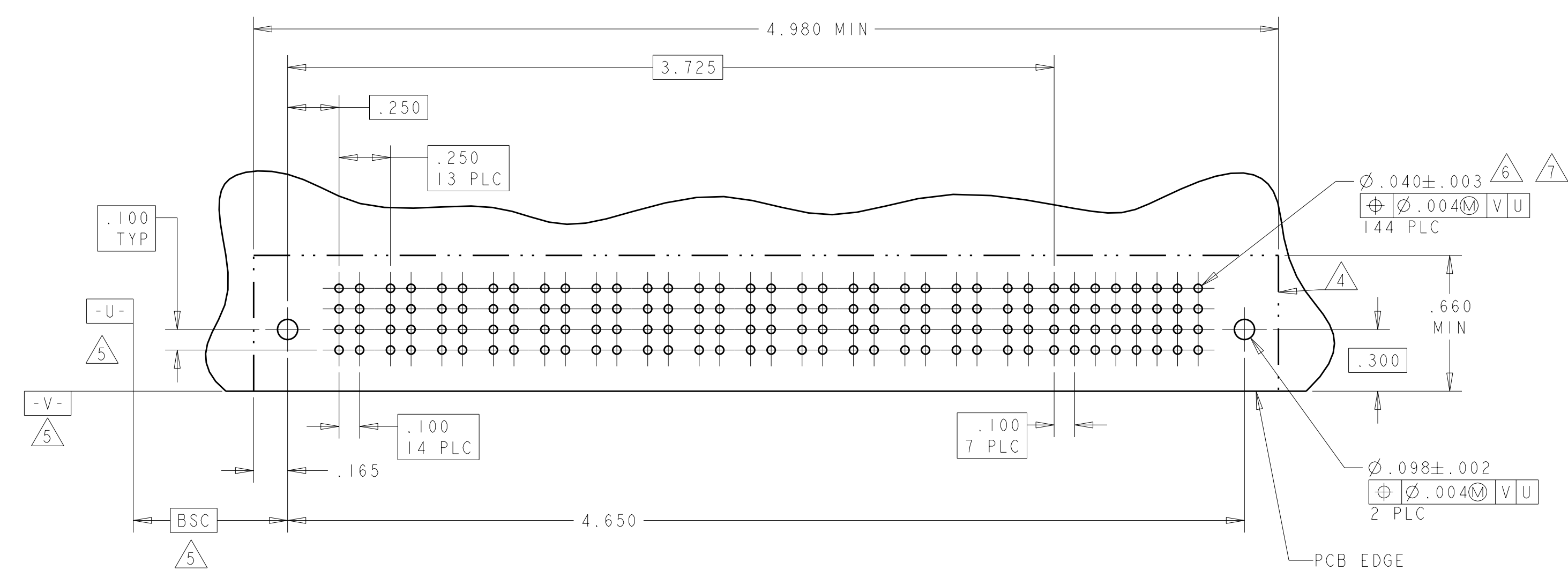
NO CONTACT LOADED

PART NUMBER	ROWS	POWER										SIGNAL			
		P1	P2	P3	P4	P5	P6	P7	P8	P9	P10	P11	1	2	3
6450122-3	D C B A	PM			PM			PM			PM	PM	J	J	J
													K	K	K
													N	N	N
													S	S	S

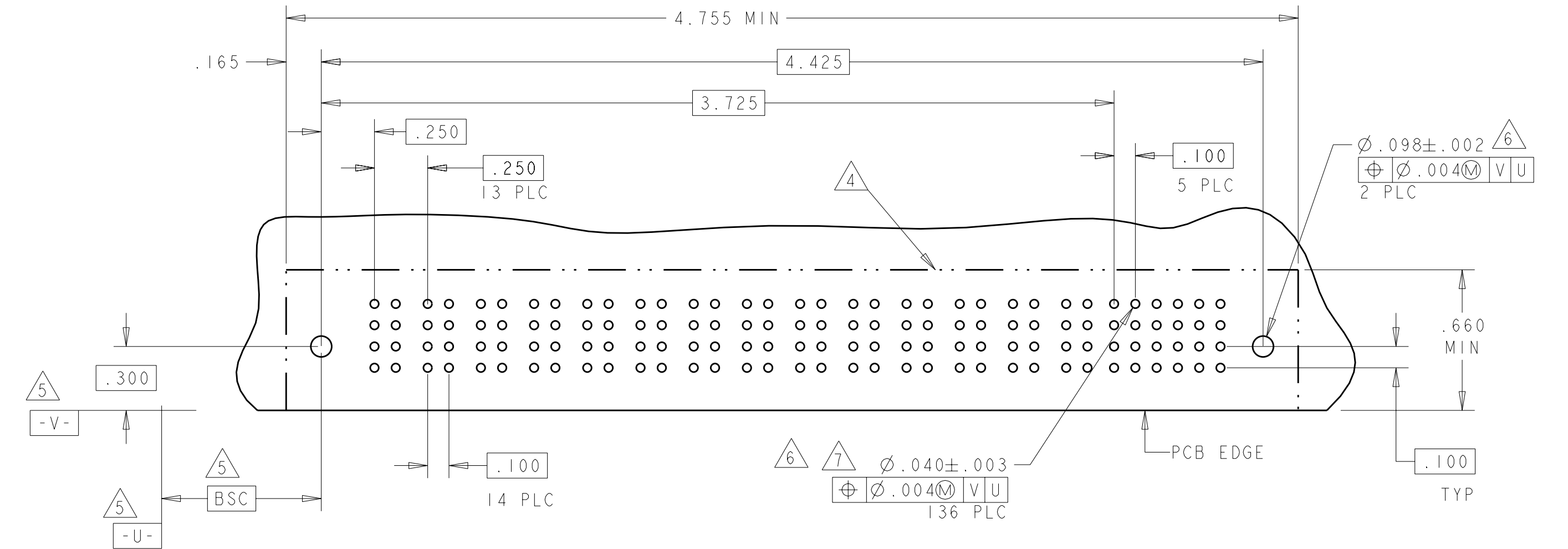
NO CONTACT LOADED



PART NUMBER	ROWS	POWER														SIGNAL							
		P1	P2	P3	P4	P5	P6	P7	P8	P9	P10	P11	P12	P13	P14	1	2	3	4	5	6	7	8
6450122-2	D C B A	PM	PM	PM	PM	PM	PM	PM	PM	PM	PM	PM	PM	PM	PM	J	J	J	J	J	J	J	J
															K	K	K	K	K	K	K	K	
															N	N	N	N	N	N	N	N	
															S	S	S	S	S	S	S	S	



PART NUMBER	ROWS	POWER														SIGNAL					
		P1	P2	P3	P4	P5	P6	P7	P8	P9	P10	P11	P12	P13	P14	1	2	3	4	5	6
6450122-6	D C B A	PM	PM	PM	PM	PM	PM	PM	PM	PM	PM	PM	PM	PM	PM	J	J	J	J	J	J
															K	K	K	K	K	K	
															N	N	N	N	N	N	
															S	S	S	S	S	S	



CODE	MATING SEQUENCE	TAIL LENGTH	ROW
Z	STD	.090	D
Y	STD	.090	C
R	STD	.090	B
O	STD	.090	A
H	MLBF	.135	A
J	STD	.135	D
K	STD	.135	C
N	STD	.135	B
S	STD	.135	A

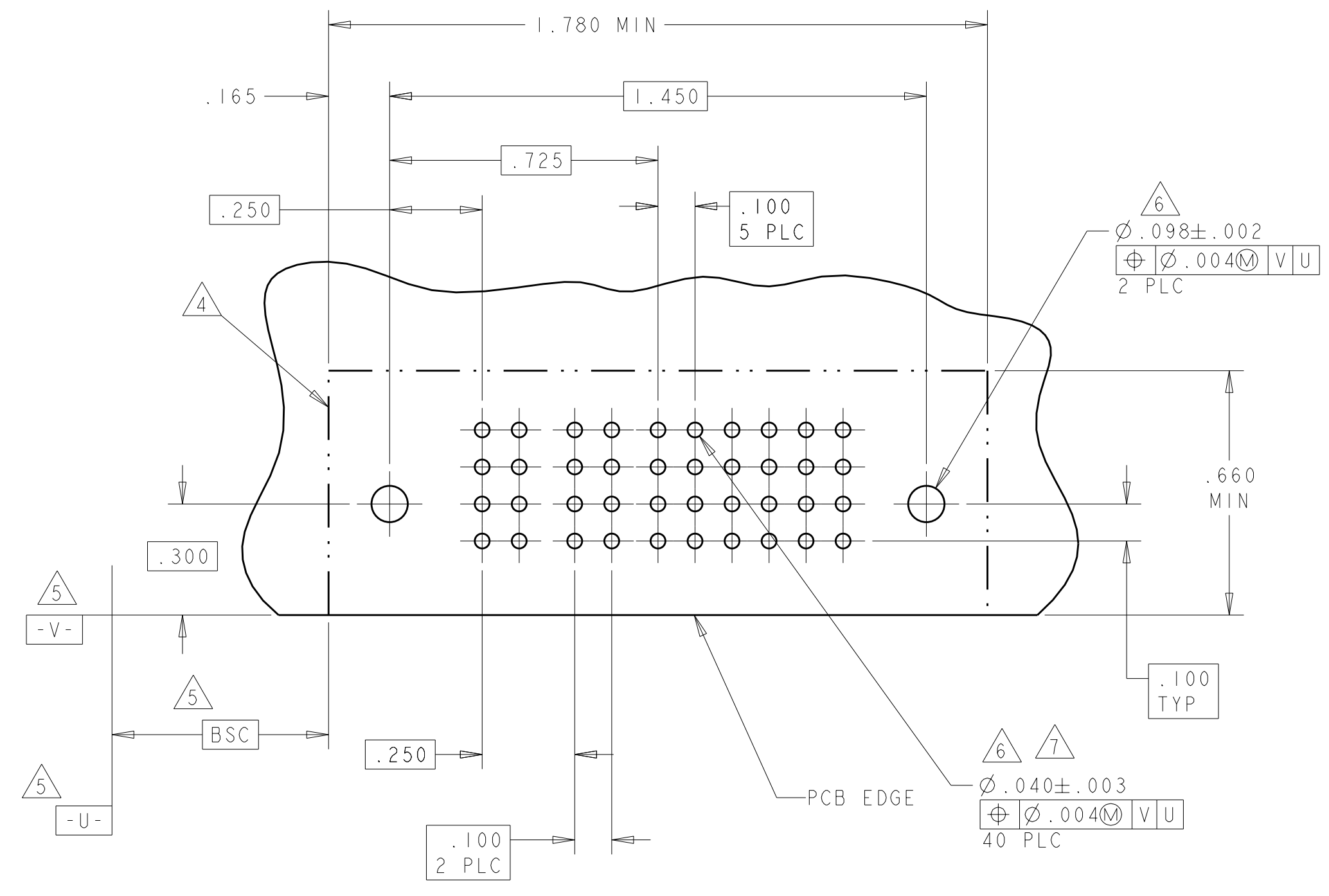
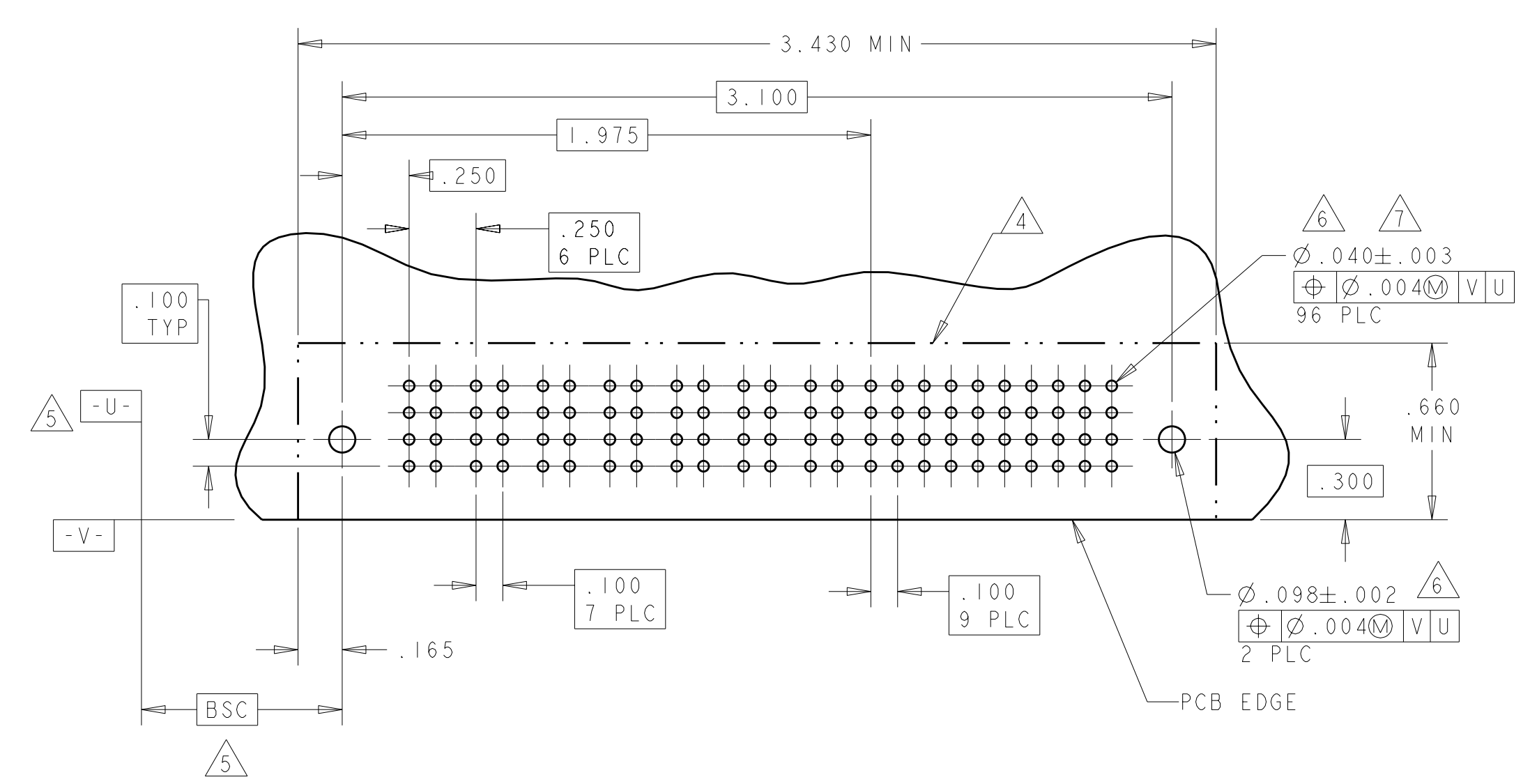
PA	.090
PM	.135
CODE	TAIL LENGTH
POWER CONTACT	

DIMENSIONS: INCHES TOLERANCES UNLESS OTHERWISE SPECIFIED: 9 PLC ±.01 5 PLC ±.005 4 PLC ±.002 ANGLES #2	DWN: R. GRZYBOWSKI 02FEB05 CHK: M. PERCHERKE 02FEB05 APVD: M. PERCHERKE PRODUCT SPEC: 108-1973 APPLICATION SPEC: 114-13038 WEIGHT: - FINISH: -	Tyco Electronics Corporation Harrisburg, PA 17105-3608 NAME: RIGHT ANGLE HEADER ASSY W/GUIDES MULTI-BEAM XL SIZE: A1 CAGE CODE: 00779 DRAWING NO: 6450122 SHEET: 2 OF 7 REV: E3
---	--	--

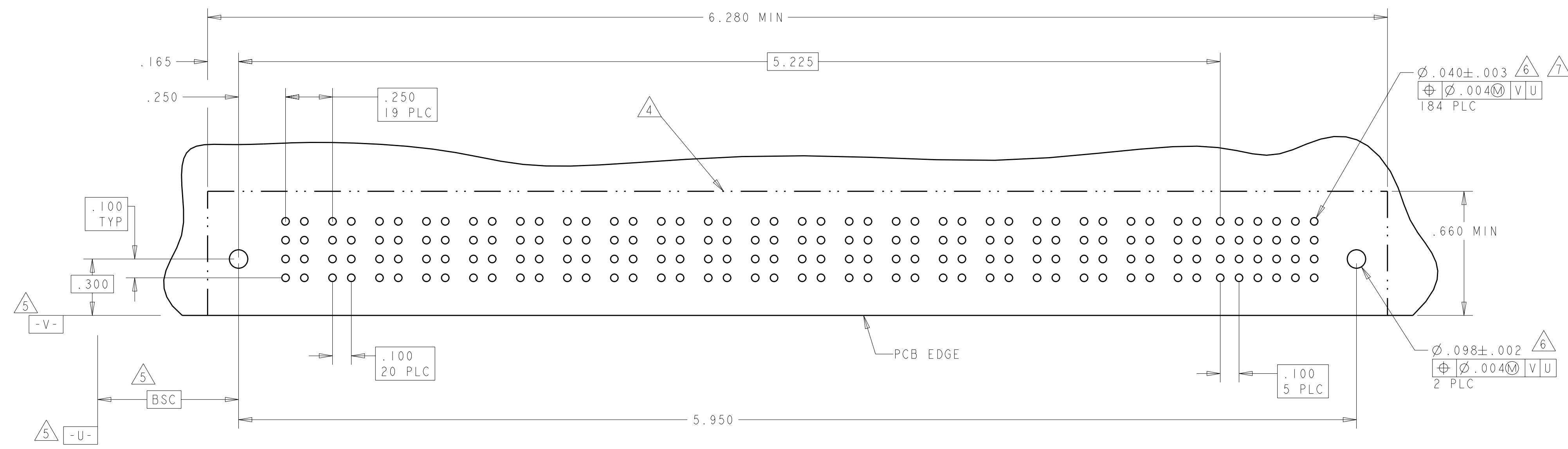
LOC	DIST	REV	DATE	DWN	APVD
GP	00	1			
		DESCRIPTION			
		SEE SHEET 1			

PART NUMBER	ROWS	POWER							SIGNAL									
		P1	P2	P3	P4	P5	P6	P7	1	2	3	4	5	6	7	8	9	10
6450122-8	D C B A	PM	PM	PM	PM	PM	PM	PM	J	J	J	J	J	J	J	J	J	J
									K	K	K	K	K	K	K	K	K	K
									N	N	N	N	N	N	N	N	N	N
									S	S	S	S	S	S	S	S	S	S
7P + 40S																		

PART NUMBER	ROWS	POWER		SIGNAL					
		P1	P2	1	2	3	4	5	6
I-6450122-0	D C B A	PM	PM	J	J	J	J	J	J
				K	K	K	K	K	K
				N	N	N	N	N	N
				S	S	S	S	S	S
2P + 24S									



PART NUMBER	ROWS	POWER																				SIGNAL					
		P1	P2	P3	P4	P5	P6	P7	P8	P9	P10	P11	P12	P13	P14	P15	P16	P17	P18	P19	P20	1	2	3	4	5	6
I-6450122-1	D C B A	PM	PM	PM	PM	PM	PM	PM	PM	PM	PM	PM	PM	PM	PM	PM	PM	PM	PM	PM	PM	J	J	J	J	J	J
																						K	K	K	K	K	K
																						N	N	N	N	N	N
																						S	S	S	S	S	S
20P + 24S																											

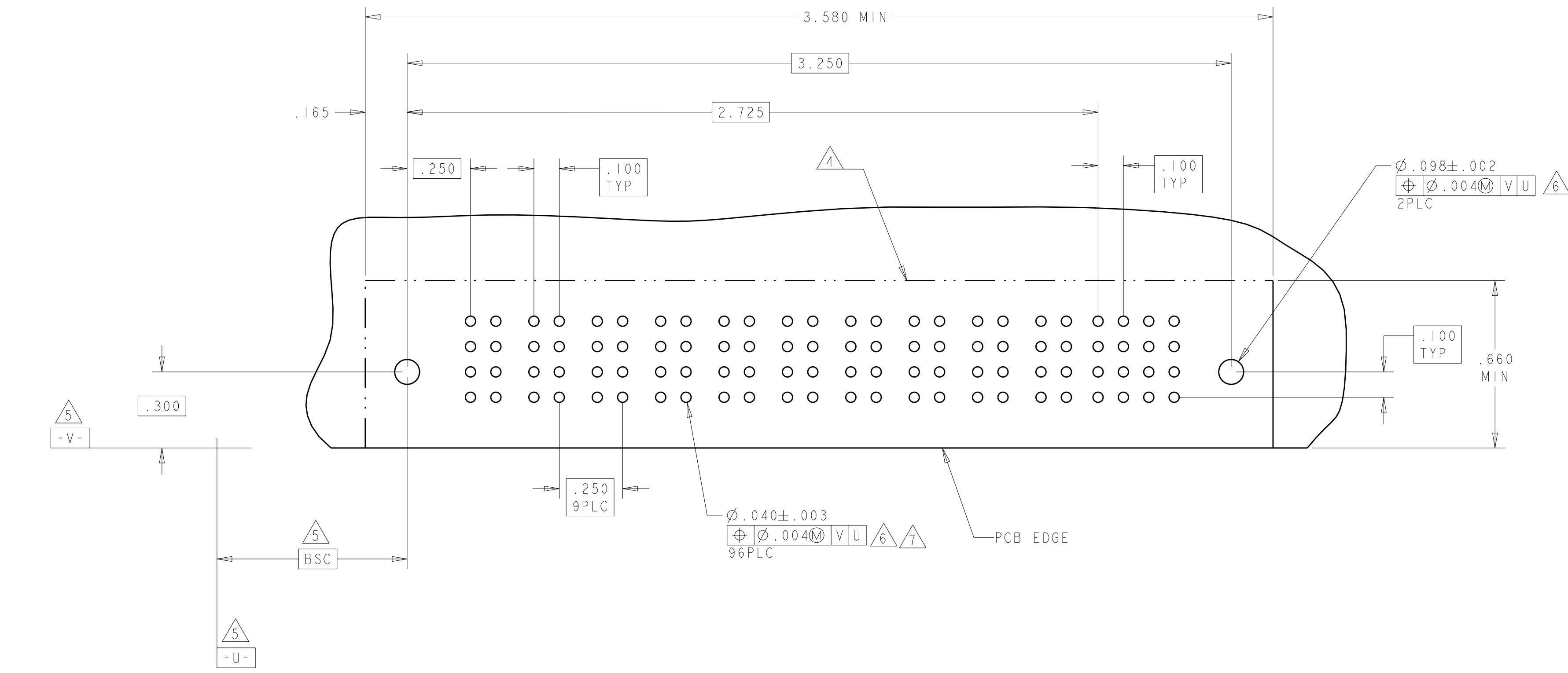
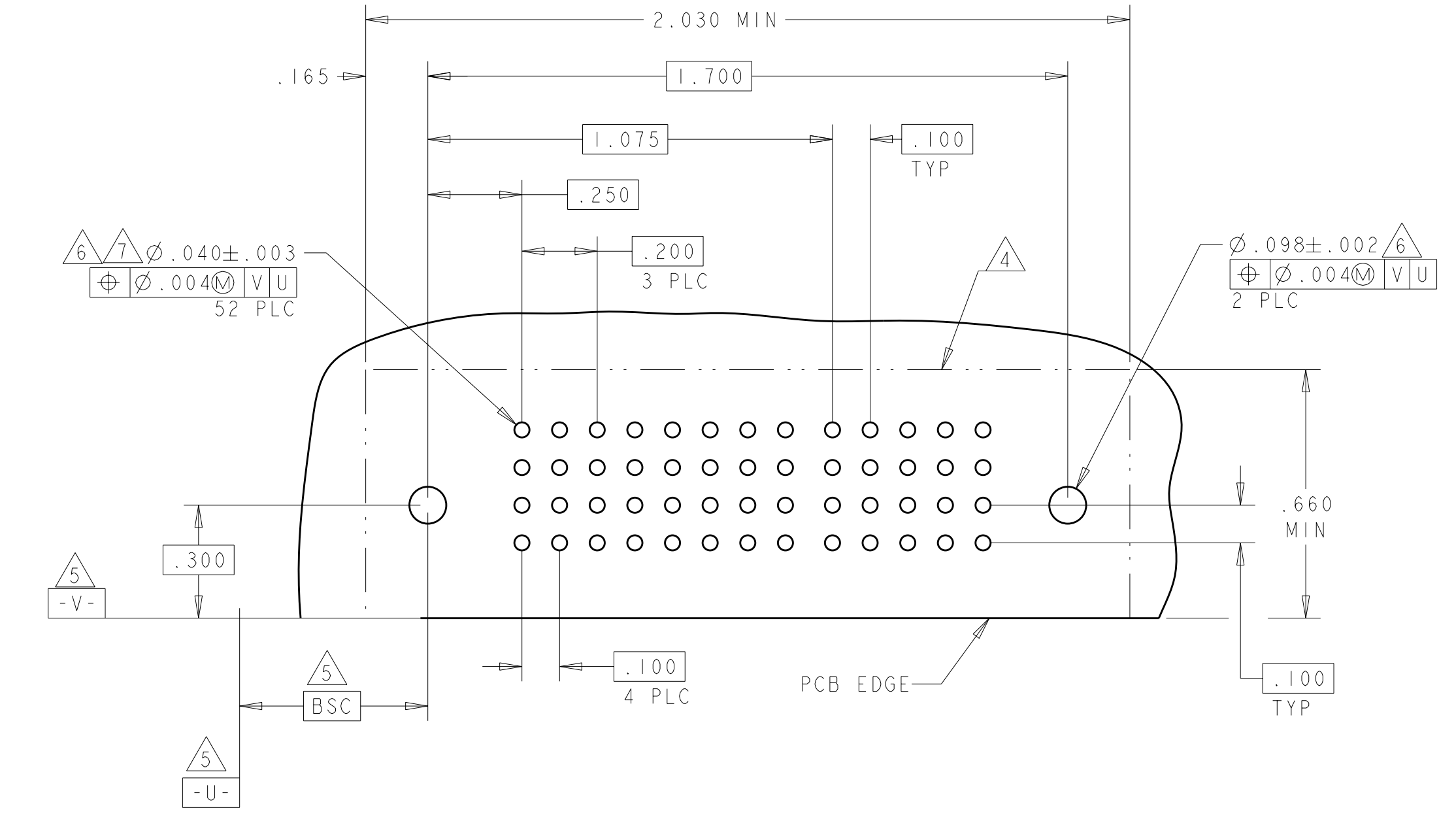
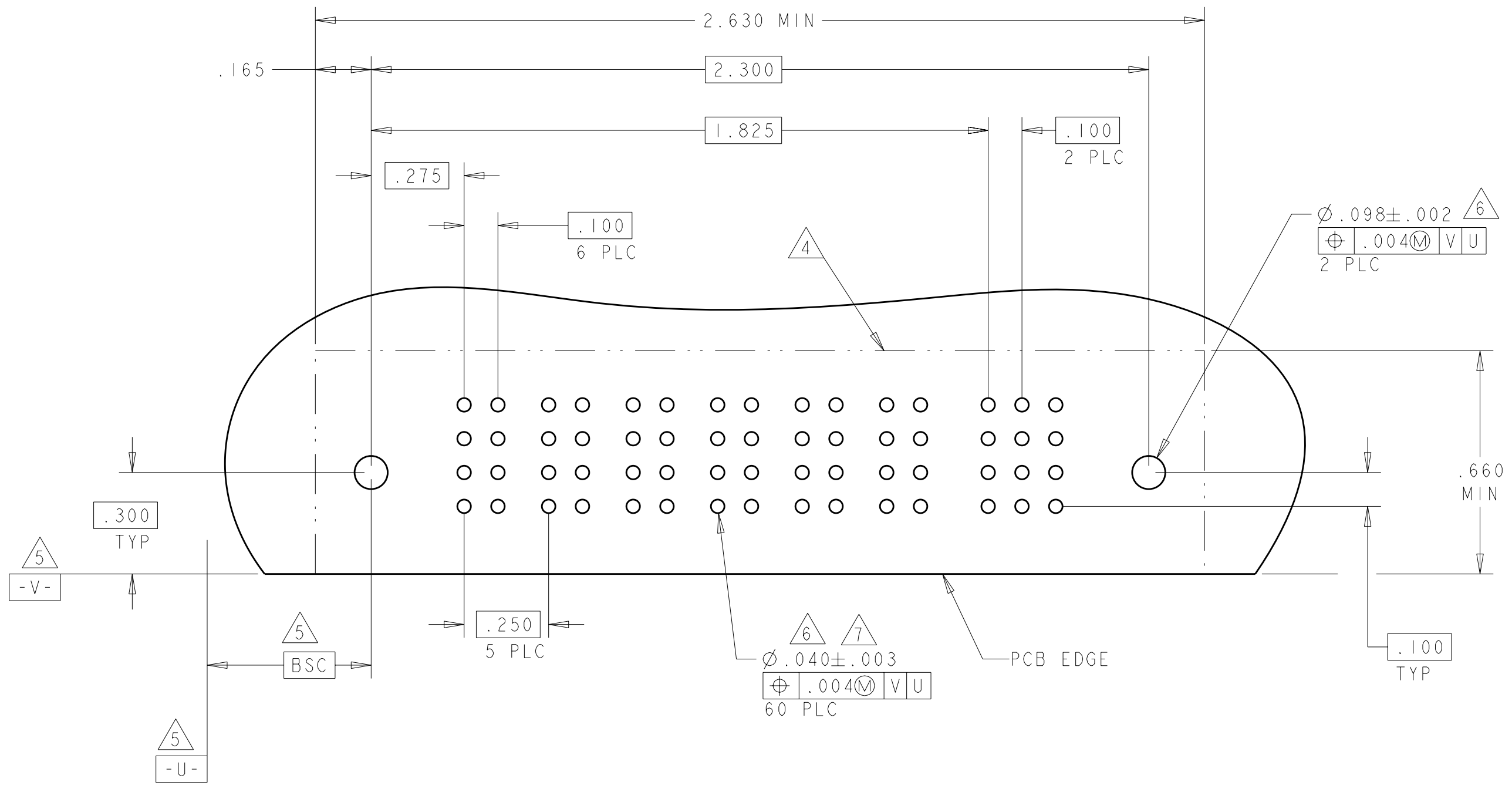


<small>THIS DRAWING IS UNPUBLISHED. RELEASED FOR PUBLICATION. COPYRIGHT 20 BY TYCO ELECTRONICS CORPORATION. ALL RIGHTS RESERVED.</small>		DWN: R. GRZYBOWSKI CHK: M. PERCHERKE APVD: M. PERCHERKE	02FEB05 02FEB05 108-1973 114-13038	Tyco Electronics Corporation Harrisburg, PA 17105-3608
DIMENSIONS: INCHES 		TOLERANCES UNLESS OTHERWISE SPECIFIED: 9 PLC ±. 1 PLC ±.01 2 PLC ±.01 3 PLC ±.005 4 PLC ±.0020 ANGLES #2		NAME: RIGHT ANGLE HEADER ASSY W/GUIDES MULTI-BEAM XL PRODUCT SPEC: 108-1973 APPLICATION SPEC: 114-13038
MATERIAL: - FINISH: -		WEIGHT: - CUSTOMER DRAWING: -	SIZE: A CAGE CODE: 00779 DRAWING NO: 6450122	RESTRICTED TO: - SCALE: 1:1 SHEET: 3 OF 7 REV: E3

LOC		DIST		REVISIONS			
GP	00	P	LTR	DESCRIPTION	DATE	DWN	APVD
				SEE SHEET 1			

PART NUMBER	ROWS	POWER						SIGNAL		
		P1	P2	P3	P4	P5	P6	1	2	3
1-6450122-7	D	PM	PM	PM	PM	PM	PM	J	J	J
	C							K	K	K
	B							N	N	N
	A							S	S	S
6P + 12S		HD		HD						

PART NUMBER	ROWS	POWER				SIGNAL				
		P1	P2	P3	P4	1	2	3	4	5
2-6450122-1	D	PM	PM	PM	PM	J	J	J	J	J
	C					K	K	K	K	
	B					N	N	N	N	
	A					H	H	H	H	
4P + 20S		HD		HD						



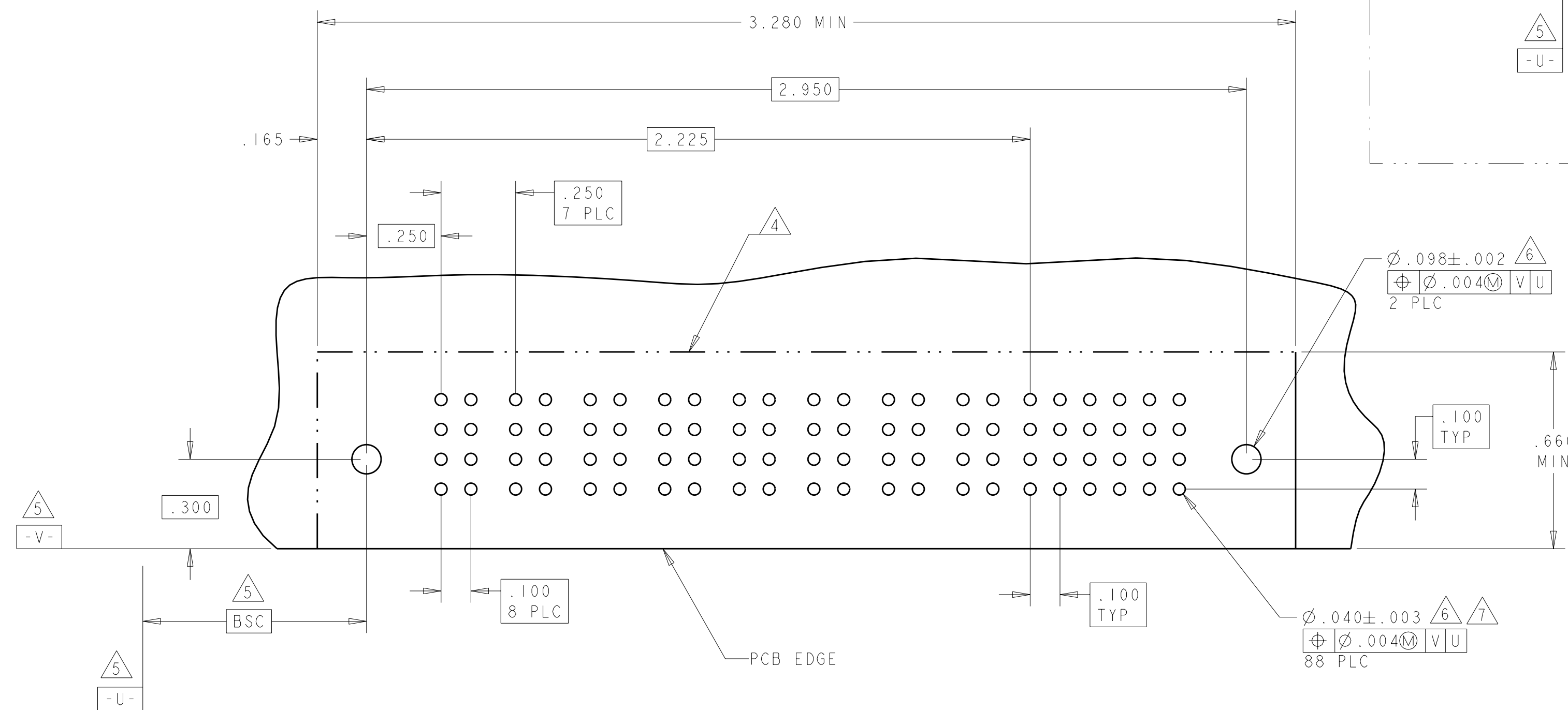
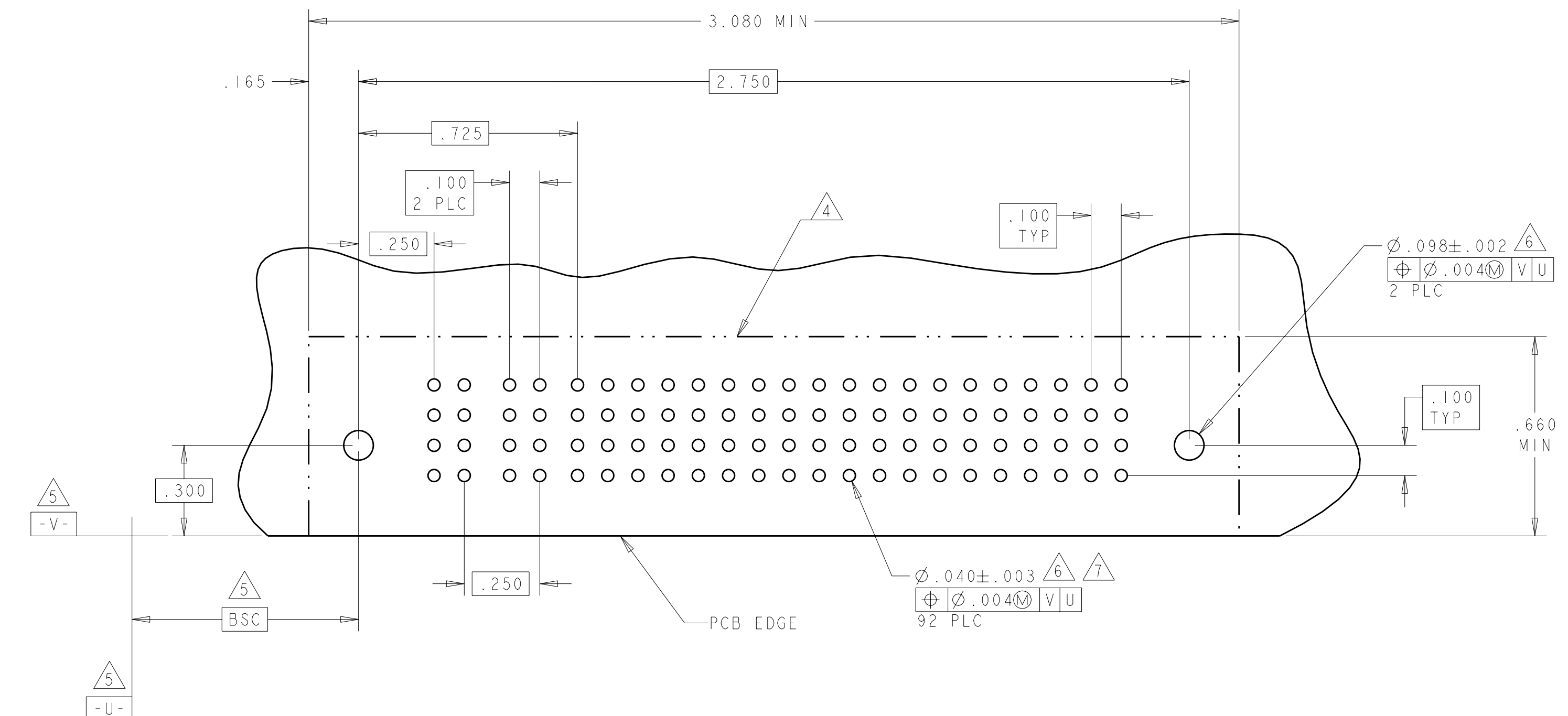
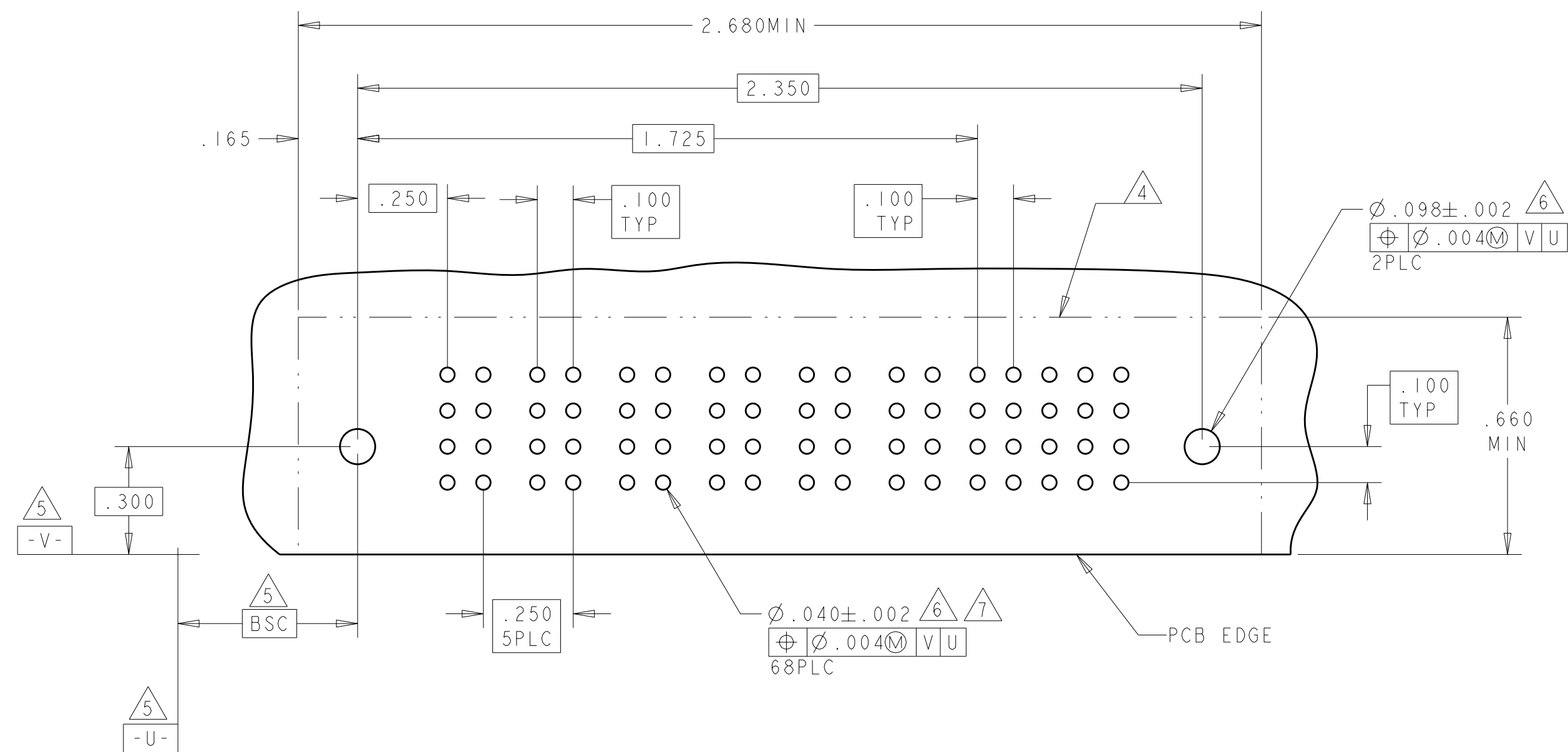
PART NUMBER	ROWS	POWER										SIGNAL			
		P1	P2	P3	P4	P5	P6	P7	P8	P9	P10	1	2	3	4
2-6450122-2	D	PM	PM	PM	PM	PM	PM	PM	PM	PM	PM	J	J	J	J
	C											K	K	K	K
	B											N	N	N	N
	A											S	S	S	S
10P + 16S		HD		HD											

DIMENSIONS: INCHES 		TOLERANCES UNLESS OTHERWISE SPECIFIED: 9 PLC ±. 5 PLC ±.01 4 PLC ±.005 ANGLES ±.0020 #2		DWN: R. GRZYBOWSKI 02FEB05 CHK: M. PERCHERKE 02FEB05 APVD: M. PERCHERKE NAME: RIGHT ANGLE HEADER ASSY W/GUIDES MULTI-BEAM XL PRODUCT SPEC: 108-1973 APPLICATION SPEC: 114-13038 WEIGHT: - CUSTOMER DRAWING: -		Tyco Electronics Corporation Harrisburg, PA 17105-3608 SCALE: 1:1 SHEET: 5 OF 7 REV: E3	
------------------------	--	---	--	--	--	---	--

LOC	DIST	REV	DATE	BY	APPD	
GP	00					
REV		LTN	DESCRIPTION	DATE	DWN	APPD
			SEE SHEET 1			

PART NUMBER	ROWS	POWER						SIGNAL				
		P1	P2	P3	P4	P5	P6	1	2	3	4	5
2-6450122-3	D C B A	PM	PM	PM	PM	PM	PM	J	J	J	J	J
								K	K	K	K	K
								N	N	N	N	N
6P + 20S								S	S	S	S	S

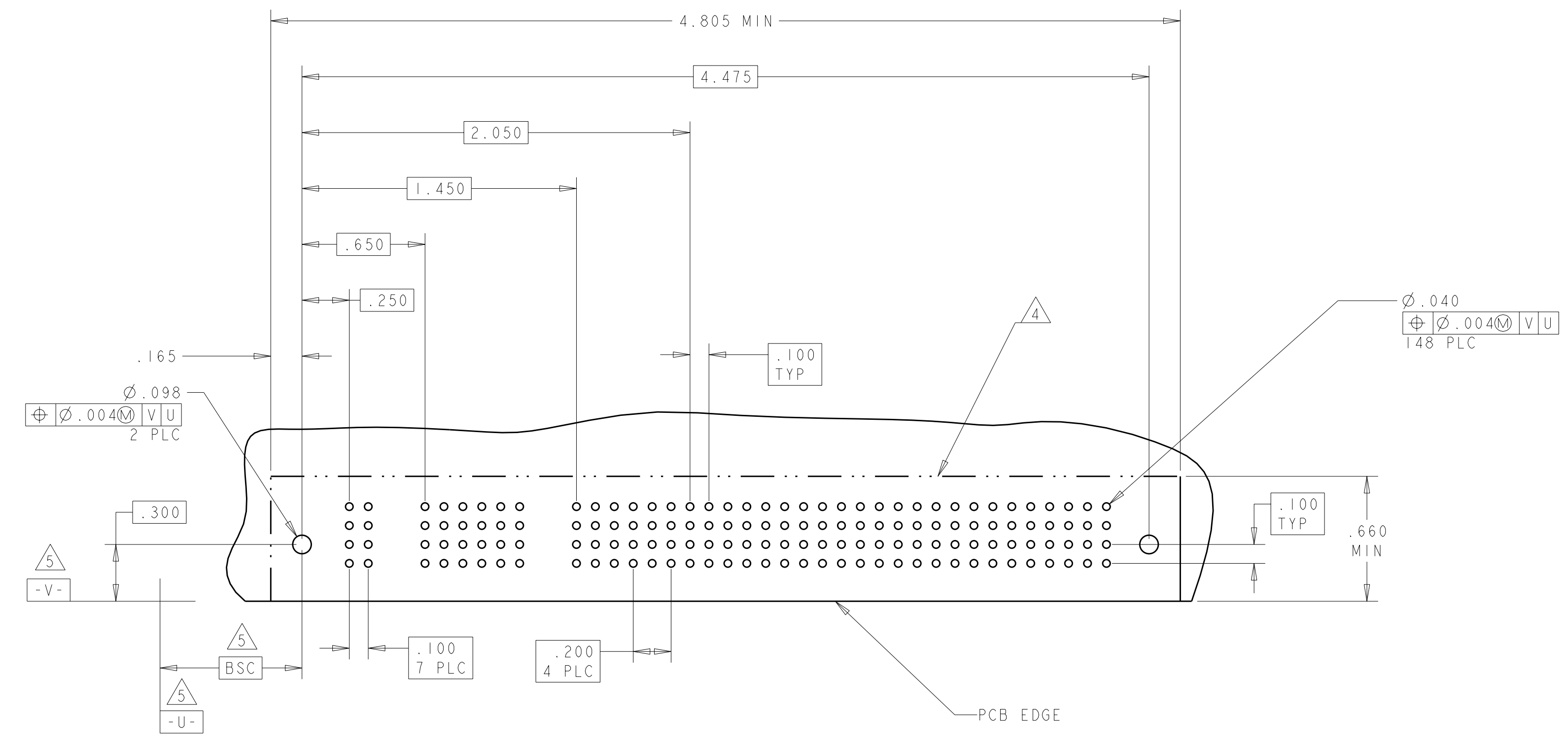
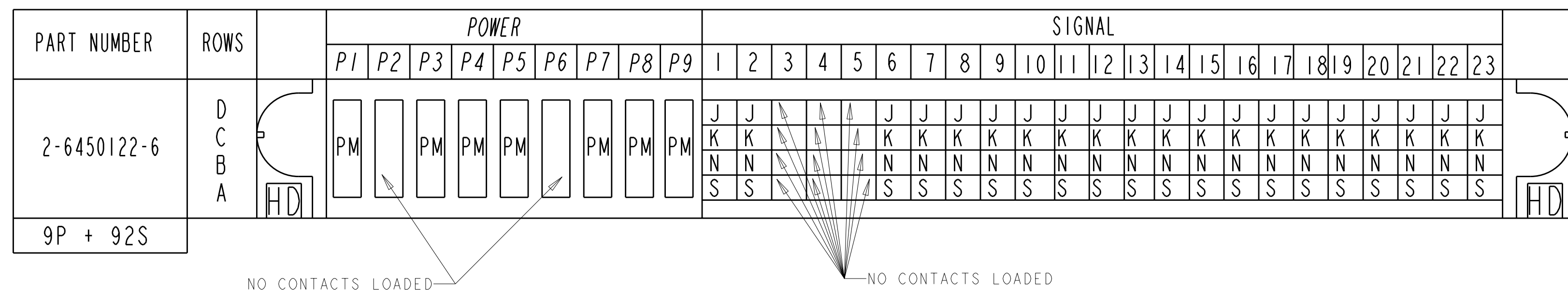
PART NUMBER	ROWS	POWER		SIGNAL																				
		P1	P2	1	2	3	4	5	6	7	8	9	10	11	12	13	14	15	16	17	18	19		
2-6450122-4	D C B A	PA	PA	Z	Z	Z	Z	Z	Z	Z	Z	Z	Z	Z	Z	Z	Z	Z	Z	Z	Z	Z	Z	
				Y	Y	Y	Y	Y	Y	Y	Y	Y	Y	Y	Y	Y	Y	Y	Y	Y	Y	Y	Y	Y
				R	R	R	R	R	R	R	R	R	R	R	R	R	R	R	R	R	R	R	R	R
2P + 76S				O	O	O	O	O	O	O	O	O	O	O	O	O	O	O	O	O	O	O	O	



PART NUMBER	ROWS	POWER								SIGNAL					
		P1	P2	P3	P4	P5	P6	P7	P8	1	2	3	4	5	6
2-6450122-5	D C B A	PM	PM	PM	PM	PM	PM	PM	PM	J	J	J	J	J	J
										K	K	K	K	K	K
										N	N	N	N	N	N
8P + 24S										S	S	S	S	S	S

<small>THIS DRAWING IS UNPUBLISHED. RELEASED FOR PUBLICATION. COPYRIGHT 20 BY TYCO ELECTRONICS CORPORATION. ALL RIGHTS RESERVED.</small>		DWN: R. GRZYBOWSKI 02FEB05 CHK: M. PERCHERKE 02FEB05 APVD: M. PERCHERKE	Tyco Electronics Corporation Harrisburg, PA 17105-3608
DIMENSIONS: INCHES 9 PLC ±.01 5 PLC ±.005 4 PLC ±.0020	TOLERANCES UNLESS OTHERWISE SPECIFIED: 9 PLC ±.01 5 PLC ±.005 4 PLC ±.0020	NAME: RIGHT ANGLE HEADER ASSY W/GUIDES MULTI-BEAM XL PRODUCT SPEC: 108-1973 APPLICATION SPEC: 114-13038	SIZE: A1 CAGE CODE: 00779 DRAWING NO: C=6450122 SCALE: 1:1
MATERIAL:	FINISH:	WEIGHT:	RESTRICTED TO:
CUSTOMER DRAWING		SCALE: 1:1	SHEET 6 OF 7 REV E 3

LOC	DIST	REVISIONS			
GP	00	REV	DATE	BY	APPD
		1	SEE SHEET 1		



DIMENSIONS: INCHES 		TOLERANCES UNLESS OTHERWISE SPECIFIED: 9 PLC ±. 1 PLC ±.01 2 PLC ±.01 3 PLC ±.005 4 PLC ±.0020 ANGLES #2 FINISH		DWN R. GRZYBOWSKI 02FEB05 CHK M. PERCHERKE 02FEB05 APVD M. PERCHERKE NAME PRODUCT SPEC 108-1973 APPLICATION SPEC 114-13038 WEIGHT CUSTOMER DRAWING		Tyco Electronics Corporation Harrisburg, PA 17105-3608 NAME RIGHT ANGLE HEADER ASSY W/GUIDES MULTI-BEAM XL SIZE CAGE CODE DRAWING NO RESTRICTED TO A11 00779 C-6450122 SCALE 1:1 SHEET 7 OF 7 REV E3	
---------------------------	--	--	--	---	--	---	--