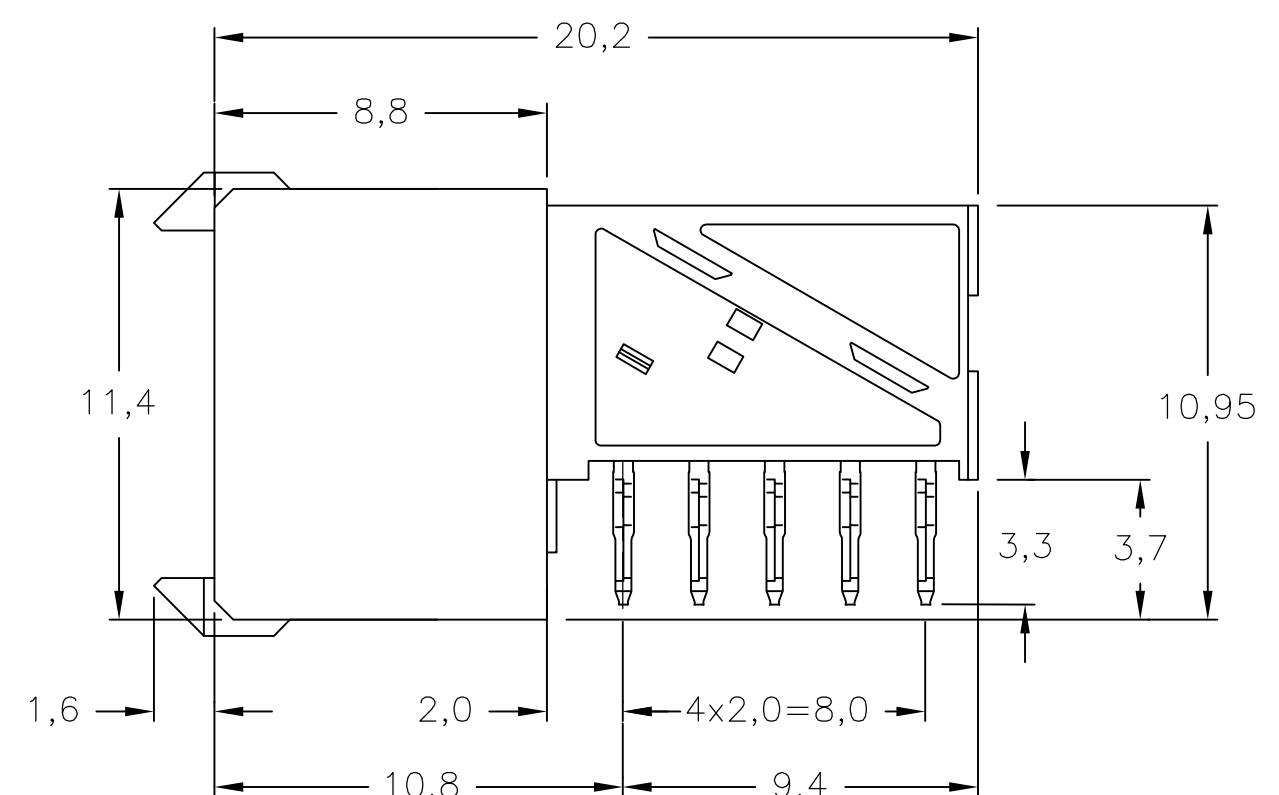
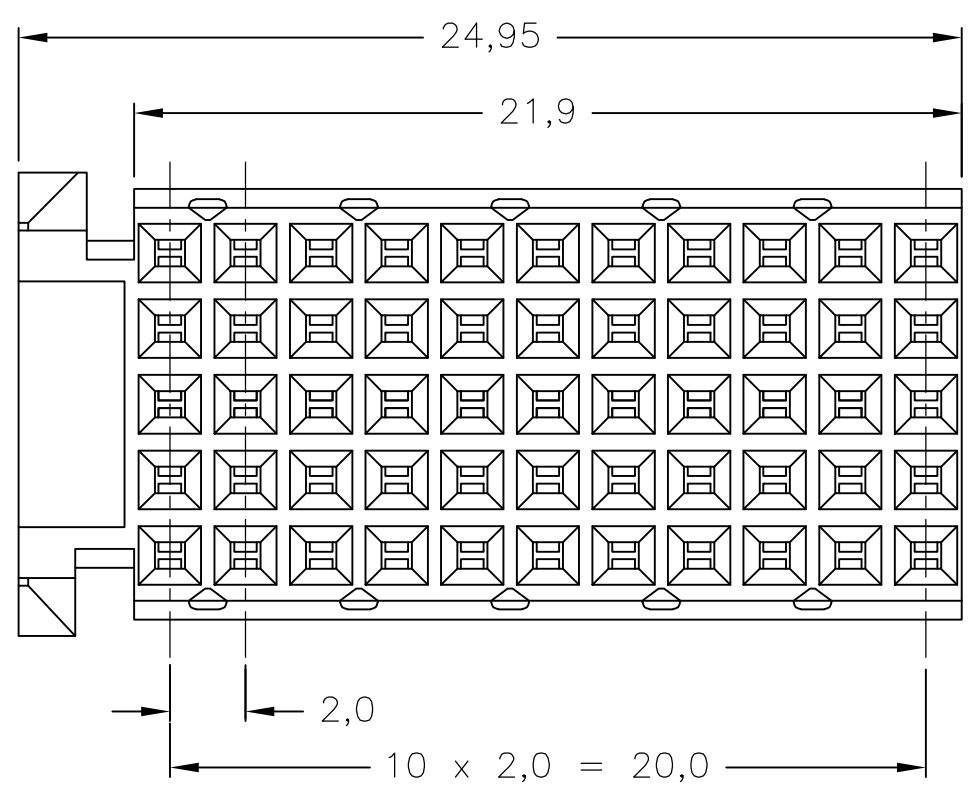
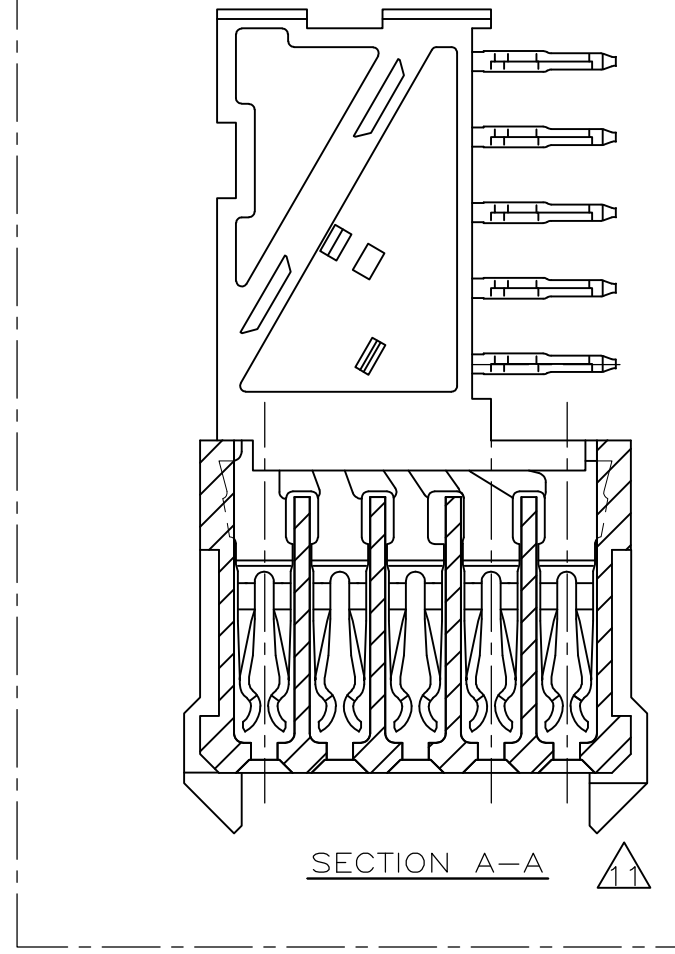
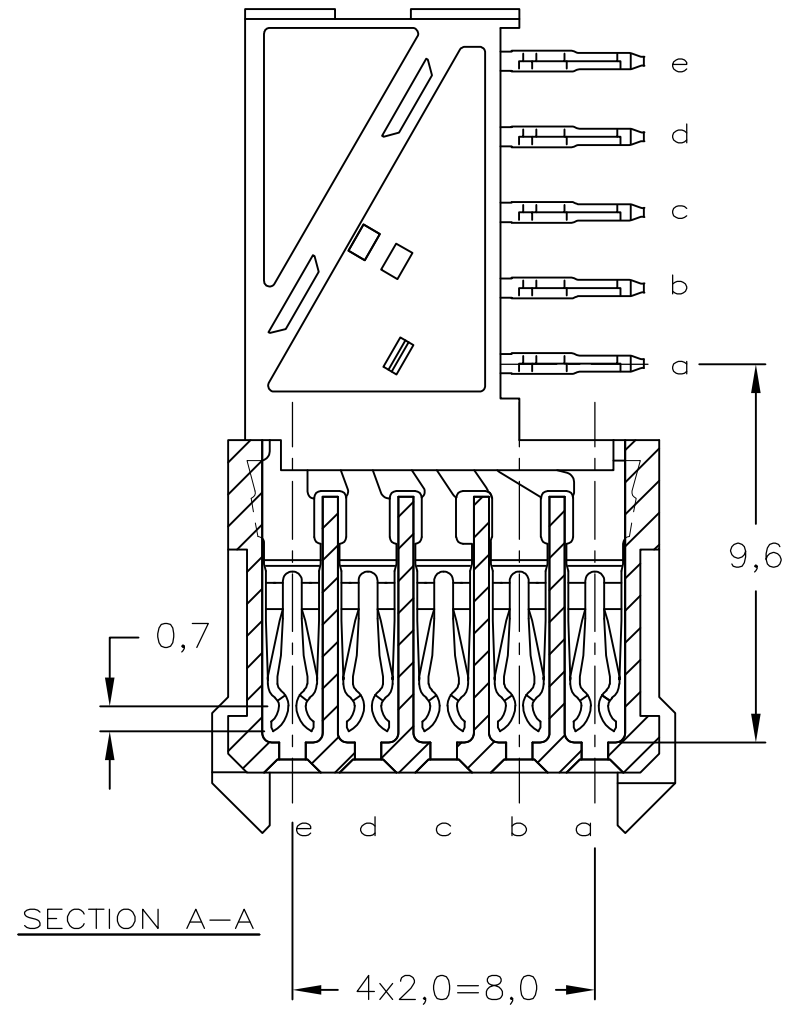
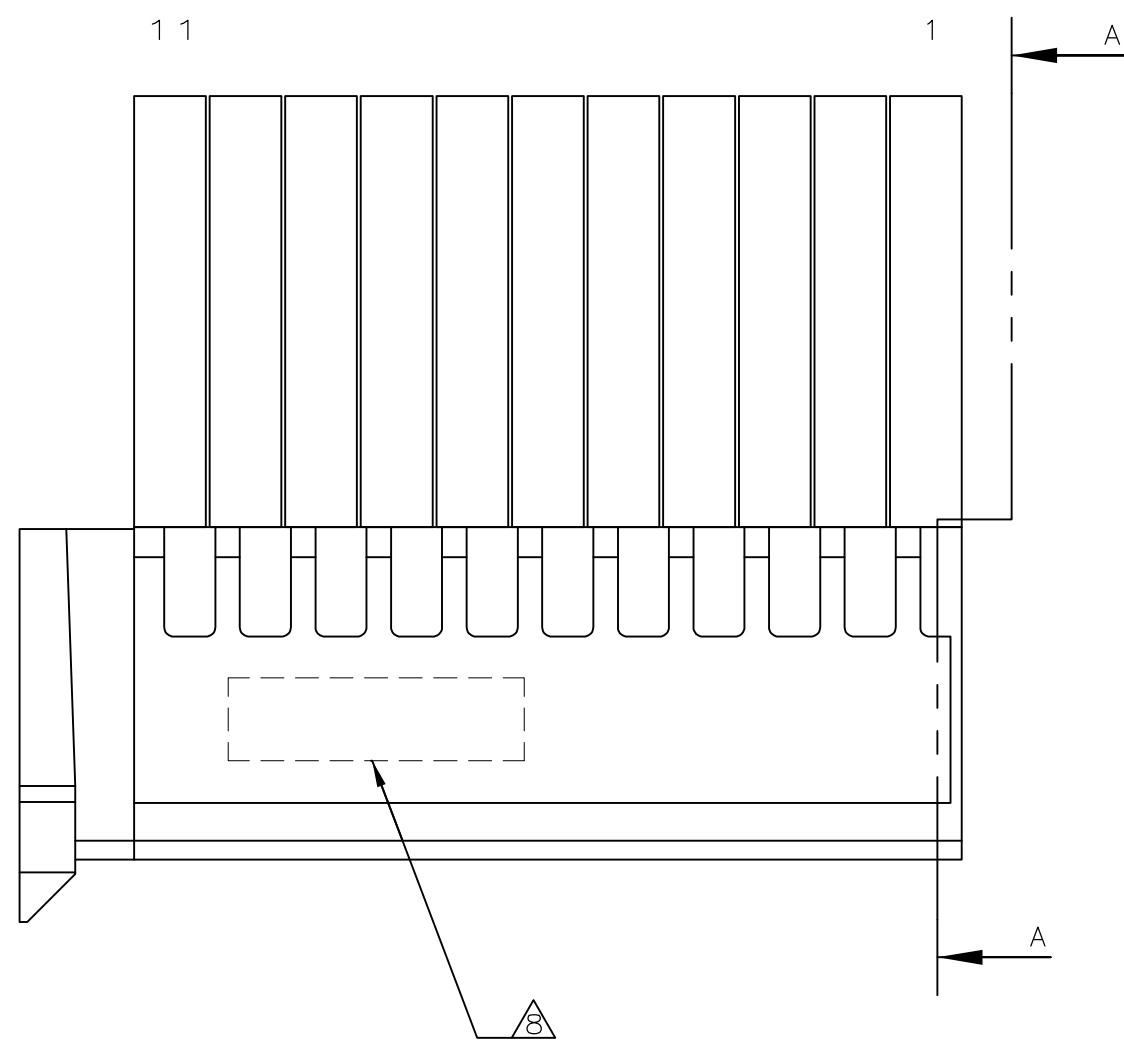
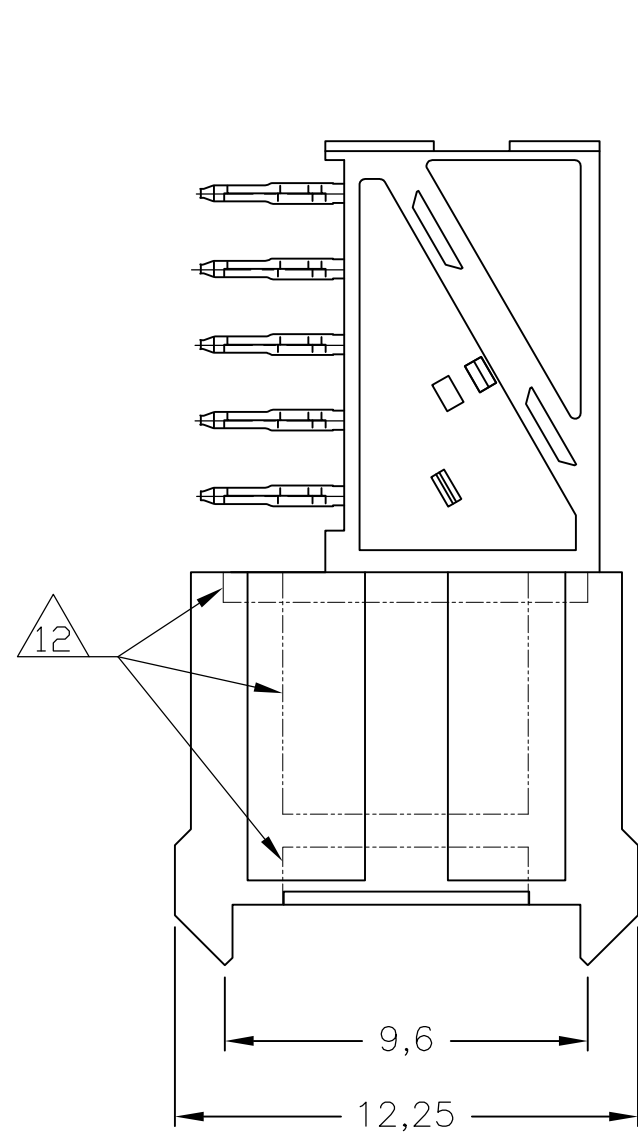


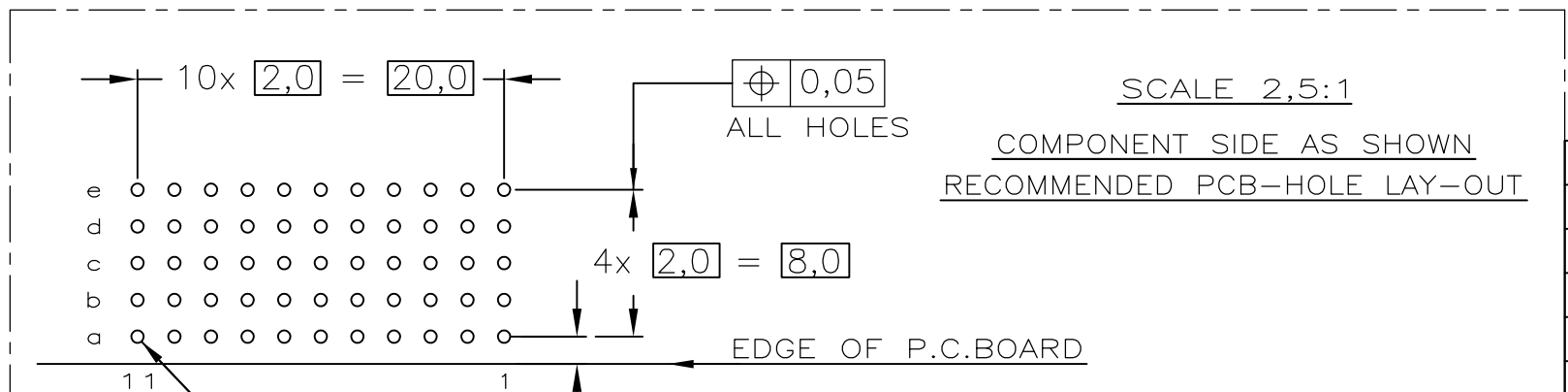
THIS DRAWING IS UNPUBLISHED. RELEASED FOR PUBLICATION
 © COPYRIGHT BY TYCO ELECTRONICS CORPORATION. ALL RIGHTS RESERVED.

LOC		DIST		REVISIONS			
P	LTR	DESCRIPTION	DATE	DWN	APVD		
H	-	B2	REVISED PER ECO-10-000444	19JAN10	KK	HMR	



NOTES:

- ⚠ MATERIAL CONTACT; PHOSPHORBRONZE
MATERIAL HOUSING; GLASSFILLED POLYESTER (GRAY)
UL-RATING 94V0.
- ⚠ GENERAL PLATING SPECIFICATION: UNDERPLATING (ENTIRE CONTACT): 1,27µm NICKEL MIN.
AND ACTION PIN: 0,5µm TIN MIN.
FOR PLATING OF MATING SURFACES SEE APPLICABLE SPECIFICATION REFERENCE FOR EACH DASH NUMBER.
- ⚠ CONFORMS TO ALL TESTING ACCORDING IEC 61076-4-101 PERFORMANCE LEVEL 2.
- ⚠ CONFORMS TO ALL TESTING ACCORDING IEC 61076-4-101 PERFORMANCE LEVEL 1.
- ⚠ CONNECTOR TESTED AND QUALIFIED AGAINST TELCORDIA GR-1217-CORE QUALITY LEVEL III, CENTRAL OFFICE APPLICATIONS.
- ⚠ CONNECTOR TESTED AND QUALIFIED AGAINST TELCORDIA GR-1217-CORE QUALITY LEVEL III, UNCONTROLLED ENVIRONMENT APPLICATIONS.
- ⚠ CONNECTOR LUBRICATED WITH TELCORDIA GR-1217-CORE APPROVED LUBRICANT.
- ⚠ CONNECTOR PRINTED WITH PARTNUMBER AND DATECODE
THE MARKING CAN APPEAR ON THE FRONT SIDE OR ON THE BACK SIDE.
- ⚠ 10 PLATED-THROUGH HOLES AT 2x2mm SQUARE GRID. 55 HOLES
AND INTEGRATED GROUND RETURN LOWERSHIELD, BASIC P.N. 5352112
- ⚠ 11 CONNECTOR ASSEMBLED WITH REDESIGNED CONTACTS.
- ⚠ 12 CONTACTS HAVE A CORING-OUT IN THE PLASTIC.
- ⚠ 13 ALTERNATE CORING-OUT IN HOUSING; NON-FUNCTIONAL.
- ⚠ 3 OBSOLETE PARTS: OBSOLETE CIS STREAMLINING PER D.RENAUD/D.SINISI



P.C.B. HOLE DIM. ACTION PIN
 FOR DETAILS SEE
 APPLICATION SPECIFICATION

THIS DRAWING IS A CONTROLLED DOCUMENT.		DWN	06AUG2004
		CHK	22SEP2004
		APVD	22SEP2004
		PRODUCT SPEC	108-19082
		APPLICATION SPEC	114-19029
		WEIGHT	-
		CUSTOMER DRAWING	

FINISH	MATERIAL	PARTNUMBER
⚠ 6	⚠	1-5100161-9
⚠ 5	⚠	5100161-9
⚠ 4	⚠	5100161-4
⚠ 3	⚠	5100161-1

Tyco Electronics Corporation 's-Hertogenbosch, 5222AR-32			
Z-PACK 2mm HM TYPE C 55 POS. FEMALE CONNECTOR			
SIZE	CAGE CODE	DRAWING NO	RESTRICTED TO
A2	00779	C=5100161	-
SCALE 4:1		SHEET 1 OF 1	REV B2