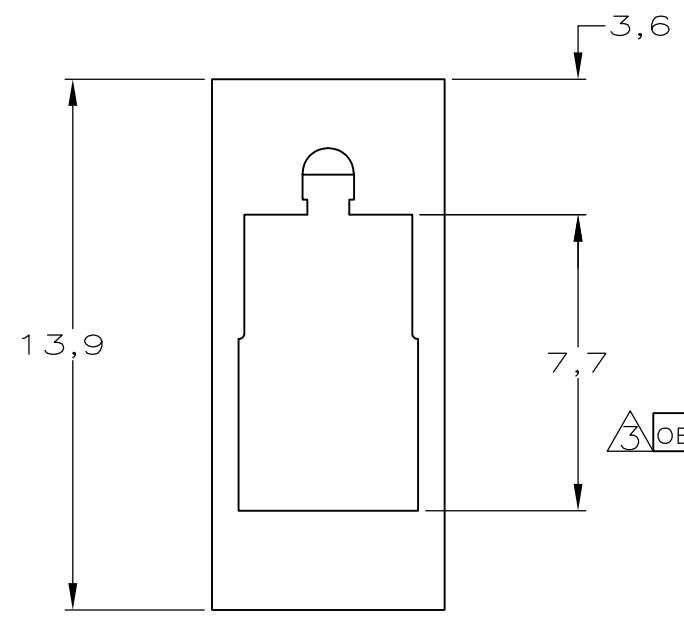
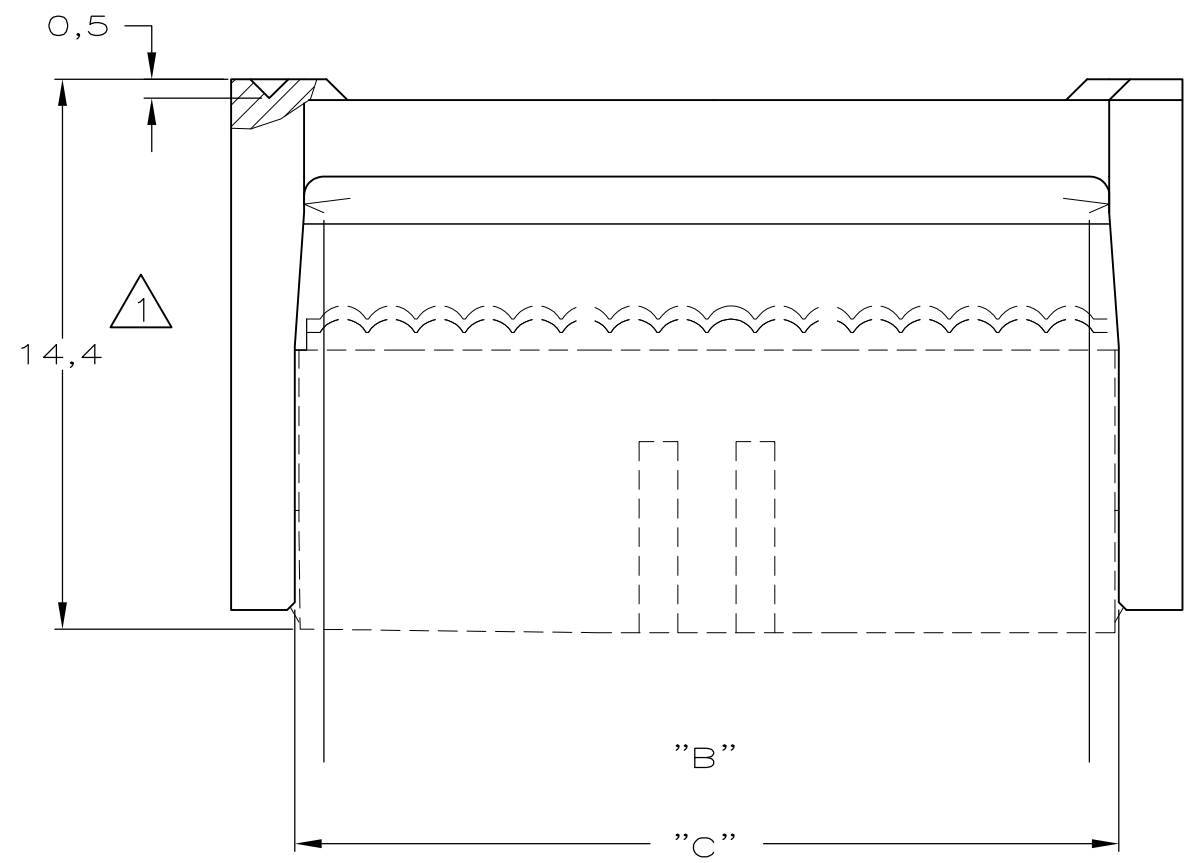
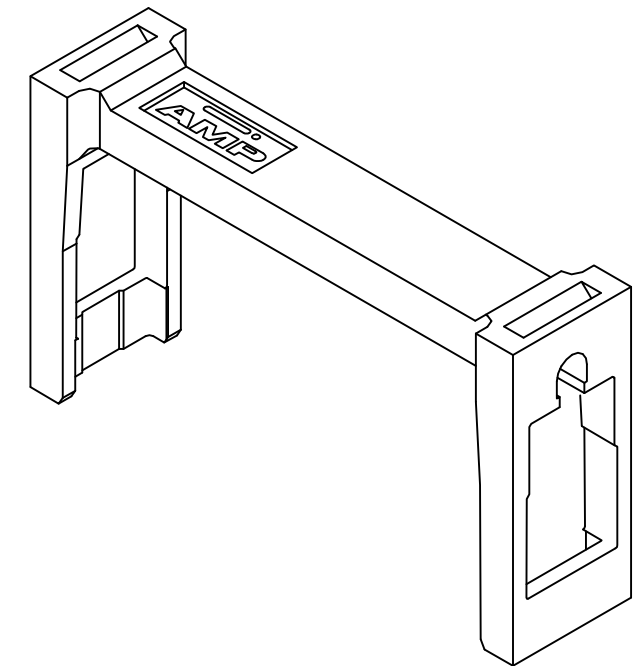
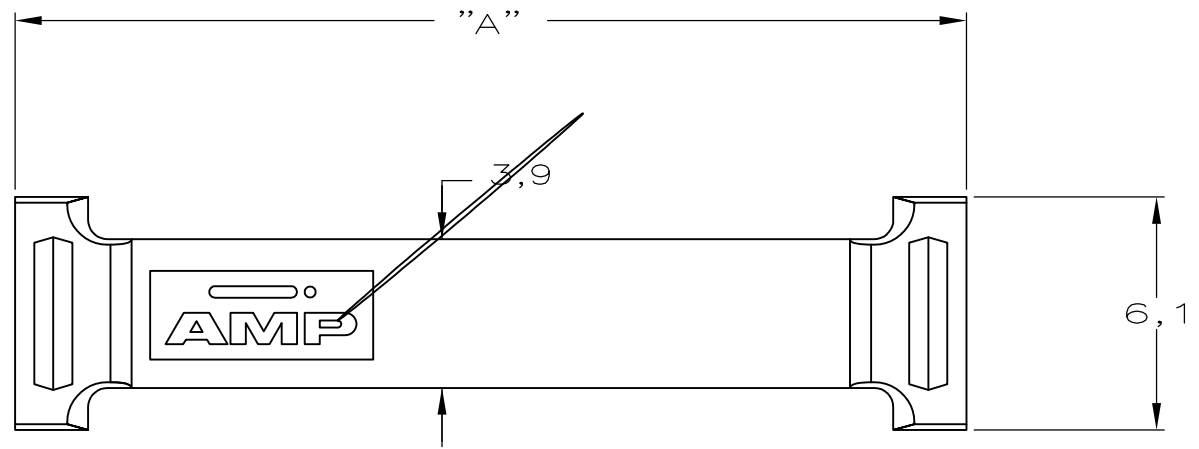


DO NOT SCALE
DIMENSIONS IN mm

METRIC

THIRD ANGLE
PROJECTION



NR. OF CABLE POS.	NR. OF DUAL POS.	A	B	C	PARTNUMBER
64	32	85,88	82,07	82,64	6-100103-4
60	30	80,80	76,99	77,56	6-100103-0
50	25	68,10	64,29	64,86	5-100103-0
44	22	60,48	56,67	57,24	4-100103-4
40	20	55,40	51,59	52,16	4-100103-0
34	17	47,78	43,97	44,54	3-100103-4
30	15	42,70	38,89	39,46	3-100103-0
26	13	37,62	33,81	34,38	2-100103-6
20	10	30,00	26,19	26,76	2-100103-0
16	8	24,92	21,11	21,68	1-100103-6
14	7	22,38	18,57	19,14	1-100103-4
10	5	17,30	13,49	14,06	1-100103-0

NOTES:

- 1 ASSEMBLED WITH AMP-LATCH MIL-TYPE RECEPT. CONN. (SYMMETRIC COVER)
- 2 250 PIECES PACKED IN A PLASTIC BAG.
- 3 OBSOLETE PARTS: OBSOLETE CIS STREAMLINING PER D.RENAUD/D.SINISI

GREY RAL 7032	GLASSFILLED NYLON
COLOR	MATERIAL

—					CUSTOMER DRAWING		FOR REFERENCE ONLY WILL NOT BE UPDATED		
—					© COPYRIGHT 19 — BY AMP HOLLAND B.V.		ALL INTERNATIONAL RIGHTS RESERVED. AMP PRODUCTS MAY BE COVERED BY U.S. AND FOREIGN AND/OR PATENTS PENDING.		
—					THIS DRAWING IS UNPUBLISHED		RELEASED FOR PUBLICATION —, 19 —		
—					AMP HOLLAND B.V.		's-Hertogenbosch, The Netherlands.		
C1	REVISED PER ECO-09-020932	KK	AEG	22AUG09	NAME				
B	H-9454	JvdH	R.V.	10-01-92	AMP-LATCH MIL-TYPE RECEPT. CONN. STRAIN-RELIEF.				
LTR.	REVISION RECORD	DR.	CHK.	DATE					
DR.:	R.HOGEVEEN.	CHK.:	R.VERSTIJNEN.	APP.:	L.V.SOEST.	DWG.No.	100103	REV.LTR.	SHEET
DATE:	06-08-90	DATE:	08-08-90	DATE:	23-08-90			C1	1 OF 1
							A3		