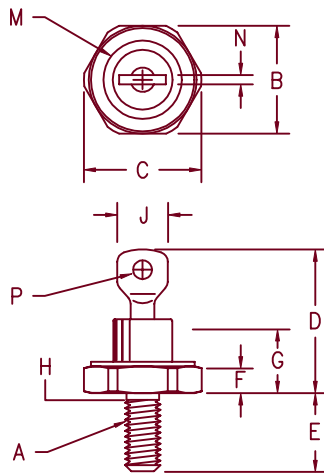


Silicon Power Rectifier S/R21 Series



- Notes:
- 10-32 UNF3A
 - Full threads within 2 1/2 threads
 - Standard Polarity: Stud is Cathode
Reverse Polarity: Stud is Anode

Dim.	Inches		Millimeter		Notes
	Minimum	Maximum	Minimum	Maximum	
A	---	---	---	---	1
B	.424	.437	10.77	11.10	
C	---	.505	---	12.82	
D	.600	.800	15.24	20.32	
E	.422	.453	10.72	11.50	
F	.075	.175	1.91	4.44	
G	---	.405	---	10.29	
H	.163	.189	4.15	4.80	2
J	---	.310	---	7.87	
M	---	.350	---	8.89	Dia
N	.020	.065	.510	1.65	
P	.070	.100	1.78	2.54	Dia

D0203AA (D04)

Microsemi Catalog Number	JEDEC Numbers	Peak Reverse Voltage
1N2246,A	1N2598	50V
1N2248,A		100V
*S2120	1N2250,A	150V
	1N2252,A	200V
*S2140	1N2254,A	300V
	1N2256,A	400V
*S2160	1N2258,A	500V
		600V
*S2180	1N2260,A	700V
	1N3670,A	800V
	1N3671,A	900V
	1N3672,A	1000V
*S21100	1N2262,A	1200V
*S21120	1N2264,A	1400V
*S21140		1600V
*S21160	1N5331	1600V

*Change S to R in part number for Reverse Polarity
For 1N types, use an R suffix for Reverse Polarity

- Glass Passivated Die
- Low Forward Voltage
- 250A Surge Rating
- Glass to metal seal construction
- V_{RRM} to 1600V

Electrical Characteristics

Average forward current	$I_F(AV)$ 22 Amps	$T_C = 134^\circ C$, half sine wave, $R_{\theta JC} = 2.5^\circ C/W$ 8.3ms, half sine, $T_J = 200^\circ C$
Maximum surge current	I_{FSM} 250 Amps	
Max $I^2 t$ for fusing	$I^2 t$ 260 $A^2 s$	
Max peak forward voltage	V_{FM} 1.2 Volts	$I_{FM} = 30A$; $T_J = 25^\circ C$ *
Max peak reverse current	I_{RM} 10 μA	$V_{RRM}, T_J = 25^\circ C$
Max peak reverse current	I_{RM} 1.0 mA	$V_{RRM}, T_J = 150^\circ C$
Max Recommended Operating Frequency	10kHz	

*Pulse test: Pulse width 300 μsec . Duty cycle 2%

Thermal and Mechanical Characteristics

Storage temperature range	T_{STG}	$-65^\circ C$ to $200^\circ C$
Operating junction temp range	T_J	$-65^\circ C$ to $200^\circ C$
Maximum thermal resistance	$R_{\theta JC}$	2.5 $^\circ C/W$ Junction to Case
Mounting torque		25-30 inch pounds
Weight		.16 ounces (5.0 grams) typical

S/R21

Figure 1
Maximum Forward Characteristics

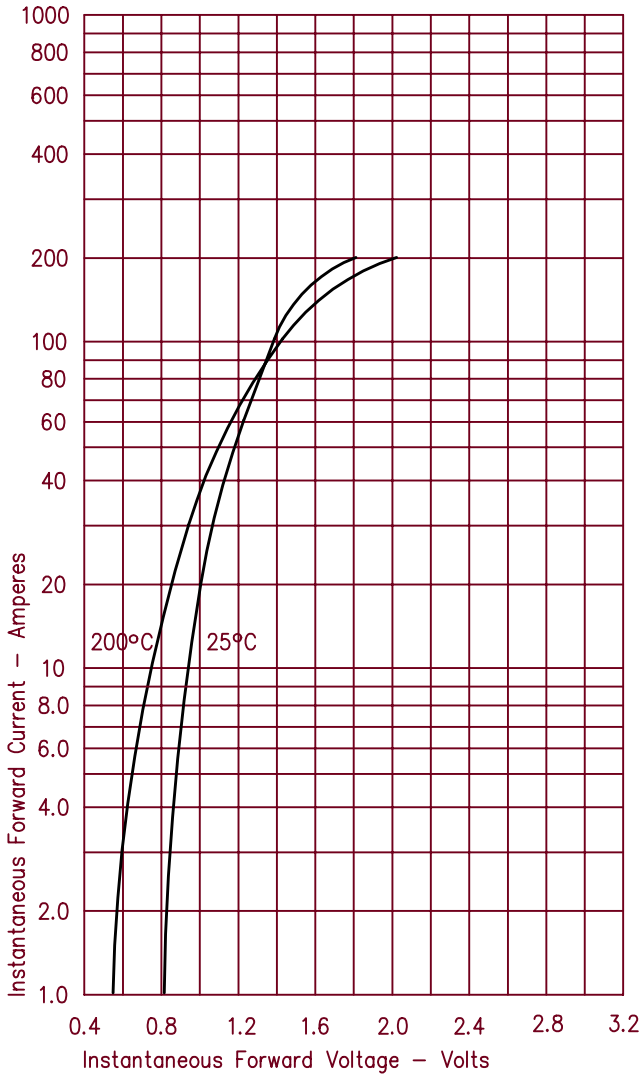


Figure 3
Forward Current Derating

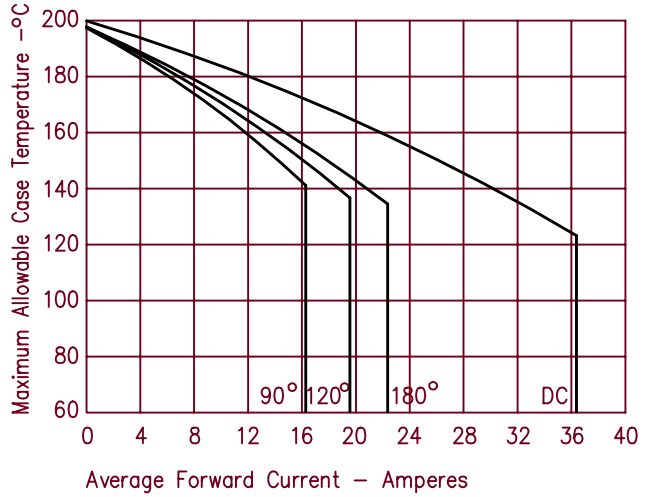


Figure 4
Maximum Forward Power Dissipation

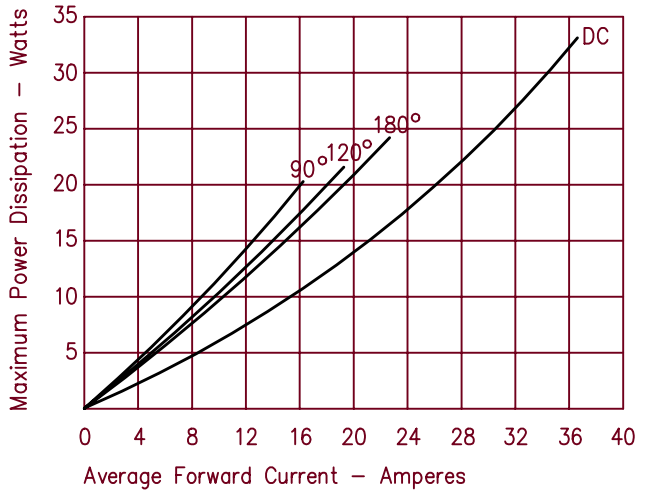


Figure 2
Typical Reverse Characteristics

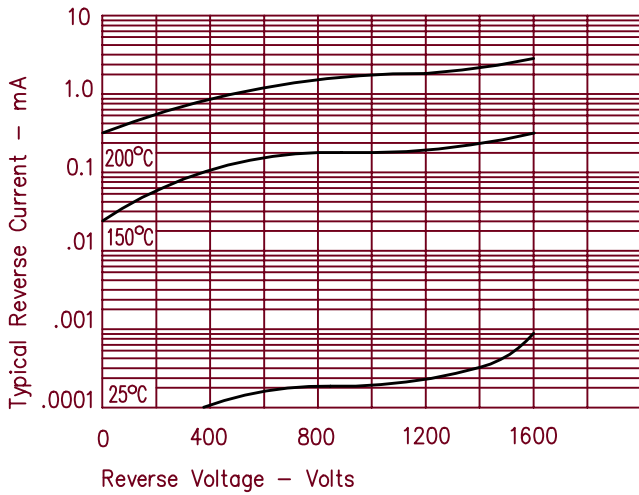


Figure 5
Transient Thermal Impedance

