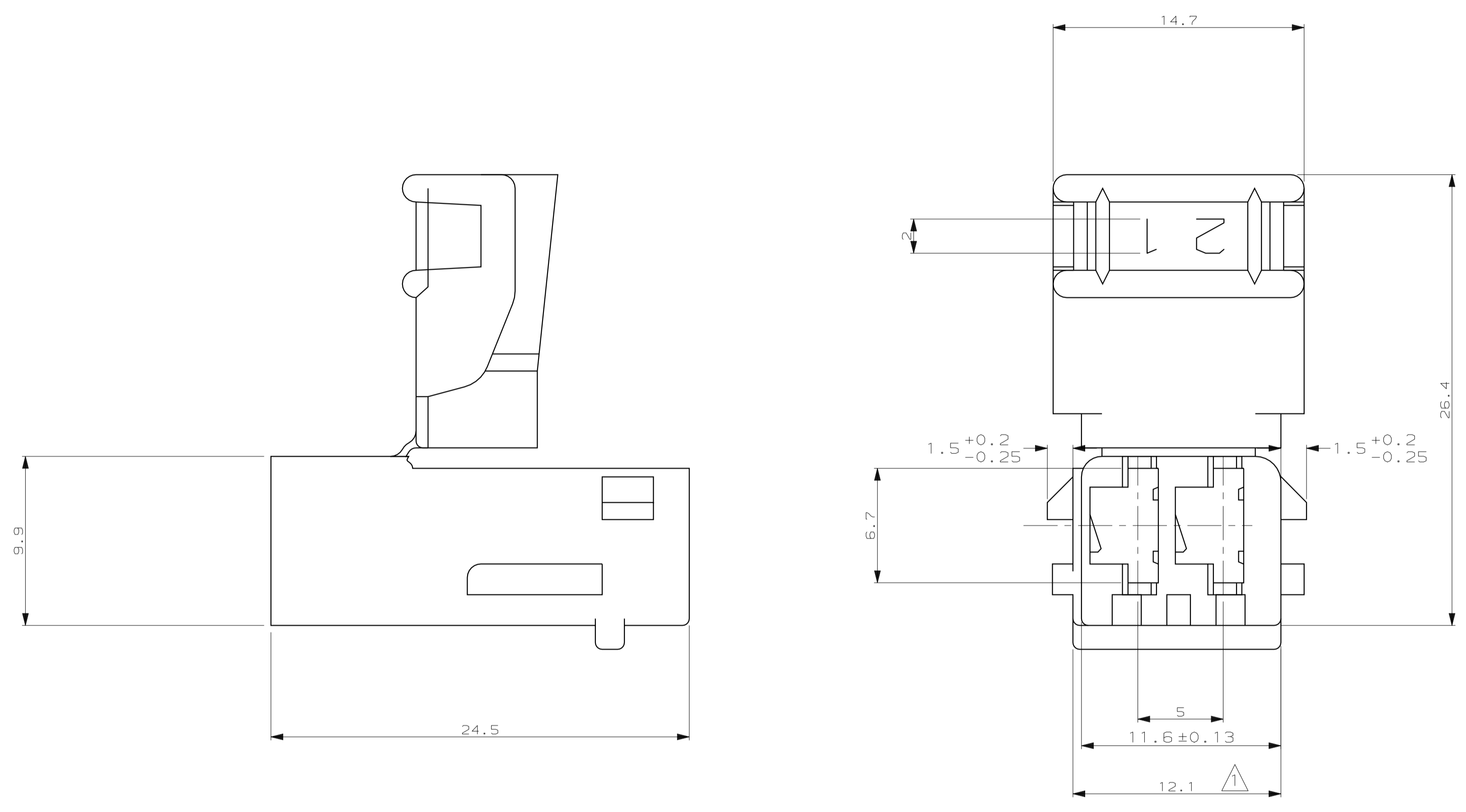
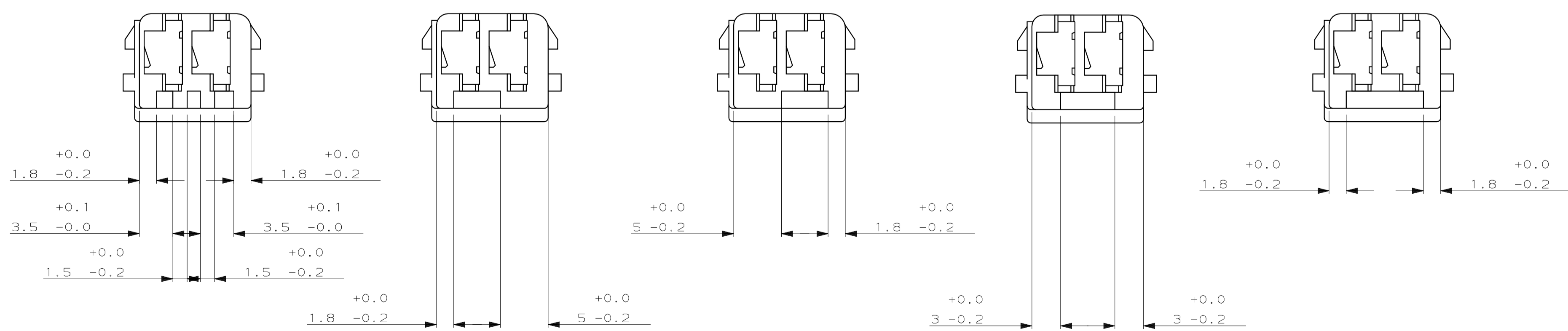


LOC		DIST		REVISIONS			
SP	LTR	REV	DESCRIPTION	DATE	DWN	APVD	APP.
F		7	1.5+0.2/-0.25 ETAIT 1.5+0.2/-0	02-APR-02	RP		-
			G AJOUT 11.6+/-0.13	02-JUN-04	RP	JPP	
			H 5 PN AJOUTES	22-AUG-06	RP	JPP	



NOTE \triangle : 11.6 MINI ADMIS AVEC DEFORMATION



142680-4	142680-9	142680-1	142680-2	142680-0	1 SAC: 3200 PIECES 1 BAG: 3200 PARTS
142680-7	142680-8	1-142680-1	142680-6	1-142680-0	8 SACS: 400 PIECES PAR SAC (8 BAGS: 400 PARTS BY BAG)
JAUNE (YELLOW)	BLANC (WHITE)	MARRON (BROWN)	ROUGE (RED)	NOIR (BLACK)	COULEUR (COLOR)

THIS DRAWING IS A CONTROLLED DOCUMENT. CE PLAN EST UN DOCUMENT CONTROLÉ.

DWN/DESSINE: 29-APR-97
Revis: PATIN
CHK/VERIFIE: JP PICAUD
APVD/APPROUVE: J-L REVILL
NAME: TITRE

TYCO Electronics TYCO ELECTRONICS FRANCE SAS
BP 39, 95301 CERGY-PONTOISE CEDEX

PRODUCT SPEC: 109-15036
SPEC. PRODUCT: 114-13008
APPLICATION SPEC: 114-13008

SIZE: A1
CAGE CODE: 00779
DRAWING NO: 142680

MATERIAL: PA 6.6
FINISH: -

WEIGHT: APPROX. 1.640g

CUSTOMER DRAWING/PLAN CLIENT POUR REFERENCE

UNDOUMENT: ECHELLE: 5:1
SHEET OF: 1 DE 1
REV: H