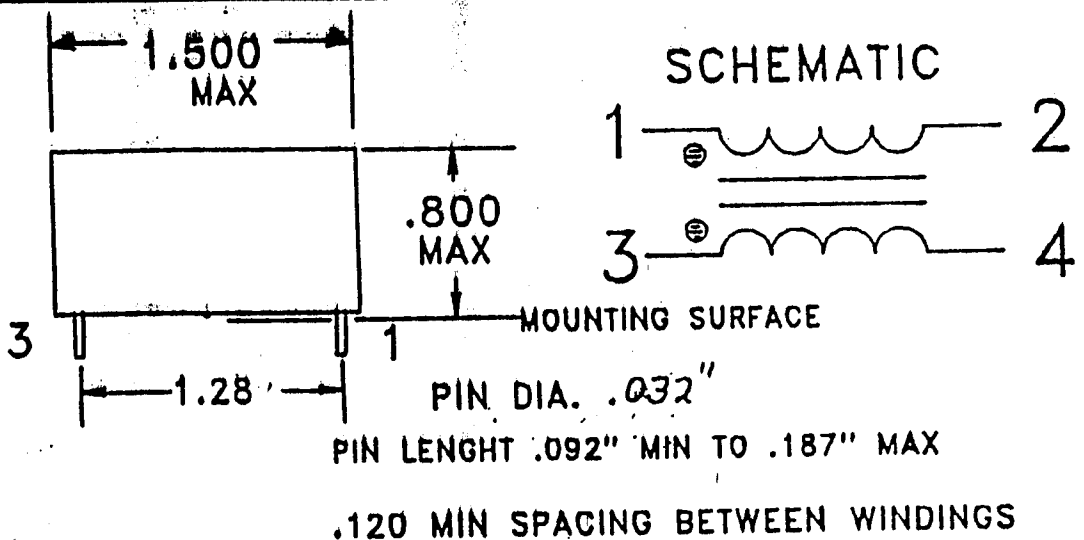
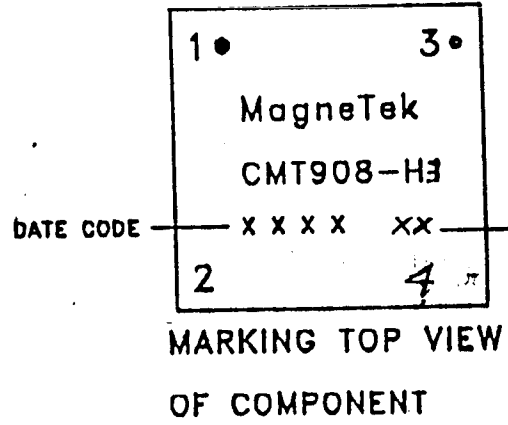
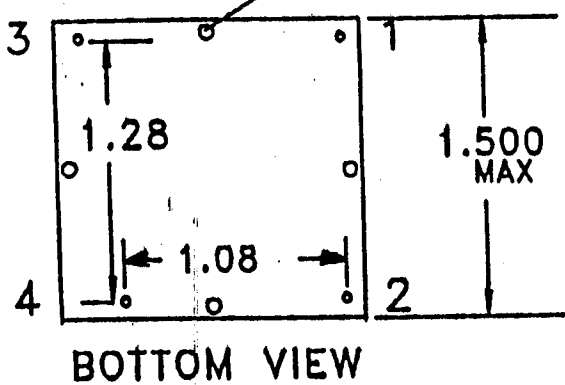


WG NO. CMI 908-H3





STANDOFFS 4 PLCS .015 MIN.



TWO DIGIT VENDOR IDENTIFICATION CODE TO BE ASSIGNED AFTER VENDOR APPROVAL.

DC RESISTANCE IN OHMS	1 TO 2 .120 MAX
	3 TO 4 .120 MAX
POLARITY MUST BE CORRECT	
APPLY = .1V @ 10 KHZ	
INDUCTANCE = 1 TO 2 8.00 mHYS MIN	
IND 1-2 & 3-4 WITHIN .16 mHY	
LEAKAGE INDUCTANCE = 90.0 uHYS	
-450 uHY 1-3 WITH 2 & 4 SHORTED	
HIPOT = 2850 V FOR 1 SEC MIN	
WDG TO WDG	
CONTINUITY =	
IMPREGNATION NOTES =	
PINS TO BE FREE OF DEBRIS TO MTG SURFACE MIN	

REV	CHANGE	DATE	UNLESS OTHERWISE SPECIFIED DIMENSIONS ARE IN INCHES. TOLERANCES:	MATERIAL	
A	RELEASED	KAC, 4-23-92	<p>x/x = ± 1/64 .xx = ± .01 .xxx = ± .008 4 = ± 0° 30'</p> <p>THIS DRAWING CONTAINS INFORMATION PROPRIETARY TO MAGNETEK. ANY REPRODUCTION, DISCLOSURE OR USE OF THIS DRAWING IS EXPRESSLY PROHIBITED EXCEPT AS MAGNETEK MAY OTHERWISE AGREE IN WRITING. DO NOT SCALE DRAWING.</p>	FINISH	
B	EIN 67589	HA 5-17-92			
C	EIN 68247-	HA 10-29-92			
DWN BY <i>K. Chiu</i>		SCALE	TITLE		
CHK BY		DATE	COMMON MODE FILTER INDUCTOR		
APVD BY <i>K. Chiu</i>		4-22-92	SIZE	DRAWING NO.	
			A	CMT908-H3	

24