



TAI-SAW TECHNOLOGY CO., LTD.

No. 3, Industrial 2nd Rd., Ping-Chen Industrial District,
Taoyuan, 324, Taiwan, R.O.C.

TEL: 886-3-4690038 FAX: 886-3-4697532

E-mail: tstsales3@mail.taisaw.com Web: www.taisaw.com

Approval Sheet For Product Specification

Issued Date:

Product Name: Low-Loss 70MHz IF SAW Filter (BW=9 MHz)

TST Parts No.: TB0213A

Customer Parts No.: _____

Company: _____
Division: _____
Approved by : _____
Date: _____

Checked by: _____ Kazuma Lee

Approval by: _____ Francis Chen

Date: _____ 04.10. 2007



TAI-SAW TECHNOLOGY CO., LTD.

No.3, Industrial 2nd Rd., Ping-Chen Industrial District, Taoyuan, Taiwan, R.O.C.

TEL: 886-3-4690038 FAX: 886-3-4697532

E-mail: tstsales3@mail.taisaw.com Web: www.taisaw.com

Low-Loss 70 MHz IF SAW Filter (SMD 13.3x6.5 mm)

Model No.: TB0213A

Rev. No.:2

A. Maximum Rating:

RoHS Compliant
Lead free
Lead-free soldering

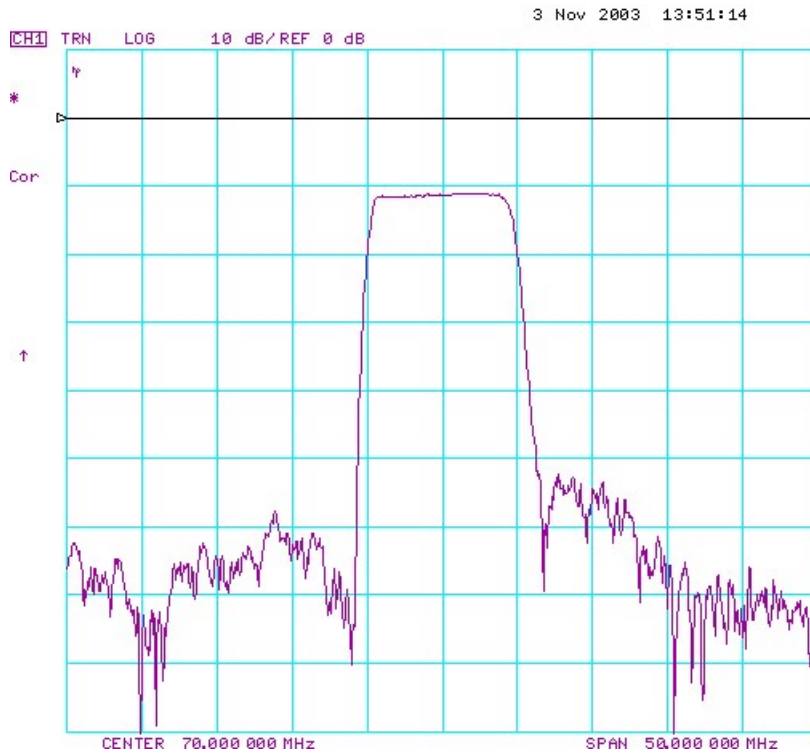
1. Input Power Level: +20 dB_m
2. Operating Temperature: -10°C to +70°C
3. Storage Temperature: -40°C to +85°C

B. Electrical Characteristics:

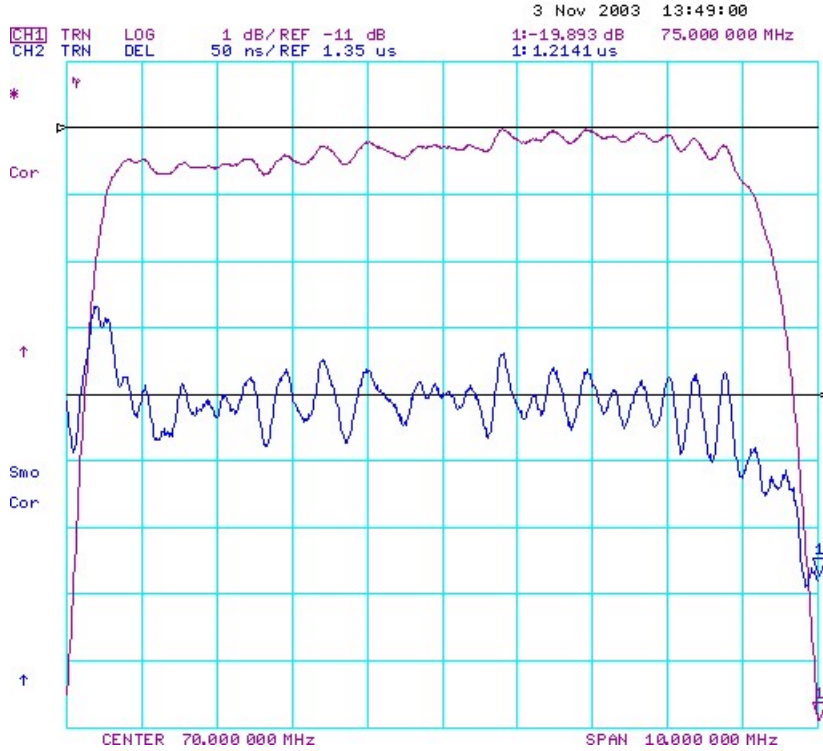
Parameters	Unit	Min.	Typical	Max.
Center frequency, F _c	MHz	69.8	70	70.2
Insertion Loss, IL	dB	-	10.7	11.5
1 dB Bandwidth	MHz	8.4	8.66	-
3 dB Bandwidth	MHz	9.0	9.31	-
35 dB Bandwidth	MHz	-	11.7	13.0
Relative Attenuation:				
10 to 64 MHz	dB	40	46	-
77 to 140 MHz	dB	40	42	-
Amplitude ripple within F _c ± 3.7 MHz	dB	-	0.6	1.0
Group Delay ripple within F _c ± 3.7 MHz	nsec	-	125	160
Substrate Material	-	-	YZ-LN	-
Temperature Coefficient of frequency	ppm/ °C	-	-94	-

C. Frequency Characteristics:

(1) Frequency Response



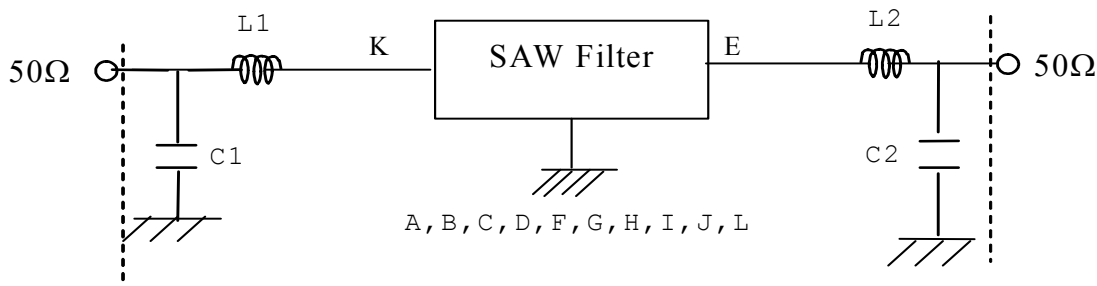
(2) Passband response and Group Delay Variation



D. Measurement Circuit:

Source and load impedance: 50 Ω

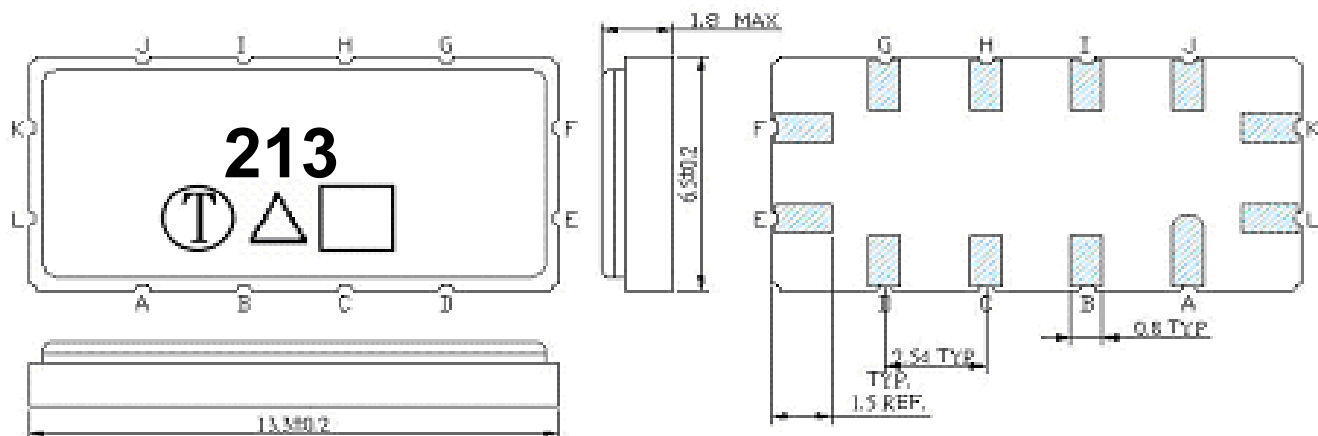
Network analyzer



Input: L1=220 nH, Q>40; C1=36 pF

Output: L2=220 nH, Q>40; C2=68 pF

E. Outline Drawing:



Unit: mm

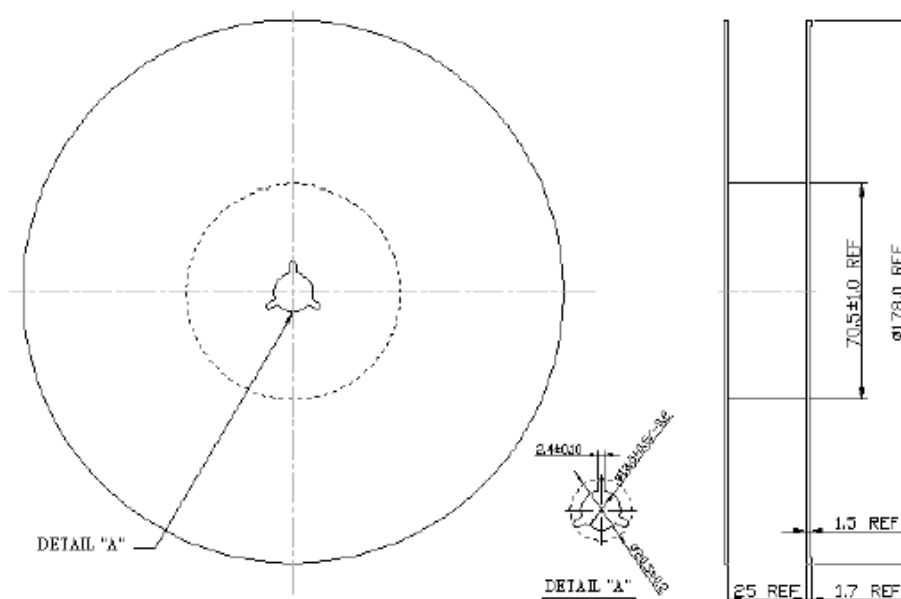
- Pin K: RF Input
- Pin E: RF Output
- Pin L: Input Ground
- Pin F: Output Ground
- Pin A, B, C, D, G, H, I, J: To be Ground
- : Date code
- △ : Product / Year Code

Year	2005 2009	2006 2010	2007 2011	2008 2012
Product Code	B	b	<u>B</u>	<u>b</u>

F.PACKING:

REEL DIMENSION:

(Reel Count: 7"=500 ; 13"=1000)



TAPE DIMENSION:

