

Fast Recovery Rectifier

FR601-G thru FR607-G (RoHS Device)

Voltage Range 50 to 1000 V

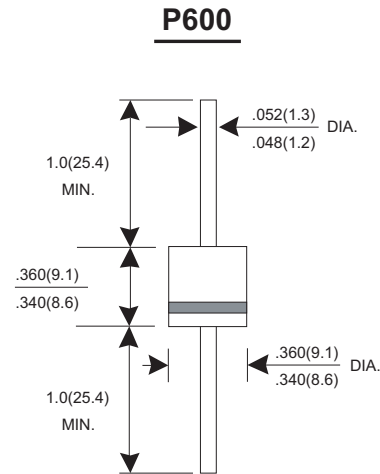
Current 6.0 Ampere

Features

- ★ Fast switching for high efficiency
- ★ Low forward voltage drop
- ★ High current capability
- ★ Low reverse leakage current
- ★ High surge current capability

Mechanical Data

- ★ Case: Molded plastic P600
- ★ Epoxy: UL 94V-0 rate flame retardant
- ★ Terminals: Solderable per MIL-STD-202 method 208
- ★ Polarity: Color band denotes cathode
- ★ Mounting position: Any
- ★ Weight: 2.1 grams



Dimensions in inches and (millimeters)

MAXIMUM RATINGS AND ELECTRICAL CHARACTERISTICS

Rating at 25°C ambient temperature unless otherwise specified.

Single phase, half wave, 60Hz, resistive or inductive load.

For capacitive load, derate current by 20%.

	SYMBOL	FR601 -G	FR602 -G	FR603 -G	FR604 -G	FR605 -G	FR606 -G	FR607 -G	UNIT
Maximum Recurrent Peak Reverse Voltage	V _{RRM}	50	100	200	400	600	800	1000	V
Maximum RMS Voltage	V _{RMS}	35	70	140	280	420	560	700	V
Maximum DC Blocking Voltage	V _{DC}	50	100	200	400	600	800	1000	V
Maximum Average Forward Rectified Current T _L =55°C	I _{F(AV)}	6.0							A
Peak Forward Surge Current, 8.3ms single Half sine-wave superimposed on rated load (JEDEC method)	I _{FSM}	300							A
Maximum Instantaneous Forward Voltage @ 6.0 A	V _F	1.3							V
Maximum DC Reverse Current @T _J =25°C At Rated DC Blocking Voltage @T _J =100°C	I _R	5.0 500							uA uA
Maximum Reverse Recovery Time (Note 1)	T _{rr}	150				250	500		nS
Typical junction Capacitance (Note 2)	C _J	100							pF
Maximum Thermal Resistance (Note 3)	R _{θJA}	55							°CW
Operating Junction and Storage Temperature Range	T _J , T _{STG}	-55 to + 125							°C

NOTES : (1) Reverse recovery test conditions I_F = 0.5A, I_R = 1.0A, I_{rr} = 0.25A.
 (2) Measured at 1.0 MHz and applied reverse voltage of 4.0 Volts DC.
 (3) Thermal Resistance junction to lead.

“-G” suffix designates RoHS compliant Version

Fast Recovery Rectifier

FR601-G thru FR607-G (RoHS Device)

RATINGS AND CHARACTERISTIC CURVES FR601-G THRU FR607-G

FIG.1 - FORWARD CURRENT DERATING CURVE

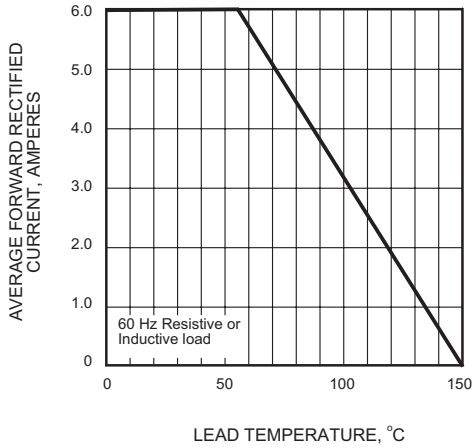


FIG.2 - MAXIMUM NON-REPETITIVE PEAK FORWARD SURGE CURRENT

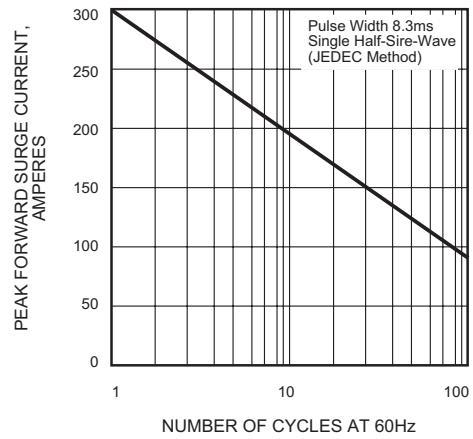


FIG.3 - TYPICAL INSTANTANEOUS FORWARD CHARACTERISTICS

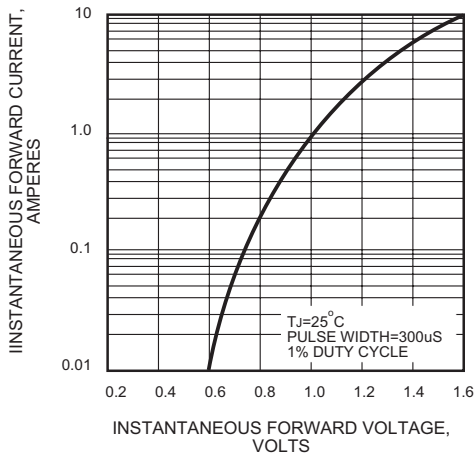


FIG.4 - TYPICAL REVERSE CHARACTERISTICS

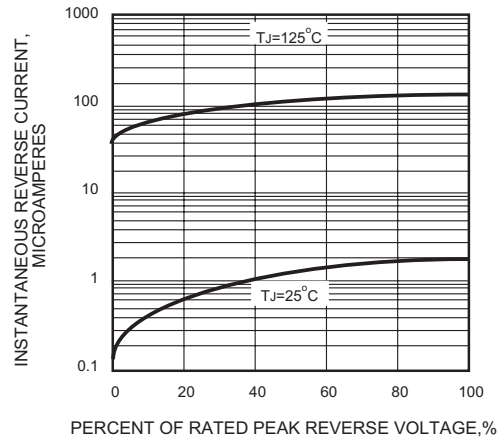
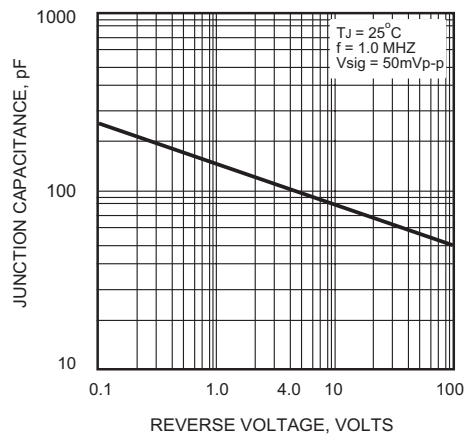


FIG.5 - TYPICAL JUNCTION CAPACITANCE



“-G” suffix designates RoHS compliant Version