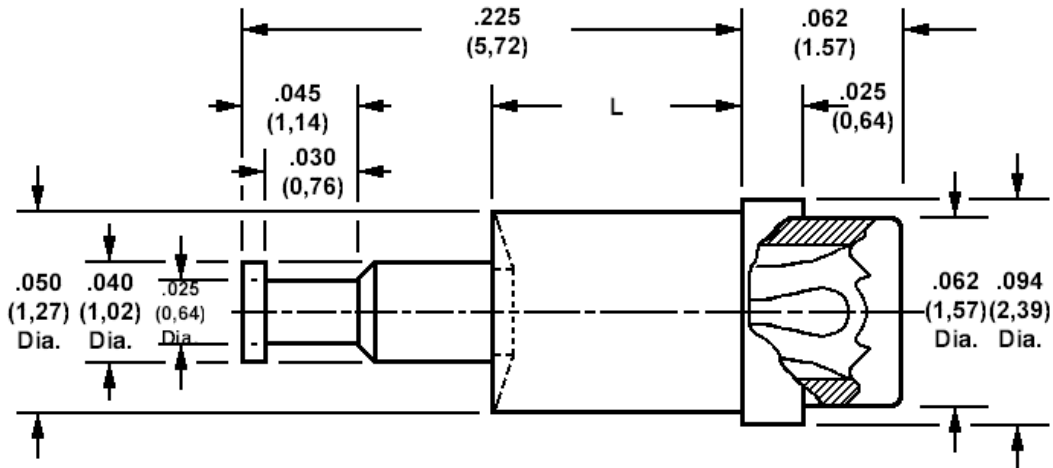


450-3266 Swage mount socket, for .016 (0,41) to .020 (0,51) diameter pins

Recommended mounting hole .076 (1,93) +.002 (0,05) -.001 (0,03)



Min hole depth .210 (5,33)

How to order code

450-3266-YY-XX-00

Basic Part No XX = Finish

DIMENSIONS		
Dash No. (YY)	L	Board Thickness
-01	.041 (1,04)	.031 (0,79)
-02	.072 (1,83)	.061 (1,57)
-03	.104 (2,64)	.094 (2,39)
-04	.135 (3,43)	.125 (3,18)

MATERIALS				
Component	Material	Finish(-03)	Finish(-04)	Finish(-06)
Body	Brass	Gold over Nickel	Tin	Tin
Spring	Beryllium copper	Gold over Nickel	Tin	Gold over Nickel

TOOLING	
Anvil	435-6411-01-00-00
Punch	435-6618-01-00-00