

*I _{RMS} 110 A	I _{TSM} 610 A	I ² t 2100 A ² sec	Outline 7
Type No.	V _{RRM}	V _{RSM}	
320/6	500	600	
320/8	700	800	
320	900	1000	
321	1000	1100	
322	1100	1200	
323	1200	1300	
V _{GT} = 3 V I _{GT} = 60 mA dv/dt = 300 V/μS dl/dt = 50 A/μS			

*I _{RMS} 135 A	I _{TSM} 760 A	I ² t 3200 A ² sec	Outline 7
Type No.	V _{RRM}	V _{RSM}	
520/6	500	600	
520/8	700	800	
520	900	1000	
521	1000	1100	
522	1100	1200	
523	1200	1300	
V _{GT} = 3.0 V I _{GT} = 60 mA dv/dt = 300 V/μS dl/dt = 100 A/μS			

*I _{RMS} 300 A	I _{TSM} 1500 A	I ² t 12.5 kA ² sec	Outline 9
Type No.	V _{RRM}	V _{RSM}	
1020/6	500	600	
1020/8	700	800	
1020	900	1000	
1021	1000	1100	
1022	1100	1200	
1023	1200	1300	
V _{GT} = 3.0 V I _{GT} = 100 mA dv/dt = 300 V/μS dl/dt = 50 A/μS			

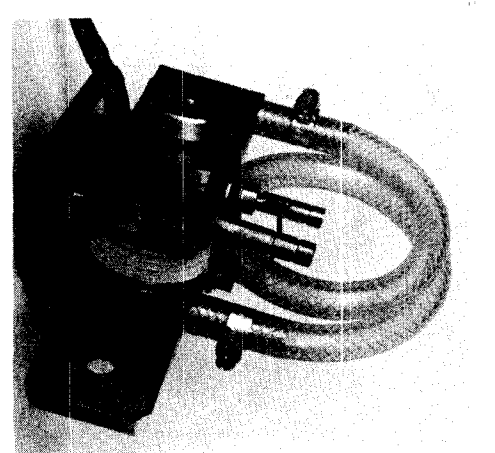
*I _{RMS} 400 A	I _{TSM} 2500 A	I ² t 31 kA ² sec	Outline 9
Type No.	V _{RRM}	V _{RSM}	
1030/6	500	600	
1030/8	700	800	
1030	900	1000	
1031	1000	1100	
1032	1100	1200	
1033	1200	1300	
V _{GT} = 3.0 V I _{GT} = 100 mA dv/dt = 300 V/μS dl/dt = 100 A/μS			

I _{RMSmax} 500 A (1 gall/min at 40°C)	I _{TSM} 2800 A	I ² t 39.2 kA ² sec	Outline 15
Type No.	V _{RRM}	V _{RSM}	
1820	900	1000	
1821	1000	1100	
1822	1100	1200	
1823	1200	1300	
1824	1300	1400	
1825	1400	1500	
1826	1500	1600	
1827	1600	1700	
V _{GT} = 3.5 V I _{GT} = 150 mA dv/dt = 300 V/μS dl/dt = 50 A/μS			

I _{RMS} 700 A (1 gall/min at 40°C)	I _{TSM} 3150 A	I ² t 50 kA ² sec	Outline 15
Type No.	V _{RRM}	V _{RSM}	
2120/6	500	600	
2120/7	600	700	
2120/8	700	800	
2120/9	800	900	
2120	900	1000	
2121	1000	1100	
2122	1100	1200	
2123	1200	1300	
V _{GT} = 3.5 V I _{GT} = 150 mA dv/dt = 300 V/μS dl/dt = 100 A/μS			

I _{RMSmax} 800 A (1 gall/min at 40°C)	I _{TSM} 6000 A	I ² t 180 A ² sec	Outline 15
Type No.	V _{RRM}	V _{RSM}	
2620/9	800	900	
2620	900	1000	
2621	1000	1100	
2622	1100	1200	
2623	1200	1300	
2624	1300	1400	
2625	1400	1500	
2626	1500	1600	
2627	1600	1700	
V _{GT} = 3.5 V I _{GT} = 150 mA dv/dt = 300 V/μS dl/dt = 100 A/μS			

15



Height overall 7 1/4 in (190.5 mm)
Width overall 4 3/8 in (111.0 mm)
Depth overall 7 in (177.8 mm)
Height excluding pipes 4 5/8 in (117.4 mm)
Bus bar holes 1/2 in (12.7 mm)
Fixing centres 1 3/8 in (44.45 mm)
8 mm Nutsert and 8 mm fixing bolt 20 mm long and single coil spring washer supplied
Water terminals 10 mm
Gate leads: twisted pairs 24 in long
Colours: Gate 1 blue, cathode 1 yellow
Gate 2 orange cathode 2 violet
Weight: Approx. 3 kg

* Rating is for inverse parallel pair of thyristors mounted on AEI or other approved heatsink.

I_{RMS} 1000 A (1 gall/min at 40°C)	I_{TSM} 5600 A	I²t 157 kA²sec	Outline 15
Type No.	V_{RRM}	V_{RSM}	
3654	1300	1400	
3655	1400	1500	
3656	1500	1600	
2657	1600	1700	
3658	1700	1800	
3659	1800	1900	
V_{GT} = 3.5 V I_{GT} = 150 mA dv/dt = 300 V/μS dl/dt = 100 A/μS			

I_{RMS} 1200 A (1 gall/min at 40°C)	I_{TSM} 7500 A	I²t 280 kA²sec	Outline 15
Type No.	V_{RRM}	V_{RSM}	
3620/6	500	600	
3620/7	600	700	
3620/8	700	800	
3620/9	800	900	
3620	900	1000	
3621	1000	1100	
3622	1100	1200	
3623	1200	1300	
3624	1300	1400	
3625	1400	1500	
3626	1500	1600	
V_{GT} = 3.5 V I_{GT} = 150 mA dv/dt = 300 V/μS dl/dt = 100 A/μS			

I_{RMS} 1700 A (1 gall/min at 40°C)	I_{TSM} 11 kA	I²t 610 kA²sec	Outline 15
Type No.	V_{RRM}	V_{RMS}	
4120/8	700	800	
4120/9	800	900	
4120	900	1000	
4121	1000	1100	
4122	1100	1200	
4123	1200	1300	
4124	1300	1400	
4125	1400	1500	
V_{GT} = 3.5 V I_{GT} = 150 mA dv/dt = 300 V/μS dl/dt = 100 A/μS			

