

PLEASE CHECK WWW.MOLEX.COM FOR LATEST PART INFORMATION

Part Number: [0395132006](#)
Status: **Active**
Description: 3.81mm (.150") Pitch Eurostyle™ Vertical Plug, Rear Wire Entry, 6 Circuits

Documents:

[3D Model](#) [Product Specification PS-39500-001 \(PDF\)](#)
[Drawing \(PDF\)](#) [RoHS Certificate of Compliance \(PDF\)](#)

General

Product Family	Terminal Blocks
Series	39513
Application	Wire-to-Board
Comments	Rear Wire Entry
Component Type	Plug
Product Literature Order No	USA-355
Product Name	ESE, Eurostyle™ Pluggable
Type	Euro Block

Physical

Circuits (Loaded)	6
Entry Angle	Horizontal
Lock to Mating Part	None
Number of Rows	1
Orientation	Vertical
Panel Mount	No
Pitch - Mating Interface (in)	0.150 In
Pitch - Mating Interface (mm)	3.81 mm
Polarized to Mating Part	Yes
Stackable	No
Temperature Range - Operating	-40°C to +105°C
Wire Size AWG	16, 18, 20, 22, 24, 26, 28, 30
Wire Size mm²	0.05 - 1.31

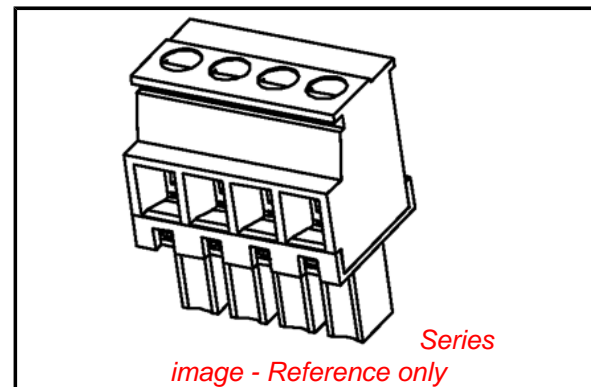
Electrical

Current - Maximum per Contact	8A
Voltage - Maximum	300V

Material Info

Reference - Drawing Numbers

Product Specification	PS-39500-001
Sales Drawing	SD-39513-002



EU RoHS

RoHS Compliant by Exemption

REACH SVHC

Not Reviewed

Halogen-Free

Status

Not Reviewed

China RoHS



Pb

Need more information on product environmental compliance?

Email productcompliance@molex.com
 For a multiple part number RoHS Certificate of Compliance, [click here](#)

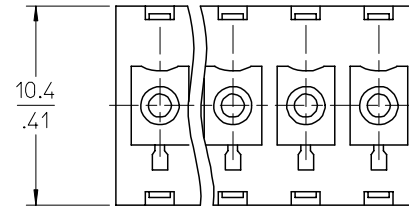
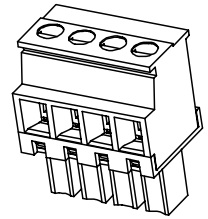
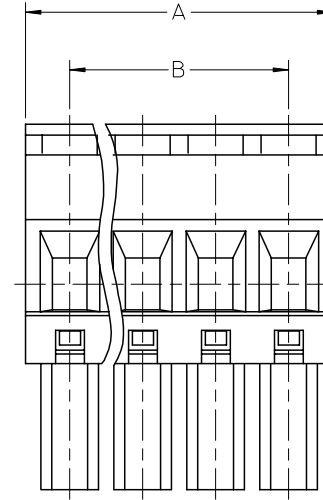
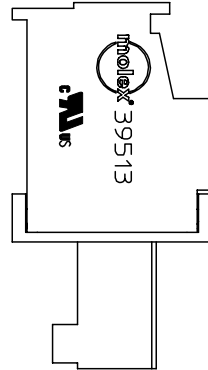
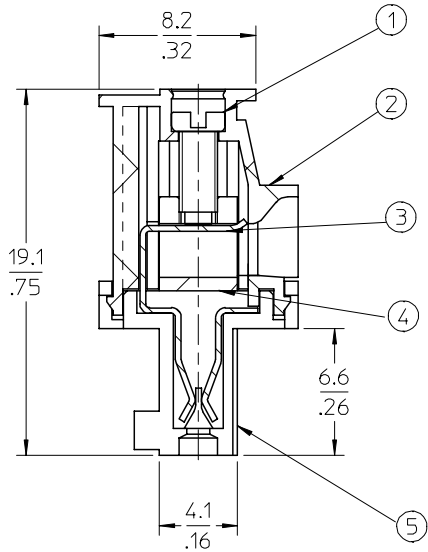
Please visit the [Contact Us](#) section for any non-product compliance questions.

Search Parts in this Series

[39513Series](#)

Mates With

Most 3.81mm (.150") Pitch Industry Standard PCB Headers, [39511](#) Vertical PCB Header, [39512](#) Horizontal PCB Header



SPECIFICATIONS:

1. Material:
 - (1). Screw: STEEL.
 - (2). Body: PA66
 - (3). Terminal: Brass
 - (4). Cage: Brass
 - (5). Cover: PA66
2. Wire range: 30 - 16AWG.
3. Electrical rating: 300V, 8A.
4. MAX TORQUE: 3 in-lbs.
5. Wire strip length: 5.00mm.
6. Operating temperature: -40C to +105C.
7. $A = (N \times P) + .79mm$.
8. $B = (N - 1) \times P$
9. $P = (Pitch) = 3.81mm (.150")$.
10. N = Number of positions available 2 through 20.
11. ASSEMBLY IS ROHS COMPLIANT.

EDIT TITLE EC NO: ETC2007-0459 DRWN: CLYORK 2007/06/21 CHKD: JMACNEIL 2007/06/22 APPR: JMACNEIL 2007/06/25	QUALITY SYMBOLS	GENERAL TOLERANCES (UNLESS SPECIFIED)	DIMENSION STYLE	SCALE	DESIGN UNITS	THIRD ANGLE PROJECTION															
	$\nabla=0$ $\sphericalangle=0$	<table border="1"> <thead> <tr> <th></th> <th>mm</th> <th>INCH</th> </tr> </thead> <tbody> <tr> <td>4 PLACES</td> <td>\pm---</td> <td>\pm.0015</td> </tr> <tr> <td>3 PLACES</td> <td>\pm0.038</td> <td>\pm.005</td> </tr> <tr> <td>2 PLACES</td> <td>\pm0.13</td> <td>\pm.01</td> </tr> <tr> <td>1 PLACE</td> <td>\pm0.3</td> <td>\pm---</td> </tr> </tbody> </table>		mm	INCH	4 PLACES	\pm ---	\pm .0015	3 PLACES	\pm 0.038	\pm .005	2 PLACES	\pm 0.13	\pm .01	1 PLACE	\pm 0.3	\pm ---	MM/IN	4:1	INCH	
		mm	INCH																		
	4 PLACES	\pm ---	\pm .0015																		
3 PLACES	\pm 0.038	\pm .005																			
2 PLACES	\pm 0.13	\pm .01																			
1 PLACE	\pm 0.3	\pm ---																			
	DRAWN BY: LROTHAUS 2005/12/06 CHECKED BY: C. YORK 2006/01/06 APPROVED BY: J. PAWLICKI 2006/01/10	TITLE	3.81MM, EURO TERM BLOCK VERTICAL, PLUG, REAR WIRE ENTRY																		
REV	DESCRIPTION	DRAFT WHERE APPLICABLE MUST REMAIN WITHIN DIMENSIONS	MATERIAL NO. SEE SHT. 2	DOCUMENT NO. SD-39513-002	MOLEX INCORPORATED SHEET NO. 1 OF 2																

Circuit size	Material Numbers												Dimensional Information			
	Black						Green									
	100% Tin			30 u" Gold			100% Tin			30 u" Gold			Dim. A		Dim B	
	Printing Options			Printing Options			Printing Options			Printing Options						
None	10AV	11AV	None	10AV	11AV	None	10AV	11AV	None	10AV	11AV	mm	inch	mm	inch	
2	395132002	395132302	395132402	395132502	395132802	395132902	395137002	395137302	395137402	395137502	395137802	395137902	8.41	0.331	3.81	0.150
3	395132003	395132303	395132403	395132503	395132803	395132903	395137003	395137303	395137403	395137503	395137803	395137903	12.22	0.481	7.62	0.300
4	395132004	395132304	395132404	395132504	395132804	395132904	395137004	395137304	395137404	395137504	395137804	395137904	16.03	0.631	11.43	0.450
5	395132005	395132305	395132405	395132505	395132805	395132905	395137005	395137305	395137405	395137505	395137805	395137905	19.84	0.781	15.24	0.600
6	395132006	395132306	395132406	395132506	395132806	395132906	395137006	395137306	395137406	395137506	395137806	395137906	23.65	0.931	19.05	0.750
7	395132007	395132307	395132407	395132507	395132807	395132907	395137007	395137307	395137407	395137507	395137807	395137907	27.46	1.081	22.86	0.900
8	395132008	395132308	395132408	395132508	395132808	395132908	395137008	395137308	395137408	395137508	395137808	395137908	31.27	1.231	26.67	1.050
9	395132009	395132309	395132409	395132509	395132809	395132909	395137009	395137309	395137409	395137509	395137809	395137909	35.08	1.381	30.48	1.200
10	395132010	395132310	395132410	395132510	395132810	395132910	395137010	395137310	395137410	395137510	395137810	395137910	38.89	1.531	34.29	1.350
11	395132011	395132311	395132411	395132511	395132811	395132911	395137011	395137311	395137411	395137511	395137811	395137911	42.70	1.681	38.10	1.500
12	395132012	395132312	395132412	395132512	395132812	395132912	395137012	395137312	395137412	395137512	395137812	395137912	46.51	1.831	41.91	1.650
13	395132013	395132313	395132413	395132513	395132813	395132913	395137013	395137313	395137413	395137513	395137813	395137913	50.32	1.981	45.72	1.800
14	395132014	395132314	395132414	395132514	395132814	395132914	395137014	395137314	395137414	395137514	395137814	395137914	54.13	2.131	49.53	1.950
15	395132015	395132315	395132415	395132515	395132815	395132915	395137015	395137315	395137415	395137515	395137815	395137915	57.94	2.281	53.34	2.100
16	395132016	395132316	395132416	395132516	395132816	395132916	395137016	395137316	395137416	395137516	395137816	395137916	61.75	2.431	57.15	2.250
17	395132017	395132317	395132417	395132517	395132817	395132917	395137017	395137317	395137417	395137517	395137817	395137917	65.56	2.581	60.96	2.400
18	395132018	395132318	395132418	395132518	395132818	395132918	395137018	395137318	395137418	395137518	395137818	395137918	69.37	2.731	64.77	2.550
19	395132019	395132319	395132419	395132519	395132819	395132919	395137019	395137319	395137419	395137519	395137819	395137919	73.18	2.881	68.58	2.700
20	395132020	395132320	395132420	395132520	395132820	395132920	395137020	395137320	395137420	395137520	395137820	395137920	76.99	3.031	72.39	2.850

SEE SHEET 1 EC NO: ETC2007-0459 DRWN: CLYORK 2007/06/21 CHKD: JMACNEIL 2007/06/22 APPR: JMACNEIL 2007/06/25	QUALITY SYMBOLS ▽=0 ▽=0	GENERAL TOLERANCES (UNLESS SPECIFIED)		DIMENSION STYLE		SCALE	DESIGN UNITS	THIRD ANGLE PROJECTION
				MM/IN		4:1	INCH	
				DRAWN BY DATE		TITLE		
				CHECKED BY DATE		MOLEX INCORPORATED		
		APPROVED BY DATE		DOCUMENT NO.		SHEET NO.		
		ANGULAR ± 2 °		SEE CHART		2 OF 2		
		DRAFT WHERE APPLICABLE MUST REMAIN WITHIN DIMENSIONS		THIS DRAWING CONTAINS INFORMATION THAT IS PROPRIETARY TO MOLEX INCORPORATED AND SHOULD NOT BE USED WITHOUT WRITTEN PERMISSION				