

Ports	8
Surface Mount Compatible (SMC)	Yes
Temperature Range - Operating	-40°C to +85°C
Termination Interface: Style	Through Hole - Compliant Pin
Waterproof / Dustproof	No

Electrical

Current - Maximum per Contact	0.5A
Shield Type	EMI Fingers
Shielded	Yes
Voltage - Maximum	120V AC (RMS)/DC

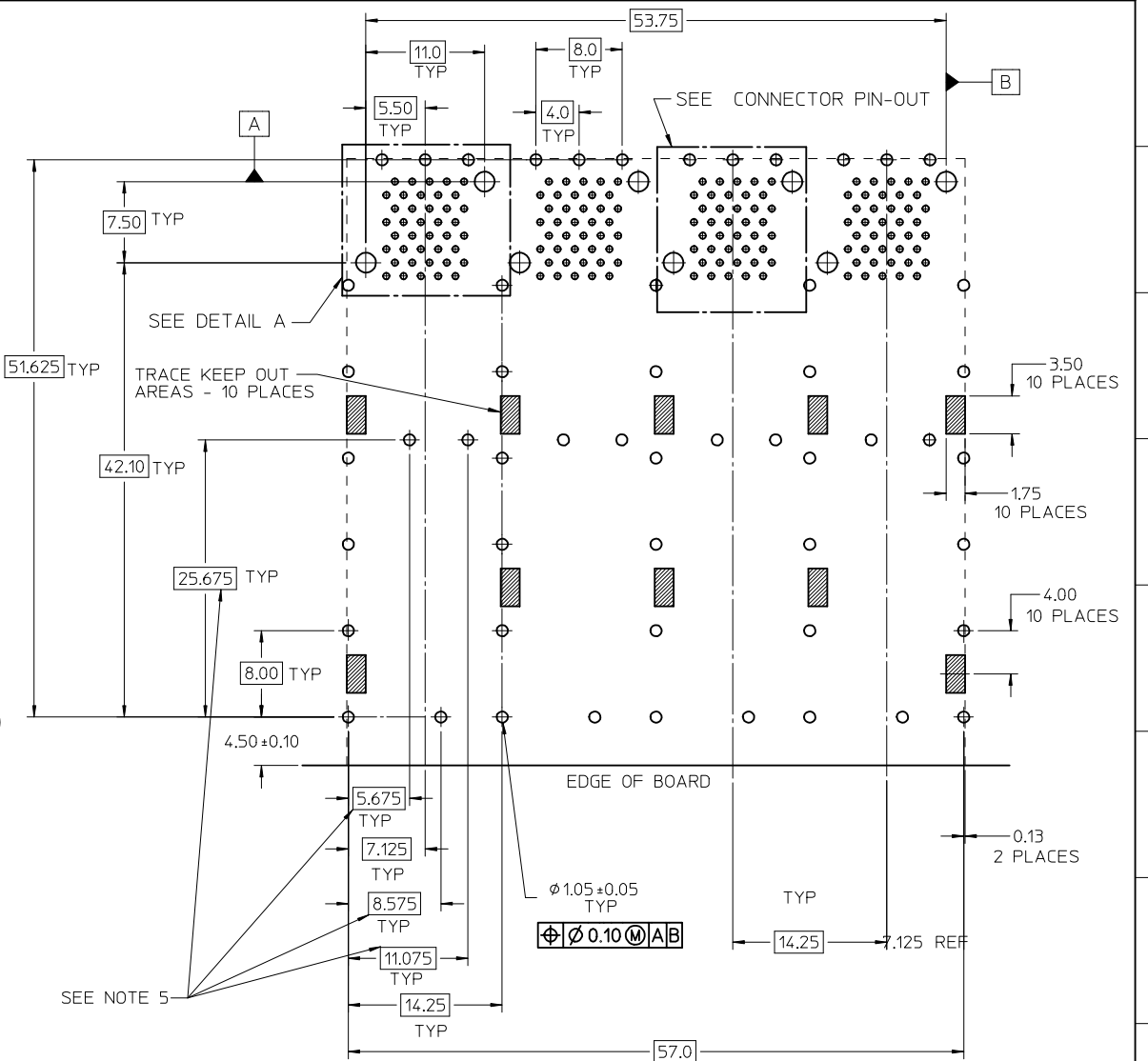
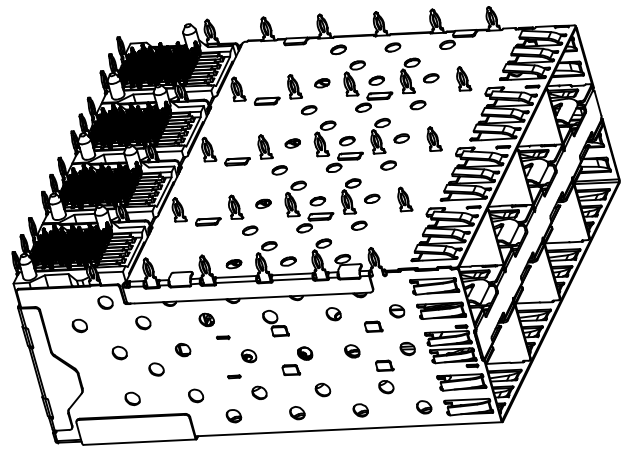
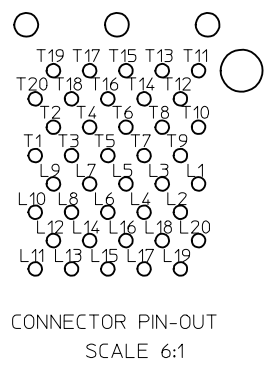
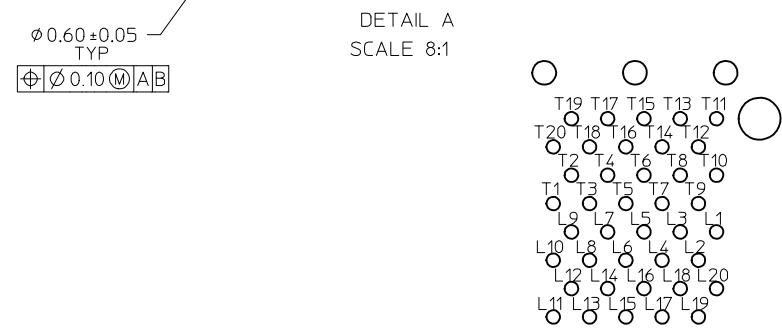
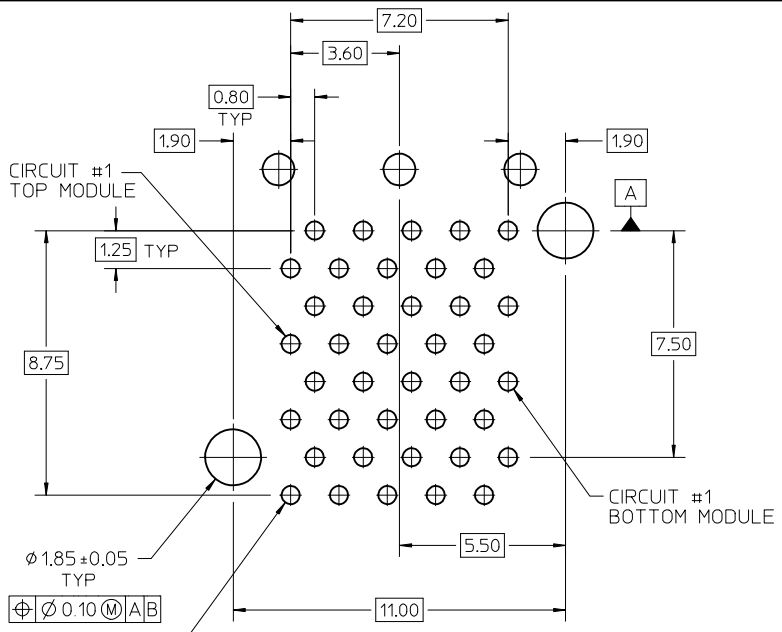
Material Info

Reference - Drawing Numbers

Application Specification	AS-75310-001
Packaging Specification	PK-75450-001
Sales Drawing	SD-75454-001

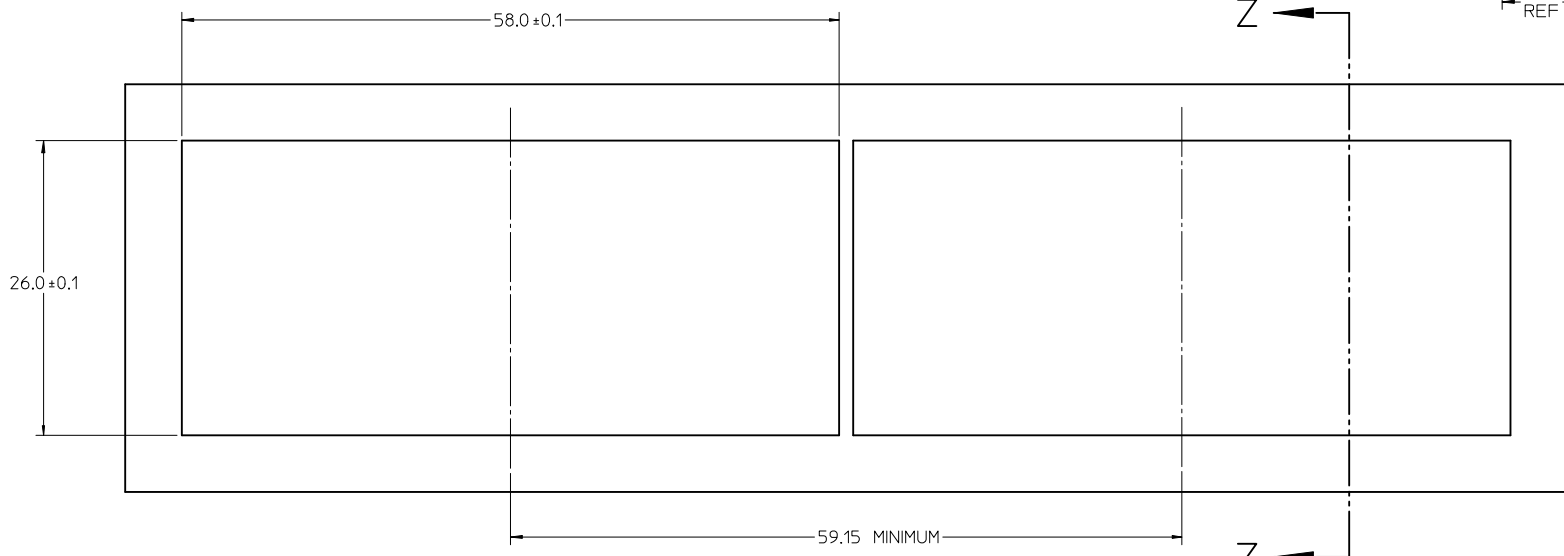
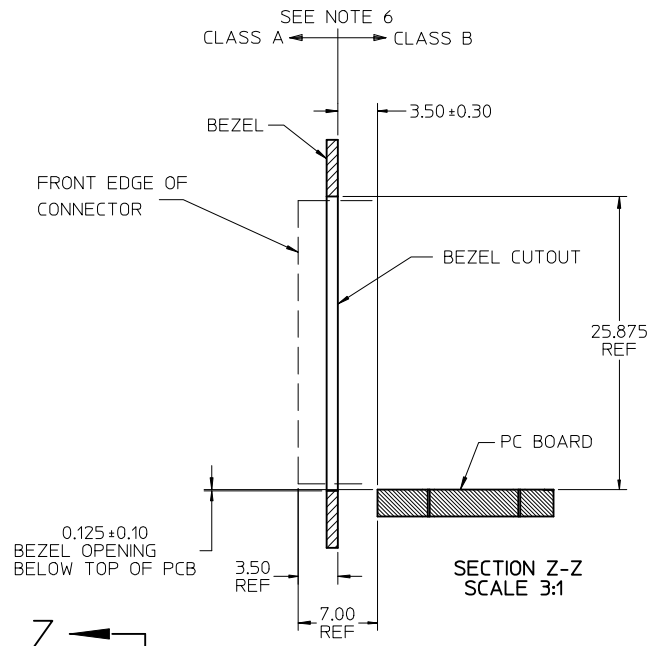
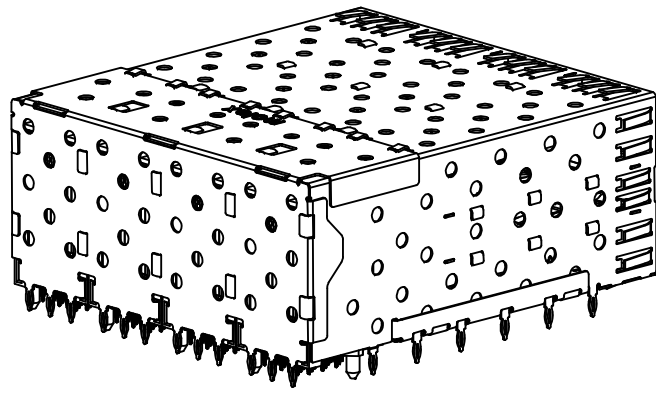
This document was generated on 05/28/2010

PLEASE CHECK WWW.MOLEX.COM FOR LATEST PART INFORMATION



RECOMMENDED PCB LAYOUT - COMPONENT SIDE
 RECOMMENDED PCB THICKNESS - 2.36 MM (.093 INCH)
 THE ENTIRE AREA OF THE CONNECTOR FOOTPRINT
 TO BE CONSIDERED THE KEEP OUT AREA FOR COMPONENTS
 THIS AREA IS INDICATED BY THE DASHED LINE

ADD KEEP OUT ZONES EC NO: UCP2010-0369 DRWN:MS BARRA 2009/06/11 CHYD:HBARKER 2009/08/26 APPR:SMILLER 2009/08/27	QUALITY SYMBOLS ▽=0 ▽=0	GENERAL TOLERANCES (UNLESS SPECIFIED)		DIMENSION STYLE MM ONLY		SCALE 3:1	DESIGN UNITS METRIC	THIRD ANGLE PROJECTION	
		mm	INCH	DRAWN BY	DATE	TITLE STACKED SFP 2X4 MEDIUM HEIGHT ASS'Y, PRESS-FIT TAIL WITHOUT LIGHT PIPES			
		4 PLACES ± ---	± ---	JLONG	02-04-2004	MOLEX INCORPORATED			
		3 PLACES ± ---	± ---	CHECKED BY	DATE	DOCUMENT NO. SD-75454-001			
2 PLACES ± 0.13	± ---	APPROVED BY		DATE	SHEET NO. 2 OF 3				
1 PLACE ± 0.25	± ---	KREGNIER		04-28-2004	THIS DRAWING CONTAINS INFORMATION THAT IS PROPRIETARY TO MOLEX INCORPORATED AND SHOULD NOT BE USED WITHOUT WRITTEN PERMISSION				
ANGULAR ± 5 °		DRAFT WHERE APPLICABLE MUST REMAIN WITHIN DIMENSIONS		SEE TABLE					



BEZEL CUTOUT CENTER SPACING DETAIL
BEZEL THICKNESS 0.8 - 2.6

SEE SHEET 1 EC NO: UCP2010-0369 DRW:MSIBARRA 2009/06/11 CHK:DBARKER 2009/08/26 APPR:SMILLER 2009/08/27	QUALITY SYMBOLS ▽=0 ▽=0	GENERAL TOLERANCES (UNLESS SPECIFIED)		DIMENSION STYLE MM ONLY	SCALE 3:1	DESIGN UNITS METRIC	THIRD ANGLE PROJECTION	
		mm	INCH	DRAWN BY JLONG	DATE 02-04-2004	TITLE STACKED SFP 2X4 MEDIUM HEIGHT ASS'Y, PRESS-FIT TAIL WITHOUT LIGHT PIPES		
		4 PLACES ± ---	± ---	CHECKED BY KREGNIER	DATE 02-27-2004	MATERIAL NO. SD-75454-001		
		3 PLACES ± ---	± ---	APPROVED BY KREGNIER	DATE 04-28-2004	DOCUMENT NO.	SHEET NO. 3 OF 3	
		2 PLACES ± 0.13	± ---	MOLEX INCORPORATED THIS DRAWING CONTAINS INFORMATION THAT IS PROPRIETARY TO MOLEX INCORPORATED AND SHOULD NOT BE USED WITHOUT WRITTEN PERMISSION				
		1 PLACE ± 0.25	± ---	DRAFT WHERE APPLICABLE MUST REMAIN WITHIN DIMENSIONS				
		ANGULAR ± 5 °		SEE TABLE				