

**PLEASE CHECK WWW.MOLEX.COM FOR LATEST PART INFORMATION**

**Part Number:** **0878240015**  
**Status:** **Active**  
**Description:** 1.27mm (.050") Signal Pitch, 0.80mm (.031") SCSI Pitch, 1.27mm (.050") Power Pitch SAS Receptacle, Vertical, Surface Mount, with Surface Mount Solder Tab, 2.54mm (.100") PCB Thickness, 29 Circuits, with Cap, Embossed Tape on Reel, Leadfree

**Documents:**

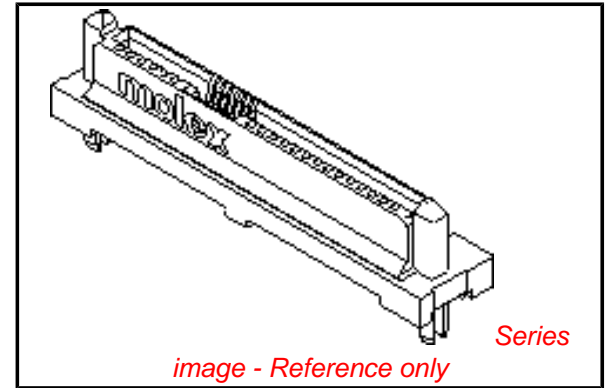
[3D Model](#) [Product Specification PS-87824-029 \(PDF\)](#)  
[Drawing \(PDF\)](#) [RoHS Certificate of Compliance \(PDF\)](#)

**General**

Product Family	I/O Connectors
Series	87824
Application	Board-to-Board
Comments	<LI>With Pick-and-Place Cap
Component Type	Receptacle
Product Name	SAS
Type	N/A

**Physical**

Boot Color	N/A
Circuits (Loaded)	29
Circuits (maximum)	29
Circuits Detail	Signal 7, SCSI 7, Power 15
Color - Resin	Black
Durability (mating cycles max)	500
Gender	Female
Keying to Mating Part	Yes
Lock to Mating Part	None
Material - Metal	Brass, Phosphor Bronze
Material - Plating Mating	Gold
Material - Plating Termination	Tin
Number of Rows	2
Orientation	Vertical
PC Tail Length (in)	0.000 In
PC Tail Length (mm)	0.00 mm
PCB Locator	Yes
PCB Retention	Yes
PCB Thickness Recommended (in)	0.100 In
PCB Thickness Recommended (mm)	2.54 mm
Packaging Type	Embossed Tape on Reel
Panel Mount	Yes
Pitch - Mating Interface (in)	0.031 In, 0.050 In
Pitch - Mating Interface (mm)	0.80 mm, 1.27 mm
Pitch - Term. Interface (in)	0.031 In, 0.050 In
Pitch - Term. Interface (mm)	0.80 mm, 1.27 mm
Plating min: Mating (µin)	30
Plating min: Mating (µm)	0.76
Plating min: Termination (µin)	102
Plating min: Termination (µm)	2.54
Polarized to Mating Part	Yes
Polarized to PCB	Yes
Surface Mount Compatible (SMC)	N/A
Temperature Range - Operating	0°C to +55°C
Termination Interface: Style	Surface Mount
Waterproof / Dustproof	No



**EU RoHS**

**ELV and RoHS  
Compliant**  
**REACH SVHC**  
 Not Reviewed  
**Halogen-Free  
Status**

**China RoHS**



**Need more information on product  
environmental compliance?**

Email [productcompliance@molex.com](mailto:productcompliance@molex.com)  
 For a multiple part number RoHS Certificate of Compliance, [click here](#)

Please visit the [Contact Us](#) section for any non-product compliance questions.

**Search Parts in this Series**

87824Series

**Mates With**

SFF-8482 Hard Disk Drive and Backplane Plug. [87679](#) Serial ATA Device Plug with Latch. [87703](#) Serial ATA Device Plug without Jumper. [87799](#) Serial ATA Device Plug with Jumper

Wire Size AWG N/A

**Electrical**

Current - Maximum per Contact 1.5A

Shielded No

Voltage - Maximum 30V

**Solder Process Data**

Duration at Max. Process Temperature (seconds) 10

Lead-free Process Capability Reflow Capable (SMT only)

Max. Cycles at Max. Process Temperature 1

Process Temperature max. C 260

**Material Info**

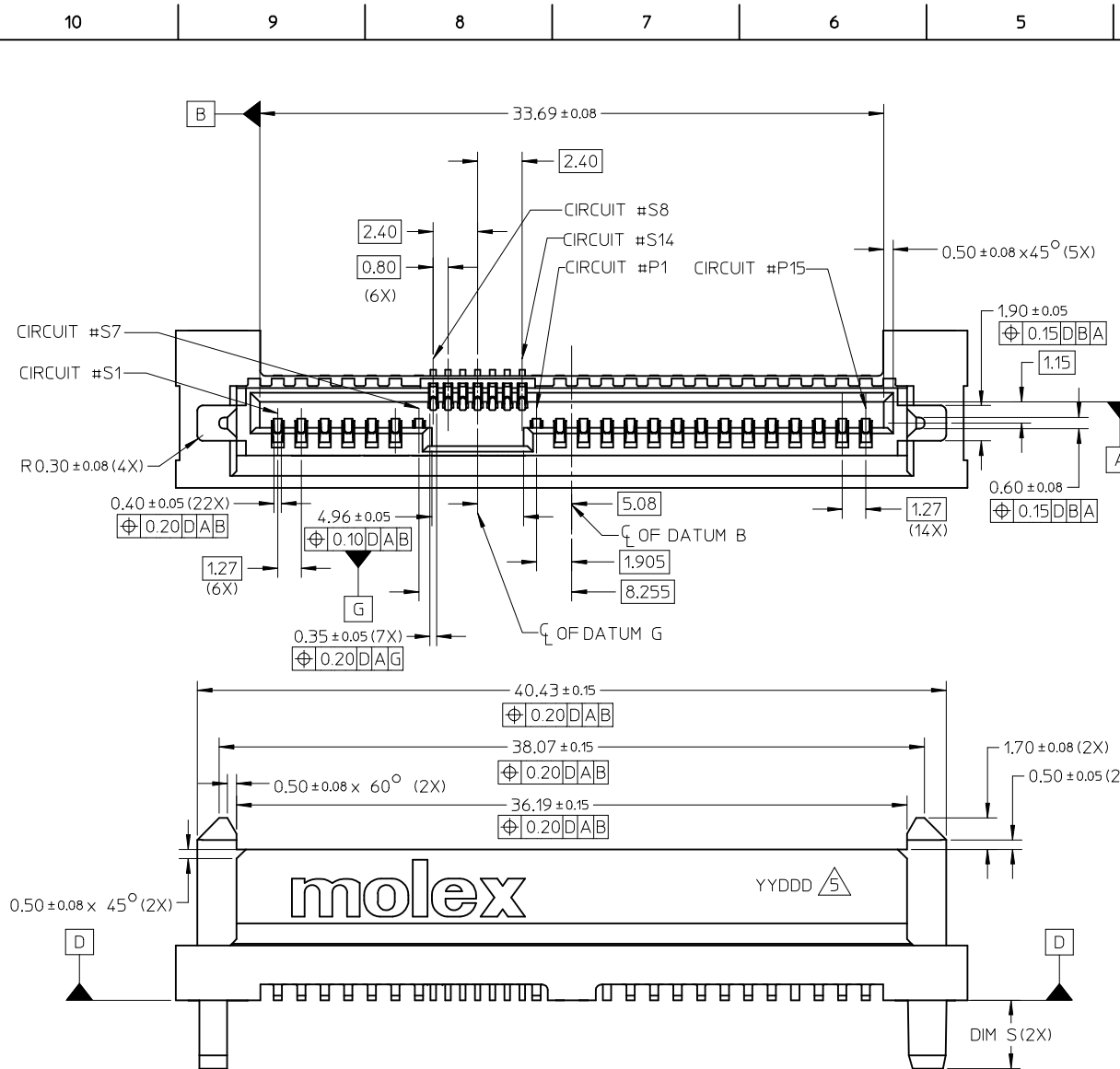
**Reference - Drawing Numbers**

Product Specification PS-87824-029

Sales Drawing SD-87824-031

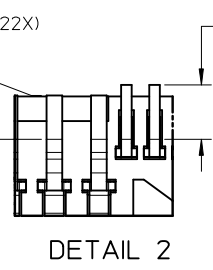
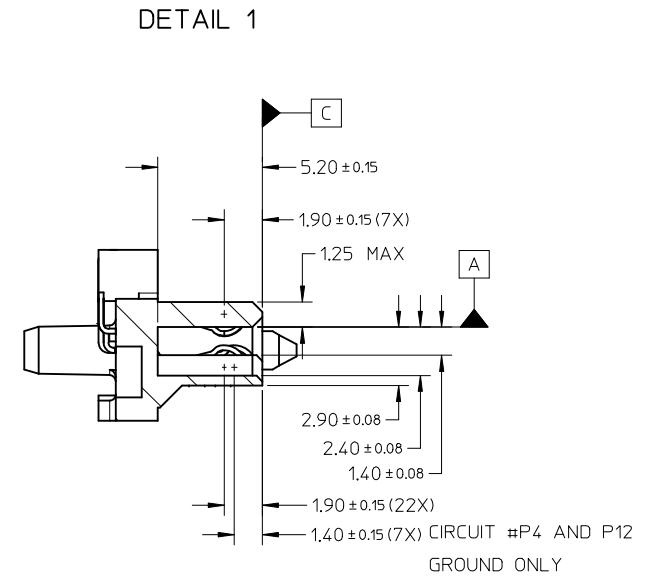
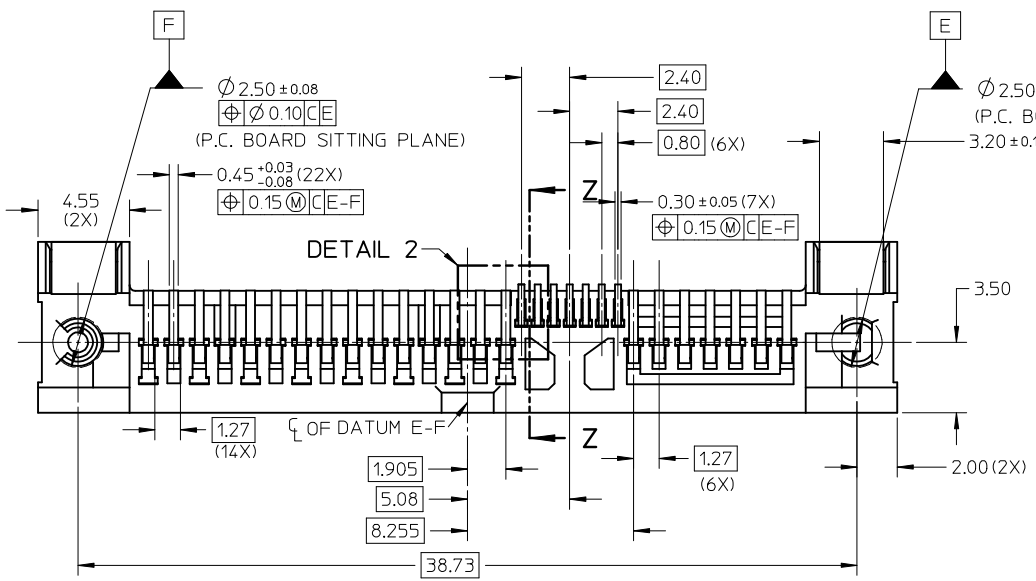
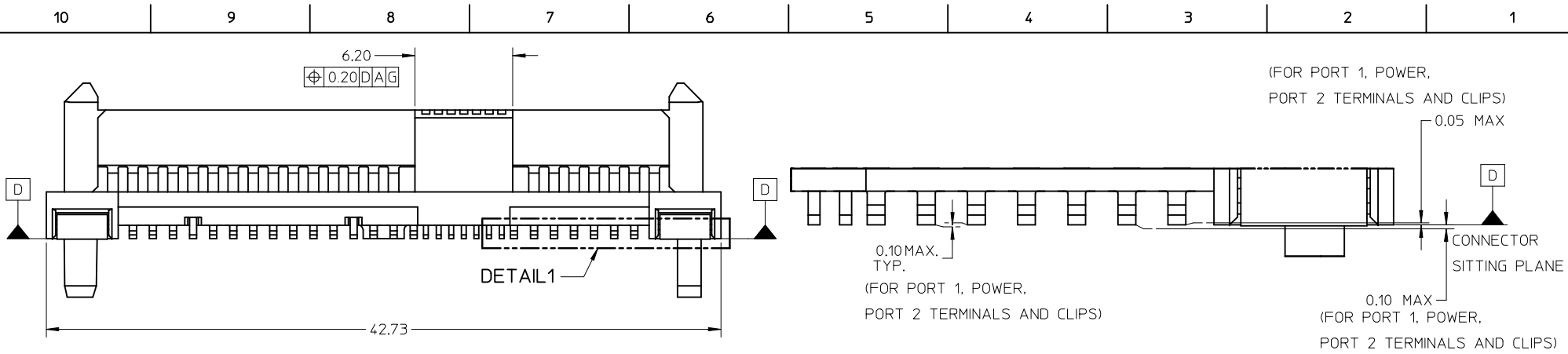
This document was generated on 04/09/2010

**PLEASE CHECK [WWW.MOLEX.COM](http://WWW.MOLEX.COM) FOR LATEST PART INFORMATION**



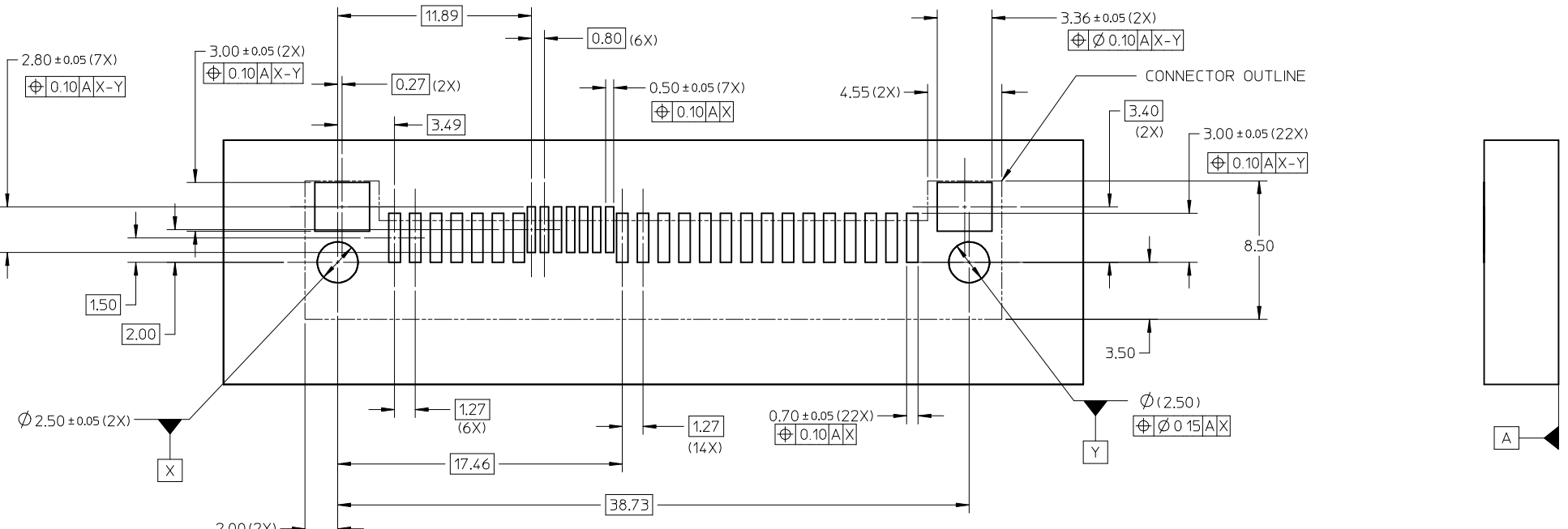
- NOTES:
- MATERIAL: LIQUID CRYSTALLINE POLYMER (LCP), GLASS FILLED, UL 94V-0  
COLOR: BLACK  
TERMINAL: COPPER ALLOY
  - PLATING:  
CONTACT:  $0.76 \mu\text{m}$  MIN. SELECTIVE GOLD OVER  $1.27 \mu\text{m}$  MIN. NICKEL UNDERPLATE  
SOLDERTAIL:  $2.54 \mu\text{m}$  MIN. TIN OVER  $1.27 \mu\text{m}$  MIN. NICKEL UNDERPLATE
  - MOLEX LOGO LOCATED APPROXIMATELY AS SHOWN
  - PACKAGING: SEE TABLE
  - DATE CODE TO BE LOCATED APPROXIMATELY AS SHOWN.
  - PRODUCT IS COMPLIANT TO RoHS DIRECTIVE WITH THE FOLLOWING BANNED SUBSTANCES - LEAD, MERCURY, CADMIUM, HEXAVALENT CHROMIUM, POLYBROMINATED BIPHENYLS AND POLYBROMINATED DIPHENYL ETHERS.
  - PRODUCT SPECIFICATION PS-87824-029 APPLIES.
  - MATES WITH: SFF-8482 PLUG  
SATA PLUG SERIES: 87679, 87703, 87799

REVISED EC NO: S2009-0197 DRW: KHLIM CHK: CGOH APPR: BOKOK 2008/09/15 2008/09/16 2008/09/16	QUALITY SYMBOLS 	GENERAL TOLERANCES (UNLESS SPECIFIED)		DIMENSION STYLE <b>MM ONLY</b>	SCALE <b>NTS</b>	DESIGN UNITS <b>METRIC</b>	THIRD ANGLE PROJECTION		
		4 PLACES ± --- ± ---	3 PLACES ± --- ± ---	2 PLACES ± 0.20 ± ---	1 PLACE ± --- ± ---	DRAWN BY KHLIM	DATE 2005/07/07	TITLE <b>SERIAL ATTACH SCSI          STD HEIGHT BACKPLANE SMT          RECEPT (WITH SOLDER TAB)</b>	
		ANGULAR ± 3 °		DRAFT WHERE APPLICABLE MUST REMAIN WITHIN DIMENSIONS		CHECKED BY SHFONG	DATE 2005/07/15	MOLEX MOLEX INCORPORATED	
		SEE TABLE		MATERIAL NO.		APPROVED BY SKTOH		DATE 2005/07/15	DOCUMENT NO. <b>SD-87824-031</b>

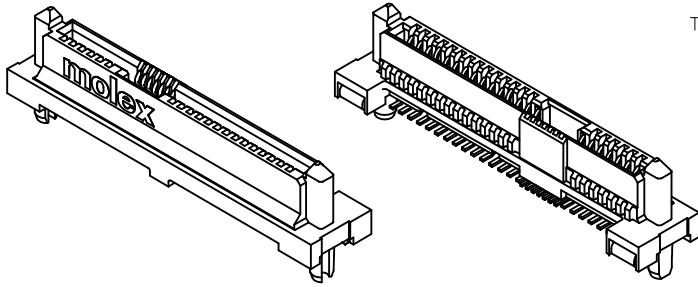


<b>REVISED</b> EC NO: S2009-0197 DRW:KHLIM 2008/09/15 CHKD:LG0H 2008/09/16 APPR:BOKOK 2008/09/16 A	QUALITY SYMBOLS $\nabla = 0$ $\sphericalangle = 0$	GENERAL TOLERANCES (UNLESS SPECIFIED)		DIMENSION STYLE <b>MM ONLY</b>	SCALE <b>NTS</b>	DESIGN UNITS <b>METRIC</b>	THIRD ANGLE PROJECTION
		4 PLACES $\pm$ --- $\pm$ --- 3 PLACES $\pm$ --- $\pm$ --- 2 PLACES $\pm 0.20$ $\pm$ --- 1 PLACE $\pm$ --- $\pm$ ---	mm INCH DRAWN BY: KHLIM CHECKED BY: SHFONG APPROVED BY: SKTOH MATERIAL NO.	DATE: 2005/07/07 DATE: 2005/07/15 DATE: 2005/07/15	TITLE <b>SERIAL ATTACH SCSI          STD HEIGHT BACKPLANE SMT          RECEPT (WITH SOLDER TAB)</b>		
		ANGULAR $\pm 3^\circ$	SEE TABLE	MOLEX INCORPORATED DOCUMENT NO.	SHEET NO. 2 OF 4		
		DRAFT WHERE APPLICABLE MUST REMAIN WITHIN DIMENSIONS	THIS DRAWING CONTAINS INFORMATION THAT IS PROPRIETARY TO MOLEX INCORPORATED AND SHOULD NOT BE USED WITHOUT WRITTEN PERMISSION				

PART NO	PACKAGING	QUANTITY	PICK & PLACE CAP	DIM S (2X) PEG HEIGHT	PCB THICKNESS
87824-0004	TRAY	50/TRAY	YES	3.70	4.57±0.10
87824-0008	TRAY	30/TRAY	NO	3.70	4.57±0.10
87824-0010	TAPE AND REEL	350/REEL	YES	3.70	4.57±0.10
87824-0013	TRAY	50/TRAY	YES	2.00	2.54±0.10
87824-0014	TRAY	30/TRAY	NO	2.00	2.54±0.10
87824-0015	TAPE AND REEL	350/REEL	YES	2.00	2.54±0.10

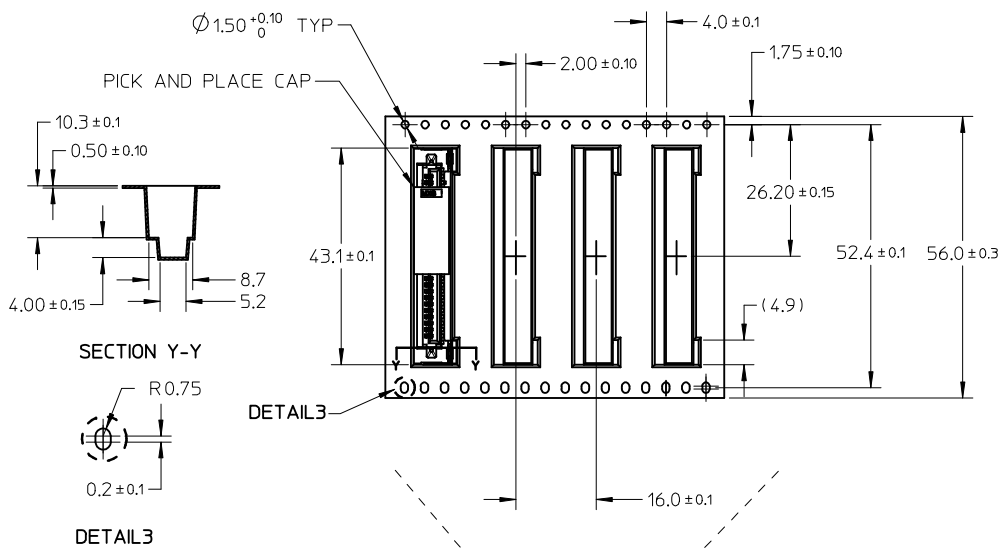


RECOMMENDED PCB LAYOUT  
THICKNESS: SEE TABLE



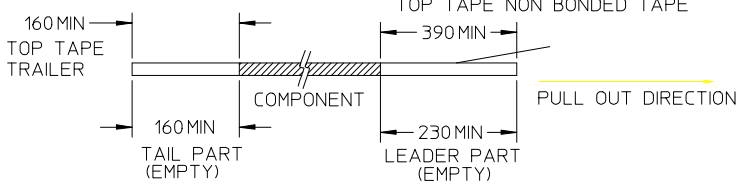
REVISED EC NO: S2009-0197 DRWN: KHLIM CHKD: CGOH APPR: BOKOK	DESCRIPTION REV	QUALITY SYMBOLS ▽=0 ◻=0	GENERAL TOLERANCES (UNLESS SPECIFIED)		DIMENSION STYLE MM ONLY	SCALE NTS	DESIGN UNITS METRIC	THIRD ANGLE PROJECTION
		4 PLACES ± --- ± --- 3 PLACES ± --- ± --- 2 PLACES ± 0.20 ± --- 1 PLACE ± --- ± --- ANGULAR ± 3 °	mm INCH	DRAWN BY KHLIM	DATE 2005/07/07	TITLE SERIAL ATTACH SCSI STD HEIGHT BACKPLANE SMT RECEPT (WITH SOLDER TAB)		
					APPROVED BY SKTOH	DATE 2005/07/15	MATERIAL NO. SEE TABLE	
							DOCUMENT NO. SD-87824-031	
							SHEET NO. 3 OF 4	

TAPE AND REEL PACKAGING

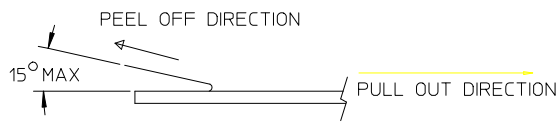


NOTES:

1. LEADER AND TRAILER TAPE

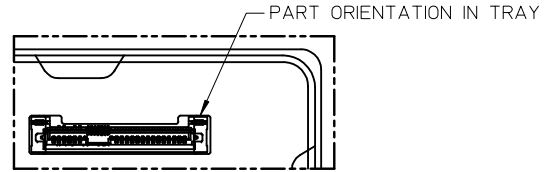
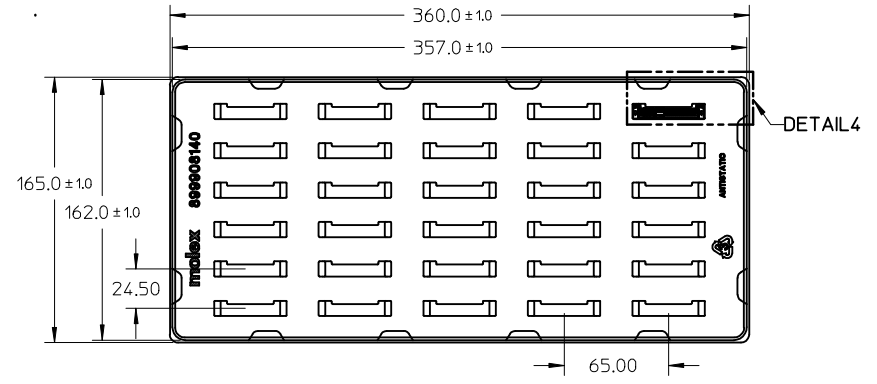


2. PEELING OFF FORCE OF THE TOP TAPE: 80gf MAX.  
(PEELING DIRECTION AS SHOWN IN FOLLOWING FIGURE)



- 3. PACKAGING QTY: 350 PCS/REEL
- 4. PACKAGING STANDARD IS AS PER EIA-481.
- 5. CONNECTOR COMES WITH PICK AND PLACE CAP.

TRAY PACKAGING



- NOTES:
- 1. PACKAGING QTY: 30PCS/TRAY
  - 2. NO PICK AND PLACE CAP

DETAIL4

REVISED EC NO: S2009-0197 DRW:KHLIM CHKD:CGOH APPR:BOKOK 2008/09/15 2008/09/16 2008/09/16	DESCRIPTION REV	QUALITY SYMBOLS	GENERAL TOLERANCES (UNLESS SPECIFIED)	DIMENSION STYLE	SCALE	DESIGN UNITS	THIRD ANGLE PROJECTION
		$\nabla=0$ $\sphericalangle=0$	mm    INCH	MM ONLY	NTS	METRIC	
		4 PLACES ± --- ± ---	DRAWN BY: KHLIM    DATE: 2005/07/07	TITLE	SERIAL ATTACH SCSI STD HEIGHT BACKPLANE SMT RECEPT (WITH SOLDER TAB)		
		3 PLACES ± --- ± ---	CHECKED BY: SHFONG    DATE: 2005/07/15	MOLEX INCORPORATED			
		2 PLACES ± 0.20 ± ---	APPROVED BY: SKTOH    DATE: 2005/07/15	MATERIAL NO.	DOCUMENT NO.	SHEET NO.	
1 PLACE ± --- ± ---	ANGULAR ± 3 °	SEE TABLE	SD-87824-031	4 OF 4			
DRAFT WHERE APPLICABLE MUST REMAIN WITHIN DIMENSIONS		SIZE: A3	THIS DRAWING CONTAINS INFORMATION THAT IS PROPRIETARY TO MOLEX INCORPORATED AND SHOULD NOT BE USED WITHOUT WRITTEN PERMISSION				