

**PLEASE CHECK WWW.MOLEX.COM FOR LATEST PART INFORMATION**

**Part Number:** [0351510214](#)  
**Status:** **Active**  
**Overview:** [versablade](#)  
**Description:** 6.20mm (.244") Pitch Wire-to-Wire VersaBlade™ Hybrid Receptacle Housing, 2 Circuits, Polyester UL94V-0, Blue

**Documents:**

<a href="#">3D Model</a>	<a href="#">Product Specification PS-35524-001 (PDF)</a>
<a href="#">Drawing (PDF)</a>	<a href="#">RoHS Certificate of Compliance (PDF)</a>
<a href="#">Product Specification PS-35150-001 (PDF)</a>	

**Agency Certification**

CSA	LR19980
TUV	R72090206
UL	E29179

**General**

Product Family	Crimp Housings
Series	<a href="#">35151</a>
Comments	Polarized to Mating Part, Positive Lock
Overview	<a href="#">versablade</a>
Product Name	VersaBlade™

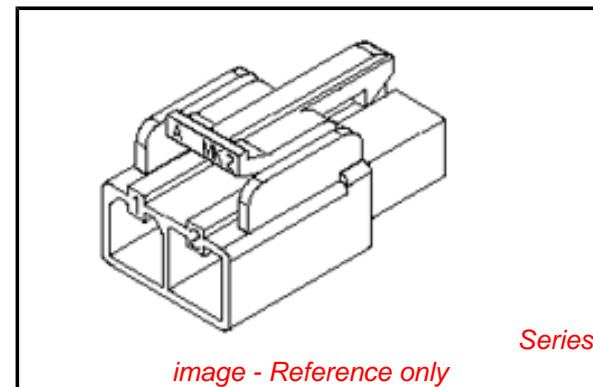
**Physical**

Circuits (maximum)	2
Color - Resin	Blue
Flammability	94V-0
Gender	Female
Glow-Wire Compliant	No
Keying to Mating Part	None
Lock to Mating Part	Yes
Material - Resin	Polyester
Number of Rows	1
Packaging Type	Bag
Panel Mount	No
Pitch - Mating Interface (in)	0.244 In
Pitch - Mating Interface (mm)	6.20 mm
Polarized to Mating Part	Yes
Stackable	No
Temperature Range - Operating	-40°C to +120°C

**Material Info**

**Reference - Drawing Numbers**

Product Specification	PS-35150-001, PS-35524-001
Sales Drawing	SD-35151-021*



**EU RoHS**

**ELV and RoHS Compliant**  
**REACH SVHC**  
 Not Reviewed  
**Halogen-Free Status**  
**Not Reviewed**

**China RoHS**



**Need more information on product environmental compliance?**

Email [productcompliance@molex.com](mailto:productcompliance@molex.com)  
 For a multiple part number RoHS Certificate of Compliance, [click here](#)

Please visit the [Contact Us](#) section for any non-product compliance questions.

**Search Parts in this Series**

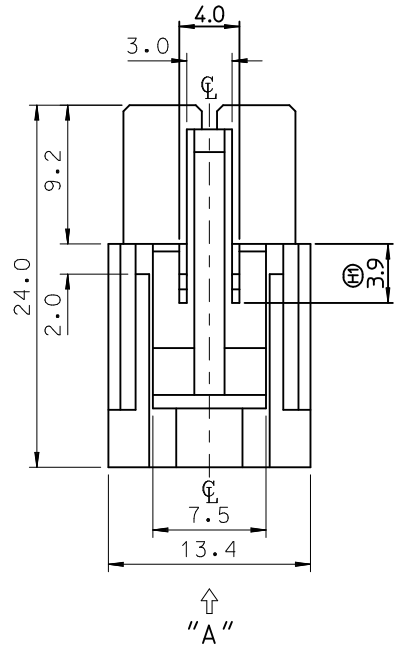
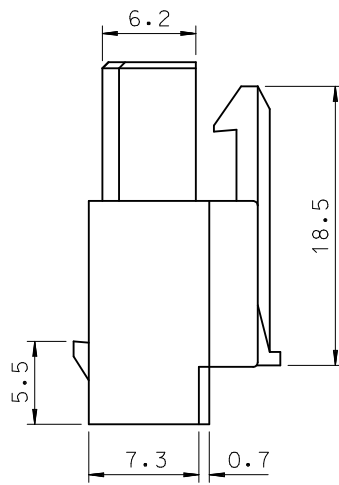
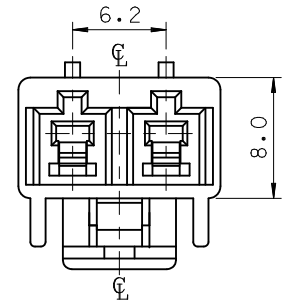
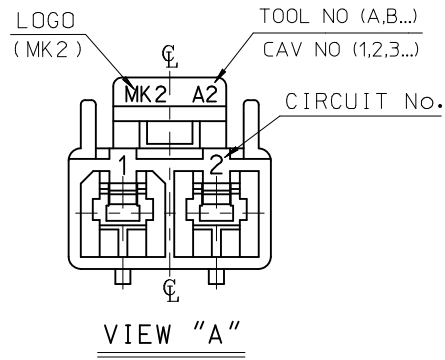
[35151Series](#)

**Mates With**

[35150-021\\*](#) Plug Housings

**Use With**

[35746](#) VersaBlade™ Crimp Terminals

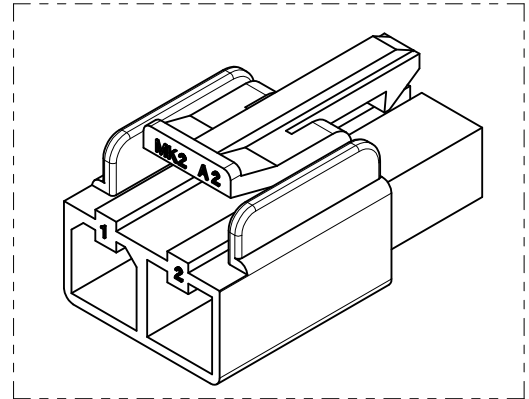


NOTES.

1. MATERIAL : SEE TABLE

N	PRODUCT		MATERIAL	
	PART NO	MATERIAL NO	COLOR	DESCRIPTION
1	35151-0210	351510210	NATURAL	PBT UL94V-0
2	35151-0211	351510211	BLACK	
3	35151-0212	351510212	RED	PC/PET UL94V-0
4	35151-0214	351510214	BLUE	
5	35151-0219	351510219	NATURAL	PC/PET UL94V-0
6	35151-2219	351512219	RED	
7	35151-3219	351513219	YELLOW	
8	35151-4219	351514219	BLUE	

- 2. MATED HOUSING : 35150-020\*, 35150-021\*
- 3. APPLICABLE TERMINAL : 35746-0\*10
- 4. APPLICABLE T.P.A : 35150-0290
- 5. PRODUCT SPECIFICATION : PS-35150-001



REVISED EC NO: KOR2010-0046 DRWN: JHPARK01 2010/01/25 CHKD: W. YANG 2010/01/25 APPR: YUNS IKKIM 2010/01/26	DESCRIPTION H1	QUALITY SYMBOLS ▽=0 ▽=0	GENERAL TOLERANCES (UNLESS SPECIFIED)		DIMENSION STYLE MM ONLY		SCALE 3:1	DESIGN UNITS METRIC	THIRD ANGLE PROJECTION																		
		<table border="1"> <tr> <th></th> <th>mm</th> <th>INCH</th> </tr> <tr> <td>4 PLACES</td> <td>± ---</td> <td>± ---</td> </tr> <tr> <td>3 PLACES</td> <td>± ---</td> <td>± ---</td> </tr> <tr> <td>2 PLACES</td> <td>± ---</td> <td>± ---</td> </tr> <tr> <td>1 PLACE</td> <td>± 0.30</td> <td>± ---</td> </tr> </table>			mm	INCH	4 PLACES	± ---	± ---	3 PLACES	± ---	± ---	2 PLACES	± ---	± ---	1 PLACE	± 0.30	± ---	DRAWN BY JS. KANG 1992/11/17		DATE		TITLE 6.2 PITCH W/W CONN FEMALE HSG-2P				
			mm	INCH																							
		4 PLACES	± ---	± ---																							
3 PLACES	± ---	± ---																									
2 PLACES	± ---	± ---																									
1 PLACE	± 0.30	± ---																									
DRAFT WHERE APPLICABLE MUST REMAIN WITHIN DIMENSIONS			APPROVED BY CW. LEE 1992/11/17		DATE		MOLEX INCORPORATED																				
			MATERIAL NO. SEE TABLE		DATE		DOCUMENT NO. SD-35151-021*			SHEET NO. 1 OF 01																	