

PLEASE CHECK WWW.MOLEX.COM FOR LATEST PART INFORMATION

Part Number: [0359650220](#)
Status: **Active**
Description: 1.78mm (.070") Tab Multiple Wire-to-Wire Female Housing, 2 Circuits, Vertical, C-Type

Documents:

[Drawing \(PDF\)](#) [RoHS Certificate of Compliance \(PDF\)](#)
[Product Specification PS-35180-002 \(PDF\)](#)

Agency Certification

UL E29179

General

Product Family Crimp Housings
 Series [35965](#)
 Product Name N/A

Physical

Circuits (maximum) 2
 Gender Female
 Glow-Wire Compliant No
 Number of Rows 2
 Packaging Type Bag
 Panel Mount No
 Pitch - Mating Interface (in) 0.315 In
 Pitch - Mating Interface (mm) 8.00 mm
 Stackable No
 Temperature Range - Operating -40°C to +120°C

Material Info

Reference - Drawing Numbers

Product Specification PS-35180-002
 Sales Drawing SD-35965-001

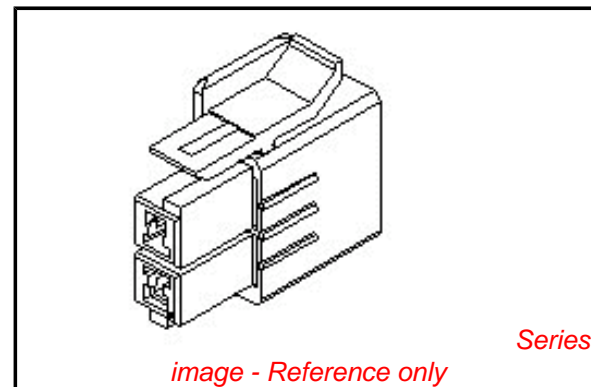


image - Reference only

EU RoHS

**ELV and RoHS
 Compliant**
REACH SVHC
 Not Reviewed
**Halogen-Free
 Status**
Not Reviewed

China RoHS



**Need more information on product
 environmental compliance?**

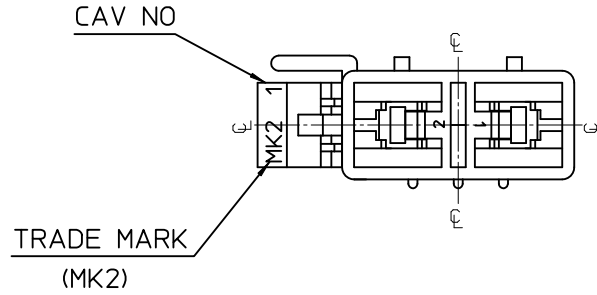
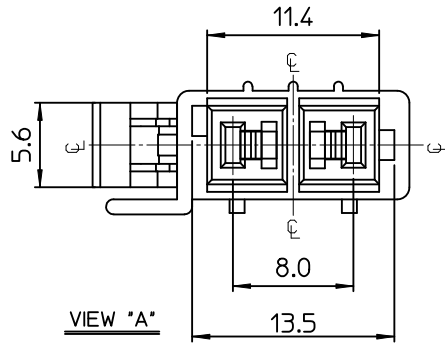
Email productcompliance@molex.com
 For a multiple part number RoHS Certificate of
 Compliance, [click here](#)

Please visit the [Contact Us](#) section for any
 non-product compliance questions.

Search Parts in this Series
[35965Series](#)

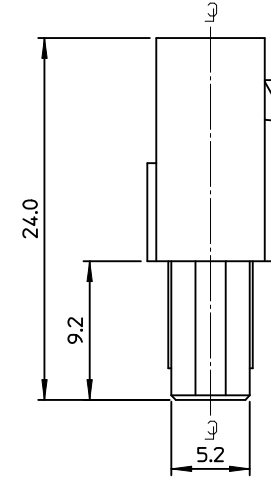
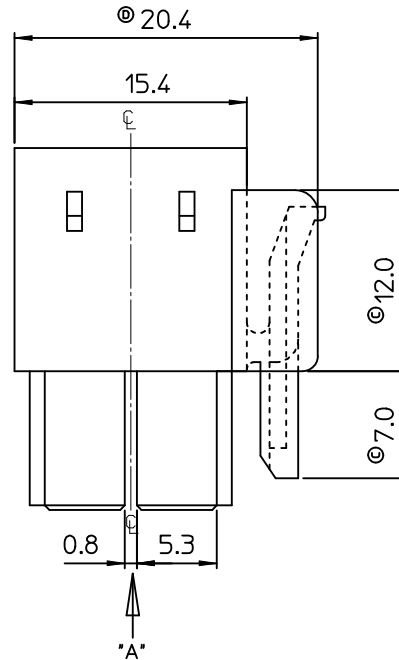
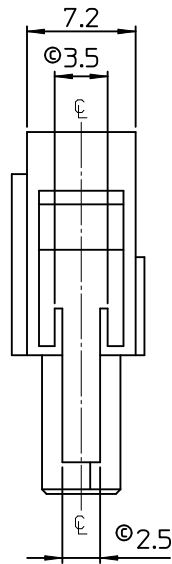
Mates With
[35180](#)

Use With
[35746](#)



NOTES.

1. MATERIAL & COLOR : SEE TABLE
2. MATED HOUSING : 35180-060*
3. APPLICABLE TERMINAL : 35748-0*10
4. APPLICABLE TPA : 35965-029*
5. PRODUCT SPECIFICATION : PS-35180-002



| NO. | POLYESTER(PBT) | | PC/PET(UL94V-0) | |
|-----|----------------|---------|-----------------|---------|
| | MATERIAL | COLOR | MATERIAL | COLOR |
| 1 | 35965-0220 | NATURAL | 35965-9220 | NATURAL |
| 2 | 35965-0222 | RED | 35965-9222 | RED |
| 3 | 35965-0224 | BLUE | 35965-9223 | YELLOW |
| 4 | | | 35965-9224 | BLUE |

REVISED
 EC NO: KOR2010-0186
 DRWN: JHPARK01 2010/05/17
 CHKD: SHCHU 2010/05/17
 APPR: YUNS IKKIM 2010/05/18

QUALITY SYMBOLS
 ▽=0
 ▽=0

GENERAL TOLERANCES (UNLESS SPECIFIED)

| | mm | INCH |
|----------|-------|-------|
| 4 PLACES | ± --- | ± --- |
| 3 PLACES | ± --- | ± --- |
| 2 PLACES | ± --- | ± --- |
| 1 PLACE | ± 0.3 | ± --- |

ANGULAR ± 1°

DRAFT WHERE APPLICABLE MUST REMAIN WITHIN DIMENSIONS

DIMENSION STYLE
MM ONLY

DRAWN BY
 JS. KANG

CHECKED BY
 BK. CHOI

APPROVED BY
 CW. LEE

MATERIAL NO.
SEE TABLE

DATE
 1995/09/28

DATE
 1995/09/28

DATE
 1995/09/28

SCALE
3:1

DESIGN UNITS
METRIC

THIRD ANGLE PROJECTION

TITLE
.070 MULTI FEMALE HSG 2P(C)

molex MOLEX INCORPORATED

DOCUMENT NO.
SD-35965-001

SHEET NO.
1 OF 01

THIS DRAWING CONTAINS INFORMATION THAT IS PROPRIETARY TO MOLEX INCORPORATED AND SHOULD NOT BE USED WITHOUT WRITTEN PERMISSION