

PLEASE CHECK WWW.MOLEX.COM FOR LATEST PART INFORMATION

Part Number: [0558830690](#)
Status: **Active**
Description: 3.30mm (.130") Pitch Wire-to-Board Header, Dual Row, with Positive Lock, Lead-free, 6 Circuits, Ivory

Documents:

[3D Model](#) [Product Specification PS-51284-003 \(PDF\)](#)
[Drawing \(PDF\)](#) [RoHS Certificate of Compliance \(PDF\)](#)
[Product Specification PS-51284-002 \(PDF\)](#)

General

Product Family	PCB Headers
Series	55883
Application	Wire-to-Board
Product Name	N/A

Physical

Breakaway	No
Circuits (Loaded)	6
Circuits (maximum)	6
Durability (mating cycles max)	30
First Mate / Last Break	No
Glow-Wire Compliant	No
Guide to Mating Part	No
Keying to Mating Part	None
Lock to Mating Part	Yes
Material - Metal	Brass
Material - Plating Mating	Tin
Material - Plating Termination	Tin
Number of Rows	2
Orientation	Vertical
PC Tail Length (in)	0.138 In
PC Tail Length (mm)	3.50 mm
PCB Locator	Yes
PCB Retention	Yes
PCB Thickness Recommended (in)	0.062 In
PCB Thickness Recommended (mm)	1.60 mm
Packaging Type	Tube
Pitch - Mating Interface (in)	0.130 In
Pitch - Mating Interface (mm)	3.30 mm
Plating min: Mating (µin)	40
Plating min: Mating (µm)	1
Plating min: Termination (µin)	40
Plating min: Termination (µm)	1
Shrouded	Fully
Surface Mount Compatible (SMC)	No
Temperature Range - Operating	-25°C to +85°C
Termination Interface: Style	Through Hole - Kinked Pin

Electrical

Current - Maximum per Contact	4A
Voltage - Maximum	300V

Material Info

Reference - Drawing Numbers

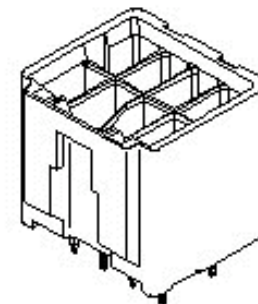


image - Reference only

Series

EU RoHS

ELV and RoHS Compliant
REACH SVHC
 Not Reviewed
Halogen-Free Status
 Not Reviewed

China RoHS



Need more information on product environmental compliance?

Email productcompliance@molex.com
 For a multiple part number RoHS Certificate of Compliance, [click here](#)

Please visit the [Contact Us](#) section for any non-product compliance questions.

Search Parts in this Series

[55883Series](#)

Mates With

[51284 Wire-to-Board Receptacle Housing](#)

Product Specification

Sales Drawing

PS-51284-002, PS-51284-003, RPS-51284-006,
RPS-51284-007, RPS-51284-008, RPS-51284-009,
RPS-51284-012, RPS-51284-013
SD-55883-010

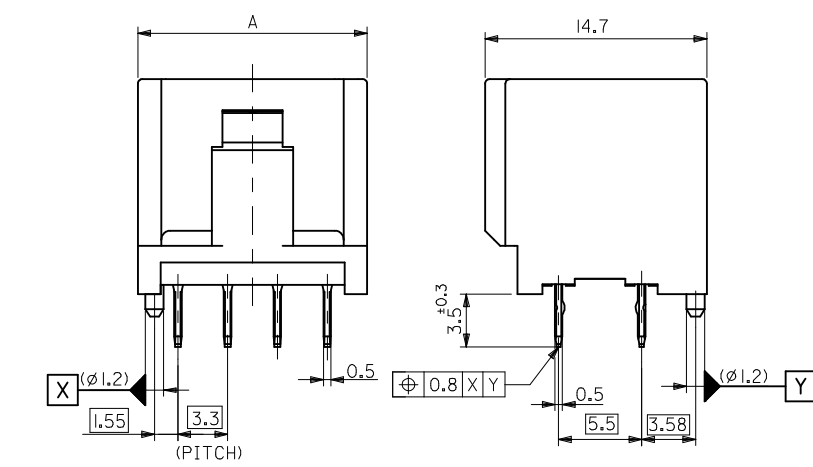
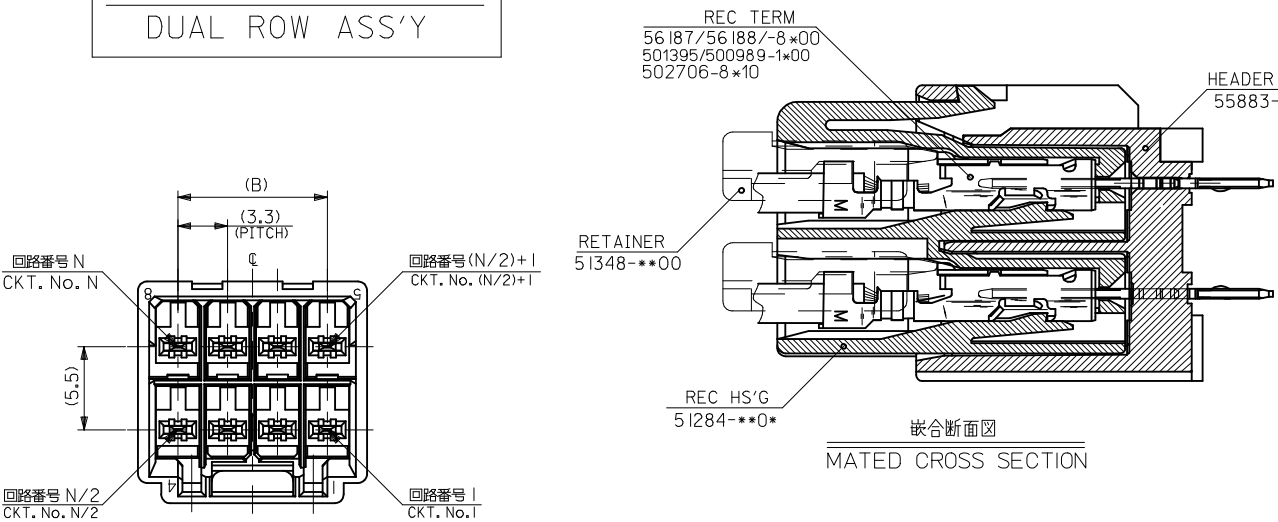
This document was generated on 04/16/2010

PLEASE CHECK WWW.MOLEX.COM FOR LATEST PART INFORMATION

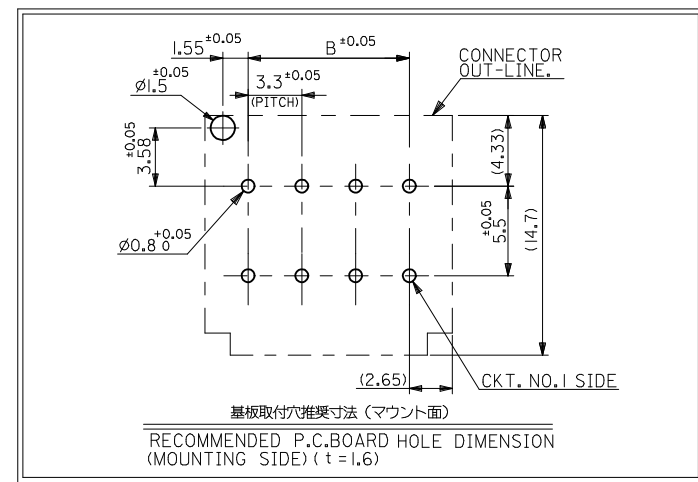
本図は2列品を示す
DUAL ROW ASS'Y

注記
NOTES

1. 材料 MATERIAL
ピン PIN : 黄銅, ニッケル下地鍍メッキ
ヘッダー HEADER : ホリアミド (PA), ガラス充填, UL94V-0
2. 嵌合相手 MATE WITH : 51284-***8
3. ソルダータールキンは、両端のピンのみとする。
KINK TO BE APPLIED FOR 4 PINS AT BOTH ENDS.
- △ 極性用溝 PALARIZING KEY
5. ELV及びRoHS 適合品
ELV AND RoHS COMPLIANT



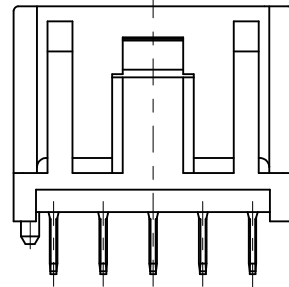
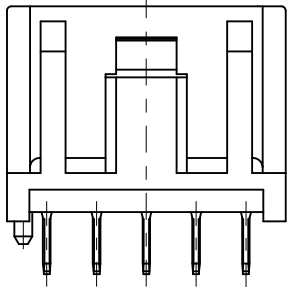
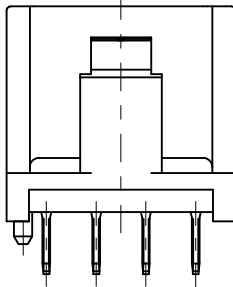
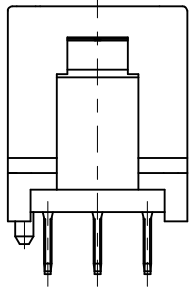
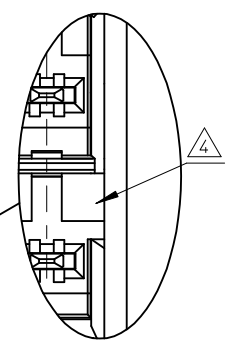
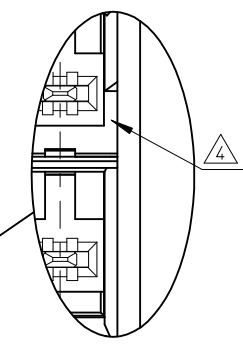
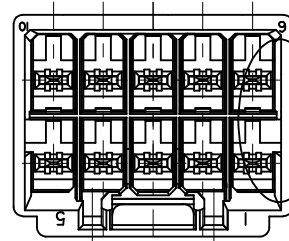
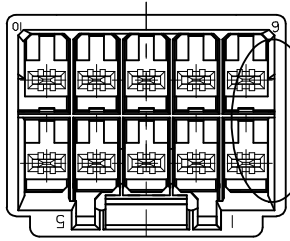
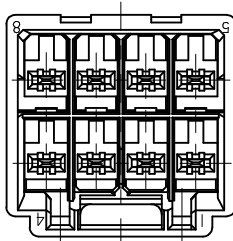
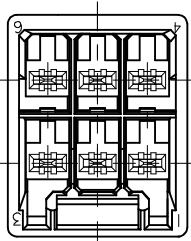
嵌合断面図
MATED CROSS SECTION



LOCK SIDE	BLACK	13.2	18.5	55883-1091	10	
	NATURAL (IVORY)			-1090		
	OPPOSITE SIDE OF LOCK	RED	9.9	15.2	-0892	8
		NATURAL (IVORY)			-0890	
MATING KEY POSITION (SEE SHEET 2 OF 3)	COLOR	B	A	-0690	6	
				TRAY PACKAGE 極数		
				オーダー番号 ORDER NO.	回路数 CIRCUITS	

REVISED EC NO: J2010-0432 DRW: NYOSHIKAWA 2009/09/11 CHK: K. ASAKAWA 2009/09/14 APPR: NUKITA 2009/09/15	GENERAL TOLERANCES (UNLESS SPECIFIED)		DIMENSION STYLE MM ONLY	SCALE ---	CONNECTOR SERIES No. 55883-***9*
	10 UNDER	±0.2	DRAWN BY J. KUGOU	DATE '04/02/12	DESIGN UNITS METRIC
	10 OVER 30 UNDER	±0.25	CHECKED BY M. SASAO	DATE '04/02/12	THIRD ANGLE PROJECTION
	30 OVER	±0.3	APPROVED BY M. SASAO	DATE '04/02/12	MOLEX INCORPORATED
	ANGULAR	±3 °	MATERIAL NO.	DOCUMENT NO.	
DRAFT WHERE APPLICABLE MUST REMAIN WITHIN DIMENSIONS			SIZE A3	SEE CHART	SD-55883-010
THIS DRAWING CONTAINS INFORMATION THAT IS PROPRIETARY TO MOLEX INCORPORATED AND SHOULD NOT BE USED WITHOUT WRITTEN PERMISSION					

本図は2列品を示す
DUAL ROW ASS'Y



SHAPE OF
55883-0690
HEADER COLOR:NATURAL

SHAPE OF
55883-0890
HEADER COLOR:NATURAL
55883-0892
HEADER COLOR:RED

SHAPE OF
55883-1090
HEADER COLOR:NATURAL

SHAPE OF
55883-1091
HEADER COLOR:BLACK

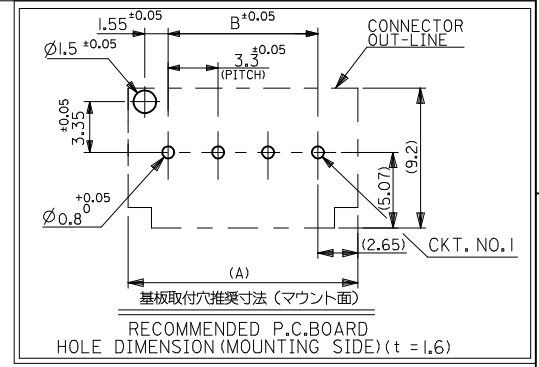
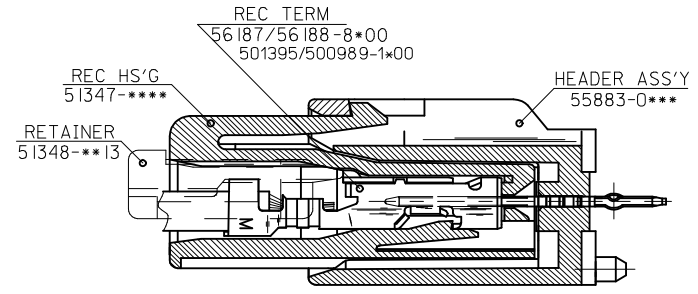
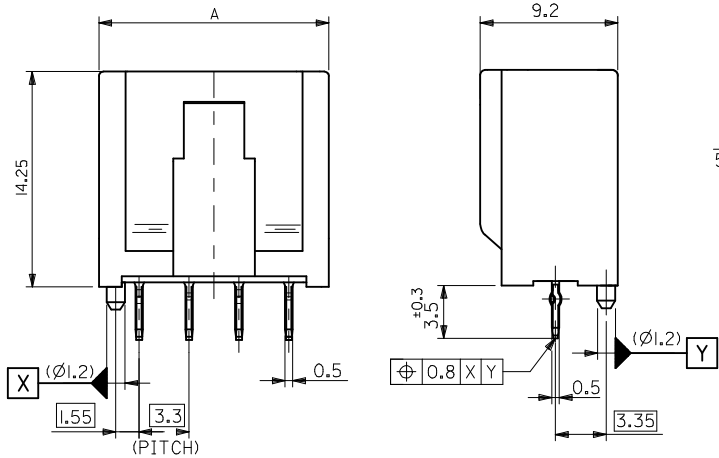
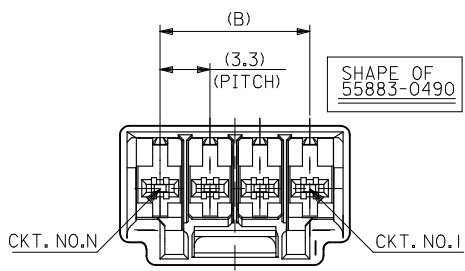
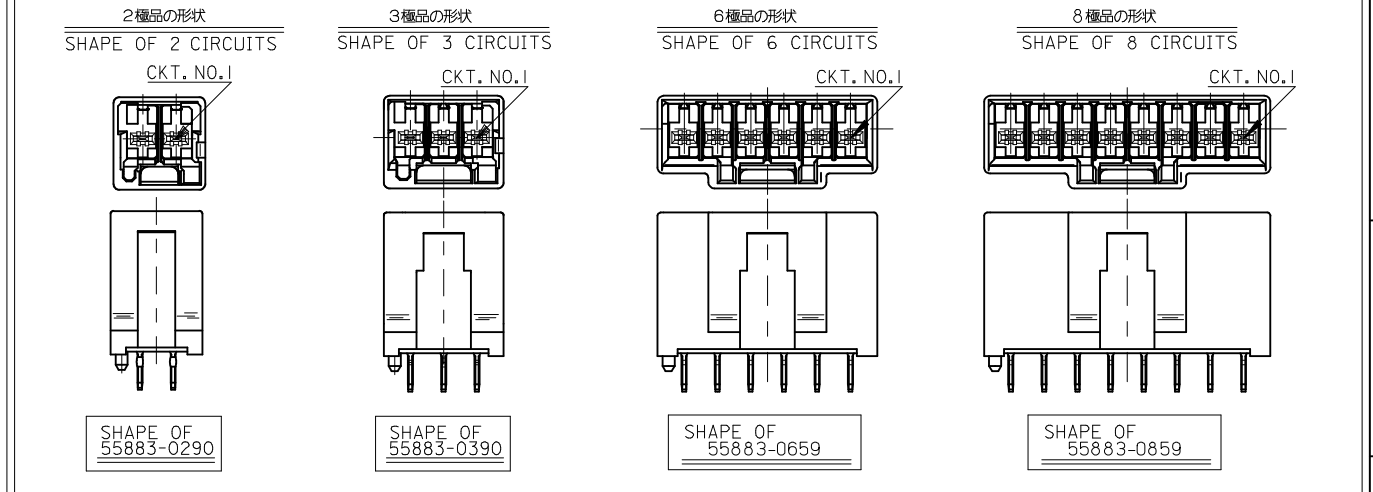
MATING KEY POSITION: OPPOSITE SIDE OF LOCK

MATING KEY POSITION: LOCK SIDE

極数レイアウト図
LAYOUT OF EACH CIRCUITS

REVISED EC NO: J2010-0432 DRAWN: YOSHIKAWA 2009/09/11 CHKDK: ASAKAWA 2009/09/14 APPR: NUKITA 2009/09/15	GENERAL TOLERANCES (UNLESS SPECIFIED)		DIMENSION STYLE MM ONLY	SCALE ---	DESIGN UNITS METRIC	THIRD ANGLE PROJECTION
	10 UNDER	± 0.2	DRAWN BY J. KUGOU	DATE '04/02/12	TITLE 3.3 WIRE TO BOARD CONN. HEADER ASS'Y	
	10 OVER 30 UNDER	± 0.25	CHECKED BY M. SASAO	DATE '04/02/12		
	30 OVER	± 0.3	APPROVED BY M. SASAO	DATE '04/02/12	MOLEX INCORPORATED	
ANGULAR ±3 °	DRAFT WHERE APPLICABLE MUST REMAIN WITHIN DIMENSIONS	MATERIAL NO. SEE SHEET 1	DOCUMENT NO. SD-55883-010	SHEET NO. 2 OF 3		
			SIZE A3	THIS DRAWING CONTAINS INFORMATION THAT IS PROPRIETARY TO MOLEX INCORPORATED AND SHOULD NOT BE USED WITHOUT WRITTEN PERMISSION		

本図は1列品を示す
SINGLE ROW ASS'Y



NATURAL (IVORY)	23.1	28.4	55883-0859	8
	16.5	21.8	55883-0659	6
	9.9	15.2	55883-0490	4
	6.6	11.9	55883-0390	3
	3.3	9.1	55883-0290	2
COLOR	B	A	TRAY PACKAGE	極数
			オーダー番号 ORDER NO.	CIRCUITS

注記 NOTES

- 材料 MATERIAL
ピン PIN : 黄銅, ニッケル下地鍍メッキ
: BRASS, TIN OVER NICKEL PLATED
ヘッダー HEADER : ホリアミド (PA), ガラス充填 UL94V-0
: POLYAMIDE(PA), GLASS FILLED, UL94V-0
- 嵌合相手 MATE WITH : 51347-****
- ELV及びRoHS 適合品
ELV AND RoHS COMPLIANT

REVISED EC NO: J2010-0432 DRWN: YOSHIKAWA 2009/09/11 CHKD: ASAKAWA 2009/09/14 APPR: NUKITA 2009/09/15	DESCRIPTION	GENERAL TOLERANCES (UNLESS SPECIFIED)		DIMENSION STYLE MM ONLY		SCALE ---		DESIGN UNITS METRIC		THIRD ANGLE PROJECTION		
		10 UNDER	±0.2	DRAWN BY J. KUGOU	DATE '04/02/12	TITLE 3.3 WIRE TO BOARD CONN. HEADER ASS'Y						
		10 OVER 30 UNDER	±0.25	CHECKED BY M. SASAO	DATE '04/02/12	MOLEX INCORPORATED DOCUMENT NO. SD-55883-010 SHEET NO. 3 OF 3						
		30 OVER	±0.3	APPROVED BY M. SASAO	DATE '04/02/12							
REV	ANGULAR	±3 °	DRAFT WHERE APPLICABLE MUST REMAIN WITHIN DIMENSIONS		MATERIAL NO. SEE CHART							
				SIZE A3		THIS DRAWING CONTAINS INFORMATION THAT IS PROPRIETARY TO MOLEX INCORPORATED AND SHOULD NOT BE USED WITHOUT WRITTEN PERMISSION						