

**PLEASE CHECK WWW.MOLEX.COM FOR LATEST PART INFORMATION**

**Part Number:** [0473340001](#)  
**Status:** **Active**  
**Description:** 1.10mm (.043") Pitch microSD Card Connector, Push-Push Type, without Detect Switch, Lead Free

**Documents:**

[3D Model](#) [Product Specification PS-47334-001 \(PDF\)](#)  
[Drawing \(PDF\)](#) [RoHS Certificate of Compliance \(PDF\)](#)

**General**

Product Family	Memory Card Sockets
Series	47334
Button Type	Push-Push
Comments	<LI>Push-Push Type <LI>Without Detect Switch
Component Type	Header & Ejector (Host)
Product Name	microSD Card, TransFlash
Type	N/A

**Physical**

Card Detection Switch	No
Circuits (Loaded)	8
Circuits (maximum)	8
Color - Resin	Black
Durability (mating cycles max)	5,000
Ejector Button Side	No Ejector Button Present
Entry Angle	90° Angle (Side Entry)
Keying to Mating Part	Yes
Material - Metal	Stainless Steel
Material - Plating Mating	Gold
Material - Plating Termination	Tin
Material - Resin	High Temperature Thermoplastic
PCB Locator	No
PCB Mounting Side	Normal
PCB Retention	Yes
Packaging Type	Embossed Tape on Reel
Pitch - Mating Interface (in)	0.043 In
Pitch - Mating Interface (mm)	1.10 mm
Pitch - Term. Interface (in)	0.043 In
Pitch - Term. Interface (mm)	1.10 mm
Ports	1
Temperature Range - Operating	-20°C to +85°C
Termination Interface: Style	Surface Mount

**Electrical**

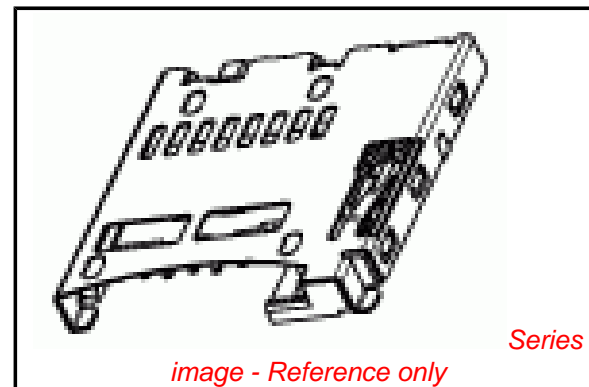
Current - Maximum per Contact	0.5A
Shielded	Yes
Voltage - Maximum	100V DC

**Solder Process Data**

Duration at Max. Process Temperature (seconds)	10
Lead-free Process Capability	Reflow Capable (SMT only)
Max. Cycles at Max. Process Temperature	2
Process Temperature max. C	250

**Material Info**

**Reference - Drawing Numbers**



*image - Reference only*

**EU RoHS**

**ELV and RoHS  
Compliant**  
**REACH SVHC**  
 Not Reviewed  
**Halogen-Free  
Status**

**China RoHS**



**Not Reviewed**

**Need more information on product  
environmental compliance?**

Email [productcompliance@molex.com](mailto:productcompliance@molex.com)  
 For a multiple part number RoHS Certificate of Compliance, [click here](#)

Please visit the [Contact Us](#) section for any non-product compliance questions.

**Search Parts in this Series**

47334Series

**Use With**

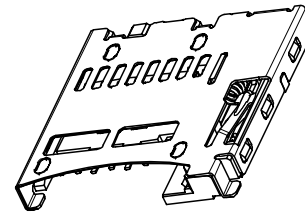
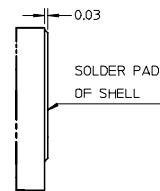
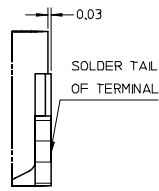
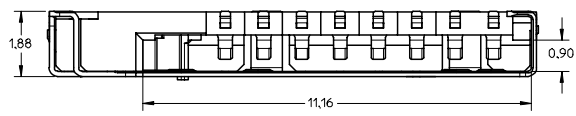
microSD Card

Packaging Specification  
Product Specification  
Sales Drawing  
Test Summary

PK-47334-001  
PS-47334-001  
SD-47334-001  
TS-47334-001

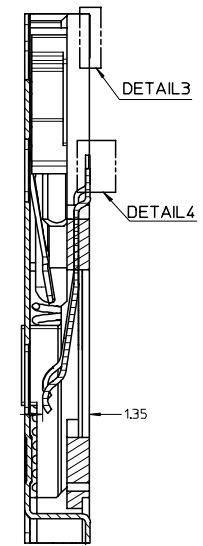
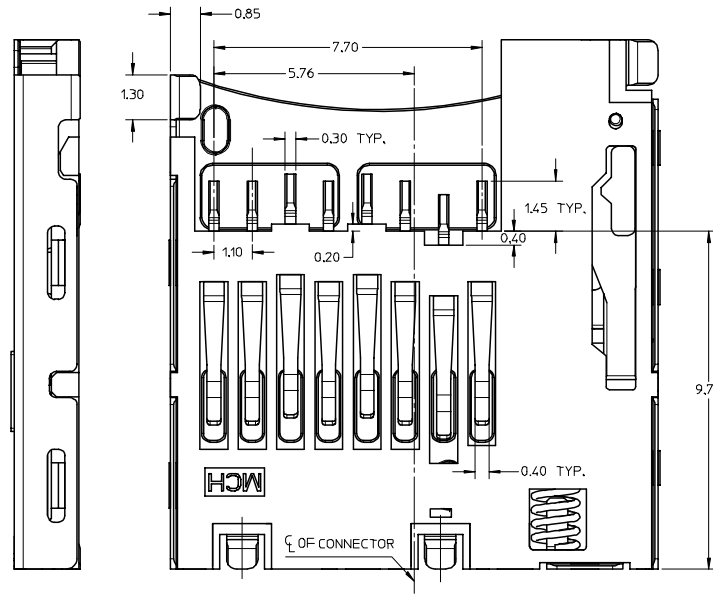
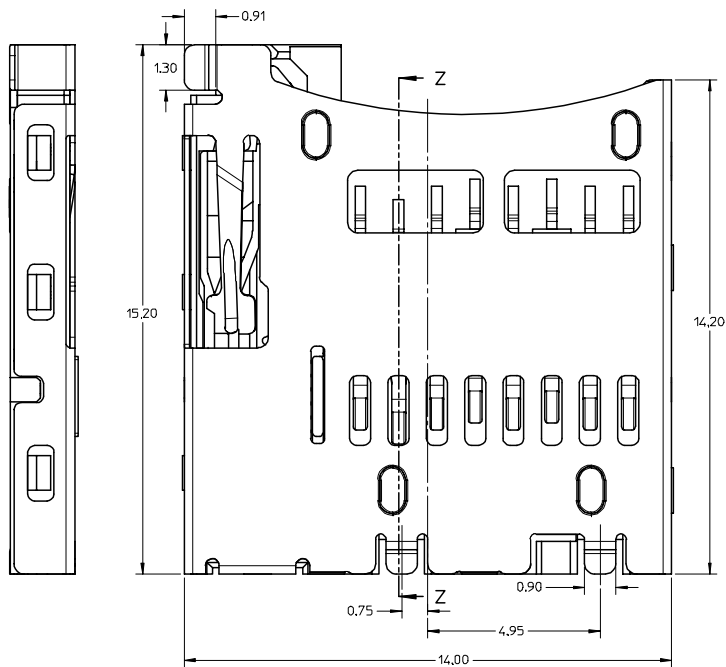
This document was generated on 06/07/2010

**PLEASE CHECK [WWW.MOLEX.COM](http://WWW.MOLEX.COM) FOR LATEST PART INFORMATION**

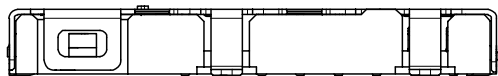


DETAIL 4

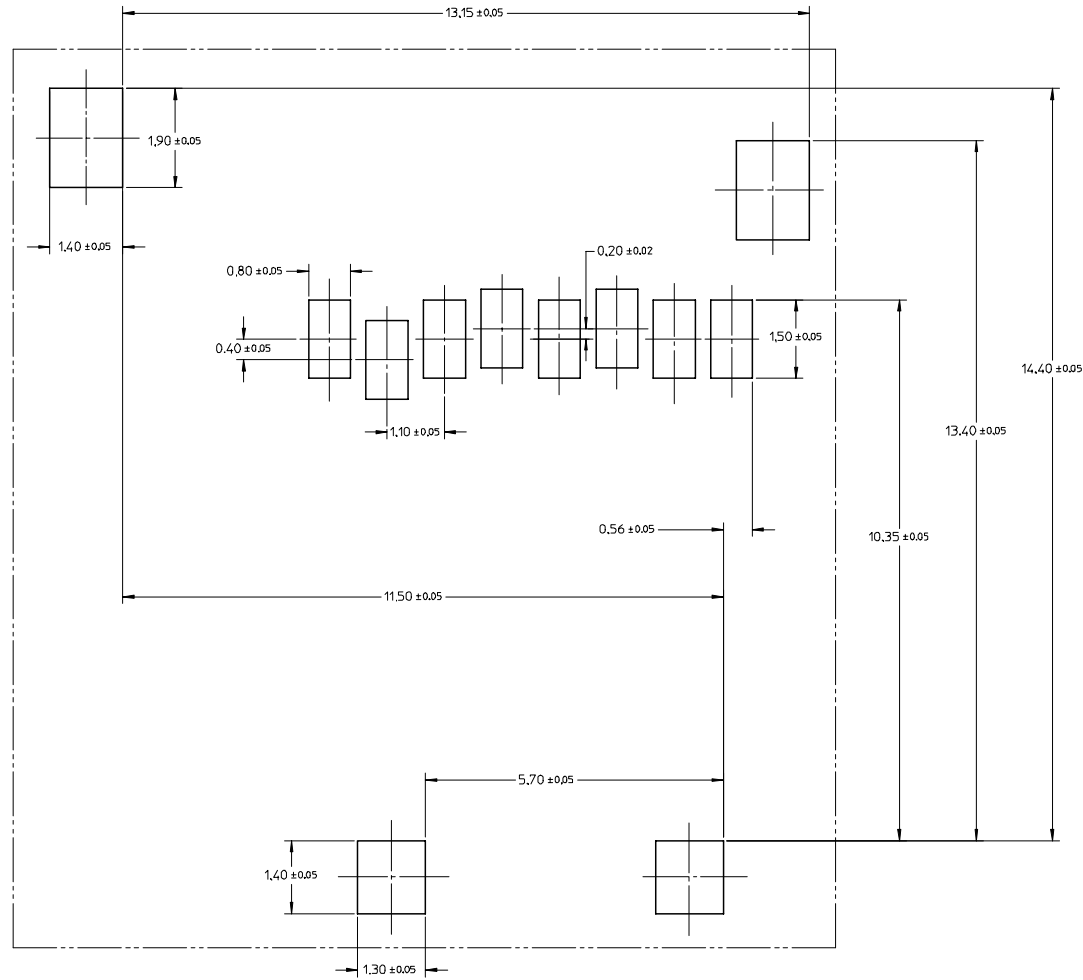
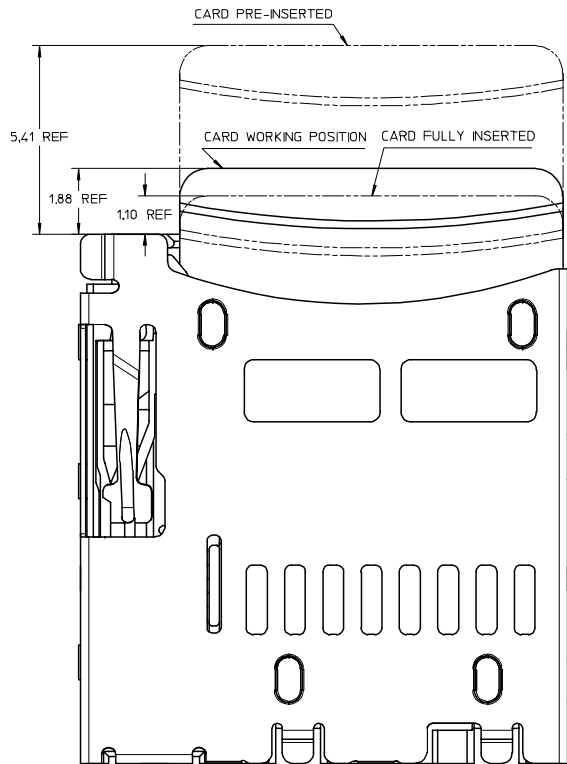
DETAIL 3



SECTION Z-Z



REVISED EEC NO.: SH2007-0499 DRAWN: ZHOU 2007/02/12 CHKD: XU XIANG APPR: JINCHEN 2007/03/16 REV DESCRIPTION	QUALITY SYMBOLS ▽=0 ▽=0	GENERAL TOLERANCES (UNLESS SPECIFIED) <table border="1"> <tr> <th></th> <th>mm</th> <th>INCH</th> </tr> <tr> <td>4 PLACES ±</td> <td>---</td> <td>±---</td> </tr> <tr> <td>3 PLACES ±</td> <td>---</td> <td>±---</td> </tr> <tr> <td>2 PLACES ±</td> <td>0.15</td> <td>±---</td> </tr> <tr> <td>1 PLACE ±</td> <td>---</td> <td>±---</td> </tr> <tr> <td colspan="3">ANGULAR ±1/2°</td> </tr> </table>		mm	INCH	4 PLACES ±	---	±---	3 PLACES ±	---	±---	2 PLACES ±	0.15	±---	1 PLACE ±	---	±---	ANGULAR ±1/2°			DIMENSION STYLE MM ONLY	SCALE 5:1	DESIGN UNITS METRIC	THIRD ANGLE PROJECTION
		mm	INCH																					
	4 PLACES ±	---	±---																					
	3 PLACES ±	---	±---																					
2 PLACES ±	0.15	±---																						
1 PLACE ±	---	±---																						
ANGULAR ±1/2°																								
DRAWN BY XIXU	DATE 2006/03/25	TITLE TFR&MICRO SD CARD READER PUSH PUSH TYPE WITHOUT DETECT SWITCH																						
CHECKED BY XIXU	DATE 2006/03/28	MOLEX INCORPORATED																						
APPROVED BY JNCHEN	DATE 2006/03/29	MATERIAL NO. 473340001	DOCUMENT NO. SD-47334-001	SHEET NO. 1 OF 2																				
DRAFT WHERE APPLICABLE MUST REMAIN WITHIN DIMENSIONS																								
THIS DRAWING CONTAINS INFORMATION THAT IS PROPRIETARY TO MOLEX INCORPORATED AND SHOULD NOT BE USED WITHOUT WRITTEN PERMISSION																								



RECOMMENDED PCB LAYOUT

NOTES:

1 MATERIAL:

- 1-1 TERMINAL, FITTING NAIL : COPPER ALLOY
- 1-2 SHELL, CAM PIN, SPRING : STAINLESS STEEL
- 1-3 HOUSING, CAM : LCP, UL 94-V0, BLACK

2 FINISH:

- 2-1 TERMINAL : NICKEL UNDERPLATED, GOLD PLATING ON CONTACT AREA  
TIN PLATING ON SOLDER TAIL
- 2-2 SHELL : GOLD FLASH OVER NICKEL UNDERPLATED ON SOLDER PAD

3 MECHANICAL SPECIFICATION:

REPEATED 5,000 TIMES MATING AND UNMATING CYCLES AND STILL MEET ELECTRICAL CHARACTERISTICS

4 ELECTRICAL SPECIFICATION:

- 4-1 RATED CURRENT (PER CONTACT) : 0.5AMPS MAX AND TEMPERATURE RISE SHOULD BE 30°C MAX
- 4-2 INSULATION RESISTANCE(IR) : 100 MEGOHMS MIN.
- 4-3 DIELECTRIC WITHSTANDING VOLTAGE : 500 VAC
- 4-4 CONTACT RESISTANCE: 100 MILLIOHMS MAX

REVISED EIC NO.: SH2007-0499 DRWN: ZHOU 2007/02/12 CHKD: XU XIANG APPR: JINCHEN 2007/03/16 REV DESCRIPTION	QUALITY SYMBOLS	GENERAL TOLERANCES (UNLESS SPECIFIED)	DIMENSION STYLE	SCALE	DESIGN UNITS	THIRD ANGLE PROJECTION												
	$\blacktriangledown = 0$ $\nabla = 0$	<table border="1"> <tr><th>mm</th><th>INCH</th></tr> <tr><td>4 PLACES ± ---</td><td>± ---</td></tr> <tr><td>3 PLACES ± ---</td><td>± ---</td></tr> <tr><td>2 PLACES ± 0.15</td><td>± ---</td></tr> <tr><td>1 PLACE ± ---</td><td>± ---</td></tr> <tr><td colspan="2">ANGULAR ± 1/2°</td></tr> </table>	mm	INCH	4 PLACES ± ---	± ---	3 PLACES ± ---	± ---	2 PLACES ± 0.15	± ---	1 PLACE ± ---	± ---	ANGULAR ± 1/2°		MM ONLY	10:1	METRIC	
	mm	INCH																
	4 PLACES ± ---	± ---																
3 PLACES ± ---	± ---																	
2 PLACES ± 0.15	± ---																	
1 PLACE ± ---	± ---																	
ANGULAR ± 1/2°																		
<table border="1"> <tr><td>DRAWN BY</td><td>DATE</td></tr> <tr><td>XIXU</td><td>2006/03/25</td></tr> <tr><td>CHECKED BY</td><td>DATE</td></tr> <tr><td>XIXU</td><td>2006/03/28</td></tr> <tr><td>APPROVED BY</td><td>DATE</td></tr> <tr><td>JNCHEN</td><td>2006/03/29</td></tr> </table>	DRAWN BY	DATE	XIXU	2006/03/25	CHECKED BY	DATE	XIXU	2006/03/28	APPROVED BY	DATE	JNCHEN	2006/03/29	TITLE	TFR&MICRO SD CARD READER PUSH PUSH TYPE WITHOUT DETECT SWITCH				
DRAWN BY	DATE																	
XIXU	2006/03/25																	
CHECKED BY	DATE																	
XIXU	2006/03/28																	
APPROVED BY	DATE																	
JNCHEN	2006/03/29																	
MATERIAL NO. 473340001	DOCUMENT NO. SD-47334-001	MOLEX INCORPORATED																

DRAFT WHERE APPLICABLE  
MUST REMAIN  
WITHIN DIMENSIONS

SIZE  
A2

THIS DRAWING CONTAINS INFORMATION THAT IS PROPRIETARY TO MOLEX  
INCORPORATED AND SHOULD NOT BE USED WITHOUT WRITTEN PERMISSION

SHEET NO.  
2 OF 2