

**PLEASE CHECK WWW.MOLEX.COM FOR LATEST PART INFORMATION**

**Part Number:** [0416710025](#)  
**Status:** **Active**  
**Description:** 3.96mm (.156") Pitch KK® Header, Breakaway, Vertical, Square Pin, with Friction Lock, 3 Circuits, 0.76µm (30µ") Gold (Au) Selective Plating

**Documents:**

[3D Model](#) [Product Specification PS-08-50 \(PDF\)](#)  
[Drawing \(PDF\)](#) [RoHS Certificate of Compliance \(PDF\)](#)

**Agency Certification**

CSA LR19980  
 UL E29179

**General**

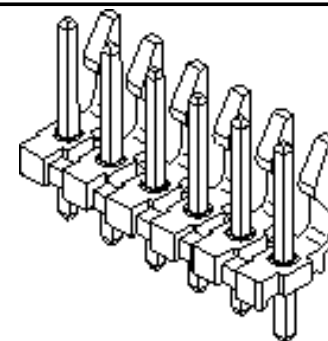
Product Family PCB Headers  
 Series [41671](#)  
 Application Wire-to-Board  
 Product Name KK®

**Physical**

Breakaway Yes  
 Circuits (Loaded) 3  
 Circuits (maximum) 3  
 Color - Resin Black  
 Durability (mating cycles max) 50  
 Flammability 94V-0  
 Glow-Wire Compliant No  
 Lock to Mating Part Yes  
 Material - Metal Brass  
 Material - Plating Mating Gold  
 Material - Plating Termination Tin  
 Material - Resin Polyester  
 Number of Rows 1  
 Orientation Vertical  
 PC Tail Length (in) 0.172 In  
 PC Tail Length (mm) 4.37 mm  
 PCB Locator No  
 PCB Retention None  
 PCB Thickness Recommended (in) 0.062 In  
 PCB Thickness Recommended (mm) 1.60 mm  
 Packaging Type Bag  
 Pitch - Mating Interface (in) 0.156 In  
 Pitch - Mating Interface (mm) 3.96 mm  
 Plating min: Mating (µin) 30  
 Plating min: Mating (µm) 0.75  
 Plating min: Termination (µin) 100  
 Plating min: Termination (µm) 2.5  
 Polarized to Mating Part Yes  
 Polarized to PCB No  
 Shrouded Partial  
 Stackable No  
 Temperature Range - Operating 0°C to +75°C  
 Termination Interface: Style Through Hole

**Electrical**

Current - Maximum per Contact 7A



*image - Reference only* - Series

**EU RoHS**

**ELV and RoHS Compliant**  
**REACH SVHC Contains SVHC: No**  
**Halogen-Free Status**  
**Not Reviewed**

**China RoHS**



**Need more information on product environmental compliance?**

Email [productcompliance@molex.com](mailto:productcompliance@molex.com)  
 For a multiple part number RoHS Certificate of Compliance, [click here](#)

Please visit the [Contact Us](#) section for any non-product compliance questions.

**Search Parts in this Series**

[41671Series](#)

**Mates With**

[3069 Crimp Housing](#), [2139 Crimp Housing](#), [6442 KK® Crimp Housing](#), [41695 Crimp Housing](#), [7674 IDT Assembly](#), [7675 IDT Connector](#), [41815 PCB Connector](#), [2145 PCB Connector](#), [3215 KK® PCB Connector](#)

Voltage - Maximum 250V

**Solder Process Data**

Duration at Max. Process Temperature (seconds) 5  
Lead-free Process Capability Wave Capable (TH only)  
Max. Cycles at Max. Process Temperature 1  
Process Temperature max. C 235

**Material Info**

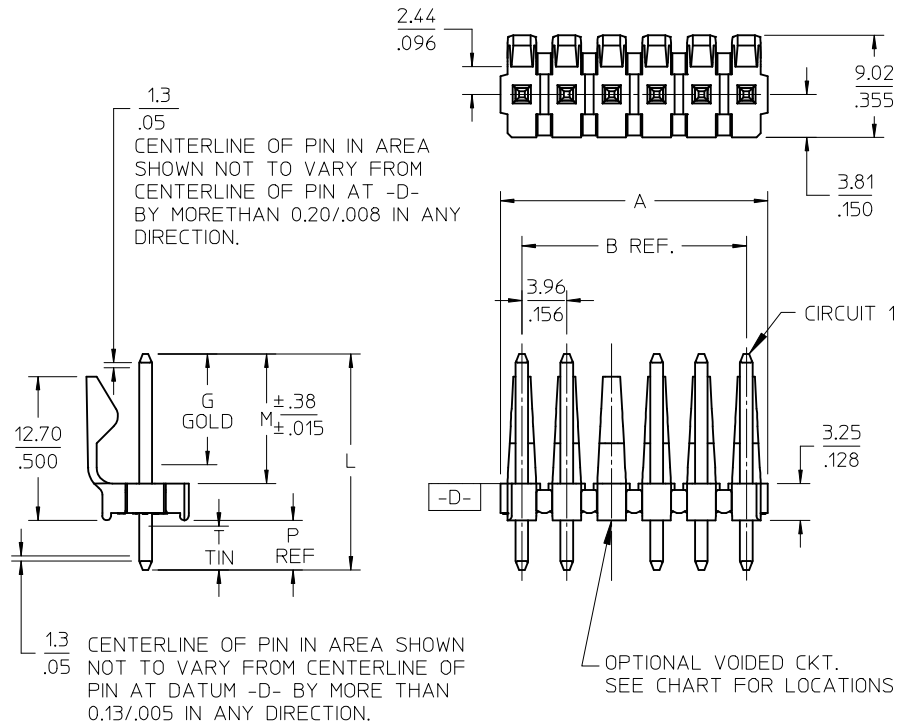
Old Part Number A-41671-C03A228

**Reference - Drawing Numbers**

Product Specification PS-08-50  
Sales Drawing SD-41671-001

This document was generated on 04/19/2010

**PLEASE CHECK [WWW.MOLEX.COM](http://WWW.MOLEX.COM) FOR LATEST PART INFORMATION**



NOTES:

- MATERIAL: POLYESTER, 94V-0, MOLDED BLACK
- FINISH: PER ES-88
  - (102) OVERALL TIN: 0.00508/.000200 MIN.
  - OVERALL COPPER: 0.00254/.000100 MIN.
  - (222) OVERALL MATTE TIN: 0.00254/.000100 MIN.
  - OVERALL NICKEL: 0.00127/.000050 MIN.
  - (208) SELECT GOLD: 0.00038/.000015 MIN.
  - \*SELECT TIN: 0.00254/.000100 MIN.,
  - OVERALL NICKEL UNDERPLATE: 0.00127/.000050 MIN.
  - (228) SELECT GOLD: 0.00076/.000030 MIN.,
  - \*SELECT TIN: 0.00254/.000100 MIN.,
  - OVERALL NICKEL UNDERPLATE: 0.00127/.000050 MIN.
  - (501) OVERALL GOLD: 0.00051/.000020 MIN.
  - OVERALL NICKEL: 0.00076/.000030 MIN.
  - (503) OVERALL GOLD: 0.00076/.000030 MIN.
  - OVERALL NICKEL: 0.00127/.000050 MIN.
- THE PRIMARY SHIPPING CARTON WILL BE LABELED "COMPLIANT TO RoHS DIRECTIVE 2002/95/EC AND ELV ANNEX II OF DIRECTIVE 2000/53/EC". CARTONS WITHOUT THIS LABEL MAY CONTAIN PRODUCT WITH TIN-LEAD PLATING.
- PRODUCT SPECIFICATION: PS-08-50.
- PACKAGING INFO: SEE TABLE.
- SOLDERABILITY: PER SMES-152.
- PIN PUSH-OUT FORCE: PRIOR TO SOLDERING, 3 LB MIN. FORCE IN EITHER DIRECTION SHALL BE REQUIRED TO PUSH THE PIN OUT OF THE HEADER.
- PARTS ARE STACKABLE END TO END ON 3.96/.156 CENTERS. (SPACING TABS MUST BE REMOVED ON CIRCUIT SIZES 1-23 BEFORE PARTS ARE STACKABLE.
- THIS PART CONFORMS TO CLASS B REQUIREMENTS OF COSMETIC SPECIFICATION PS-45499-002.

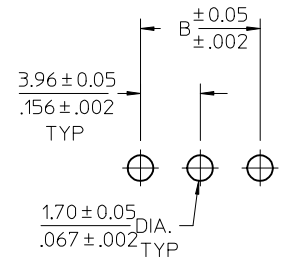
A-41671- \* N \* \*-\*

OPTION -PIN- PACKING  
 A=BRASS -2161- BULK PACK  
 B=BRASS -2161- TUBE PACK  
 C=BRASS -43294- BULK PACK

NO OF CKTS  
 DIM M,L,P  
 PLATING

VOID LOCATIONS  
 BLANK=NO VOIDS  
 NO=CKT NO VOIDED  
 MULT-VOIDS=51 UP

CKT	B	A
2	3.96 .156	6.78/7.87 .267/.310
3	7.92 .312	10.74/11.84 .423/.466
4	11.89 .468	14.71/15.80 .579/.622
5	15.85 .624	18.67/19.76 .735/.778
6	19.81 .780	22.63/23.72 .891/.934
7	23.77 .936	26.59/27.69 1.047/1.090
8	27.74 1.092	30.56/31.65 1.203/1.246
9	31.70 1.248	34.52/35.61 1.359/1.402
10	35.66 1.404	38.48/39.57 1.515/1.558
11	39.62 1.560	42.44/43.54 1.671/1.714
12	43.59 1.716	46.41/47.50 1.827/1.870
13	47.55 1.872	50.37/51.46 1.983/2.026
14	51.51 2.028	54.33/55.42 2.139/2.182
15	55.47 2.184	58.29/59.39 2.295/2.338
16	59.44 2.340	62.26/63.35 2.451/2.494
17	63.40 2.496	66.22/67.31 2.607/2.650
18	67.36 2.652	70.18/71.27 2.763/2.806
19	71.32 2.808	74.14/75.23 2.919/2.962
20	75.29 2.964	78.11/79.20 3.075/3.118
21	79.25 3.120	82.07/83.16 3.231/3.274
22	83.21 3.276	86.03/87.12 3.387/3.430
23	87.17 3.432	89.94/91.08 3.541/3.586
24	91.14 3.588	93.85/95.00 3.695/3.740



PCB LAYOUT: COMPONENT SIDE  
 RECOMMENDED PCB THICKNESS:  
 1.57 ± .18 / .062 ± .007

CHANGE PIN		QUALITY SYMBOLS	GENERAL TOLERANCES (UNLESS SPECIFIED)		DIMENSION STYLE		SCALE	DESIGN UNITS	THIRD ANGLE PROJECTION	
EC NO:	DRWN:		mm	INCH	MM/IN	DATE	1.5:1	INCH	TITLE	
2009-1378	2008/12/08	▽=0 ▽=0	4 PLACES	± ---	± ---	JSCHAFFER	2004/04/05		KK 156 HEADER ASSEMBLY FRICTION LOCK STRAIGHT BREAKAWAY	
2008/12/08	2008/12/08		3 PLACES	± ---	± .010	CHECKED BY	DATE		MOLEX INCORPORATED	
2008/12/08	2008/12/08		2 PLACES	± 0.25	± .015	KSAMIEC	2004/04/05	DOCUMENT NO.	SD-41671-001	
			1 PLACE	± 0.38	± ---	APPROVED BY	DATE	SHEET NO.	1 OF 8	
			ANGULAR ±1/2°			MARGULIS	2004/04/05	THIS DRAWING CONTAINS INFORMATION THAT IS PROPRIETARY TO MOLEX INCORPORATED AND SHOULD NOT BE USED WITHOUT WRITTEN PERMISSION		
			DRAFT WHERE APPLICABLE MUST REMAIN WITHIN DIMENSIONS			SEE CHART				

2-*	AJ
1	AJ
SHT	REV

Ckts	Material No	Engineer Number	Material No	Engineer Number	Material No	Engineer Number
2	26-48-1025	A-41671-A02A102	41671-0001	A-41671-C02A208	41671-0024	A-41671-C02A228
3	26-48-1035	A-41671-A03A102	41671-0002	A-41671-C03A208	41671-0025	A-41671-C03A228
4	26-48-1045	A-41671-A04A102	41671-0003	A-41671-C04A208	41671-0026	A-41671-C04A228
5	26-48-1055	A-41671-A05A102	41671-0004	A-41671-C05A208	41671-0027	A-41671-C05A228
6	26-48-1065	A-41671-A06A102	41671-0005	A-41671-C06A208	41671-0028	A-41671-C06A228
7	26-48-1075	A-41671-A07A102	41671-0006	A-41671-C07A208	41671-0029	A-41671-C07A228
8	26-48-1085	A-41671-A08A102	41671-0007	A-41671-C08A208	41671-0030	A-41671-C08A228
9	26-48-1095	A-41671-A09A102	41671-0008	A-41671-C09A208	41671-0031	A-41671-C09A228
10	26-48-1105	A-41671-A10A102	41671-0009	A-41671-C10A208	41671-0032	A-41671-C10A228
11	26-48-1115	A-41671-A11A102	41671-0010	A-41671-C11A208	41671-0033	A-41671-C11A228
12	26-48-1125	A-41671-A12A102	41671-0011	A-41671-C12A208	41671-0034	A-41671-C12A228
13	26-48-1135	A-41671-A13A102	41671-0012	A-41671-C13A208	41671-0035	A-41671-C13A228
14	26-48-1145	A-41671-A14A102	41671-0013	A-41671-C14A208	41671-0036	A-41671-C14A228
15	26-48-1155	A-41671-A15A102	41671-0014	A-41671-C15A208	41671-0037	A-41671-C15A228
16	26-48-1165	A-41671-A16A102	41671-0015	A-41671-C16A208	41671-0038	A-41671-C16A228
17	26-48-1175	A-41671-A17A102	41671-0016	A-41671-C17A208	41671-0039	A-41671-C17A228
18	26-48-1185	A-41671-A18A102	41671-0017	A-41671-C18A208	41671-0040	A-41671-C18A228
19	26-48-1195	A-41671-A19A102	41671-0018	A-41671-C19A208	41671-0041	A-41671-C19A228
20	26-48-1205	A-41671-A20A102	41671-0019	A-41671-C20A208	41671-0042	A-41671-C20A228
21	26-48-1215	A-41671-A21A102	41671-0020	A-41671-C21A208	41671-0043	A-41671-C21A228
22	26-48-1225	A-41671-A22A102	41671-0021	A-41671-C22A208	41671-0044	A-41671-C22A228
23	26-48-1235	A-41671-A23A102	41671-0022	A-41671-C23A208	41671-0045	A-41671-C23A228
24	26-48-1245	A-41671-A24A102	41671-0023	A-41671-C24A208	41671-0046	A-41671-C24A228
	STD TIN CATALOG PRODUCT		STD 15 GOLD CATALOG PRODUCT		STD 30 GOLD CATALOG PRODUCT	

<u>REV:</u> <b>AJ</b>	<u>ECR/ECN INFORMATION:</u> <b>EC. NO. UCP2009-1378</b> <b>DATE: 12/8/2008</b>	<u>TITLE:</u> <b>KK .156 HEADER ASSEMBLY FRICTION LOCK STRAIGHT 2-24 CKTS.</b>	<u>SHEET No.</u> <b>- 2 -</b>
<u>DOCUMENT NUMBER:</u> <b>SD - 41671 - 001</b>		<u>CREATED / REVISED BY:</u> <b>MKIPPER</b>	<u>CHECKED BY:</u> <b>SSOUSEK</b>
		<u>APPROVED BY:</u> <b>FSMITH</b>	

Group No:	A-41671-ANA501
Pin No:	2161-1 (501)
Plating:	501 GOLD
Pin Length L	.750 / 19.05
Mating M	.450 / 11.43
Gold Loc G	OVERALL
PC Tail P	.172 / 4.37
Tin Loc T	NA
Voided Ckts	NONE
Pack Per	PK-41671-001

Group No:	A-41671-ANA503
Pin No:	2161 – 1(503)
Plating:	503 GOLD
Pin Length L	.750 / 19.05
Mating M	.450 / 11.43
Gold Loc G	OVERALL
PC Tail P	.172 / 4.37
Tin Loc T	NA
Voided Ckts	NONE
Pack Per	PK-41671-001

Group No:	A-41671-AND102
Pin No:	2161-56 (102)
Plating:	102 TIN
Pin Length L	.703 / 17.86
Mating M	.450 / 11.43
Gold Loc G	NA
PC Tail P	.125 / 3.18
Tin Loc T	OVERALL
Voided Ckts	NONE
Pack Per	PK-41671-001

Group No:	A-41671-ANB102
Pin No:	2161-1 (102)
Plating:	102 TIN
Pin Length L	.750 / 19.05
Mating M	.523 / 13.28
Gold Loc G	NA
PC Tail P	.099 / 2.51
Tin Loc T	OVERALL
Voided Ckts	NONE
Pack Per	PK-41671-001

Ckts	Material No	Engineer Number
2	26-48-2025	A-41671-A02A501
3	26-48-2035	A-41671-A03A501
4	26-48-2045	A-41671-A04A501
5	26-48-2055	A-41671-A05A501
6	26-48-2065	A-41671-A06A501
7	26-48-2075	A-41671-A07A501
8	26-48-2085	A-41671-A08A501
9	26-48-2095	A-41671-A09A501
10	26-48-2105	A-41671-A10A501
11	26-48-2115	A-41671-A11A501
12	26-48-2125	A-41671-A12A501
13	26-48-2135	A-41671-A13A501
14	26-48-2145	A-41671-A14A501
15	26-48-2155	A-41671-A15A501
16	26-48-2165	A-41671-A16A501
17	26-48-2175	A-41671-A17A501
18	26-48-2185	A-41671-A18A501
19	26-48-2195	A-41671-A19A501
20	26-48-2205	A-41671-A20A501
21	26-48-2215	A-41671-A21A501
22	26-48-2225	A-41671-A22A501
23	26-48-2235	A-41671-A23A501
24	26-48-2245	A-41671-A24A501

Material No	Engineer Number
26-48-9026	A-41671-A02A503
41671-0047	A-41671-A03A503
41671-0048	A-41671-A04A503
26-48-9056	A-41671-A05A503
41671-0049	A-41671-A06A503
41671-0050	A-41671-A07A503
41671-0051	A-41671-A08A503
26-48-9096	A-41671-A09A503
26-48-9106	A-41671-A10A503
41671-0052	A-41671-A11A503
26-48-9126	A-41671-A12A503
41671-0053	A-41671-A13A503
41671-0054	A-41671-A14A503
41671-0055	A-41671-A15A503
41671-0056	A-41671-A16A503
41671-0057	A-41671-A17A503
41671-0058	A-41671-A18A503
41671-0059	A-41671-A19A503
41671-0060	A-41671-A20A503
41671-0061	A-41671-A21A503
41671-0062	A-41671-A22A503
41671-0063	A-41671-A23A503
26-48-9246	A-41671-A24A503

Material No	Engineer Number
26-48-9023	A-41671-A02D102
26-48-9033	A-41671-A03D102
26-48-9043	A-41671-A04D102
26-48-9053	A-41671-A05D102
26-48-9063	A-41671-A06D102
26-48-9073	A-41671-A07D102
26-48-9083	A-41671-A08D102
26-48-9093	A-41671-A09D102
26-48-9103	A-41671-A10D102
26-48-9113	A-41671-A11D102
26-48-9123	A-41671-A12D102
26-48-9133	A-41671-A13D102
26-48-9143	A-41671-A14D102
26-48-9153	A-41671-A15D102
26-48-9163	A-41671-A16D102
26-48-9173	A-41671-A17D102
26-48-9183	A-41671-A18D102
26-48-9193	A-41671-A19D102
26-48-9203	A-41671-A20D102
26-48-9213	A-41671-A21D102
26-48-9223	A-41671-A22D102
26-48-9233	A-41671-A23D102
26-48-9243	A-41671-A24D102

Material No	Engineer Number
41671-0064	A-41671-A02B102
41671-0065	A-41671-A03B102
41671-0066	A-41671-A04B102
41671-0067	A-41671-A05B102
41671-0068	A-41671-A06B102
41671-0069	A-41671-A07B102
41671-0070	A-41671-A08B102
26-48-6095	A-41671-A09B102
41671-0071	A-41671-A10B102
41671-0072	A-41671-A11B102
41671-0073	A-41671-A12B102
41671-0074	A-41671-A13B102
41671-0075	A-41671-A14B102
41671-0076	A-41671-A15B102
41671-0077	A-41671-A16B102
41671-0078	A-41671-A17B102
41671-0079	A-41671-A18B102
41671-0080	A-41671-A19B102
41671-0081	A-41671-A20B102
41671-0082	A-41671-A21B102
41671-0083	A-41671-A22B102
41671-0084	A-41671-A23B102
26-48-6245	A-41671-A24B102

REV: <b>AJ</b>	ECR/ECN INFORMATION: EC. NO. UCP2009-1378 DATE: 12/8/2008	TITLE: KK .156 HEADER ASSEMBLY FRICTION LOCK STRAIGHT 2-24 CKTS.	SHEET No. <b>- 3 -</b>
DOCUMENT NUMBER: <b>SD – 41671 - 001</b>		CREATED / REVISED BY: <b>MKIPPER</b>	CHECKED BY: <b>SSOUSEK</b>
		APPROVED BY: <b>FSMITH</b>	

Group No:	A-41671-ANF102
Pin No:	2161-24 (102)
Plating:	102 TIN
Pin Length L	.800 / 20.32
Mating M	.480 / 12.19
Gold Loc G	NA
PC Tail P	.192 / 4.88
Tin Loc T	OVERALL
Voided Ckts	NONE
Pack Per	PK-41671-001

Group No:	A-41671-ANB501
Pin No:	2161-1 (501)
Plating:	501 GOLD
Pin Length L	.750 / 19.05
Mating M	.523 / 13.28
Gold Loc G	OVERALL
PC Tail P	.099 / 2.51
Tin Loc T	NA
Voided Ckts	NONE
Pack Per	PK-41671-001

Group No:	A-41671-ANF501
Pin No:	2161-24 (501)
Plating:	501 GOLD
Pin Length L	.800 / 20.32
Mating M	.480 / 12.19
Gold Loc G	OVERALL
PC Tail P	.192 / 4.88
Tin Loc T	NA
Voided Ckts	NONE
Pack Per	PK-41671-001

Group No:	A-41671-ANN102
Pin No:	2161-19 (102)
Plating:	102 TIN
Pin Length L	1.032 / 26.21
Mating M	.450 / 11.43
Gold Loc G	NA
PC Tail P	.454 / 11.53
Tin Loc T	OVERALL
Voided Ckts	NONE
Pack Per	PK-41671-001

Ckts	Material No	Engineer Number
2	26-48-4026	A-41671-A02F102
3	26-48-4036	A-41671-A03F102
4	26-48-4046	A-41671-A04F102
5	26-48-4056	A-41671-A05F102
6	26-48-4066	A-41671-A06F102
7	26-48-4076	A-41671-A07F102
8	26-48-4086	A-41671-A08F102
9	26-48-4096	A-41671-A09F102
10	26-48-4106	A-41671-A10F102
11	26-48-4116	A-41671-A11F102
12	26-48-4126	A-41671-A12F102
13	26-48-4136	A-41671-A13F102
14	26-48-4146	A-41671-A14F102
15	26-48-4156	A-41671-A15F102
16	26-48-4166	A-41671-A16F102
17	26-48-4176	A-41671-A17F102
18	26-48-4186	A-41671-A18F102
19	26-48-4196	A-41671-A19F102
20	26-48-4206	A-41671-A20F102
21	26-48-4216	A-41671-A21F102
22	26-48-4226	A-41671-A22F102
23	26-48-4236	A-41671-A23F102
24	26-48-4246	A-41671-A24F102

Material No	Engineer Number
26-48-2027	A-41671-A02B501
26-48-2037	A-41671-A03B501
26-48-2047	A-41671-A04B501
26-48-2057	A-41671-A05B501
26-48-2067	A-41671-A06B501
26-48-2077	A-41671-A07B501
26-48-2087	A-41671-A08B501
26-48-2097	A-41671-A09B501
26-48-2107	A-41671-A10B501
26-48-2117	A-41671-A11B501
26-48-2127	A-41671-A12B501
26-48-2137	A-41671-A13B501
26-48-2147	A-41671-A14B501
26-48-2157	A-41671-A15B501
26-48-2167	A-41671-A16B501
26-48-2177	A-41671-A17B501
26-48-2187	A-41671-A18B501
26-48-2197	A-41671-A19B501
26-48-2207	A-41671-A20B501
26-48-2217	A-41671-A21B501
26-48-2227	A-41671-A22B501
26-48-2237	A-41671-A23B501
26-48-2247	A-41671-A24B501

Material No	Engineer Number
41671-0250	A-41671-A02F501
41671-0350	A-41671-A03F501
41671-0450	A-41671-A04F501
41671-0550	A-41671-A05F501
41671-0650	A-41671-A06F501
41671-0750	A-41671-A07F501
41671-0850	A-41671-A08F501
41671-0950	A-41671-A09F501
41671-1050	A-41671-A10F501
41671-1150	A-41671-A11F501
41671-1250	A-41671-A12F501
41671-1350	A-41671-A13F501
41671-1450	A-41671-A14F501
41671-1550	A-41671-A15F501
41671-1650	A-41671-A16F501
41671-1750	A-41671-A17F501
41671-1850	A-41671-A18F501
41671-1950	A-41671-A19F501
41671-2050	A-41671-A20F501
41671-2150	A-41671-A21F501
41671-2250	A-41671-A22F501
41671-2350	A-41671-A23F501
41671-2450	A-41671-A24F501

Material No	Engineer Number
	A-41671-A02N102
	A-41671-A03N102
	A-41671-A04N102
	A-41671-A05N102
	A-41671-A06N102
	A-41671-A07N102
	A-41671-A08N102
	A-41671-A09N102
	A-41671-A10N102
	A-41671-A11N102
	A-41671-A12N102
	A-41671-A13N102
	A-41671-A14N102
	A-41671-A15N102
	A-41671-A16N102
	A-41671-A17N102
	A-41671-A18N102
	A-41671-A19N102
	A-41671-A20N102
	A-41671-A21N102
	A-41671-A22N102
	A-41671-A23N102
26-48-8247	A-41671-A24N102

<u>REV:</u> <b>AJ</b>	<u>ECR/ECN INFORMATION:</u> <b>EC. NO. UCP2009-1378</b> <b>DATE: 12/8/2008</b>	<u>TITLE:</u> <b>KK .156 HEADER ASSEMBLY FRICTION LOCK STRAIGHT 2-24 CKTS.</b>	<u>SHEET No.</u> <b>- 4 -</b>
<u>DOCUMENT NUMBER:</u> <b>SD - 41671 - 001</b>		<u>CREATED / REVISED BY:</u> <b>MKIPPER</b>	<u>CHECKED BY:</u> <b>SSOUSEK</b>
		<u>APPROVED BY:</u> <b>FSMITH</b>	

Group No:	A-41671-CNP228
Pin No:	43294-0282
Plating:	228 30 GOLD
Pin Length L	.800 / 20.32
Mating M	.523 / 13.28
Gold Loc G	.350 / 8.89
PC Tail P	.149 / 3.78
Tin Loc T	.200 / 5.08
Voided Ckts	NONE
Pack Per	PK-41671-001

Group No:	A-41671-CNR208
Pin No:	43294-0344
Plating:	208 15 GOLD
Pin Length L	.870 / 22.10
Mating M	.450 / 11.43
Gold Loc G	.400 / 10.16
PC Tail P	.292 / 7.42
Tin Loc T	.200 / 5.08
Voided Ckts	NONE
Pack Per	PK-41671-001

Group No:	A-41671-ANT102
Pin No:	2161-37 (102)
Plating:	102 TIN
Pin Length L	1.100 / 27.94
Mating M	.486 / 12.34
Gold Loc G	NA
PC Tail P	.486 / 12.34
Tin Loc T	OVERALL
Voided Ckts	NONE
Pack Per	PK-41671-001

Group No:	A-41671-ANA122
Pin No:	2161-1 (122)
Plating:	122 TIN
Pin Length L	.750 / 19.05
Mating M	.450 / 11.43
Gold Loc G	NA
PC Tail P	.172 / 4.37
Tin Loc T	OVERALL
Voided Ckts	NONE
Pack Per	PK-41671-001

Ckts	Material No	Engineer Number
2	41671-2451	A-41671-C02P228
3	41671-2452	A-41671-C03P228
4	41671-2453	A-41671-C04P228
5	41671-2454	A-41671-C05P228
6	41671-2455	A-41671-C06P228
7	41671-2456	A-41671-C07P228
8	41671-2457	A-41671-C08P228
9	41671-2458	A-41671-C09P228
10	41671-2459	A-41671-C10P228
11	41671-2460	A-41671-C11P228
12	41671-2461	A-41671-C12P228
13	41671-2462	A-41671-C13P228
14	41671-2463	A-41671-C14P228
15	41671-2464	A-41671-C15P228
16	41671-2465	A-41671-C16P228
17	41671-2466	A-41671-C17P228
18	41671-2467	A-41671-C18P228
19	41671-2468	A-41671-C19P228
20	41671-2469	A-41671-C20P228
21	41671-2470	A-41671-C21P228
22	41671-2471	A-41671-C22P228
23	41671-2472	A-41671-C23P228
24	41671-2473	A-41671-C24P228

Material No	Engineer Number
41671-2474	A-41671-C02R208
41671-2475	A-41671-C03R208
41671-2476	A-41671-C04R208
41671-2477	A-41671-C05R208
41671-2478	A-41671-C06R208
41671-2479	A-41671-C07R208
41671-2480	A-41671-C08R208
41671-2481	A-41671-C09R208
41671-2482	A-41671-C10R208
41671-2483	A-41671-C11R208
41671-2484	A-41671-C12R208
41671-2485	A-41671-C13R208
41671-2486	A-41671-C14R208
41671-2487	A-41671-C15R208
41671-2488	A-41671-C16R208
41671-2489	A-41671-C17R208
41671-2490	A-41671-C18R208
41671-2491	A-41671-C19R208
41671-2492	A-41671-C20R208
41671-2493	A-41671-C21R208
41671-2494	A-41671-C22R208
41671-2495	A-41671-C23R208
41671-2496	A-41671-C24R208

Material No	Engineer Number
41671-3400	A-41671-A02T102
41671-3401	A-41671-A03T102
41671-3402	A-41671-A04T102
41671-3403	A-41671-A05T102
41671-3404	A-41671-A06T102
41671-3405	A-41671-A07T102
41671-3406	A-41671-A08T102
41671-3407	A-41671-A09T102
41671-3408	A-41671-A10T102
41671-3409	A-41671-A11T102
41671-3410	A-41671-A12T102
41671-3411	A-41671-A13T102
41671-3412	A-41671-A14T102
41671-3413	A-41671-A15T102
41671-3414	A-41671-A16T102
41671-3415	A-41671-A17T102
41671-3416	A-41671-A18T102
41671-3417	A-41671-A19T102
41671-3418	A-41671-A20T102
41671-3419	A-41671-A21T102
41671-3420	A-41671-A22T102
41671-3421	A-41671-A23T102
41671-3422	A-41671-A24T102

Material No	Engineer Number
41671-3423	A-41671-A02A122
41671-3424	A-41671-A03A122
41671-3425	A-41671-A04A122
41671-3426	A-41671-A05A122
41671-3427	A-41671-A06A122
41671-3428	A-41671-A07A122
41671-3429	A-41671-A08A122
41671-3430	A-41671-A09A122
41671-3431	A-41671-A10A122
41671-3432	A-41671-A11A122
41671-3433	A-41671-A12A122
41671-3434	A-41671-A13A122
41671-3435	A-41671-A14A122
41671-3436	A-41671-A15A122
41671-3437	A-41671-A16A122
41671-3438	A-41671-A17A122
41671-3439	A-41671-A18A122
41671-3440	A-41671-A19A122
41671-3441	A-41671-A20A122
41671-3442	A-41671-A21A122
41671-3443	A-41671-A22A122
41671-3444	A-41671-A23A122
41671-3445	A-41671-A24A122

<u>REV:</u> <b>AJ</b>	<u>ECR/ECN INFORMATION:</u> <b>EC. NO. UCP2009-1378</b> <b>DATE: 12/8/2008</b>	<u>TITLE:</u> <b>KK .156 HEADER ASSEMBLY FRICTION LOCK STRAIGHT 2-24 CKTS.</b>	<u>SHEET No.</u> <b>- 5 -</b>
<u>DOCUMENT NUMBER:</u> <b>SD - 41671 - 001</b>		<u>CREATED / REVISED BY:</u> <b>MKIPPER</b>	<u>CHECKED BY:</u> <b>SSOUSEK</b>
		<u>APPROVED BY:</u> <b>FSMITH</b>	







