

**PLEASE CHECK WWW.MOLEX.COM FOR LATEST PART INFORMATION**

**Part Number:** [0497026702](#)  
**Status:** **Active**  
**Description:** 2.28mm (.090") Female Crimp Terminal, Low Insertion Force Type, Small Size, Tin Plated

**Documents:**

[Drawing \(PDF\)](#) [RoHS Certificate of Compliance \(PDF\)](#)  
[Product Specification PS-49006-001 \(PDF\)](#)

**General**

Product Family	Crimp Terminals
Series	<a href="#">49702</a>
Crimp Quality Equipment	Yes
Product Name	N/A

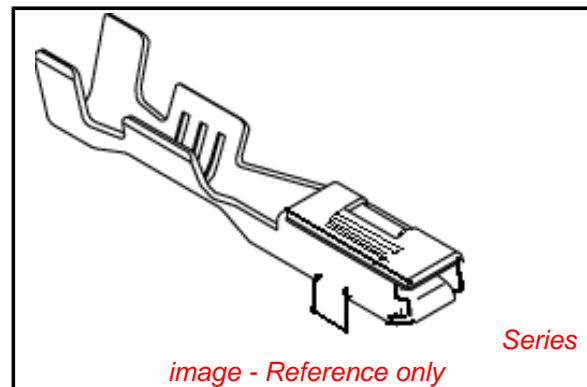
**Physical**

Gender	Female
Material - Metal	High Performance Alloy (HPA)
Material - Plating Mating	Tin
Material - Plating Termination	Tin
Packaging Type	Reel
Plating min: Mating (µin)	32.00
Plating min: Mating (µm)	0.800
Plating min: Termination (µin)	32.00
Plating min: Termination (µm)	0.80
Termination Interface: Style	Crimp or Compression
Wire Insulation Diameter	2.40mm (.094") max.
Wire Size AWG	N/A
Wire Size mm <sup>2</sup>	N/A

**Material Info**

**Reference - Drawing Numbers**

Product Specification	PS-49006-001
Sales Drawing	SD-49702-001



**EU RoHS**

**ELV and RoHS Compliant**  
**REACH SVHC Contains SVHC: No**  
**Halogen-Free Status**

**China RoHS**



**Need more information on product environmental compliance?**

Email [productcompliance@molex.com](mailto:productcompliance@molex.com)  
 For a multiple part number RoHS Certificate of Compliance, [click here](#)

Please visit the [Contact Us](#) section for any non-product compliance questions.

**Search Parts in this Series**

[49702Series](#)

**Mates With**

[57919-6702](#)

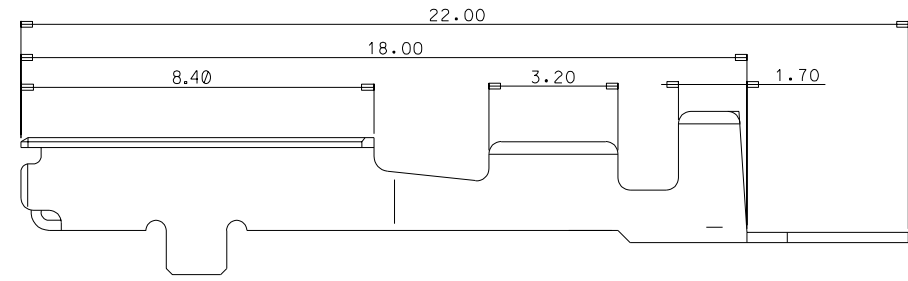
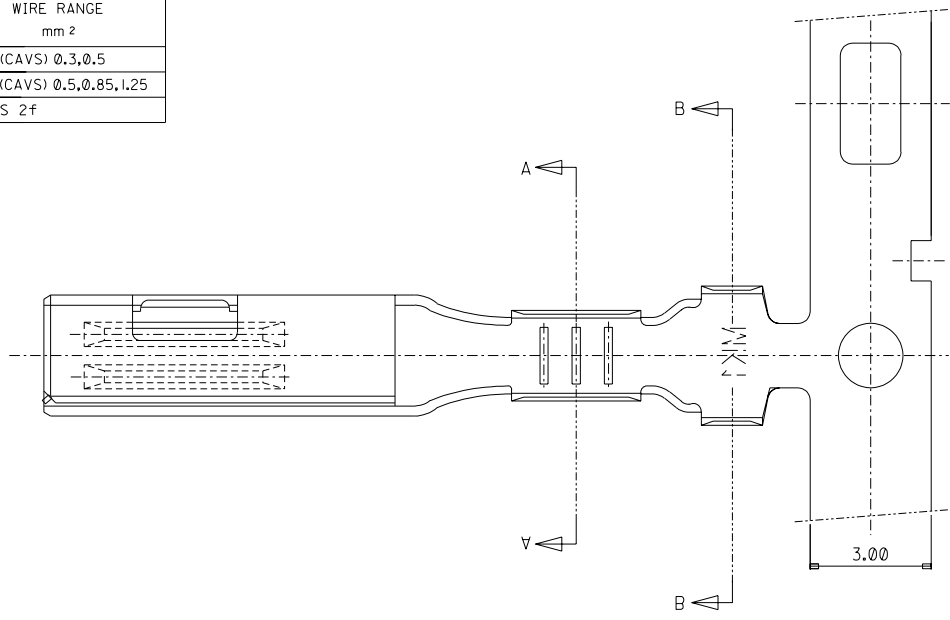
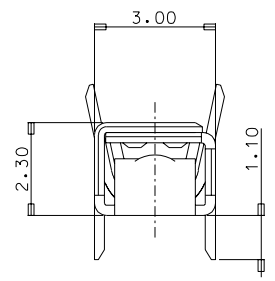
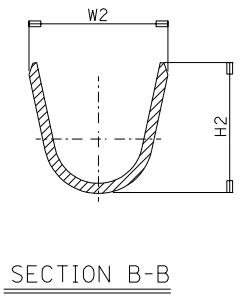
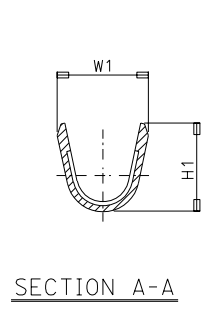
**Use With**

[49009-4610](#)

DO NOT SCALE DRAWING DIMENSION IN METRIC

PROJECT NO. SIMILAR ITEM DWG. NO. SD-49702-001

ENG.NO	DESCRIPTION	DIMENSION				WIRE RANGE mm <sup>2</sup>
		W1	H1	W2	H2	
49702-6702	.090 FEMALE TERMINAL-LIF TYPE (S)	2.1	2.2	3.4	3.25	AVS(CAVS) 0.3,0.5
49702-6802	.090 FEMALE TERMINAL-LIF TYPE (M)	2.6	2.95	4.0	3.8	AVS(CAVS) 0.5,0.85,1.25
49702-6902	.090 FEMALE TERMINAL-LIF TYPE (L)	3.6	4.0	4.3	3.9	AVSS 2f



- NOTES
1. MATERIAL: COPPER ALLOY 0.25± ± 0.01
  2. FINISH: PRE-TIN PLATING
  3. MATING TERMINAL: 57919-6•02  
APPLICABLE HOUSING: 49009-4610

NEW RELEASED EC NO. KOR2004-0071 DRAWN: B.C.YOON 03/12/11 CHK: B.C.YOON 03/12/11 APPR: C.W.LEE	QUALITY SYMBOLS MAJOR = 0 CRITICAL = 0	GENERAL TOLERANCES: (UNLESS SPECIFIED)		SCALE 8:1	DESIGN UNITS <input checked="" type="checkbox"/> mm <input type="checkbox"/> INCH	THIRD ANGLE PROJECTION	DIMENSIONS: <input type="checkbox"/> mm <input type="checkbox"/> INCH <input checked="" type="checkbox"/> mm ONLY	SHT	REV
		4 PLACES ±.	mm	INCH	DRAWN BY & DATE B.C.YOON 03/08/13		TITLE: .090 FEMALE TERMINAL(LIF TYPE)		
		3 PLACES ±.			CHECKED BY & DATE B.C.YOON 03/08/13		MOLEX MOLEX INCORPORATED		
		2 PLACES ±0.30			APPROVED BY & DATE C.W.LEE 03/08/13		CAD FILENAME SD49702.DGN	MATERIAL NO. SEETABLE	DRAWING NO. SD-49702-001
1 PLACE ±0.30			ANGULAR: ± 3 °		THIS DRAWING CONTAINS INFORMATION THAT IS PROPRIETARY TO MOLEX INCORPORATED AND SHOULD NOT BE USED WITHOUT WRITTEN PERMISSION.				SIZE B
REV	DESCRIPTION	DRAFT WHERE APPLICABLE MUST REMAIN WITHIN DIMENSIONS							