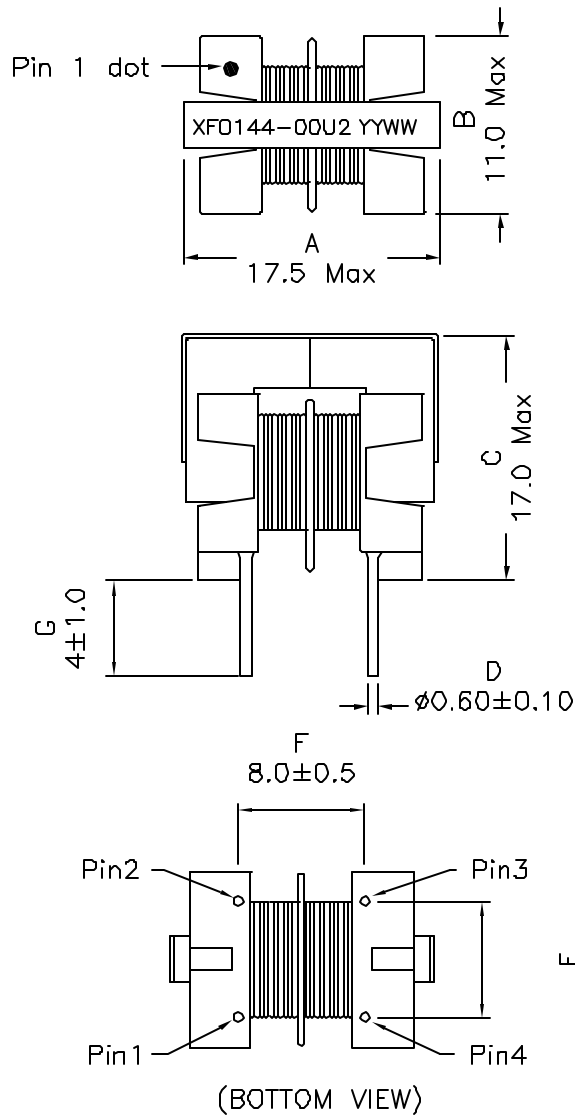
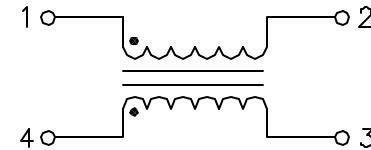


### 1. Mechanical Dimensions:



### 2. Schematic:



### 3. Electrical Specifications:

INDUCTANCE: 1.40mH Min @1KHz 0.1V

DCR: 0.30 ohms Max.

Rated Current: 0.80A Max

HIPOT: 2000VAC Wdg to Wdg

HIPOT: 750VAC Wdg to Core

#### Notes:

1. Solderability: Leads shall meet MIL-STD-202, Method 208D for solderability.
2. Flammability: UL94V-0
3. ASTM oxygen index: > 28%
4. Insulation System: Class F 155°C. UL file E151556
5. Operating Temperature Range: All listed parameters are to be within tolerance from -40°C to +85°C
6. Storage Temperature Range: -55°C to +125°C
7. Aqueous wash compatible
8. SMD Lead Coplanarity: ±0.004"(0.102mm)
9. Moisture Sensitivity: Level 2

DOC, REV: A/1

**PROPRIETARY** Document is the property of XFMRS Group & is not allowed to be duplicated without authorization.

XFMRS Inc	Title: COMMON MODE CHOKE		
	UNLESS OTHERWISE SPECIFIED TOLERANCES:	P/N: XFD144-00U2	REV. A
.xx ±0.30	DWN.	李小锋	Aug-06-04
Dimensions in MM	CHK.	康玉坤	Aug-06-04
SHEET 1 OF 1	APP.	J Ng	Aug-06-04