

CGM-10-8001

Module Amplifier

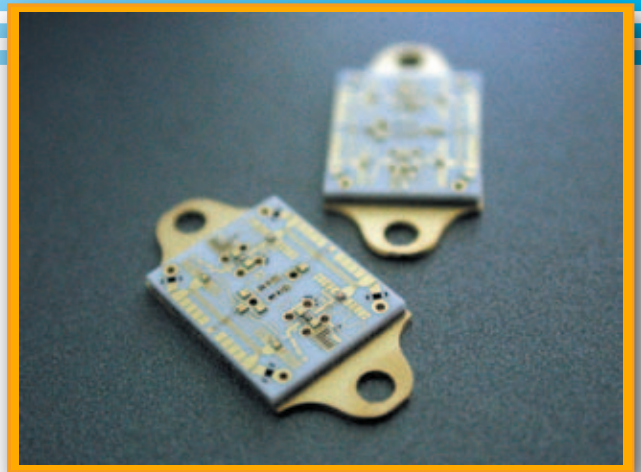
8 GHz - 10 GHz

This Module Amplifier offers exceptional performance over the band 8 GHz to 10 GHz with 10 dBm P1dB output power and 12 dB Gain.

Teledyne Microwave amplifiers are balanced or feedback designs and manufactured with the latest MIC & MMIC technology. The GaAs FET's used in these amplifiers are well established proven devices from multiple sources.

Teledyne Microwave offers a complete line of Narrow and broadband Amplifiers covering the frequency range 500 MHz to 40 GHz. These products are available in either connectorized packages or as modules. For a complete list of these products and more, please visit our website.

Other products from Teledyne Microwave include: Transceivers, Synthesizers, and YIG Products



Specifications:

Model Number: CGM-10-8001
Frequency Range: 8 GHz – 10 GHz
Gain (min): 12 dB
Gain Vs Temp Coefficient per 1 deg C: -0.011 dB
Noise Figure (max): 1.9 dB
Output Power @ 1dB Compression: 10 dBm
Gain Flatness Vs Frequency: +/-0.25 dB
3rd Order Intercept (Typ): Contact Factory
Power Supply:
 Input Voltage: 11.5 to 15 VDC
 Current @ 12 VDC (typ): 60 mA
 Current @ 12 VDC (max): Contact Factory
Case Type (See attached Outline): 1248NP
Temperature Range: +25C



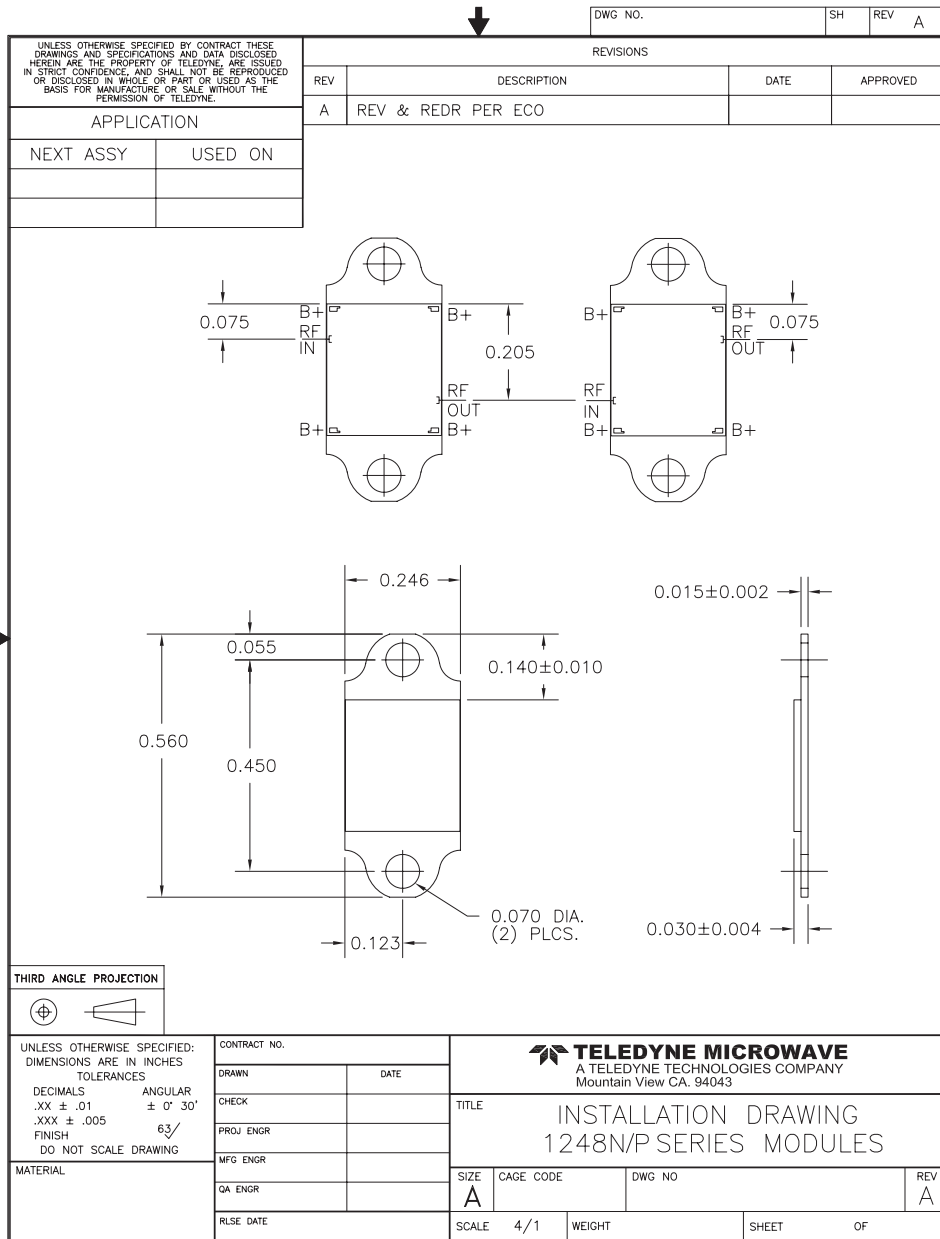
ISO 9001:2000

1274 Terra Bella Avenue, Mountain View, CA 94043 • PHN# 800.832.6869 or +1.650.962.6944 • FAX# 650.962.6845
www.teledynemicrowave.com • microwave@teledyne.com

CGM-10-8001

Module Amplifier

8 GHz - 10 GHz



THIRD ANGLE PROJECTION

UNLESS OTHERWISE SPECIFIED: DIMENSIONS ARE IN INCHES TOLERANCES		CONTRACT NO.		 TELEDYNE MICROWAVE A TELEDYNE TECHNOLOGIES COMPANY Mountain View CA. 94043		
DECIMALS .XX ± .01	ANGULAR ± 0' 30"	DRAWN	DATE			
.XXX ± .005	63/	CHECK		INSTALLATION DRAWING		
DO NOT SCALE DRAWING		PROJ ENGR		1248N/P SERIES MODULES		
MATERIAL		MFG ENGR		SIZE	CAGE CODE	DWG NO
		QA ENGR		A		A
		RLSE DATE		SCALE	WEIGHT	SHEET OF
				4/1		



ISO 9001:2000

1274 Terra Bella Avenue, Mountain View, CA 94043 • PHN# 800.832.6869 or +1.650.962.6944 • FAX# 650.962.6845
 www.teledynemicrowave.com • microwave@teledyne.com