

PLEASE CHECK WWW.MOLEX.COM FOR LATEST PART INFORMATION

Part Number: [0351550703](#)
Status: **Active**
Description: 2.50mm (.098") Pitch Wire-to-Board Housing, Positive Lock, Yellow, 7 Circuits

Documents:

3D Model	Product Specification PS-35155-002 (PDF)
Drawing (PDF)	Product Specification PS-68143-001 (PDF)
Product Specification PS-35155-001 (PDF)	RoHS Certificate of Compliance (PDF)

Agency Certification

CSA	LR19980
TUV	R72081037
UL	E29179

General

Product Family	Crimp Housings
Series	35155
Product Name	N/A

Physical

Breakaway	No
Circuits (maximum)	7
Flammability	94V-0
Gender	Female
Glow-Wire Compliant	No
Keying to Mating Part	None
Lock to Mating Part	Yes
Number of Rows	1
Packaging Type	Bag
Panel Mount	No
Pitch - Mating Interface (in)	0.098 In
Pitch - Mating Interface (mm)	2.50 mm
Temperature Range - Operating	-40°C to +105°C

Material Info

Reference - Drawing Numbers

Product Specification	PS-35155-001, PS-35155-002, PS-68143-001
Sales Drawing	SD-35155-**0*

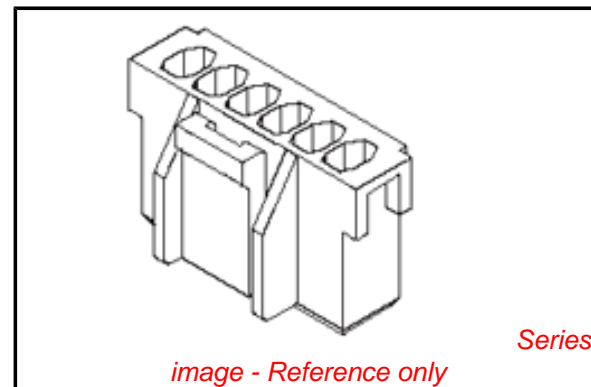


image - Reference only

EU RoHS **China RoHS**

Compliance Status

Not Reviewed

REACH SVHC

Not Reviewed

Halogen-Free

Status

Not Reviewed

Need more information on product environmental compliance?

Email productcompliance@molex.com
 For a multiple part number RoHS Certificate of Compliance, [click here](#)

Please visit the [Contact Us](#) section for any non-product compliance questions.

Search Parts in this Series

[35155Series](#)

Mates With

[35312](#) Vertical Shrouded Header, [35184](#) Wire-to-Wire Plug Housing

Use With

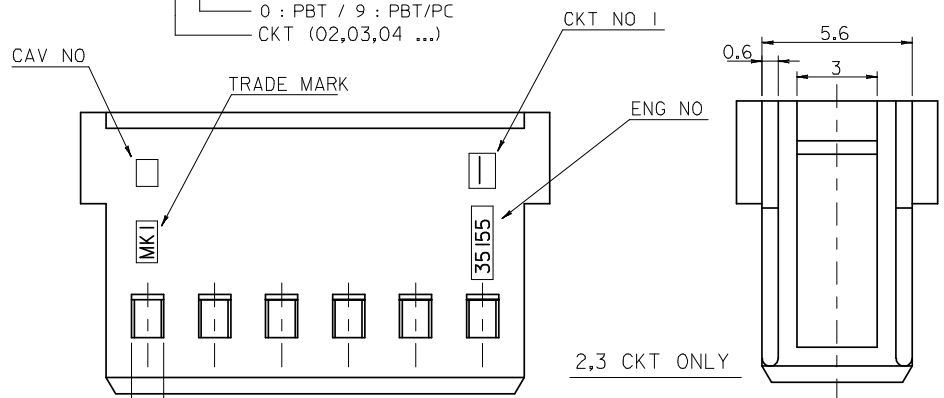
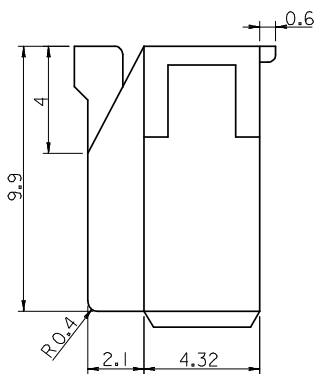
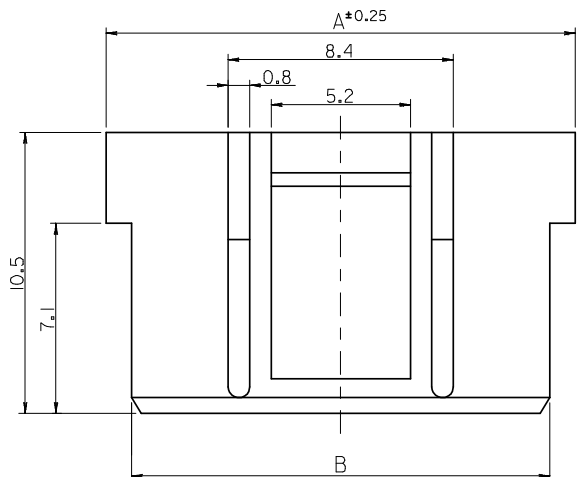
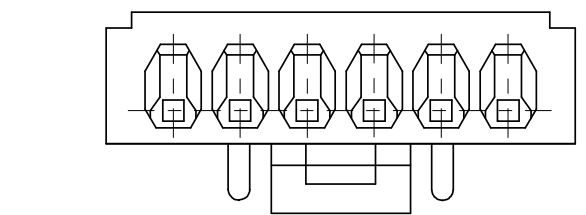
[5103](#) SPOX™ Crimp Terminal

NOTE

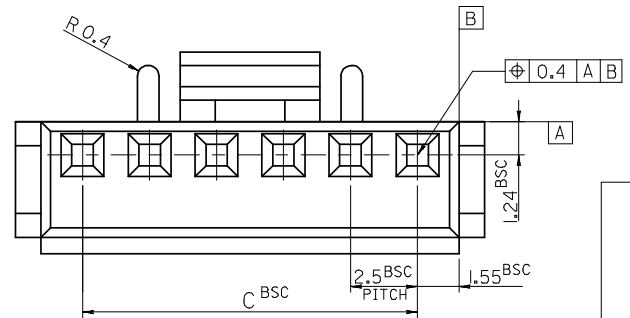
- 1. MATERIAL : SEE TABLE
- 2. USED WITH TERMINAL : 5103-*
- 3. MATED WITH WAFER ASS'Y : 35312-***1*

LEGEND

35155 - ** *
 COLOR : 0 --- NATURAL
 1 --- BLACK
 2 --- RED
 3 --- YELLOW
 4 --- BLUE
 0 : PBT / 9 : PBT/PC
 CKT (02,03,04 ...)



35	38.1	40	35155151*	35155-15**	15
32.5	35.6	37.5	4 14**	4 -14**	14
30	33.1	35	13**	-13**	13
27.5	30.6	32.5	12**	-12**	12
25	28.1	30	11**	-11**	11
22.5	25.6	27.5	10**	-10**	10
20	23.1	25	09**	-09**	9
17.5	20.6	22.5	08**	-08**	8
15	18.1	20	07**	-07**	7
12.5	15.6	17.5	06**	-06**	6
10	13.1	15	05**	-05**	5
7.5	10.6	12.5	04**	-04**	4
5	8.1	10	03**	-03**	3
2.5	5.6	7.5	3515502**	35155-020*	2
C	B	A	MATERIAL NO.	ENG NO.	CKT.



REVISED	EC NO: KOR2008-0103	2007/12/24
DRWN: SKHAN01	2007/12/24	
CHKD: WY. YANG	2007/12/24	
APPR: YUNS IKK IM	2007/12/24	
REV	DESCRIPTION	

QUALITY SYMBOLS	GENERAL TOLERANCES (UNLESS SPECIFIED)
▽=0	4 PLACES ± --- ± ---
▽C=0	3 PLACES ± --- ± ---
	2 PLACES ± --- ± ---
	1 PLACE ± 0.1 ± ---
	ANGULAR ± 1°
	DRAFT WHERE APPLICABLE MUST REMAIN WITHIN DIMENSIONS

DIMENSION STYLE IN/MM	
DRAWN BY	DATE
SK. HAN	2007/12/13
CHECKED BY	DATE
WY. YANG	2007/12/13
APPROVED BY	DATE
EH. JUNG	2007/12/13
MATERIAL NO.	DOCUMENT NO.
SEE TABLE	SD-35155-***0*

SCALE 5:1	DESIGN UNITS METRIC	THIRD ANGLE PROJECTION
2.5 PITCH W/B CONN. HOUSING		
MOLEX INCORPORATED		
SHEET NO. 1 OF 1		