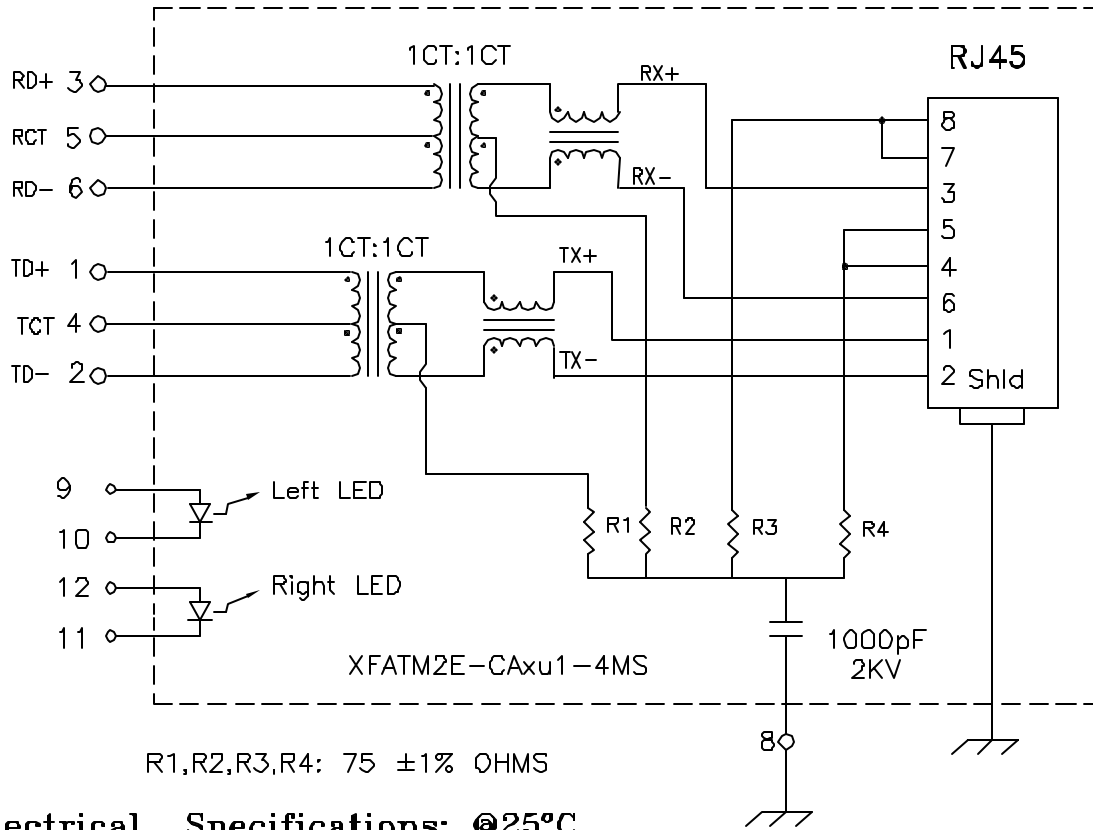


Schematic:



Electrical Specifications: @25°C

Isolation Voltage: 1500 Vrms (INPUT to OUTPUT)
 UTP SIDE OCL: 350uH Min @100KHz 100mV 8mADC
 Rise Time (10-90%): 2.5ns Typical
 Insertion Loss (300KHz-100MHz): -1.1dB Maximum
 Insertion Loss (100MHz-125MHz): -1.5dB Maximum
 Return Loss: -18dB Typ. @30MHz
 -12dB Typ. @80MHz

Crosstalk:

300KHz-60MHz -40dB Typical
 60MHz-100MHz -38dB Typical

Common Mode to Differential Mode Rejection:

300KHz-60MHz -45dB Typ (Tx) / -40dB Typ (Rx)
 60MHz-100MHz -40dB Typ (Tx) / -35dB Typ (Rx)

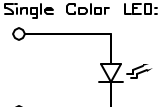
Notes:

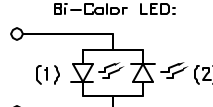
1. Solderability: Leads shall meet MIL-STD-202, Method 208D for solderability.
 2. Flammability: UL94V-0
 3. ASTM oxygen index: > 28%
 4. Insulation System: Class F 155°C. UL file E151558
 5. Operating Temperature Range: All listed parameters are to be within tolerance from -40°C to +85°C
 6. Storage Temperature Range: -55°C to +125°C
 7. Aqueous wash compatible
 8. Electrical and mechanical specifications 100% tested
 9. RoHS Compliant Component
- Complete the Combo P/N as follows:

Replace 'x' & 'u' in the part number with one of the LED color letters:

Y=Yellow 'x' = Left LED Color
 G=Green 'u' = Right LED Color
 A=Amber
 R=Red

C=Green(1)/Amber(2) Bicolor
 D=Amber(1)/Green(2) Bicolor
 M=Green(1)/Yellow(2) Bicolor
 N=Yellow(1)/Green(2) Bicolor
 P=Red(1)/Green(2) Bicolor
 Q=Green(1)/Red(2) Bicolor

Single Color LED: 

Bi-Color LED: 

XFMRs Inc
 www.XFMRs.com

Title: **SINGLE PORT COMBO**

UNLESS OTHERWISE SPECIFIED
 TOLERANCES:
 .xxx ±0.010
 Dimensions in Inch

XFATM2E-CAXu1-4MS		REV. B
DWN.	Juan Mao	May-11-06
CHK.	YK Liao	May-11-06
APP.	MS	May-11-06

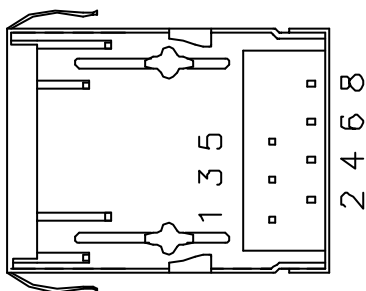
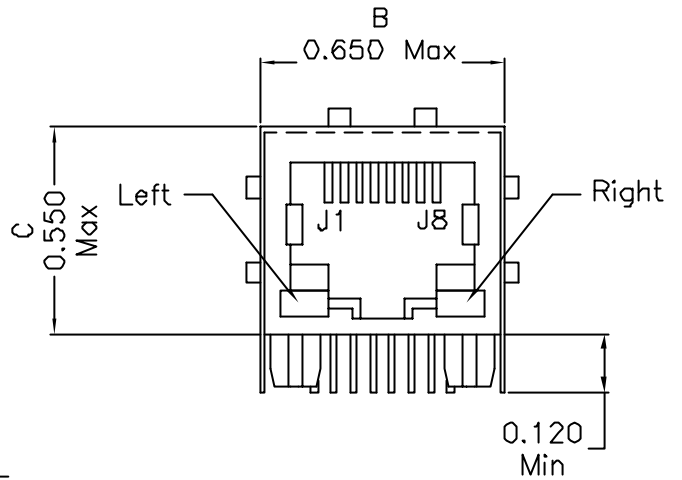
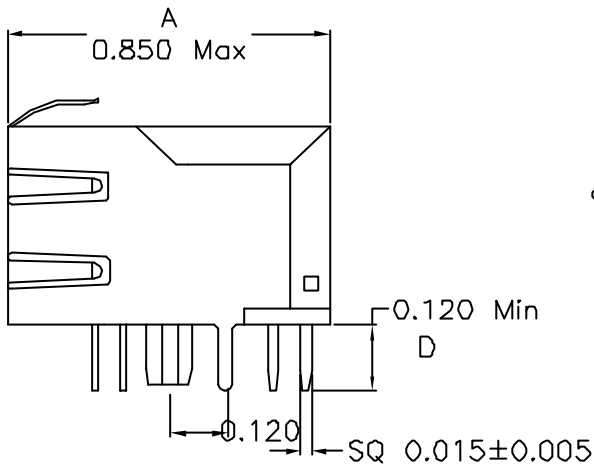
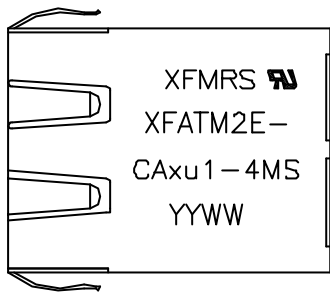
DOC. REV B/15

PROPRIETARY

Document is the property of XFMRs Group & is not allowed to be duplicated without authorization.

SHEET 1 OF 2

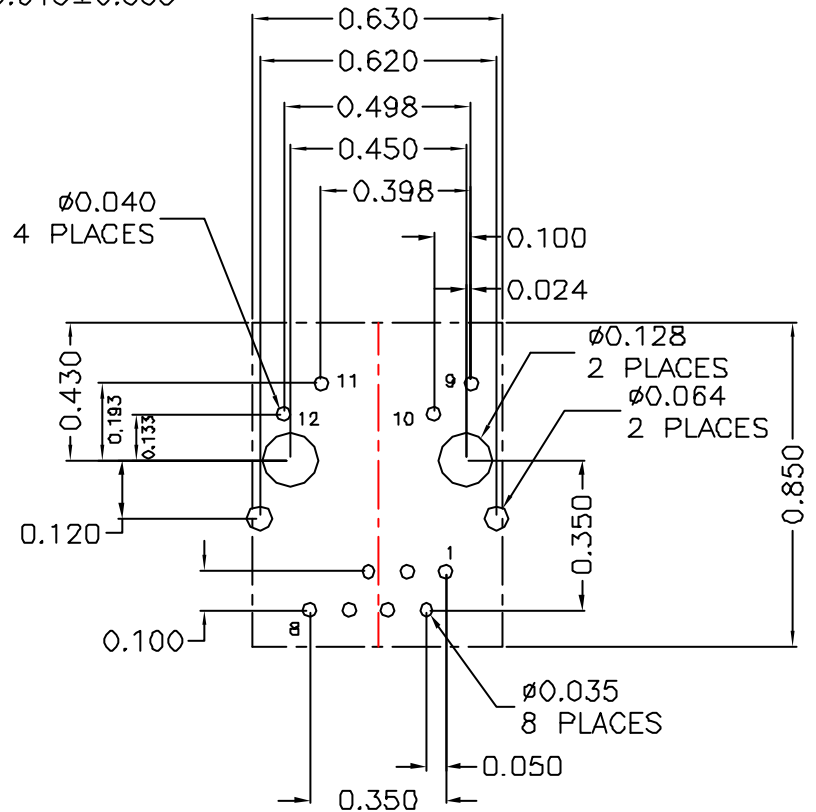
Mechanical Dimensions:



(BOTTOM VIEW)

Mounting Pattern:

(COMP SIDE)



XFMRs Inc www.XFMRs.com	Title: Mechanical Dimensions For CAxu1-4MS Series		
	UNLESS OTHERWISE SPECIFIED TOLERANCES: .xxx ±0.010 Dimensions in Inch	P/N: XFATM2E-CAxu1-4MS	REV. B
SHEET 2 OF 2	DWN.	Juan Mao	May-11-06
	CHK.	YK Liao	May-11-06
	APP.	MS	May-11-06

DOC. REV: B/15

PROPRIETARY

Document is the property of XFMRs Group & is not allowed to be duplicated without authorization.