

Customer Information Sheet

DRAWING No. H3192-XX

SHEET 2 OF 2

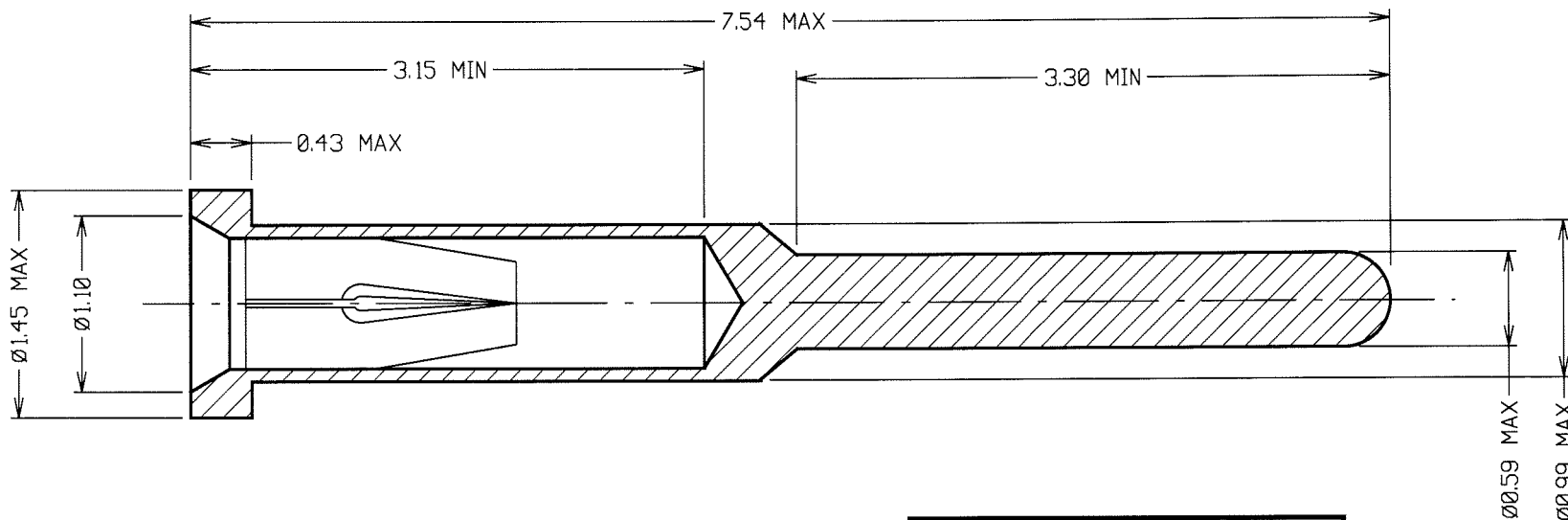
IF IN DOUBT - ASK

©

NOT TO SCALE

THIRD ANGLE PROJECTION

ALL DIMENSIONS IN mm



SPECIFICATION:

MATERIAL:

CONTACT SHELL - BRASS
CONTACT CLIP - BERYLLIUM COPPER

FINISH:

01 - 0.1 μ GOLD CLIP, 4 μ TIN SHELL
05 - 0.1 μ GOLD CLIP, 0.13 μ GOLD SHELL
46 - 1.3 μ 100% TIN CLIP, 4 μ TIN SHELL

ELECTRICAL:

CURRENT RATING AT 25°C = 2A MAX
CURRENT RATING AT 85°C = 1.75A MAX
CONTACT RESISTANCE (INITIAL) = 15 MILLIOHMS MAX
CONTACT RESISTANCE (AFTER CONDITIONING) = 25 MILLIOHMS MAX

MECHANICAL:

INSERTION FORCE (INITIAL) = 6N MAX, 2N MIN ($\varnothing 0.5$ mm GAUGE)
WITHDRAWAL FORCE (INITIAL) = 1.5N MIN, 0.5N MIN ($\varnothing 0.5$ mm GAUGE)
DURABILITY - 01, 05 = 500 OPERATIONS
46 = 50 OPERATIONS

ENVIRONMENTAL:

OPERATING TEMPERATURE = -55°C TO +125°C
FOR COMPLETE SPECIFICATION, SEE COMPONENT SPECIFICATION C006XX (LATEST ISSUE).

ORDER CODE:

H3192-XX

FINISH:

01 - GOLD CLIP, TIN SHELL
05 - GOLD CLIP, GOLD SHELL
46 - 100% TIN CLIP, TIN SHELL

NOTES:

1. RECOMMENDED PIN LENGTH = 2.40-2.30mm.
2. RECOMMENDED MOUNTING HOLE SIZE = $\varnothing 1.10$ -1.00mm.
3. RECOMMENDED PIN SIZE = $\varnothing 0.51$ - $\varnothing 0.46$ mm.

JMB	3	12.07.05	8627
NAME	ISS.	DATE	C/NOTE
APPROVED: <i>[Signature]</i>			
CHECKED: <i>[Signature]</i>			
DRAWN: J CLAY			
CUSTOMER REF.:			
ASSEMBLY DRG:			

HARWIN

HARWIN USA TEL: 603 893 5376 FAX: 603 893 5396 mis@harwin.com	HARWIN Europe (UK) TEL: 023 9231 4545 FAX: 023 9231 4590 mis@harwin.co.uk	HARWIN Asia TEL: +65 6 779 4909 FAX: +65 6 779 3868 mis@harwin.com.sg
--	--	--

THIS DRAWING AND ANY INFORMATION OR DESCRIPTIVE MATTER SET OUT HEREON ARE CONFIDENTIAL AND COPYRIGHT PROPERTY OF THE HARWIN GROUP AND MUST NOT BE DISCLOSED, LOANED, COPIED, OR USED FOR MANUFACTURING, TENDERING OR FOR ANY OTHER PURPOSE WITHOUT THEIR WRITTEN PERMISSION.

TOLERANCES
X. = ± 1 mm
X.X = ± 0.25 mm
X.XX = ± 0.10 mm
X.XXX = ± 0.01 mm
ANGLES = $\pm 5^\circ$
UNLESS STATED

MATERIAL:
SEE ABOVE
FINISH: SEE ABOVE
S/AREA: mm²

TITLE:
SUB-MINIATURE SOCKET ASSEMBLY
DRAWING NUMBER:
H3192-XX

SHT
2
OF
2