

PLEASE CHECK WWW.MOLEX.COM FOR LATEST PART INFORMATION

Part Number: [0449140602](#)
Status: **Active**
Overview: [microfit_30](#)
Description: 3.00mm (.118") Pitch Micro-Fit 3.0 CPI™ Header, Dual Row, Vertical, Compliant Pin Interface, 6 Circuits, LCP, Glass-Filled, UL 94V-0, 0.38µm (15µ") Gold (Au) Selective Contact Plating, Tin/Lead (Sn/Pb) Plated Tails, Glow Wire Compatible

Documents:

[3D Model](#) [Product Specification PS-43045 \(PDF\)](#)
[Drawing \(PDF\)](#) [RoHS Certificate of Compliance \(PDF\)](#)

Agency Certification

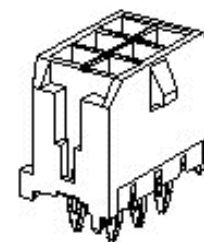
CSA	LR19980
TUV	R72081037
UL	E29179

General

Product Family	PCB Headers
Series	44914
Application	Wire-to-Board
Application Tooling Part Link	622008400
Comments	Glow Wire Equivalent Part Number 449140602 . High Temperature, Square Pin
Overview	microfit_30
Product Literature Order No	USA-106
Product Name	Micro-Fit 3.0 CPI™

Physical

Breakaway	No
Circuits (Loaded)	6
Circuits (maximum)	6
Durability (mating cycles max)	30
Flammability	94V-0
Glow-Wire Compliant	Yes
Lock to Mating Part	Yes
Material - Metal	High Performance Alloy (HPA)
Material - Plating Mating	Gold
Material - Plating Termination	90/10 Tin Lead
Number of Rows	2
Orientation	Vertical
PCB Locator	Yes
PCB Retention	Yes
Packaging Type	Tray
Pitch - Mating Interface (in)	0.118 In
Pitch - Mating Interface (mm)	3.00 mm
Plating min: Mating (µin)	15.2
Plating min: Mating (µm)	0.38
Plating min: Termination (µin)	50
Plating min: Termination (µm)	1.25
Polarized to Mating Part	Yes
Polarized to PCB	Yes
Shrouded	Fully
Stackable	No
Surface Mount Compatible (SMC)	No
Temperature Range - Operating	-40°C to +105°C
Termination Interface: Style	Through Hole - Compliant Pin



Series

image - Reference only

EU RoHS

RoHS Compliant by Exemption

REACH SVHC

Contains SVHC: No

Halogen-Free

Status

Halogen-Free

China RoHS



Pb

Need more information on product environmental compliance?

Email productcompliance@molex.com
 For a multiple part number RoHS Certificate of Compliance, [click here](#)

Please visit the [Contact Us](#) section for any non-product compliance questions.

Search Parts in this Series

[44914Series](#)

Mates With

[43025-0600](#) Receptacle

Application Tooling | FAQ

Tooling specifications and manuals are found by selecting the products below. Crimp Height Specifications are then contained in the Application Tooling Specification document.

Global

Description	Product #
Micro-Fit™	0622008400
Compliant Pin	
Insertion Flat Rock	
Tool	

Electrical

Current - Maximum per Contact 5A
Voltage - Maximum 250V

Solder Process Data

Replacement RoHS Compliant Part Number 0449145602

Material Info**Reference - Drawing Numbers**

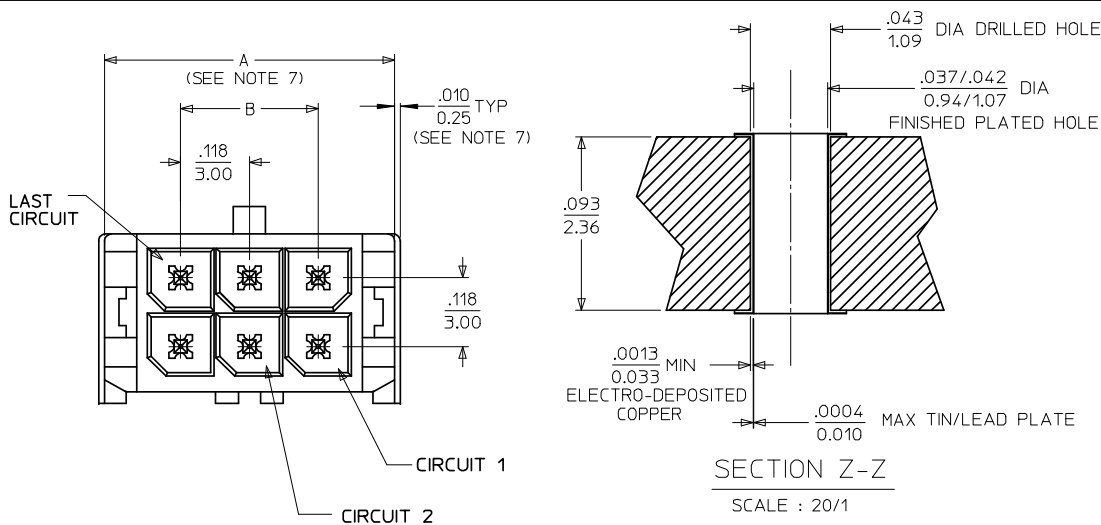
Packaging Specification PK-70873-0314
Product Specification PS-43045, RPS-43045-003, RPS-43045-004
Sales Drawing SD-44914-001

This document was generated on 05/24/2010

PLEASE CHECK WWW.MOLEX.COM FOR LATEST PART INFORMATION

13 12 11 10 9 8 7 6 5 4 3 2 1

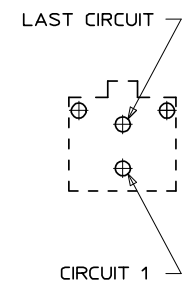
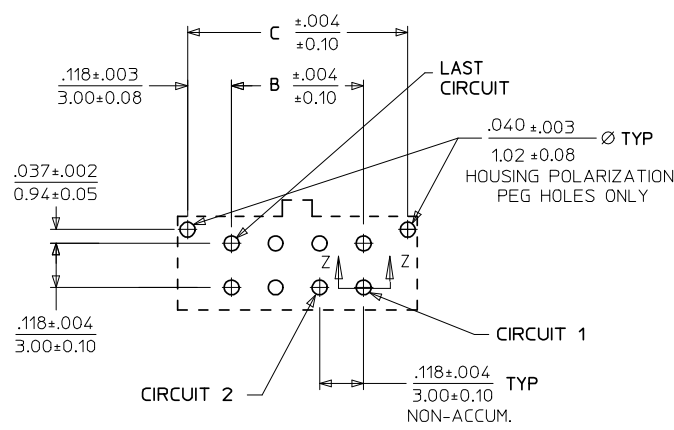
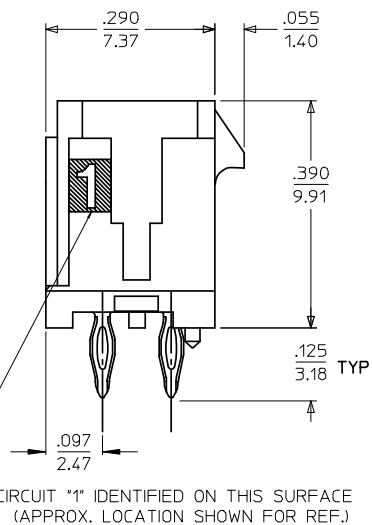
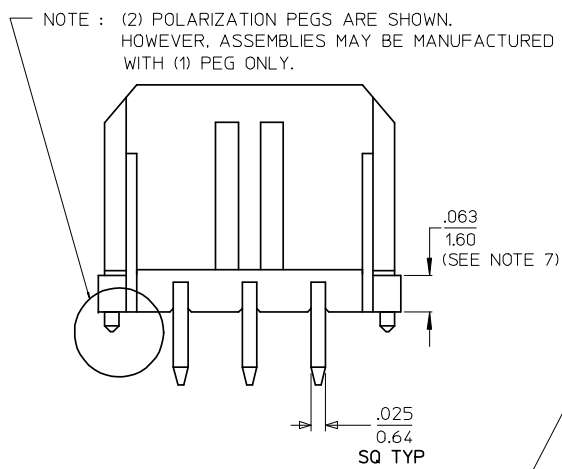
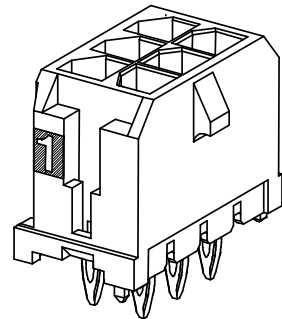
J
I
H
G
F
E
D
C
B
A



	FINISH: A	FINISH: B	FINISH: C
CKTS	MATERIAL NO:	MATERIAL NO:	MATERIAL NO:
02	44914-0201	44914-0202	44914-0203
04	44914-0401	44914-0402	44914-0403
06	44914-0601	44914-0602	44914-0603
08	44914-0801	44914-0802	44914-0803
10	44914-1001	44914-1002	44914-1003
12	44914-1201	44914-1202	44914-1203
14	44914-1401	44914-1402	44914-1403
16	44914-1601	44914-1602	44914-1603
18	44914-1801	44914-1802	44914-1803
20	44914-2001	44914-2002	44914-2003
22	44914-2201	44914-2202	44914-2203
24	44914-2401	44914-2402	44914-2403

CKTS	A (SEE NOTE 7)	B	C
02	.262 6.65	NA	.236 6.00
04	.380 9.65	.118 3.00	.354 9.00
06	.498 12.65	.236 6.00	.472 12.00
08	.616 15.65	.354 9.00	.591 15.00
10	.734 18.65	.472 12.00	.709 18.00
12	.852 21.65	.591 15.00	.827 21.00
14	.970 24.65	.709 18.00	.945 24.00
16	1.088 27.65	.827 21.00	1.063 27.00
18	1.206 30.65	.945 24.00	1.181 30.00
20	1.325 33.65	1.063 27.00	1.299 33.00
22	1.443 36.65	1.181 30.00	1.417 36.00
24	1.561 39.65	1.299 33.00	1.535 39.00

SECTION Z-Z
SCALE : 20/1



PCB LAYOUT: COMPONENT SIDE
RECOMMEND PCB THICKNESS: .093/2.36

PCB LAYOUT: 2 CKT HEADER

NOTES:

- HOUSING MATERIAL: GLASS FILLED LIQUID CRYSTAL POLYMER, UL94V-0, COLOR: BLACK
TERMINAL MATERIAL: MODIFIED TIN/BRASS ALLOY
- FINISH: A = .000200/(0.0051) MIN. TIN OVER .000050/(0.0013) MIN. NICKEL PLATE.
B = .000015/(0.00038) MINIMUM GOLD IN SELECTIVE AREA,
.000060/(0.00152) MINIMUM TIN/LEAD (90/10) ON PCB TAILS,
BOTH OVER .000050/(0.00127) MINIMUM NICKEL PLATE.
C = .000030/(0.00076) MINIMUM GOLD IN SELECTIVE AREA,
.000060/(0.00152) MINIMUM TIN/LEAD (90/10) ON PCB TAILS,
BOTH OVER .000050/(0.00127) MINIMUM NICKEL PLATE.
- PRODUCT SPECIFICATION: PS-43045
- TRAY PACKAGED: SEE MOLEX DRAWING PK-70873-0314
- MATES WITH MICRO FIT (3.0) RECEPTACLE SERIES 43025
- HEADER INSTALLATION REQUIRES A MINIMUM FORCE OF 24LBS/(107 N) PER CIRCUIT DISTRIBUTED EQUALLY ACROSS THE ENTIRE HOUSING SURFACE.
- .010/0.25 OFFSETS ARE PRESENT ON ALL PARTS MANUFACTURED AFTER 11/1/2007, AND ON PARTS PRIOR TO 11/1/2007 THAT CONTAIN A GREEN DOT ON THE PRIMARY SHIPPING CARTON LABEL.
- THIS PART CONFORMS TO CLASS B REQUIREMENTS OF COSMETIC SPECIFICATION PS-45499-002.

CIRCUIT "1" IDENTIFIED ON THIS SURFACE
(APPROX. LOCATION SHOWN FOR REF.)

ADD .097 DIM. NOTE 8 EC NO: UCP2008-0324 DRWN:MKI/PPER 2007/12/19 CHKD:SSOUSEK 2007/12/20 APPR:FSMLTH 2007/12/21	QUALITY SYMBOLS ▽=0 ▽=0	GENERAL TOLERANCES (UNLESS SPECIFIED)		DIMENSION STYLE IN/MM		SCALE ---	DESIGN UNITS METRIC	THIRD ANGLE PROJECTION
		4 PLACES ±--- ±--- 3 PLACES ±--- ±.010 2 PLACES ±.025 ±.014 1 PLACE ±0.36 ±--- ANGULAR ±1/2°	DRAWN BY BURLERSON DATE 2001/08/30	CHECKED BY MUELLER DATE 2001/08/30	APPROVED BY MARGULIS DATE 2001/08/30	TITLE MICRO FIT HEADER VERTICAL COMPLIANT PIN TRAY PACKED		MOLEX MOLEX INCORPORATED
H2	DRAFT WHERE APPLICABLE MUST REMAIN WITHIN DIMENSIONS	MATERIAL NO. SEE CHART		DOCUMENT NO. SD-44914-001		SHEET NO. 1 OF 1		THIS DRAWING CONTAINS INFORMATION THAT IS PROPRIETARY TO MOLEX INCORPORATED AND SHOULD NOT BE USED WITHOUT WRITTEN PERMISSION

12 11 10 9 8 7 6 5 4 3 2 1