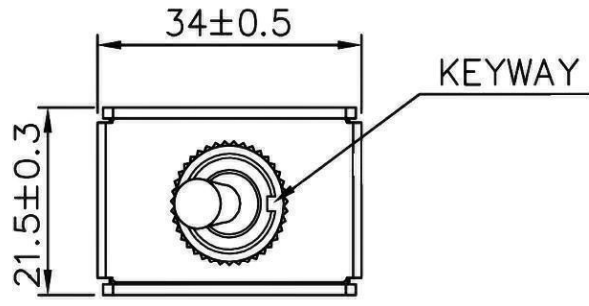
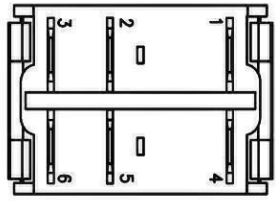
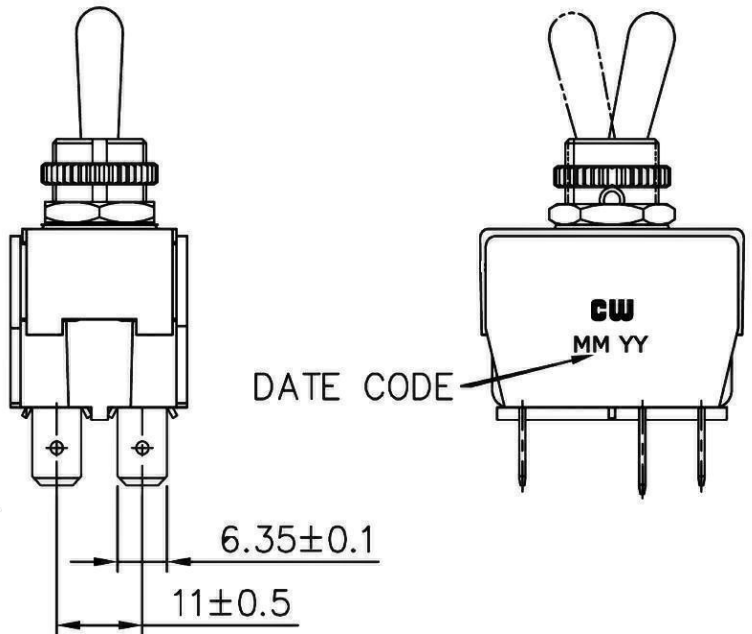
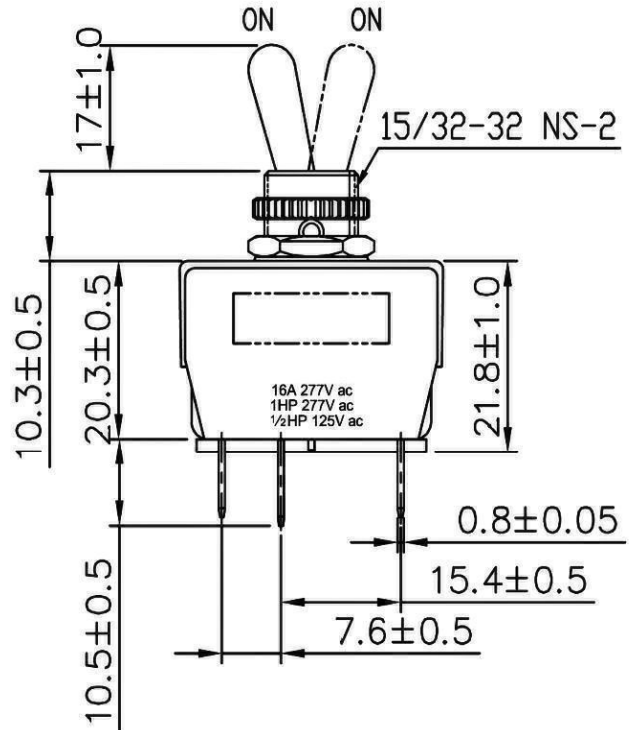


THIS INFORMATION IS CONFIDENTIAL AND PROPRIETARY TO CW INDUSTRIES INCORPORATED AND ITS AFFILIATES. IT MAY NOT BE DISCLOSED TO ANYONE, OTHER THAN CW INDUSTRIES PERSONNEL, WITHOUT WRITTEN AUTHORIZATION FROM CW INDUSTRIES INCORPORATED, SOUTHAMPTON, PENNSYLVANIA USA.

Rating	16A 277V AC 1HP 277V AC 1/2HP 125V AC		
Contact Resistance	50m ohm Max.		
Insulation Resistance	DC 500V 100M ohm Min.		
Dielectric Strength	AC 1500V 1 minute		
Switch Function	6P DPDT ON-ON		
Operation Temperature	0°0~85°C		



MATERIAL:
 Frame: Nylon 66,Black
 UL Flame: 94-V2
 Cover: PA#66+30%GF A0520
 UL Flame: 94-V0
 Terminal: Copper Alloy
 Contact: Copper Alloy
 Water proof and dust proof to fit IP-56



RoHS Compliant

1 Removed from drawing. 8/17/10.

CW INDUSTRIES
 Southampton, Pa. 18966
 Tel 215.355.7080/www.cwind.com

Date Drawn: 5/19/10
 Rev. 1
 Title: **TOGGLE SWITCH**

Unit: mm
 Checked By: G. Guld
 CW P/N: **GTS448B101A1HR**