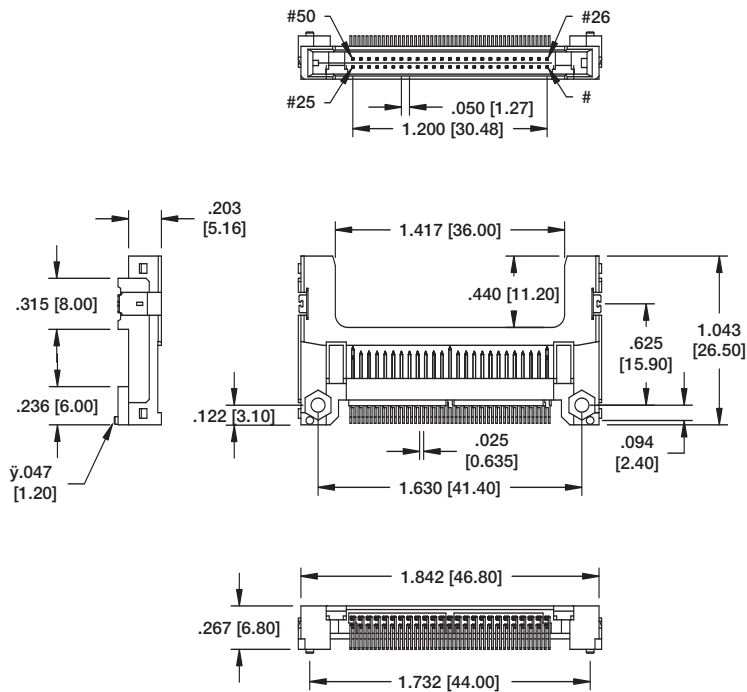
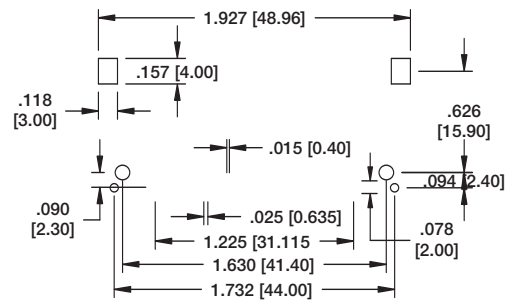


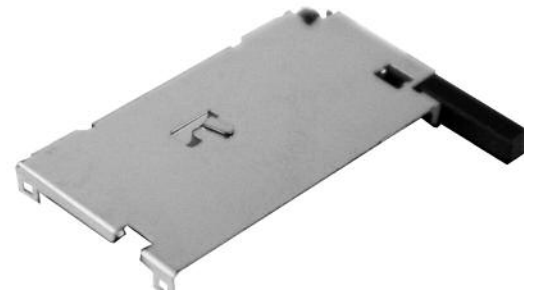
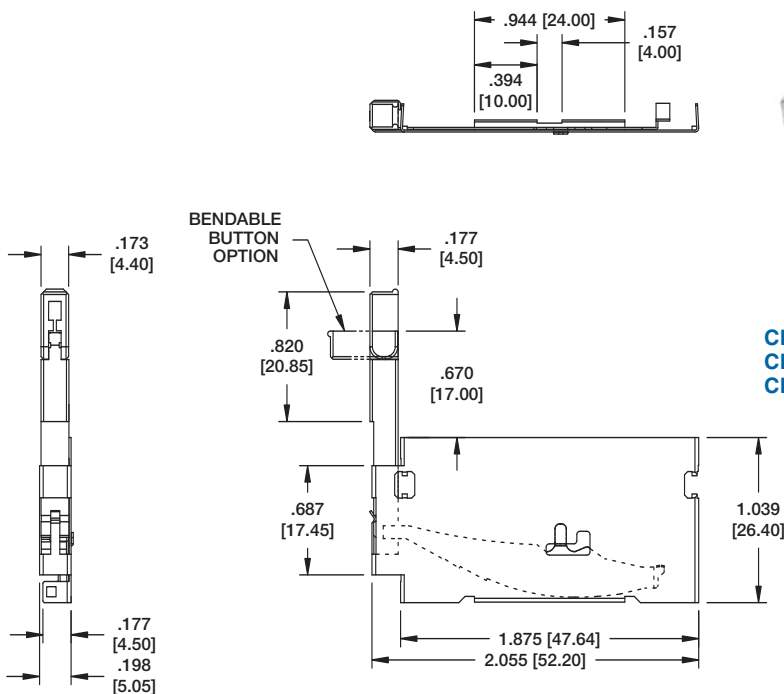
50 PIN COMPACT FLASH, TYPE 1



Part Nos. Available
CF1-50-A-SG (Standard Type)
CF1R-50-A-SG (Reverse Type) Not Shown



50 PIN COMPACT FLASH, EJECTOR (FOR USE WITH CF1 AND CF1R SERIES SOCKETS)



Part Nos. Available
CFE-50-L15 (15.0mm long Ejector button)
CFE-50-L20 (20.0mm long Ejector button)
CFE-50-L22 (22.0mm long Ejector button)
CFEB-50-L15 (15.0mm long bendable Ejector button)
CFEB-50-L20 (20.0mm long bendable Ejector button)
CFEB-50-L22 (22.0mm long bendable Ejector button)