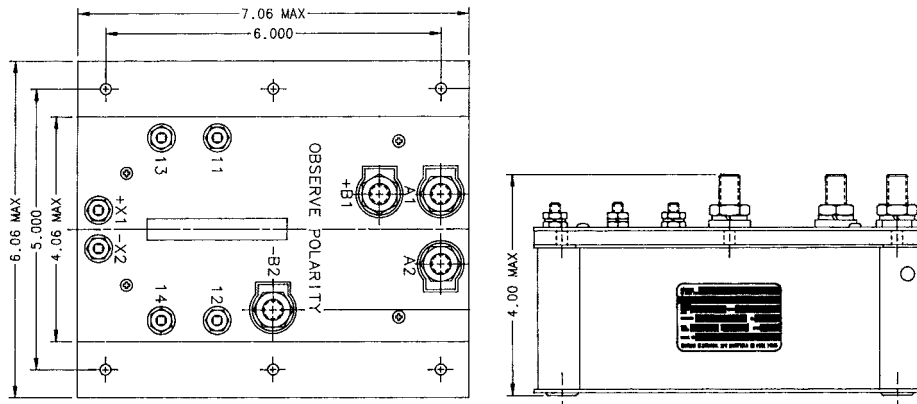
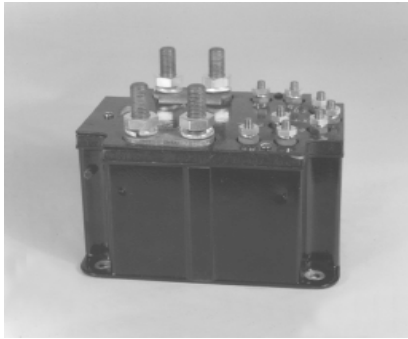


# A-792CA 2PST N.O., 600 Amps, 28 VDC

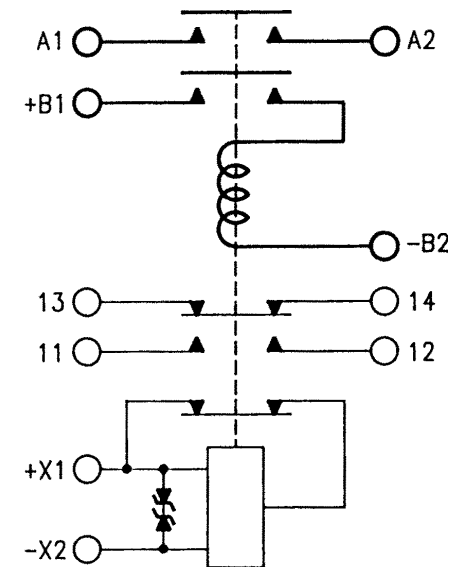


Dimensions for this product are expressed in inches. Multiply values by 25.4 for millimeters.

**Features:**

- 2PST N.O. Main Contacts
- 45 Volt Coil Suppression
- Automatic Drop-Out
- Load Current Holding
- 28 VDC
- 600 Amps
- High Reliability
- Meets many requirements of MIL-R-6106
- Light Weight Construction

**CONTACTOR CONFIGURATION**



**Notes:**

PRODUCT SPECIFICATIONS	
Construction	Gasket Sealed, Vented
Main Contacts:	
Configuration	2PST N.O.
Voltage (Nominal)	28 VDC
Current (Resistive)	600 Amps
Auxiliary Contacts:	
Configuration	Form Z
Voltage (Nominal)	28 Volts
Current	
Resistive	5 Amps
Inductive	3 Amps
Coil Data:	
Duty Cycle	Continuous (Economizing)
Voltage (Nominal)	28 VDC
Pick-Up Voltage	11.5 - 15 VDC
Drop-Out Voltage	1 - 7 VDC
Coil Current @ 28 VDC & +25°C	
In-Rush	1.65 Amp
Hold	.410 Amp
Operating Temperature	-55°C to +71°C
Life:	
Electrical	50,000 Operations
Mechanical	100,000 Operations
Weight Maximum	6 Lbs.

**SPECIAL FEATURES:** With current flow in excess of 450 amperes +B to -B, coil power (+X1, -X2) can be removed. The main and auxiliary contacts will remain in the energized state until the current from +B to -B decreases to 450-150 amperes.

For factory-direct application assistance, contact the HARTMAN product team at (419) 521-9500, Fax (419) 526-2749.

© 2004 by Tyco Electronics Corporation. All Rights Reserved. HARTMAN and TYCO are trademarks.