

PLEASE CHECK WWW.MOLEX.COM FOR LATEST PART INFORMATION

Part Number: **0743201000**
Status: **Active**
Description: MicroCross™ DVI-I Digital/Analog Visual Interface, PCB Receptacle, Through Hole, Right Angle, 2.34mm (.092") P.C. Tail Length, 29 Circuits, Lead Free

Documents:

[Drawing \(PDF\)](#) [Product Specification PS-74320-001 \(PDF\)](#)
[Test Summary \(PDF\)](#) [RoHS Certificate of Compliance \(PDF\)](#)

Agency Certification

UL E29179

General

Product Family I/O Connectors
 Series 74320
 Application Wire-to-Board
 Comments DDWG (Digital Display Working Group) Standard
 Component Type Receptacle
 MolexKits Yes
 Product Name MicroCross™DVI
 Type N/A

Physical

Boot Color N/A
 Circuits (Loaded) 29
 Circuits (maximum) 29
 Color - Resin Natural
 Durability (mating cycles max) 100
 Flammability 94V-0
 Gender Receptacle
 Keying to Mating Part Yes
 Lock to Mating Part Yes
 Material - Metal Copper Alloy
 Material - Plating Mating Gold
 Material - Plating Termination Tin
 Number of Rows 3
 Orientation Right Angle
 PC Tail Length (in) 0.092 In
 PC Tail Length (mm) 2.34 mm
 PCB Locator Yes
 PCB Retention Yes
 Packaging Type Tray
 Panel Mount Yes
 Pitch - Mating Interface (in) 0.075 In
 Pitch - Mating Interface (mm) 1.91 mm
 Pitch - Term. Interface (in) 0.075 In
 Pitch - Term. Interface (mm) 1.91 mm
 Plating min: Mating (µin) 30
 Plating min: Mating (µm) 0.76
 Plating min: Termination (µin) 100
 Plating min: Termination (µm) 2.50
 Polarized to Mating Part Yes
 Polarized to PCB Yes
 Ports 1
 Surface Mount Compatible (SMC) No
 Temperature Range - Operating -20°C to +85°C

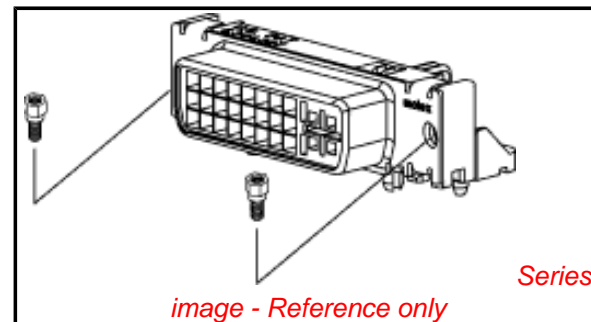


image - Reference only

EU RoHS

**ELV and RoHS
Compliant**

REACH SVHC

Not Reviewed

Halogen-Free

Status

Not Reviewed

**Need more information on product
environmental compliance?**

Email productcompliance@molex.com
 For a multiple part number RoHS Certificate of Compliance, [click here](#)

Please visit the [Contact Us](#) section for any non-product compliance questions.

China RoHS



Search Parts in this Series

74320Series

Mates With

88744 , 74323

Use With

Hex Screw Kit 71781-0001 or 71781-0002

Termination Interface: Style	Through Hole
Waterproof / Dustproof	No
Wire Size AWG	N/A

Electrical

Current - Maximum per Contact	3A
Grounding to Panel	Yes
Shield Type	Full Shield
Shielded	Yes
Voltage - Maximum	40V AC (RMS)

Solder Process Data

Duration at Max. Process Temperature (seconds)	10
Lead-free Process Capability	Reflow Capable (SMT only)
Max. Cycles at Max. Process Temperature	1
Process Temperature max. C	260

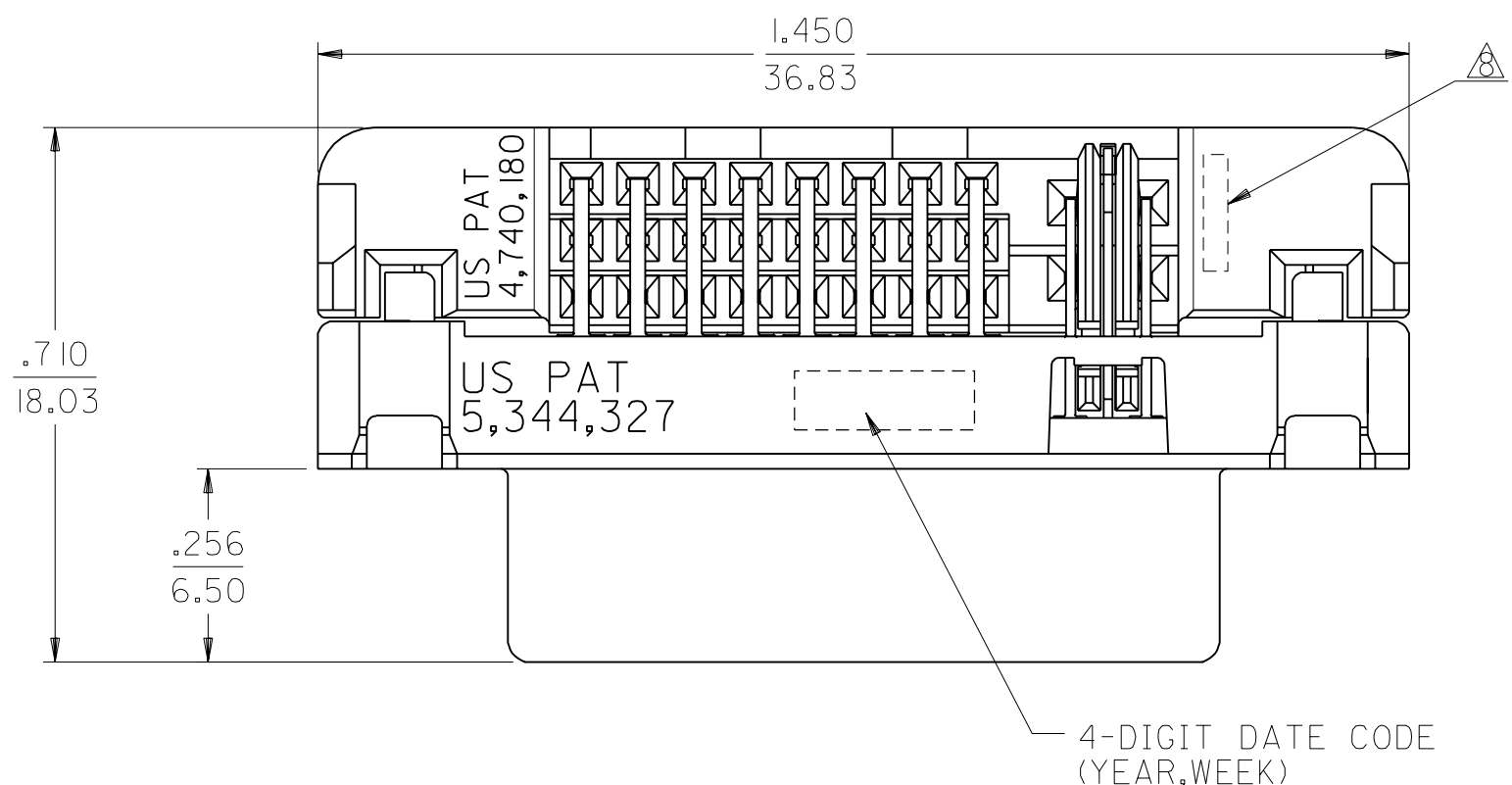
Material Info

Reference - Drawing Numbers

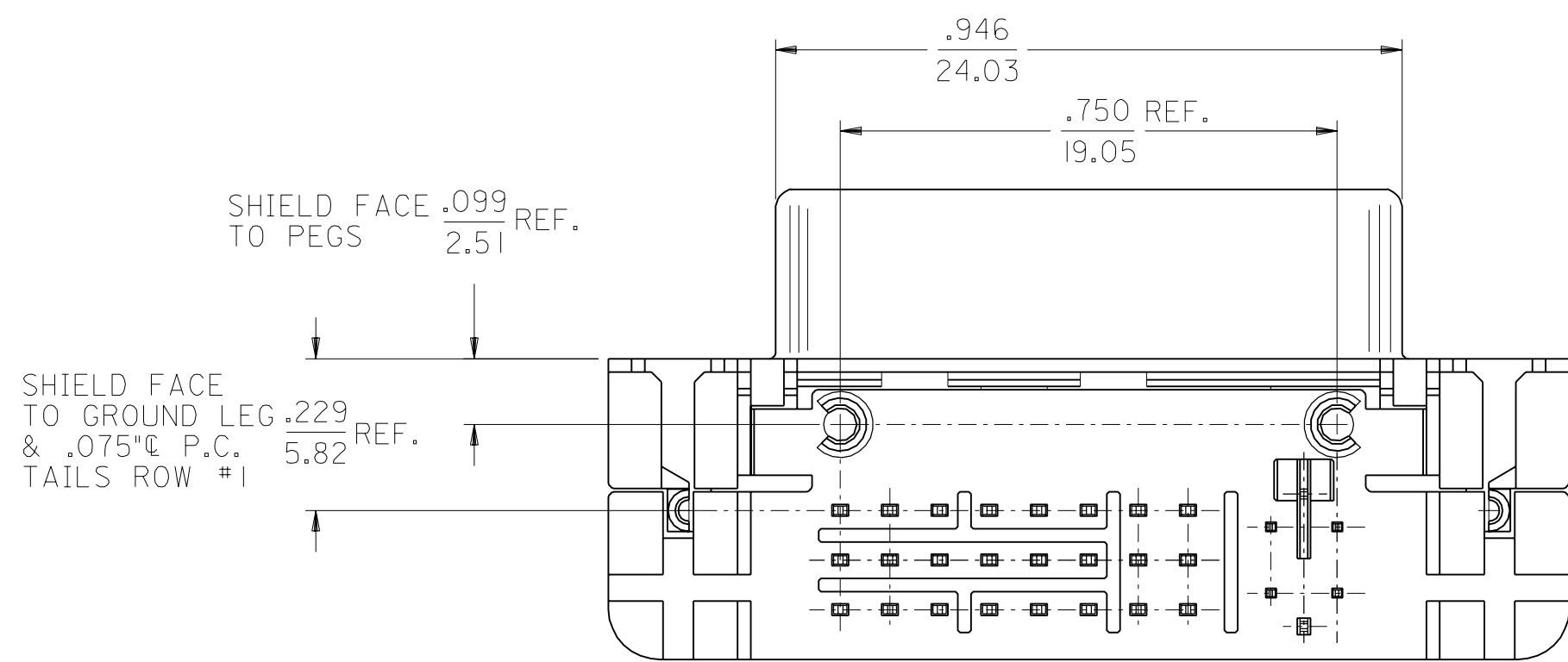
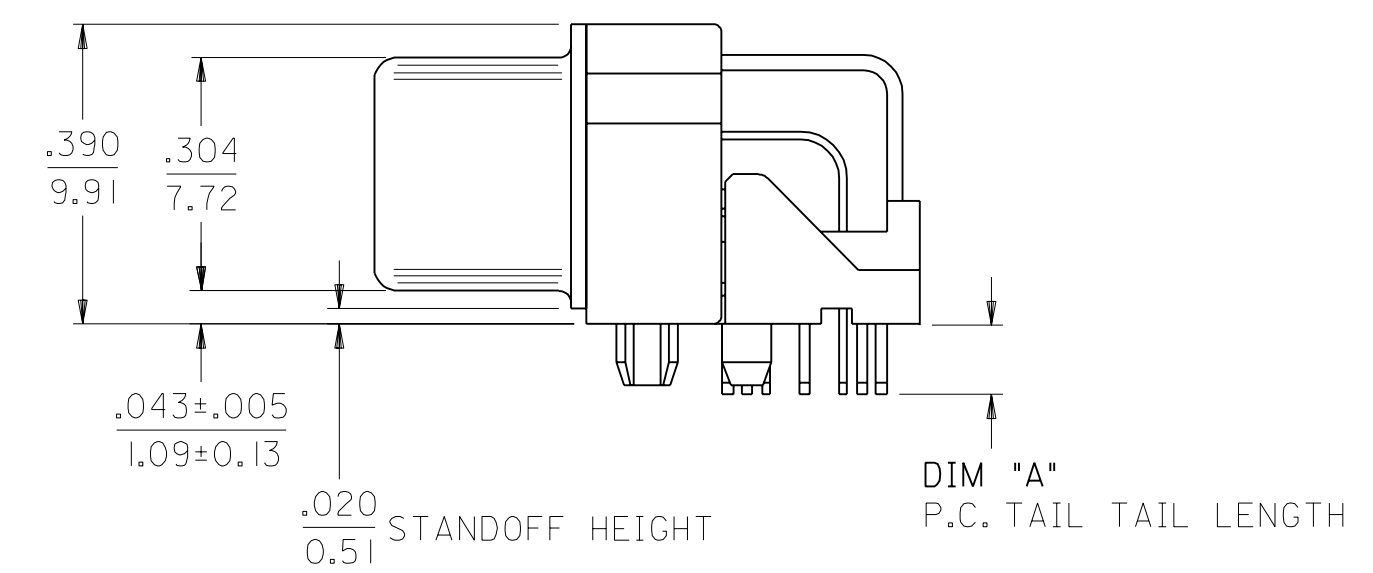
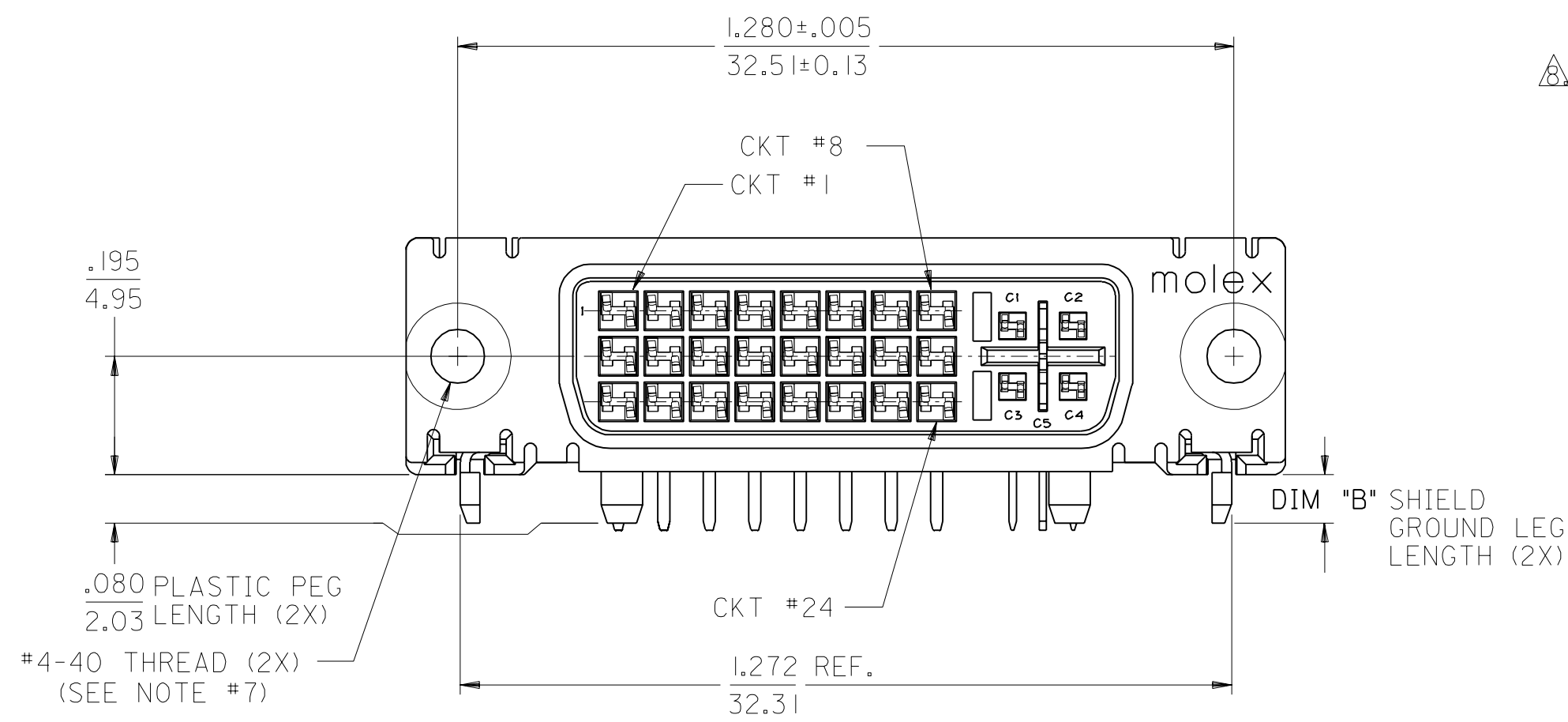
Packaging Specification	PK-74320-010
Product Specification	PS-74320-001, RPS-74320-005, RPS-74320-016
Sales Drawing	SD-74320-001
Test Summary	TS-74320-001

This document was generated on 06/07/2010

PLEASE CHECK WWW.MOLEX.COM FOR LATEST PART INFORMATION

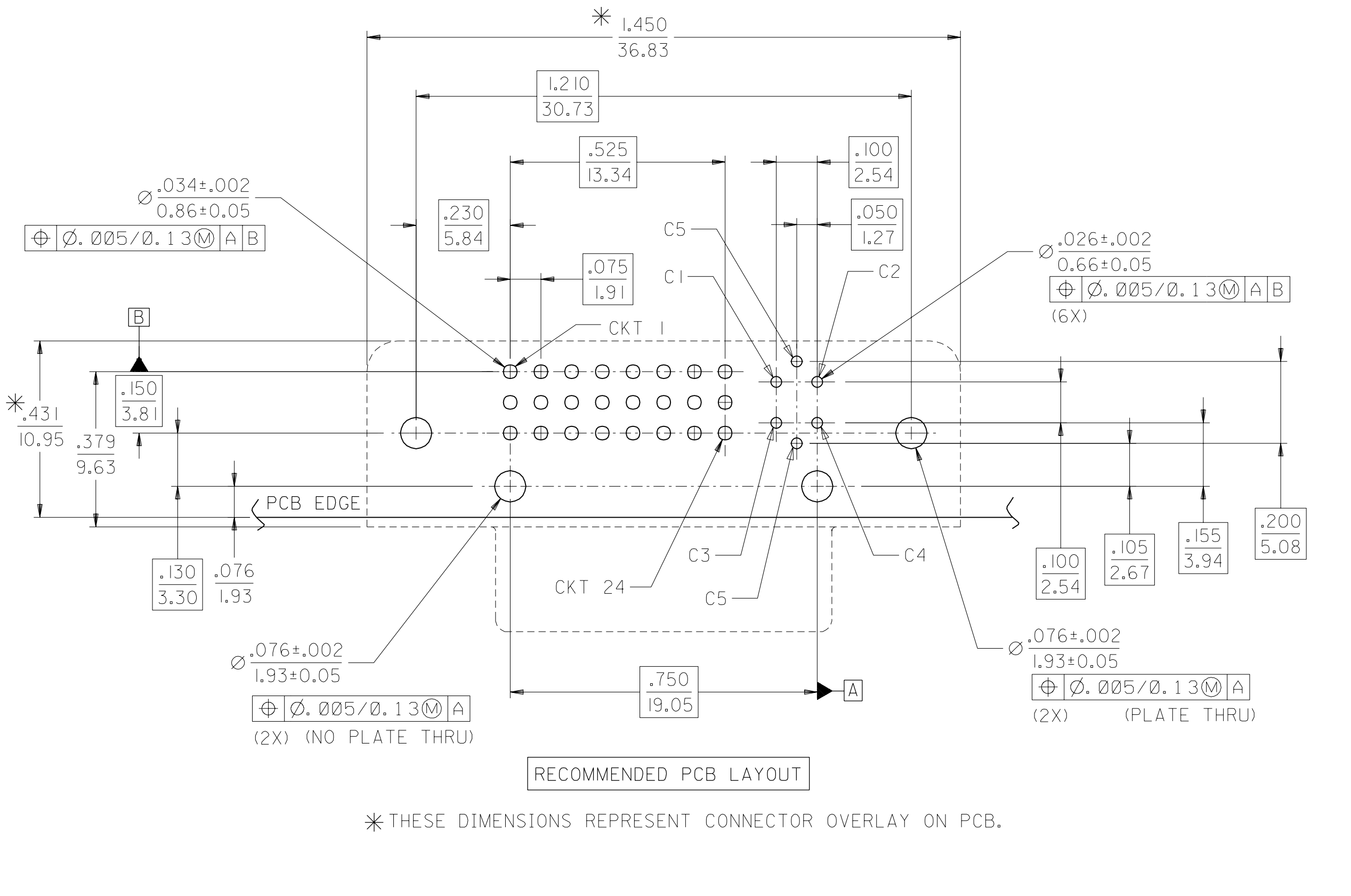


- NOTES:
- MATERIALS:
SHIELD -- DEEP DRAW STEEL.
HOUSING -- GLASS FILLED POLYMER, NATURAL (WHITE), UL 94v-0.
TAIL ALIGNER -- GLASS FILLED POLYMER, NATURAL (WHITE), UL 94v-0.
CONTACTS -- COPPER ALLOY.
MICROCROSS GROUND -- COPPER ALLOY.
 - PLATING: SEE SHEET 2
 - PRODUCT CONFORMS TO MOLEX PRODUCT SPECIFICATION NUMBER PS-74320-001. REFER TO THIS SPECIFICATION FOR SPACING ON A P.C.B. OF TWO OR MORE CONNECTORS WHEN USING A CABLE OR AN ADAPTER ASSEMBLY.
 - SEE SHEET 2 FOR RECOMMENDED PANEL CUT-OUT AND P.C.B. LAYOUT.
 - PARTS WILL BE PACKAGED IN TRAYS PER PK-74320-010.
 - PRODUCT CONFORMS TO DDWG DVI SPECIFICATION. REFER TO THIS SPECIFICATION FOR CONNECTOR MATING DIMENSIONS.
 - RECOMMENDED MOUNTING HARDWARE IS MOLEX P/N 7178I-0001 OR 82007-0300 OR 88780-6066.
REFER TO PRODUCT SPECIFICATION NUMBER PS-74320-001 FOR THE APPLICATION TORQUE REQUIREMENT FOR ASSEMBLING MOUNTING HARDWARE.
- ⚠ CAVITY ID AND MANUFACTURING PLANT CODE.



PART NUMBER	PLATING OPTION	DIM "A"	DIM "B"
74320-1000	1	.092/2.34	.080±.020
74320-1001	1	.050/1.27	2.03±0.51
74320-1003	1	.123/3.12	.110/2.79
74320-1004	2	.092/2.34	.080±.020
74320-1005	2	.050/1.27	2.03±0.51
74320-1006	2	.110/2.79	.110/2.79
74320-1007	2	.123/3.12	.110/2.79

MODIFICATION EC NO. SH2004-0130 DRWN: DXUE 04/03/04 CHK: HARVEY 04/03/11 APPR: SHUANG 04/03/12	QUALITY SYMBOLS	GENERAL TOLERANCES: (UNLESS SPECIFIED)	SCALE 4 : 1	DESIGN UNITS <input type="checkbox"/> mm <input checked="" type="checkbox"/> INCH	THIRD ANGLE PROJECTION <input checked="" type="checkbox"/>	DIMENSIONS: <input type="checkbox"/> INCH ONLY <input checked="" type="checkbox"/> mm ONLY	SHT	REV
	MAJOR = 0	4 PLACES ±0. INCH	DRAWN BY & DATE	MOSULLIV 99/02/12	TITLE: DVI - INTERGRATED RIGHT ANGLE RECEPTACLE CONNECTOR	REVISIONS		
	CRITICAL = 0	3 PLACES ±0. ±.010	CHECKED BY & DATE	MOSULLIV 99/02/12	MOLEX INCORPORATED			
		2 PLACES ±0.25 ±.010	APPROVED BY & DATE	NELLING 99/02/15		CAD FILENAME	MATERIAL NO.	DRAWING NO.
		1 PLACE ±0.25 ±.010	ANGULAR: ± 1/2°	SD74320001.S01	SEE CHART	SD-74320-001	1 OF 2	
			DRAFT WHERE APPLICABLE MUST REMAIN WITHIN DIMENSIONS	THIS DRAWING CONTAINS INFORMATION THAT IS PROPRIETARY TO MOLEX INCORPORATED AND SHOULD NOT BE USED WITHOUT WRITTEN PERMISSION.				SIZE C



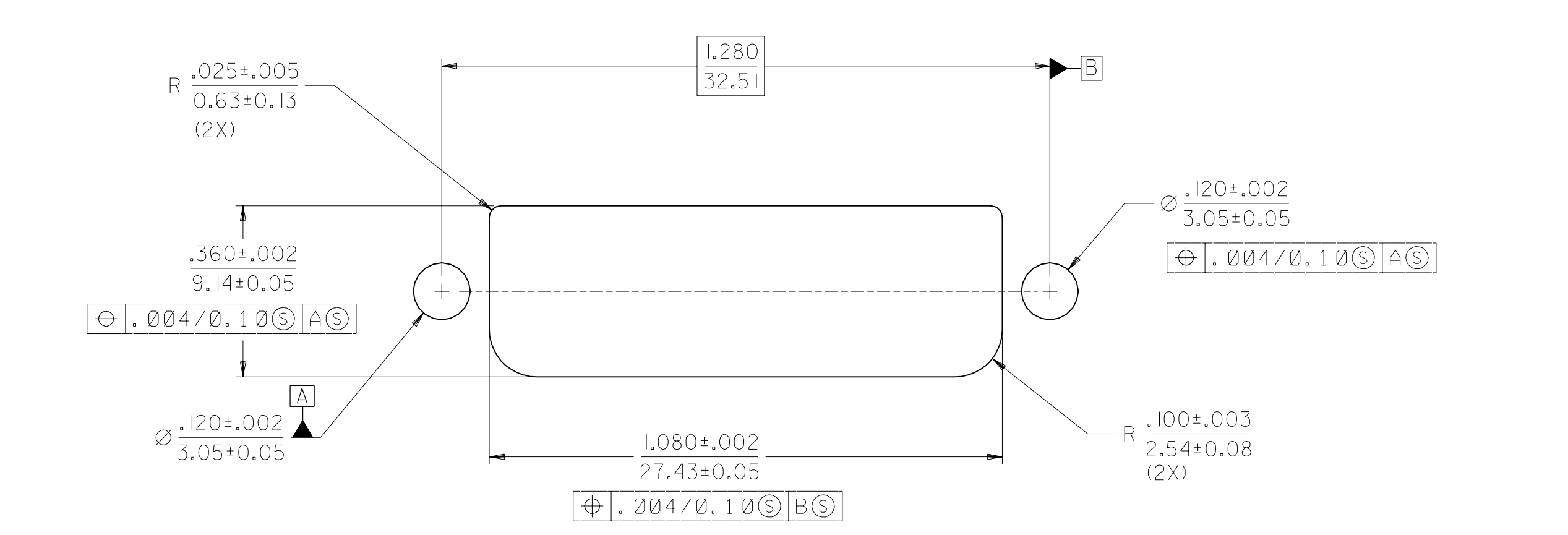
PLATING OPTIONS:

PLATING OPTION #1:

- OUTER SHIELD -- 150u"/(3.75um) MIN. BRIGHT TIN OVER 50u"/(1.27um) MIN. NICKEL OVER COPPER FLASH.
- .075"/(1.91mm) CONTACTS -- 30u"/(0.75um) MIN. SELECT GOLD AND 100u"/(2.50um) MIN. SELECT PURE TIN OVER 50u"/(1.27um) MIN. NICKEL OVERALL.
- .100"/(2.54mm) CONTACTS -- 30u"/(0.75um) MIN. SELECT GOLD AND 100u"/(2.50um) MIN. SELECT PURE TIN, OVER 50u"/(1.27um) MIN. NICKEL OVERALL.
- MICROCROSS GROUND -- 30u"/(0.75um) MIN. SELECT GOLD AND 100u"/(2.50um) MIN. SELECT PURE TIN, OVER 50u"/(1.27um) MIN. NICKEL OVERALL.

PLATING OPTION #2:

- OUTER SHIELD -- 150u"/(3.75um) MIN. BRIGHT TIN OVER 50u"/(1.27um) MIN. NICKEL OVER COPPER FLASH.
- .075"/(1.91mm) CONTACTS -- SELECT GOLD FLASH AND 100u"/(2.50um) MIN. SELECT PURE TIN OVER 50u"/(1.27um) MIN. NICKEL OVERALL.
- .100"/(2.54mm) CONTACTS -- SELECT GOLD FLASH AND 100u"/(2.50um) MIN. SELECT PURE TIN OVER 50u"/(1.27um) MIN. NICKEL OVERALL.
- MICROCROSS GROUND -- 30u"/(0.75um) MIN. SELECT GOLD AND 100u"/(2.50um) MIN. SELECT PURE TIN OVER 50u"/(1.27um) MIN. NICKEL OVERALL.



MODIFICATION EC NO. SH2004-0130 DRWN: DXUE 04/03/05 CHK: HARVEY 04/03/11 APPR: SHUANG 04/03/12	QUALITY SYMBOLS MAJOR $\nabla=0$ CRITICAL $\nabla c=0$	GENERAL TOLERANCES: (UNLESS SPECIFIED)		SCALE 4 : 1	DESIGN UNITS <input type="checkbox"/> mm <input checked="" type="checkbox"/> INCH	THIRD ANGLE PROJECTION	DIMENSIONS: <input type="checkbox"/> INCH ONLY <input checked="" type="checkbox"/> mm <input type="checkbox"/> INCH ONLY	SHT REV	
		4 PLACES $\pm 0.$ $\pm .$	3 PLACES $\pm 0.$ $\pm .010$	2 PLACES ± 0.25 $\pm .010$	1 PLACE ± 0.25 $\pm .010$	DRAWN BY & DATE MOSULLIV 99/02/12	TITLE: DVI - INTERGRATED RIGHT ANGLE RECEPTACLE CONNECTOR		
		ANGULAR: $\pm 1/2^\circ$				CHECKED BY & DATE MOSULLIV 99/02/12	MOLEX INCORPORATED		
		DRAFT WHERE APPLICABLE MUST REMAIN WITHIN DIMENSIONS				APPROVED BY & DATE NELLIGAN 99/02/15	CAD FILENAME SD7432001.S02	MATERIAL NO. SEE CHART	DRAWING NO. SD-74320-001
THIS DRAWING CONTAINS INFORMATION THAT IS PROPRIETARY TO MOLEX INCORPORATED AND SHOULD NOT BE USED WITHOUT WRITTEN PERMISSION.								SIZE C	