

PLEASE CHECK WWW.MOLEX.COM FOR LATEST PART INFORMATION

Part Number: [0673514007](#)
Status: **Active**
Description: MicroCross™ DVI-D Digital Visual Interface, PCB Receptacle, Glass-filled Polyester (PBT), Through Hole, Right Angle, Gold (Au) Flash, 24 Circuits, Lead Free

Documents:

[3D Model](#)
[Drawing \(PDF\)](#)

[RoHS Certificate of Compliance \(PDF\)](#)

General

Product Family	I/O Connectors
Series	67351
Application	Wire-to-Board
Comments	DDWG (Digital Display Working Group) Standard
Component Type	Receptacle
Product Name	MicroCross™DVI
Type	N/A

Physical

Boot Color	N/A
Circuits (Loaded)	24
Circuits (maximum)	24
Color - Resin	Ivory, Natural
Durability (mating cycles max)	100
Keying to Mating Part	Yes
Lock to Mating Part	Yes
Material - Metal	Copper Alloy
Material - Plating Mating	Gold
Material - Plating Termination	Tin
Material - Resin	Polyester
Number of Rows	3
Orientation	Right Angle
PC Tail Length (in)	0.123 In
PC Tail Length (mm)	3.12 mm
PCB Locator	Yes
PCB Retention	Yes
Packaging Type	Tray
Panel Mount	Yes
Pitch - Mating Interface (in)	0.075 In
Pitch - Mating Interface (mm)	1.91 mm
Pitch - Term. Interface (in)	0.075 In
Pitch - Term. Interface (mm)	1.91 mm
Plating min: Mating (µin)	2
Plating min: Mating (µm)	0.05
Plating min: Termination (µin)	100
Plating min: Termination (µm)	2.50
Polarized to Mating Part	Yes
Polarized to PCB	Yes
Ports	1
Surface Mount Compatible (SMC)	No
Temperature Range - Operating	-20°C to +85°C
Termination Interface: Style	Through Hole
Waterproof / Dustproof	No
Wire Size AWG	N/A

Electrical

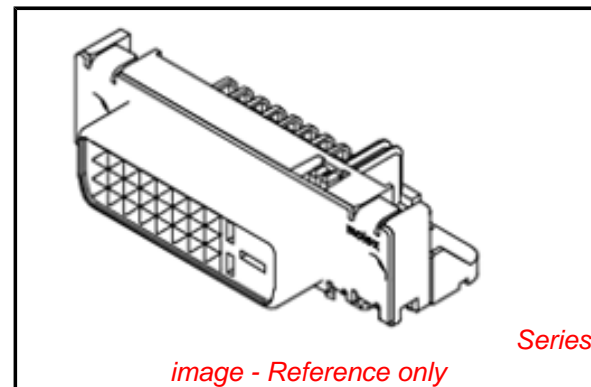


image - Reference only

EU RoHS

ELV and RoHS Compliant
REACH SVHC
 Not Reviewed
Halogen-Free Status

China RoHS



Not Reviewed

Need more information on product environmental compliance?

Email productcompliance@molex.com
 For a multiple part number RoHS Certificate of Compliance, [click here](#)

Please visit the [Contact Us](#) section for any non-product compliance questions.

Search Parts in this Series

[67351Series](#)

Mates With

[74323](#) MicroCross™ DVI Plug Components.
[88741](#) MicroCross™ DVI Cable Assemblies

Use With

[71781](#) Panel Mount Hex Screw Kit

Current - Maximum per Contact	3A
Grounding to Panel	Yes
Shield Type	Full Shield
Shielded	Yes
Voltage - Maximum	40V AC (RMS)

Material Info

Reference - Drawing Numbers

Packaging Specification	PK-74320-010
Sales Drawing	SD-67351-003

This document was generated on 06/07/2010

PLEASE CHECK WWW.MOLEX.COM FOR LATEST PART INFORMATION

DO NOT SCALE DRAWING

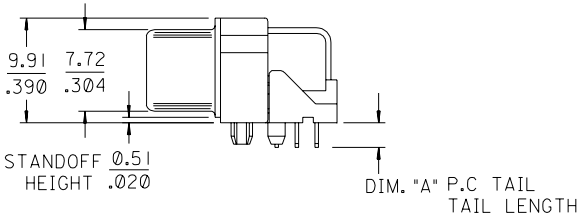
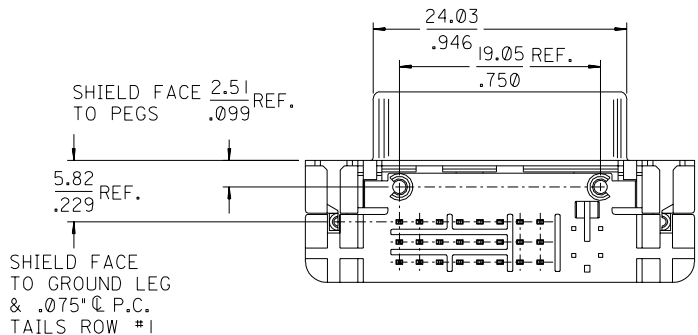
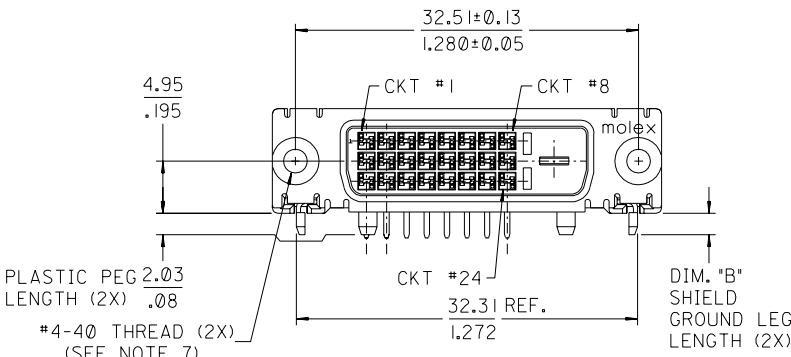
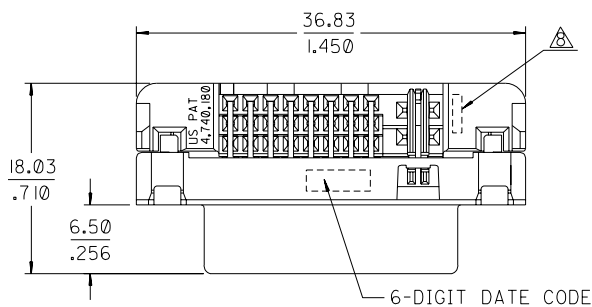
CADFILE NO: 56735103.S01

SIMILAR ITEM

EDP NO.

ENG. NO SEE CHART

8 7 6 5 4 3 2 1



- NOTES:
- MATERIALS:
SHIELD -- DEEP DRAW STEEL.
HOUSING -- GLASS FILLED POLYMER, NATURAL (IVORY WHITE), UL 94v-0.
TAIL ALIGNER -- GLASS FILLED POLYMER, NATURAL (IVORY WHITE), UL 94v-0.
CONTACTS -- COPPER ALLOY.
MICROCROSS GROUND -- COPPER ALLOY.
 - PLATING: SEE SHEET 2
 - PRODUCT CONFORMS TO MOLEX PRODUCT SPECIFICATION NUMBER PS-74320-001. REFER TO THIS SPECIFICATION FOR SPACING ON A P.C.B. OF TWO OR MORE CONNECTORS WHEN USING A CABLE OR AN ADAPTER ASSEMBLY.
 - SEE SHEET 2 FOR RECOMMENDED PANEL CUT-OUT AND P.C.B. LAYOUT.
 - PARTS WILL BE PACKAGED IN TRAYS PER PK-74320-010.
 - PRODUCT CONFORMS TO DDWG DVI SPECIFICATION. REFER TO THIS SPECIFICATION FOR CONNECTOR MATING DIMENSIONS.
 - RECOMMENDED MOUNTING HARDWARE IS MOLEX P/N : 88780-6066 OR 82007-0300. OR 71781-0001. REFER TO PRODUCT SPECIFICATION NUMBER PS-74320-001 FOR THE APPLICATION TORQUE REQUIREMENT FOR ASSEMBLING MOUNTING HARDWARE.
- △ CAVITY NO. AND MANUFACTURING PLANT CODE.

PART NUMBER	PLATING OPTION	DIM "A"	DIM "B"
67351-4000	1	2.34/.092	2.03±0.51
67351-4001	1	1.27/.050	.080±.020
67351-4002	1	2.79/.110	2.79/.110
67351-4003	1	3.12/.123	2.79/.110
67351-4004	2	2.34/.092	2.03±0.51
67351-4005	2	1.27/.050	.080±.020
67351-4006	2	2.79/.110	2.79/.110
67351-4007	2	3.12/.123	2.79/.110

REV	DESCRIPTION
F	

MODIFICATION
EC NO. SH2004-0129
DRWN: TXUE 2004/03/04
CHK: GRMA 2004/03/04
APPR: SAM 2004/03/04

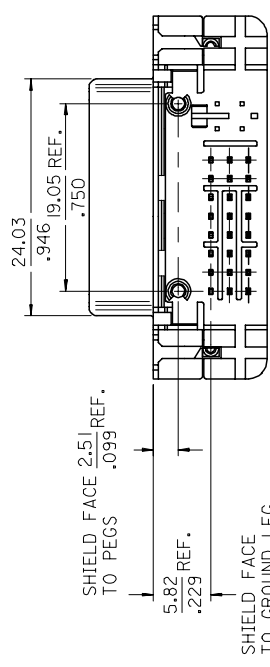
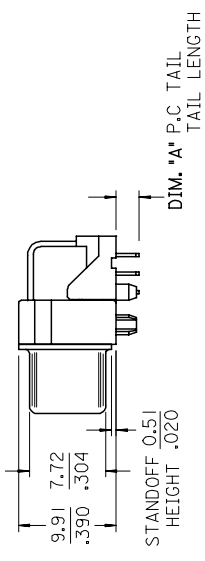
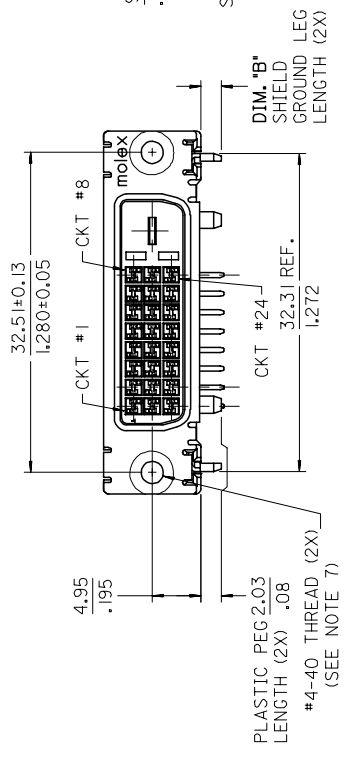
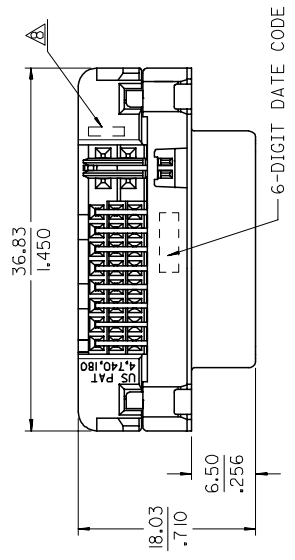
QUALITY SYMBOLS	GENERAL TOLERANCES: (UNLESS SPECIFIED)
MAJOR = 0	mm INCH
CRITICAL = 0	4 PLACES ± . ± .
	3 PLACES ± . ± .010
	2 PLACES ± 0.25 ± .010
	1 PLACE ± 0.25 ± .010
	ANGULAR: ± 3°
	DRAFT WHERE APPLICABLE MUST REMAIN WITHIN DIMENSIONS

SCALE 2:1	DESIGN UNITS <input checked="" type="checkbox"/> mm <input checked="" type="checkbox"/> INCH	THIRD ANGLE PROJECTION <input checked="" type="checkbox"/> mm <input type="checkbox"/> INCH <input type="checkbox"/> mm ONLY <input type="checkbox"/> INCH ONLY	SHT	REV
DRAWN BY & DATE GRACE 00/09/05		TITLE: DVI - DIGITAL RIGHT ANGLE RECEPTACLE CONNECTOR		
CHECKED BY & DATE SASHIN 00/09/05		MOLEX INCORPORATED		
APPROVED BY & DATE MLIN 00/09/05		CAD FILENAME SD67351003.S01	MATERIAL NO. SEE CHART	DRAWING NO. SD-67351-003
SHEET NO. 1 OF 2		THIS DRAWING CONTAINS INFORMATION THAT IS PROPRIETARY TO MOLEX INCORPORATED AND SHOULD NOT BE USED WITHOUT WRITTEN PERMISSION.		
SIZE A3				

NOTES:

- MATERIALS:
 SHIELD --- DEEP DRAW STEEL.
 HOUSING --- GLASS FILLED POLYMER, NATURAL (IVORY WHITE), UL 94V-0.
 TAIL ALIGNER --- GLASS FILLED POLYMER, NATURAL (IVORY WHITE), UL 94V-0.
 CONTACTS --- COPPER ALLOY.
 MICROCROSS GROUND --- COPPER ALLOY.
- PLATING: SEE SHEET 2
- PRODUCT CONFORMS TO MOLEX PRODUCT SPECIFICATION NUMBER PS-74320-001. REFER TO THIS SPECIFICATION FOR SPACING ON A P.C.B. OF TWO OR MORE CONNECTORS WHEN USING A CABLE OR AN ADAPTER ASSEMBLY.
- SEE SHEET 2 FOR RECOMMENDED PANEL CUT-OUT AND P.C.B. LAYOUT.
- PARTS WILL BE PACKAGED IN TRAYS PER PK-74320-010.
- PRODUCT CONFORMS TO DWG DVI SPECIFICATION. REFER TO THIS SPECIFICATION FOR CONNECTOR MATING DIMENSIONS.
- RECOMMENDED MOUNTING HARDWARE IS MOLEX P/N : 88780-6066 OR 82007-0300. OR 71781-0001. REFER TO PRODUCT SPECIFICATION NUMBER PS-74320-001 FOR THE APPLICATION TORQUE REQUIREMENT FOR ASSEMBLING MOUNTING HARDWARE.

⚠ CAVITY NO. AND MANUFACTURING PLANT CODE.



REV	DESCRIPTION
G	REVISE EC NO: SH2007-0732 DRW: XJ50N6 CHKD: J1AN APPR: JNCHEN 2007/06/05 2007/06/22

QUALITY SYMBOLS	GENERAL TOLERANCES (UNLESS SPECIFIED)	DIMENSION STYLE	SCALE	DESIGN UNITS	THIRD ANGLE PROJECTION
▷=0	4 PLACES ± --- INCH ± ---	MM/IN	2:1	INCH	THIRD ANGLE PROJECTION
◁=0	3 PLACES ± --- INCH ± .010	DRAWN BY: GRACE DATE: '00/09/05	TITLE: DVI-DIGITAL RIGHT ANGLE RECEPTACLE CONNECTOR		
	2 PLACES ± 0.25 INCH ± .010	CHECKED BY: SASHIN DATE: '00/09/05			
	1 PLACE ± 0.25 INCH ± .010	APPROVED BY: ML IN DATE: '00/09/05			
	ANGULAR ± 3 °	MATERIAL NO. SEE CHART			
	DRAFT WHERE APPLICABLE MUST REMAIN WITHIN DIMENSIONS	DOCUMENT NO. MOLEX INCORPORATED			

PART NUMBER	PLATING OPTION	DIM 'A'	DIM 'B'
67351-4000	1	2.347,092	2.03±0.51
67351-4001	1	1.277,050	.080±.020
67351-4002	1	2.797,110	2.797,110
67351-4003	1	3.127,123	2.797,110
67351-4005	2	1.277,050	.080±.020
67351-4016	2	2.797,110	2.797,110
67351-4007	2	3.127,123	2.797,110

10 9 8 7 6 5 4 3 2 1

F

F

PLATING OPTIONS:

PLATING OPTION #1:

OUTER SHIELD -- 150u"/3.75um MIN. BRIGHT TIN OVER
 50u"/(1.27um) MIN. NICKEL OVER COPPER FLASH,
 .075"/1.91mm CONTACTS -- 30u"/0.75um MIN. SELECT GOLD AND
 100u"/2.50um MIN. SELECT PURE TIN
 OVER 50u"/1.27um MIN. NICKEL OVERALL,

E

E

PLATING OPTION #2:

OUTER SHIELD -- 150u"/3.75um MIN. BRIGHT TIN OVER
 50u"/(1.27um) MIN. NICKEL OVER COPPER FLASH,
 .075"/1.91mm CONTACTS -- SELECT GOLD FLASH AND
 100u"/2.50um MIN. SELECT PURE TIN
 OVER 50u"/1.27um MIN. NICKEL OVERALL,

D

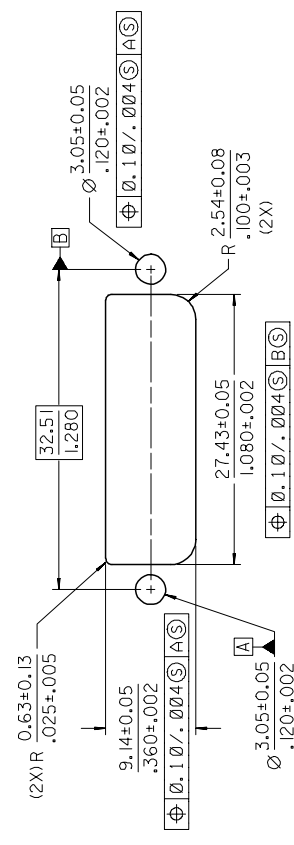
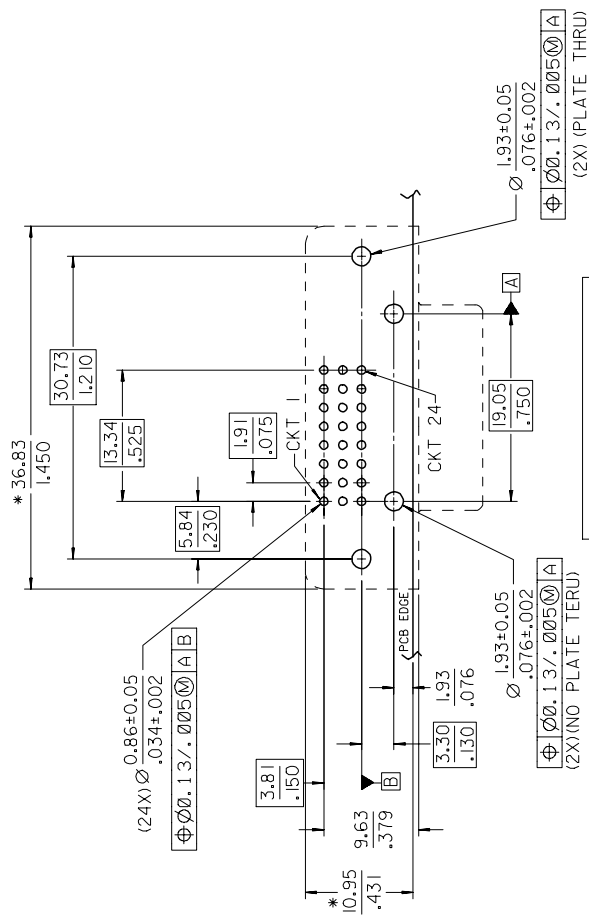
D

C

C

RECOMMENDED PCB LAYOUT

* THESE DIMENSIONS REPRESENT CONNECTOR OVERLAY ON PCB



RECOMMEND PANEL CUT-OUT
 PANEL THICKNESS: 0.76/.030 - 1.02/.040

QUALITY SYMBOLS	DESCRIPTION	REV
◀=0		
△=0		
	SEE SHEET 1	G
	EC NO: SH2007-0732	
	DRW: XJS086	
	CHKD: J1AN	
	APP: JNCHEN	
	2007/06/05	
	2007/06/22	

GENERAL TOLERANCES (UNLESS SPECIFIED)	DIMENSION STYLE	SCALE	DESIGN UNITS	THIRD ANGLE PROJECTION
4 PLACES ± ---	MM/IN	:1	INCH	THIRD ANGLE PROJECTION
3 PLACES ± ---	DRAWN BY	TITLE		
2 PLACES ± 0.25	GRACE	DVI-DIGITAL RIGHT ANGLE RECEPTACLE CONNECTOR		
1 PLACE ± 0.25	CHECKED BY			
ANGULAR ± 3 °	SASHIN			
	APPROVED BY			
	ML IN			
	DATE			
	'00/09/05			
	MATERIAL NO.			
	SEE CHART			
DRAFT WHERE APPLICABLE MUST REMAIN WITHIN DIMENSIONS	SD-67351-003			
	MOLEX INCORPORATED			
	SHEET NO.			
	2 OF 2			
	THIS DRAWING CONTAINS INFORMATION THAT IS PROPRIETARY TO MOLEX INCORPORATED AND SHOULD NOT BE USED WITHOUT WRITTEN PERMISSION			

9

8

7

6

5

4

3

2

1