

PLEASE CHECK WWW.MOLEX.COM FOR LATEST PART INFORMATION

Part Number: [0673511014](#)

Status: **Active**

Description: MicroCross™ DVI-I Digital/Analog Visual Interface, Panel Mount, Through Hole, Right Angle Receptacle, Gold (Au) Flash, Polyester (PBT), 2.34mm (.092") PC Tail Length, 29 Circuits, Lead Free

Documents:

[3D Model](#)

[Drawing \(PDF\)](#)

[RoHS Certificate of Compliance \(PDF\)](#)

General

Product Family	I/O Connectors
Series	67351
Application	Wire-to-Board
Comments	DDWG (Digital Display Working Group) Standard
Component Type	Receptacle
Product Name	MicroCross™DVI
Type	N/A

Physical

Boot Color	N/A
Circuits (Loaded)	29
Circuits (maximum)	29
Color - Resin	Ivory, Natural
Durability (mating cycles max)	100
Gender	Receptacle
Keying to Mating Part	Yes
Lock to Mating Part	Yes
Material - Metal	Copper Alloy
Material - Plating Mating	Gold
Material - Plating Termination	Tin
Material - Resin	Polyester
Number of Rows	3
Orientation	Right Angle
PC Tail Length (in)	0.092 In
PC Tail Length (mm)	2.34 mm
PCB Locator	No
PCB Retention	Yes
Packaging Type	Tray
Panel Mount	Yes
Pitch - Mating Interface (in)	0.050 In, 0.075 In
Pitch - Mating Interface (mm)	1.27 mm, 1.90 mm
Pitch - Term. Interface (in)	0.050 In, 0.075 In
Pitch - Term. Interface (mm)	1.27 mm, 1.90 mm
Plating min: Mating (µin)	2, 30
Plating min: Mating (µm)	0.05, 0.75
Plating min: Termination (µin)	100
Plating min: Termination (µm)	2.50
Polarized to Mating Part	Yes
Polarized to PCB	Yes
Ports	1
Surface Mount Compatible (SMC)	No
Temperature Range - Operating	-20°C to +85°C
Termination Interface: Style	Through Hole
Waterproof / Dustproof	No
Wire Size AWG	N/A

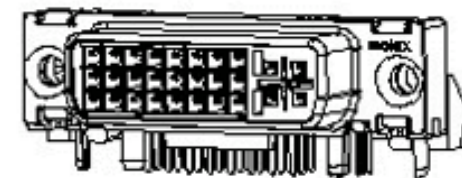


image - Reference only

Series

EU RoHS

**ELV and RoHS
Compliant**

REACH SVHC

Not Reviewed

Halogen-Free

Status

Not Reviewed

China RoHS



**Need more information on product
environmental compliance?**

Email productcompliance@molex.com
For a multiple part number RoHS Certificate of
Compliance, [click here](#)

Please visit the [Contact Us](#) section for any
non-product compliance questions.

Search Parts in this Series

[67351Series](#)

Mates With

[74323](#) MicroCross™ DVI Plug Components.

[88741](#) MicroCross™ DVI Cable Assemblies

Electrical

Current - Maximum per Contact	3A
Grounding to Panel	Yes
Shield Type	Full Shield
Shielded	Yes
Voltage - Maximum	40V AC (RMS)

Material Info**Reference - Drawing Numbers**

Packaging Specification	PK-74320-010
Sales Drawing	SD-67351-030

This document was generated on 06/07/2010

PLEASE CHECK WWW.MOLEX.COM FOR LATEST PART INFORMATION

DO NOT SCALE DRAWING

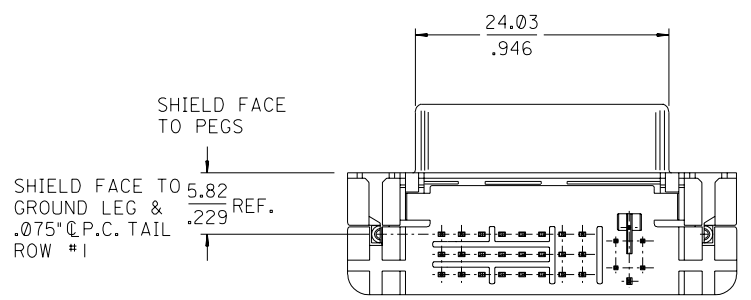
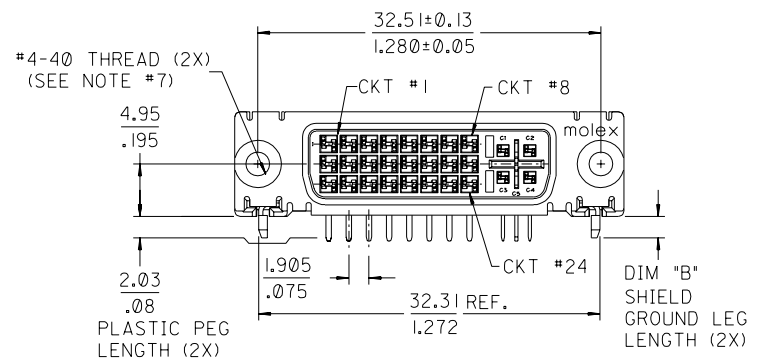
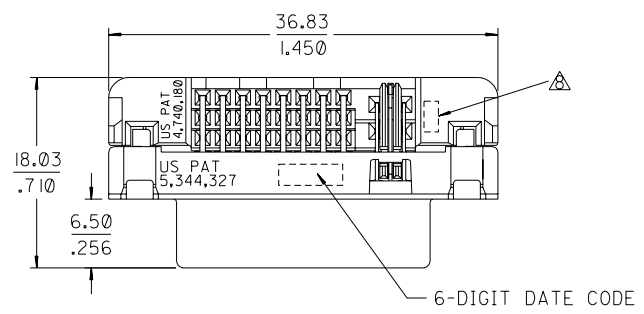
CADFILE NO. S6735101.S01

SIMILAR ITEM

EDP NO.

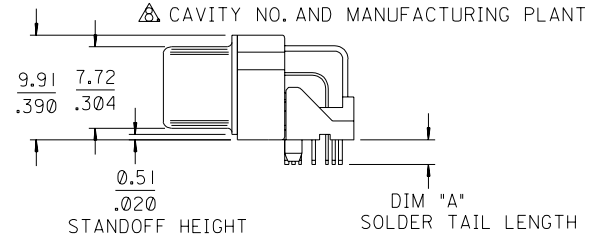
ENG. NO SEE CHART

8 7 6 5 4 3 2 1



NOTES:

- MATERIALS:
SHIELD -- DEEP DRAW STEEL.
HOUSING -- GLASS FILLED POLYMER, NATURAL (IVORY WHITE), UL 94v-0.
TAIL ALIGNER -- GLASS FILLED POLYMER, NATURAL (IVORY WHITE), UL 94v-0.
CONTACTS -- COPPER ALLOY.
MICROCROSS GROUND -- COPPER ALLOY.
 - PLATING: SEE SHEET 2
 - PRODUCT CONFORMS TO MOLEX PRODUCT SPECIFICATION NUMBER PS-74320-001. REFER TO THIS SPECIFICATION FOR SPACING ON A P.C.B. OF TWO OR MORE CONNECTORS WHEN USING A CABLE OR AN ADAPTER ASSEMBLY.
 - SEE SHEET 2 FOR RECOMMENDED PANEL CUT-OUT AND P.C.B. LAYOUT.
 - PARTS WILL BE PACKAGED IN TRAYS PER PK-74320-010.
 - PRODUCT CONFORMS TO DDWG DVI SPECIFICATION. REFER TO THIS SPECIFICATION FOR CONNECTOR MATING DIMENSIONS.
 - RECOMMENDED MOUNTING HARDWARE IS MOLEX P/N 71781-0001 OR 82007-0300 OR 88781-6066. REFER TO PRODUCT SPECIFICATION NUMBER PS-74320-001 FOR THE APPLICATION TORQUE REQUIREMENT FOR ASSEMBLING MOUNTING HARDWARE.
- △ CAVITY NO. AND MANUFACTURING PLANT CODE.



MODIFICATION	FC NO. SH2004-0129	QUALITY SYMBOLS	GENERAL TOLERANCES: (UNLESS SPECIFIED)		SCALE	DESIGN UNITS	THIRD ANGLE PROJECTION	DIMENSIONS:		SHT	REV	
	DRWN: TXUE 2004/03/05 CHK: GRMA 2004/03/05 APPR: SAM 2004/03/05		MAJOR	mm	INCH	2:1		mm	INCH	mm	mm	INCH
DESCRIPTION	C	REV	4 PLACES	± .	± .	DRAWN BY & DATE SITANG 01/01/18	CHECKED BY & DATE SASHIN 01/01/18	TITLE: DVI-INTERGRATED RIGHT ANGLE RECEPTACLE CONNECTOR				
			3 PLACES	± .	± .010							
			2 PLACES	± 0.25	± .010	CAD FILENAME SD67351030.S01		MATERIAL NO. SEE CHART	DRAWING NO. SD-67351-030	SHEET NO. 1 OF 2		
			1 PLACE	± 0.25	± .010	DRAFT WHERE APPLICABLE MUST REMAIN WITHIN DIMENSIONS		THIS DRAWING CONTAINS INFORMATION THAT IS PROPRIETARY TO MOLEX INCORPORATED AND SHOULD NOT BE USED WITHOUT WRITTEN PERMISSION.				
			ANGULAR: ±3°		SIZE A3							

PART NUMBER	DIM "A"	DIM "B"	PACKING
67351-1014	2.34/.092	2.03±0.51 .080±.020	PK-74320-010

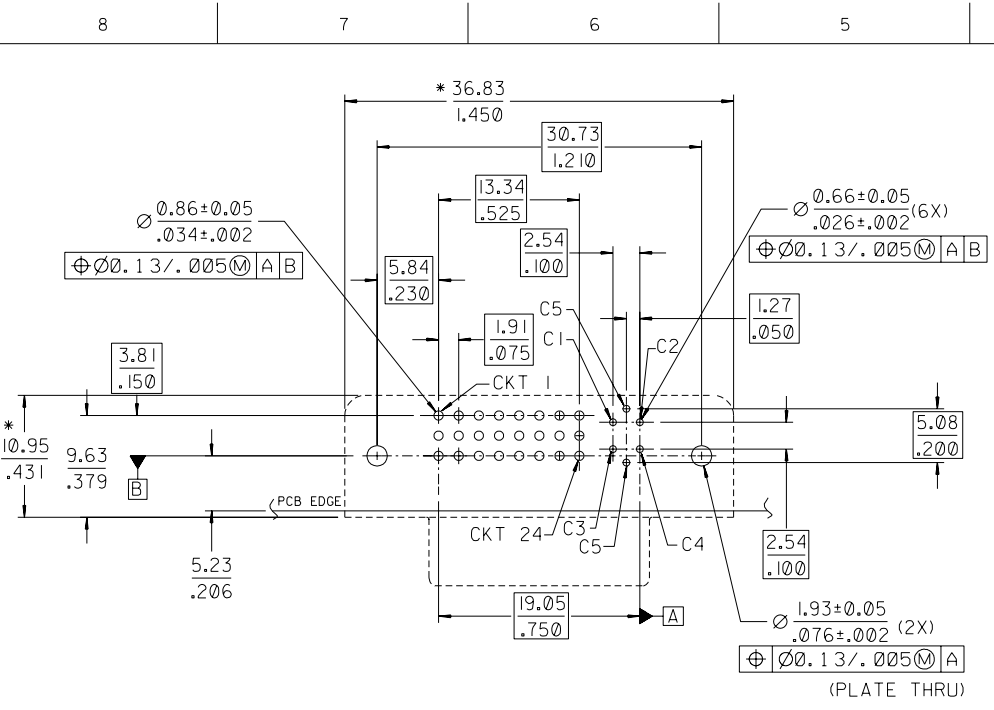
ENG. NO SEE CHART

EDP NO.

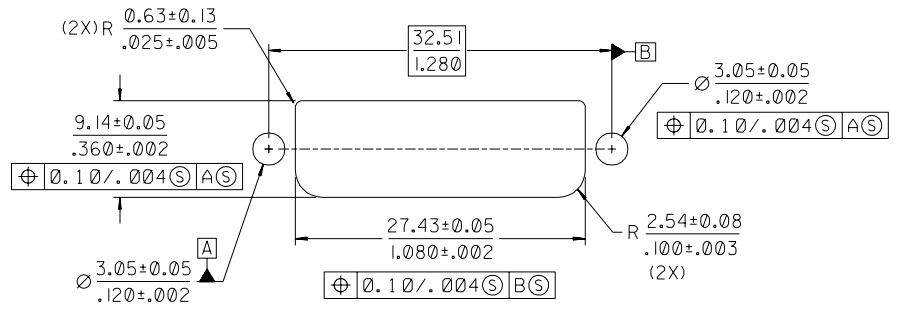
SIMILAR ITEM

CADFILE NO.:s673510.s02

DO NOT SCALE DRAWING



* THESE DIMENSIONS REPRESENT CONNECTOR OVERLAY ON PCB



RECOMMEND PANEL CUT-OUT
 PANEL THICKNESS: 0.76 / 0.30 - 1.02 / 0.40

PLATING :

- OUTER SHIELD -- 150u"/(3.75um) MIN. BRIGHT TIN OVER 50u"/(1.27um) MIN. NICKEL OVER COPPER FLASH.
- .075"/(1.91mm) CONTACTS -- SELECT GOLD FLASH AND 100u"/(2.50um) MIN. SELECT PURE TIN OVER 50u"/(1.27um) MIN. NICKEL OVERALL.
- .100"/(2.54mm) CONTACTS -- SELECT GOLD FLASH AND 100u"/(2.50um) MIN. SELECT PURE TIN OVER 50u"/(1.27um) MIN. NICKEL OVERALL.
- MICROCROSS GROUND -- 30u"/(0.75um) MIN. SELECT GOLD AND 100u"/(2.50um) MIN. SELECT PURE TIN OVER 50u"/(1.27um) MIN. NICKEL OVERALL.

MODIFICATION EC NO. SH2004-029 DRWNTXUE 2004/03/05 CHK: GRMA 2004/03/05 APPR: SAM 2004/03/05	QUALITY SYMBOLS MAJOR ∇ CRITICAL ∇	GENERAL TOLERANCES: (UNLESS SPECIFIED)		SCALE 2:1	DESIGN UNITS <input checked="" type="checkbox"/> mm <input checked="" type="checkbox"/> INCH	DIMENSIONS: <input checked="" type="checkbox"/> mm <input type="checkbox"/> INCH <input type="checkbox"/> mm ONLY	SHT REV
		4 PLACES ± . ± . 3 PLACES ± . ± .010 2 PLACES ± 0.25 ± .010 1 PLACE ± 0.25 ± .010	ANGULAR: ± 3°	DRAFT WHERE APPLICABLE MUST REMAIN WITHIN DIMENSIONS	THIS DRAWING CONTAINS INFORMATION THAT IS PROPRIETARY TO MOLEX INCORPORATED AND SHOULD NOT BE USED WITHOUT WRITTEN PERMISSION.	SIZE A3	
REV C	DESCRIPTION MAJOR ∇ CRITICAL ∇	TITLE: DVI-INTERGRATED RIGHT ANGLE RECEPTACLE CONNECTOR		MOLEX INCORPORATED		DRAWING NO. SD-67351-030	SHEET NO. 2 OF 2
RECOMMEND PANEL CUT-OUT PANEL THICKNESS: 0.76 / 0.30 - 1.02 / 0.40		CAD FILENAME SD67351030.S02		MATERIAL NO. SEE CHART		DRAWING NO. SD-67351-030	